

YOHO RESOURCES

149-35-07 TWO PHASE CENTRIFUGAL SEPARATOR

TABLE OF CONTENTS

VESSEL

- U-1A MANUFACTURER'S DATA REPORT
- REGISTRATION
- NAME PLATE COPY
- PRINT
- TRAVEL SHEET
- NDE REPORTS
- MILL TEST REPORTS

SCRUBBER

- U-3 MANUFACTURER'S DATA REPORT
- REGISTRATION
- NAME PLATE COPY
- PRINT
- TRAVEL SHEET
- NDE REPORTS
- MILL TEST REPORTS

SPOOLING

- AB-83 PIPING REGISTRATION
- PRINTS
- NON-DESTRUCTIVE TESTING
- METER RUN DOCUMENTATION
- PSV VALVE DOCUMENTATION

ASSEMBLY

- PROCESS AND INSTRUMENTATION DIAGRAM
- PIPING ARRANGEMENT DRAWING
- SKID DRAWING

FORM U-1A MANUFACTURER'S DATA REPORT FOR PRESSURE VESSELS
 (Alternative Form for Single Chamber, Completely Shop or Field Fabricated Vessels Only)
 As required by the Provisions of the ASME Code Rules, Section VIII, Division 1

A 577529

1. Manufactured and Certified by: MAR-QUINN INDUSTRIES LTD., 7115 SPARROW DRIVE, LEDUC, ALBERTA, CANADA, T9E 7L1
(Name and Address of Manufacturer)

2. Manufactured for: YOHO Resources Suite 750, 735-6 Avenue S.W. Calgary, AB. T2P 3T7
(Name and Address of Purchaser)

3. Location of installation: STOCK
(Name and Address)

4. Type: VERTICAL 149-35-07 U1252.2 #372 REV. A 2007
(Horiz. or Vert. tank) (Mfr's serial No.) (CRN) (Drawing No.) (Nat'l Bd. No.) Year Built

5. The chemical and physical properties of all parts meet the requirements of material specifications of the **ASME BOILER AND PRESSURE VESSEL CODE**. The design, construction, and workmanship conform to **ASME Rules**, Section VIII, Division 1 2004
Year

to 2006
Addenda (date) Code Case No.s Special Service per UG-120(d)

6. Shell: SA-106-B 0.594 0.0625 10 3/4" OD 52"
Mat'l (Spec. No., Grade) Nom. Thk. (In.) Corr. Allow. (In.) Diam. I. D. (ft. & In.) Length (overall) (ft. & In.)

7. Seams: SMLS NONE 100% TYPE# 1 SPOT, 70% 1
Long. (Welded, Dbl., Sngl., Lap, Butt) R. T. (Spot or Full) Eff. (%) H. T. Temp. (F) Time (hr.) Girth (Welded, Dbl., Sngl., Laps, or Full) R. T. (Spot, Eff. (%), or Full) No. of Course

8. Heads: (a) Mat'l SA-234-WPB (b) Mat'l SA-234-WPB
(Spec. No., Grade) (Spec. No., Grade)

Location (Top, Bottom, Ends)	Minimum Thickness	C.A.	Crown Radius	Knuckle Radius	Elliptical Radius	Conical Apex Angle	Hemispherical Radius	Flat Diameter	Side to Pressure (Convex or Concave)
(a) TOP	0.519"	0.0625"	-	-	2:1	-	-	-	CONCAVE
(b) BOTTOM	0.519"	0.0625"	-	-	2:1	-	-	-	CONCAVE

If removable, bolts used (describe other fastenings) _____
(Matl., Spec., No., Gr., Size., No.)

9. MAWP 1480 psi _____ psi at max. temp. 100 °F _____ °F
(internal) (external) (internal) (external)
 Min. design metal temp. -20 °F at 1480 psi. Hydro., pneu., or comb. test pressure Hydro, 2220 psi

10. Nozzles, inspection, and safety valve openings:

Purpose (Inlet, Outlet, Drain)	No.	Diam. Or Size	Type	Mat'l	Nom. Thk.	Reinforcement Mat'l	How Attached	Location
GAS IN,OUT/Insp.	2	2"NPS	CL600RFWN	SA105N/SA106-B	SCH 160	-	UW16.1(c)	SHELL/TOP HEAD
WATER LLC	1	2"NPT	CPLG	SA-105N	CL3000	-	UW16.1(a)	SHELL
WATER/ OUT,PSV	2	1"NPT	CPLG	SA-105N	CL6000	-	UW16.1(a)	SHELL
PI,TI,LG	4	3/4"NPT	CPLG	SA-105N	CL6000	-	UW16.1(a)	SHELL
DRAIN	1	1"NPS	THREADED	SA-106-B	SCH XXS	-	UW16.1(c)	BOTTOM HEAD

11. Supports: Skirts YES Lugs - Legs - Other - Attached: Bott. Head: welded
(Yes or No) (No.) (No.) (Where and How)

12. Remarks: Manufacturer's Partial Data Reports properly identified and signed by Commissioned inspectors have been furnished for the following items of the report:
(Name of part, item number, Mfr's name, and identifying stamp)
Vol: 2.52 cu. ft.. Construction Dwg.#1204-07-A Rev-2. Impact Test exempt per UG 20(f), 1 thru 5.
Separator Hydrostatic Test @ 2220psi NEW & COLD. Field Test @ 1924 psi. PSV by others.

CERTIFICATE OF SHOP / FIELD COMPLIANCE	
We certify that the statements made in this report are correct and that all details of design, material, construction, and workmanship of this vessel conform to the ASME Code for Pressure Vessels, Section VIII, Division 1. "U" Certificate of Authorization No. <u>33,420</u> expires <u>9-Jul-08</u>	
Date <u>11-May-07</u> Co. name: <u>Mar-Quinn Industries Ltd.</u> Signed <u>[Signature]</u>	<small>(Manufacturer) (Representative)</small>
CERTIFICATE OF SHOP / FIELD INSPECTION	
Vessel constructed by <u>Mar-Quinn Industries Ltd.</u> at <u>7115 - Sparrow Drive Leduc Alberta Can. T9E 7L1</u>	
I, the undersigned, hold a valid commission issued by the National Board of Boiler and Pressure Vessel Inspectors and/ or the State or Province of <u>Alberta</u> and employed by <u>ABSA</u>	
have inspected the component described in this Manufacturer's Data Report on <u>11-May-07</u> , and state that, to the best of my knowledge and belief, the Manufacturer has constructed this pressure vessel in accordance with ASME Code Section VIII, Division 1. By signing this certificate neither the inspector nor his employer makes any warranty, expressed or implied, concerning the pressure vessel described in this Manufacturer's Data Report. Furthermore, neither the Inspector nor his employer shall be liable in any manner for any personal injury or property damage or loss of any kind arising from or connected with this inspection.	
Date <u>11-May-07</u> Signed <u>[Signature]</u> Commissions <u>AB# 95A</u>	<small>(Authorized Inspector) (Nat'l Board Incl. Endorsement, State, Prov. And No.)</small>



9410 - 20 Ave N.W.
Edmonton, Alberta, Canada T6N 0A4
Tel: (780) 437-9100 / Fax: (780) 437-7787

May 11, 2007

Attention: Henry Liaz
MAR-QUINN INDUSTRIES LTD
7115 SPARROW DRIVE
LEDUC, AB T9E 7L1

Re: Design registration

The design submission, tracking number 2007-03049, originally received on April 27, 2007 was surveyed and accepted for registration as follows:

CRN : U1252.2

Accepted on: May 11, 2007

Reg Type: New Design

Drawing No. : 372 Rev A

Description	MAWP	Design Temperature	MDMT
Internal Pressure	10204 kPa	38°C	-29°C

An acceptance letter and a copy of the stamped drawing will be sent to you.

An invoice covering survey and registration fees will be forwarded from our Revenue Accounts.

If you have any question don't hesitate to contact me by phone at (780) 433-0281 ext 3329 or fax (780) 437-7787 or e-mail Fok@absa.ca.

Sincerely,

A handwritten signature in black ink, appearing to be 'Fok', is written above the typed name.

FOK, PO, P. Eng.
Design Survey Engineer

U
W
RT2

CERTIFIED BY



Ph. (780) 986-7805 Leduc, Alberta, Canada

1480 (10204) PSI (kPa) at 100 (38) °F (°C)
MAWP

() PSI (kPa) at () °F (°C)

Maximum allowable external working pressure

-20 (-29) °F (°C) at 1480 (10204) PSI (kPa)
MDMT

149-35-07

Serial Number

2007

Year built

ITEM	SEPARATOR.	SIZE	254 (mm) X	1321 (mm)
TYPE	VERTICAL	VOL.		0.071 (m ³)
CRN	U 1252.2	C.A.		1.6 (mm)
SHELL MAT'L	SA-106-B	NOM. SHELL THK.		15.1 (mm)
HEAD MAT'L	SA-234-WPB	MIN. SHELL THK.:		13.18 (mm)

CERTIFIED BY

MQ MAR-QUINN INDUSTRIES LTD

Ph. (780)986-7805 Leduc, Alberta, Canada

1480 (20204)PSI (kPa) at 100 (39)°F(°C)
MAWP

() PSI (kPa) at ()°F

Maximum allowable external working pressure

-20 (-29)°F(°C) at 1480 (20204)PSI (kPa)

MDMT

149-35-07

2007

Serial Number

Year Built

ITEM	SEPARATOR	SIZE	254 (mm)X	1321 (mm)
TYPE	VERTICAL	VOL.	0.071 (m ³)	
CRN	U 1252.2	C.A.	1.6 (mm)	
SHELL MAT'L SA	106-B	NOM. SHELL THK	15.1 (mm)	
HEAD MAT'L SA	254-WPB	MIN. SHELL THK	13.18 (mm)	

A5(1029)

77120



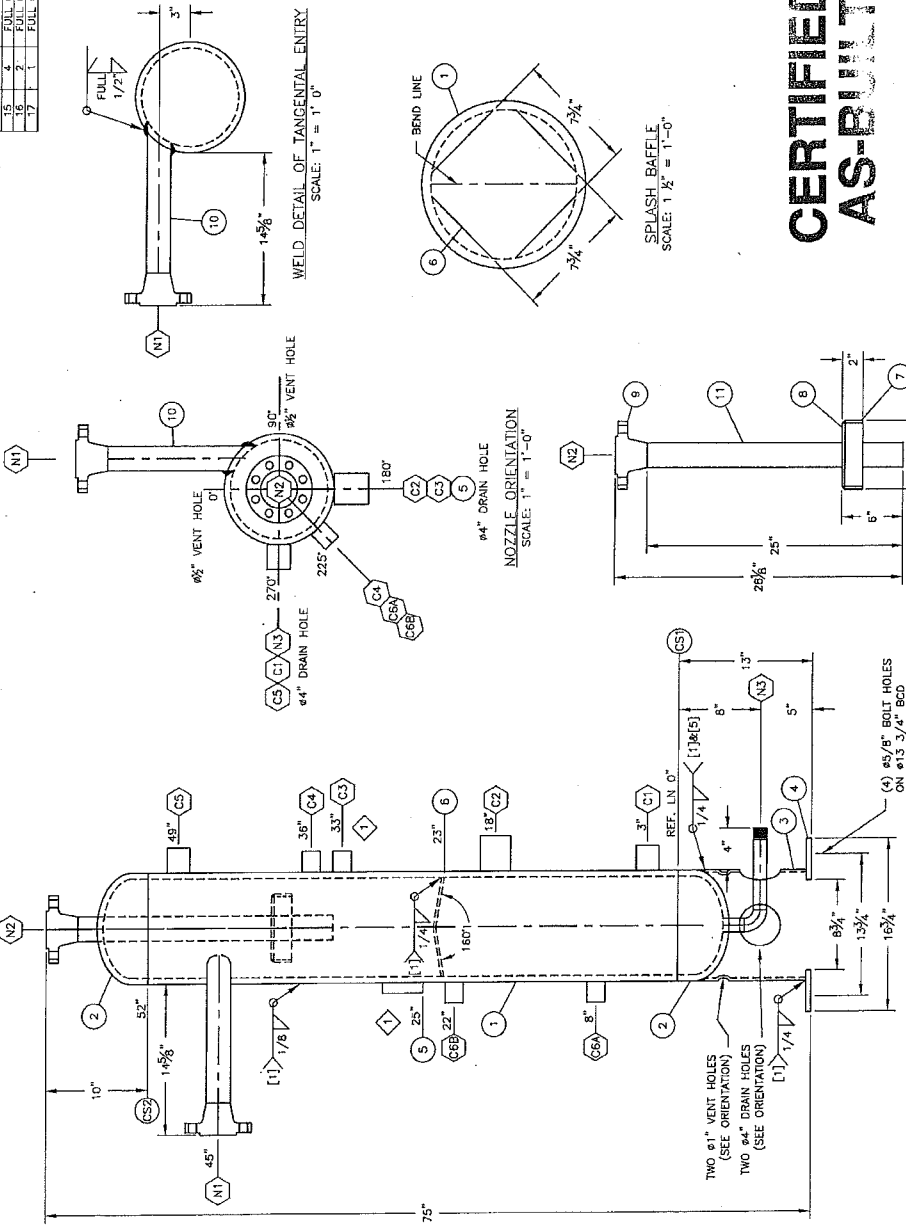
W
RT2

BILL OF MATERIALS FOR 149-35-07-A S/N:149-35-07 CONST. DWG:1204-07-A

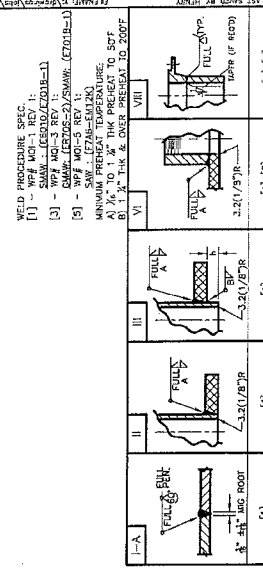
ITEM	QTY	PART	DESCRIPTION	MATERIAL	REMARKS
1	1	SHELL	#10 3/4" OD SCH 80 PIPE (0.594 THK NOM) X 52" LG	SA-106-B	
2	2	HEAD	2" CAP #10 3/4" OD SCH 80 (0.594 THK NOM) X 52" LG	SA-106-B	
3	1	FLANGE	2" NPS SCH 160 (0.344 THK) X 14 3/4" LG	SA-106-B	
4	1	NOZZLE	2" NPS SCH 160 (0.344 THK) X 25" LG	SA-106-B	
5	1	WASHER	1/2" X 3/4" X 3/16" PLATE (USE DETAIL)	SA-106-B	
6	1	NUT	1/2" X 3/4" X 3/16" PLATE (USE DETAIL)	SA-106-B	
7	1	WASHER	1/2" X 3/4" X 3/16" PLATE (USE DETAIL)	SA-106-B	
8	1	NUT	1/2" X 3/4" X 3/16" PLATE (USE DETAIL)	SA-106-B	
9	2	FLANGE	2" NPS SCH 160 (0.344 THK) X 14 3/4" LG	SA-106-B	
10	1	NOZZLE	2" NPS SCH 160 (0.344 THK) X 25" LG	SA-106-B	
11	1	NOZZLE	2" NPS SCH 160 (0.344 THK) X 25" LG	SA-106-B	
12	1	NOZZLE	2" NPS SCH 160 (0.344 THK) X 25" LG	SA-106-B	
13	1	NOZZLE	2" NPS SCH 160 (0.344 THK) X 25" LG	SA-106-B	
14	1	NOZZLE	2" NPS SCH 160 (0.344 THK) X 25" LG	SA-106-B	
15	4	FLANGE	2" NPS SCH 160 (0.344 THK) X 14 3/4" LG	SA-106-B	
16	1	NOZZLE	2" NPS SCH 160 (0.344 THK) X 25" LG	SA-106-B	
17	1	NOZZLE	2" NPS SCH 160 (0.344 THK) X 25" LG	SA-106-B	

NOZZLE SCHEDULE

NOZZLE NUMBER	QTY	SIZE	SCH.	RATING & FACING	SERVICE	PROJECTION	WELD SIZE	WELD DETAIL	BOX ITEM
N1	1	2"	180	CL6000 RFWN	GAS INLET	OUTSIDE AS SHOWN	3/8"	VI	9.10
N2	1	2"	180	CL6000 RFWN	GAS OUTLET	AS SHOWN	3/8"	VI	7.6, 8.11
N3	1	1"	XXS	TOE	DRAIN WATER INSPECTION	AS SHOWN	3/8"	VI	12.13, 14
C1	1	1"	---	CL6000 FC	WATER	NO THREADS ON SHELL	3/8"	VI	16
C2	1	3/4"	---	CL6000 FC	WATER	NO THREADS ON SHELL	3/8"	VI	17
C3	1	3/4"	---	CL6000 FC	PI	---	3/8"	VI	15
C4	1	3/4"	---	CL6000 FC	PI	---	3/8"	VI	15
C5	1	3/4"	---	CL6000 FC	PSI/INSPECTION	---	3/8"	VI	16
C6A	1	3/4"	---	CL6000 FC	WATER LG	---	3/8"	VI	15
C6B	1	3/4"	---	CL6000 FC	WATER LG	---	3/8"	VI	15



- NOTES:**
- IMPACT TESTING EXEMPT PER UG-20(f) 1 TO 5.
 - LOADINGS APPLIED AS PER UG-22(g), (b), & (d).
 - FABRICATION TOLERANCES SHALL BE IN ACCORDANCE WITH MAR QUINN INDUSTRIES LTD. STANDARD VESSEL TOLERANCES PER OCC 10-4.
 - ATTACHMENTS WITH NO WELD DETAIL OR SYMBOL SHALL BE ATTACHED BE A 1/4" MILLER LOG USING NPS: M0-1 REV 1.
 - EXCESS MATERIAL SHALL BE REMOVED FROM EDGES OF OPENINGS WITHOUT A MINIMUM RADIUS. RADIUS SHALL BE CHANGED TO A 1/8" MINIMUM ON ROUNDED TO A 1/8" MINIMUM.
 - NOZZLE HOLES IN SHELL FOR 2" COUPLING SHALL BE DRILLED 2" ID.
 - ALL CIRCUMFERENTIAL SHELL & HEAD WELDS SHALL BE PER WELD DETAIL 1-A.
 - REFERENCE DRAWING NO: J72 REV A, CRNK U1252.2
 - VESSEL CAN BE HYDROTESTED WITH PIPING TO 1.5 X DP = 2220 PSI.



DESIGN DATA

W RT2

DESIGN & FABRICATE TO CODE: ASME SEC. VIII DIV. 1 2004 ED. 06 ADD.

DESIGN TEMPERATURE: 100°F C.A.: 1716°

DESIGN PRESSURE: 1480 PSI EFFICIENCY: 0.7 [PER UW-12(d)]

M.D.M.T.: -20°F @ 1480 PSI P.W.H.I.: NO

RADIOGRAPHY: CIRC SEAM: UW-11(g), 5(b) OVERALL LENGTH: 75"

HYDRO TEST PRESSURE: 2220 PSI - NOTE 9 VOLUME: 2.52 CU. FT

WEIGHT EMPTY: 520 LB. WEIGHT FULL OF WATER: 677 LB.

ALL BOLTS TO STRADDLE CENTER LINES UNLESS OTHERWISE NOTED.

CERTIFIED AS-BUILT

MAR-QUINN INDUSTRIES LTD.

7115 Sparrow Drive, Leduc, Alberta T9C 7L1
 PH: (780) 982-7825 FAX: (780) 980-2854

PROJECT MANAGER: S/N:149-35-07 CONST. DWG:1204-07-A

DATE: May-11-2007

AS NOTED

SCALE: 1" = 1'-0"

NO. OF SHEETS: 5

TOTAL: 5

AS-BUILT DRAWINGS

REV.	DATE	DESCRIPTION
1	05/05/07	ISSUED FOR APPROVAL
2	04/27/07	CHANGED HYDROTEST PRESSURE NOTE 9
3	04/27/07	CHANGED C3 & ITEM 5 ELEVATION
4	04/27/07	ISSUED FOR CONSTRUCTION
5	04/27/07	ISSUED FOR APPROVAL

MAR-QUINN INDUSTRIES LTD
TRAVEL SHEET

DO NOT START CONSTRUCTION WITHOUT AI REVIEW					TRAVEL SHEET REVISION NO.:				
AI REVIEW: <u>HB</u>					REVIEW DATE: APR 30 2007				
SERIAL NO.: <u>149-35-07</u> JOB NO.: <u>1204</u>					VESSEL TYPE: <u>2 Phase Centrifugal Separator</u>				
DRAWING NO.: <u>1204-07-A</u> DWG. REVISION NO.: <u>1</u>					TRAVEL SHEET INITIATION BY: <u>Dan deGroot</u>				
Seq.	Item	Comments	Q.C.I.	Date	A.I. Hold Points	A.I.	Date	Owner	Date
1.	Calculations in File		DD	04/30/07					
2.	Release of App'd Dwg.		DD	04/30/07					
3.	Heat Numbers Recorded		DD	05/01/07	R	HB	MAY 01 2007		
4.	MTRs Checked		DD	05/01/07	R	HB	MAY 01 2007		
5.	WPS(s) Checked		DD	04/30/07					
6.	Welder(s) Qualified		DD	05/01/07					
7.	Thicknesses Verified & Recorded		DD	05/03/07					
8.	Shell(s) & Head(s) Fit-up Inspection		DD	05/03/07					
9.	Nozzles & Fittings Fit-up Inspection		DD	05/03/07					
10.	<u>Layout</u>		DD	04/30/07					
11.	Nozzle & Flange Rating Checked		DD	05/03/07					
12.	Impact Tests	N/A	—	—					
13.	Internals Checked		DD	05/03/07	H				
14.	Final Internal Inspection	Shell Side Tube Side	DD	05/03/07	H	HB	MAY 01 2007		
15.	Weld Size Checked		DD	05/03/07					
16.	Welder I.D. Checked		DD	05/03/07					
17.	Final External Inspection		DD	05/03/07	I	HB	MAY 04 2007		
18.	Radiography	UW11(a) 5(b)	DD	05/03/07	R	HB	MAY 04 2007		
19.	Other N.D.E.		—	—					
20.	Final Ext. Prior to P.W.H.T.	N/A	—	—					
21.	PWHT Chart Checked		—	—					
22.	Hydrostatic Test	Shell Side Gauge # F-2 Tube Side Gauge # F-3	DD	05/04/07	H	HB	MAY 04 2007		
23.	CRN Drawing <u>372RevA</u>	CRN# <u>U1252.2</u>							
24.	N.C.R. #		—	—					
25.	Nameplate Stamping		DD	05/04/07	R	HB	MAY 11 2007		
26.	Manuf. Data Report Completed & Verified		DD	05/11/07	R	HB	MAY 11 2007		
27.	Nameplate Installation		DD	05/09/07					

The Authorized Inspector shall be presented with the Travel Sheet prior to construction so that he can designate additional inspection points and/or Hold Points. Any revisions shall be marked with a delta symbol with revision number and described at the bottom of this page.

* Denotes an A.I. Inspection Point ** Denotes an A.I. Hold Point

MAR-QUINN INDUSTRIES LTD TRAVEL SHEET

MATERIAL THICKNESS VERIFICATION AND IDENTIFICATION				WELD I.D. / WELDER SYMBOLS / FIT-UP		
Description	Thickness	Material Spec. & Grade	Heat & Slab Number or I.D. Number	Weld I.D.	Symbol	Fit-Up
Shell #1	0.594	SA-106-B	23790 ✓			
Shell #2						
Shell #3						
Shell #4						
Shell #5						
Shell #6						
Head #1	0.594	SA-234-WPB	06M30012 ✓			
Head #2	0.594	SA-234-WPB	06M30012 ✓			
Head #3						
Head #4						
Boot #1 Shell						
Boot #1 Head						
Boot #2 Shell						
Boot #2 Head						
SKIRT	1/4"	SA-53-B-ERW	62022LD			

ATTACHMENT AND / OR NOZZLE MATERIAL THICKNESS VERIFICATION AND IDENTIFICATION						WELDER SYMBOLS / FIT-UP			
Mark	Mat. I.D.	Neck	Fitting	Flange	Repad or Attachment	Cat. B	Cat. C	Cat. D	Pad OD
N1	Spec.-Grd.	SA-106-B		SA-105N					
	Thk./Rating	2" SCH 160		2" CL600/160					
	Heat# or ID	742037							
N2	Spec.-Grd.	SA-106-B		SA-105N					
	Thk./Rating	2" SCH 160		2" CL600/160					
	Heat# or ID	742037		47278					
N3	Spec.-Grd.	SA-106-B	SA-234-WPB	SA-106-B					
	Thk./Rating	1" SCH XXH	1" 90° XXS.	1" XXS Drain pipe.					
	Heat# or ID	424638		424638					
C1	Spec.-Grd.								
	Thk./Rating								
	Heat# or ID								
C2	Spec.-Grd.								
	Thk./Rating								
	Heat# or ID								
C3	Spec.-Grd.								
	Thk./Rating								
	Heat# or ID								
C4	Spec.-Grd.								
	Thk./Rating								
	Heat# or ID								
C5	Spec.-Grd.								
	Thk./Rating								
	Heat# or ID								

MAR-QUINN INDUSTRIES LTD
TRAVEL SHEET

JOB #: 149-35-07

ATTACHMENT AND / OR NOZZLE MATERIAL THICKNESS VERIFICATION AND IDENTIFICATION						WELDER SYMBOLS / FIT-UP			
Mark	Mat. I.D.	Neck	Fitting	Flange	Repad or Attachment	Cat. B	Cat. C	Cat. D	Pad OD
C1	Spec.-Grd.	M37077	5A-105N						
	Thk./Rating		1" CL6000						
	Heat# or ID	3520							
C2	Spec.-Grd.	M37078	5A-105N						
	Thk./Rating		2" CL3000						
	Heat# or ID	78092							
C3	Spec.-Grd.	M37077	5A-105N						
	Thk./Rating		3/4" CL6000						
	Heat# or ID	3600							
C4	Spec.-Grd.	M37077	5A-105N						
	Thk./Rating		3/4" CL3000						
	Heat# or ID	3600							
C5	Spec.-Grd.	M37077	5A-105N						
	Thk./Rating		1" CL6000						
	Heat# or ID	3729							
C6 A/B	Spec.-Grd.	M37077	5A-105N						
	Thk./Rating		3/4" CL6000						
	Heat# or ID	3600							
C7	Spec.-Grd.	N/A	5A-105N						
	Thk./Rating	N/A	1" CL6000						
	Heat# or ID	N/A							
C8	Spec.-Grd.	N/A	5A-105N						
	Thk./Rating	N/A	2" CL3000						
	Heat# or ID	N/A							
C9 A	Spec.-Grd.	N/A	5A-105N						
	Thk./Rating	N/A	3/4" CL6000						
	Heat# or ID	N/A							
C9 B	Spec.-Grd.	N/A	5A-105N						
	Thk./Rating	N/A	3/4" CL6000						
	Heat# or ID	N/A							
C10 A	Spec.-Grd.	N/A	5A-105N						
	Thk./Rating	N/A	3/4" CL6000						
	Heat# or ID	N/A							
C10 B	Spec.-Grd.	N/A	5A-105N						
	Thk./Rating	N/A	3/4" CL6000						
	Heat# or ID	N/A							
C11	Spec.-Grd.	N/A	5A-105N						
	Thk./Rating	N/A	2" CL3000						
	Heat# or ID	N/A							
	Spec.-Grd.								
	Thk./Rating								
	Heat# or ID								



DESIGN • FABRICATION

7515 Sparrow Drive, Leduc Alberta T9E 7L1

Phone (780) 986-7805

Fax (780) 786-2854

CERTIFICATION OF HYDRO TEST

Date: May 4 2007

Customer: YOTO resources

Job # 149-35-07

Vessel: 10 3/4" OD x 52" 5/8 Vert. Sep. @ Piping.

Test Pressure 2220 psig | Actual, 2220 psi.

Test Gauge Numbers: F-2 / F-3

Test Temperature: ambient 15°C / 60°F.

Test Results: pass.

Sturquist
Signature

May 4 2007.
Date

Comments:

Hydro testing was in compliance with:

- ASME Code, Section VIII-1, 2004 Edition, 2006 Addenda.
- ASME B31.3 _____ Edition.

149-35-07

HT# 23790 ITEM #1 SHELL

Tubos de Acero de México, S.A.
 Km 02.7 Carr. México-Toluca
 Vía 2000
 591697 Veracruz, Vir. México
 (52) 229 983 1108 tel
 (52) 229 983 1120 fax

INSPECTION CERTIFICATE 3.1
 Number/Numero: 05019822
 Page/Página: 3/6
 Date/Dia: 23/08/2005

Customer's Order / Orden del Cliente: EN 10204 3.1
 Customer's Order / Orden del Cliente: 484103-00
 Product / Producto: LANE PIPE SEAMLESS
 CONDUCCION
 Length / Longitud: 13.41 MTS
 33.82 / 110.76 FT
 Weight / Peso Nominal: 63.291.000 KG
 140.43 LB/FT
 Heat / Calentamiento: 273.10 X 15.10 MM
 20 3/4 X 0.594 MPER
 Heat Treatment / Tratamiento: HSPRINDER 2892
 Heat / Calentamiento: 273.10 X 15.10 MM
 20 3/4 X 0.594 MPER
 Heat Treatment / Tratamiento: HSPRINDER 2892

TECNOLOGICAL TEST / ENSAYOS TECNOLOGICOS

Heat N°	Sample N°	Flaming Test
23790	18543	GOOD/BUENO
23790	18544	GOOD/BUENO

CHEMICAL COMPOSITION / COMPOSICION QUIMICA

Element	Composition, % / Composición %										
	C	Mn	Si	P	S	As	Nb	Al	Ti	B	N
Heat	52	135	50	0.010	0.010	0.010	0.010	0.010	0.010	0.010	0.010
Sample N°	29	135	50	0.010	0.010	0.010	0.010	0.010	0.010	0.010	0.010
Min	29	135	50	0.010	0.010	0.010	0.010	0.010	0.010	0.010	0.010
Max	29	135	50	0.010	0.010	0.010	0.010	0.010	0.010	0.010	0.010

Material conforms to: SA 106B
 Code Edition & Addenda: 2004-3
 Name: JM
 Date: 08-21-06

M35537

Material conforms to: SA 106B
 Code Edition & Addenda: 2004-04
 Name: JM
 Date: 05/10/07

This certificate is valid only for the material specified in the order. It is not valid for other materials or for other quantities. The user is responsible for the correct use of the material. The user is responsible for the correct use of the material. The user is responsible for the correct use of the material.

OCT 04 2005

PO# 1332448 OR 2100
1552641
1129068



Tensas de Acaes de Mexico, S.A.
Km 413.7 Carr. Mexico-Vernon
VIA Xalapa
91697 Veracruz, Ver Mexico
82) 229 969 1100 tel
82) 229 969 1120 fax

INSPECTION CERTIFICATE 3.1
Number/Numero: 05019822
Page/Página: 1/6
Date/Dia: 23/08/2005

CUSTOMER'S REFERENCE: EN 10204 3.1
Customer's Reference / Referencia del cliente: 078622/05
Manufacturer's Work Order # / Orden de trabajo: 14810103-00

Manufacturer/Proceder: COIF LONDON
Product Type / Tipo de producto: LINE PILPS SEAMLESS
Laminado en caliente sin costura

Material / Especificación / Norma o especificación: GR 299
Code Grade / Grado de acero: GR 299

Quantity / Cantidad: 661,990 MTS
Nominal Weight / Peso Nominal: 63,291.000 KG
Length / Longitud: 2,171.863 FT
Tolerance / Dimensiones: 11.59 / 23.41 MTS
38.09 / 74.00 FT

TENSILE TEST / ENSAYOS DE TENSION

Heat # Cebada #	Specimen condition Condición de la probeta		Dimensions Dimensiones de la probeta		Temp de ensayo	Y. S.		U.T.S.		Elongation Alargamiento	
	Ls	Tl	Size Tamaño	Area Sección		Y.S.	U.T.S.	Y.S. / U.T.S	U.T.S		
23790	1954E	C/B	Rec	L	37.70 x 14.70	954.13	7A	46,832.63	72,267.82	0.64	4.5
23790	1954E	C/B	Rec	L	37.80 x 15.10	970.78	7A	47,991.76	72,641.97	0.65	4.4

TEST: Heat Treatment / Tratamiento Térmico: No. Elemento and Temporal / Temporal y porcentaje
 ST: As rolled / Sin tratar
 UTZ: After rolling / Después de laminación
 UTS: Minimum strength / Resistencia
 MTS: Minimum Length / Longitud
 Max: Minimum / Mínimo

UTS: Heat Treatment / Tratamiento Térmico: No. Elemento and Temporal / Temporal y porcentaje
 ST: As rolled / Sin tratar
 UTZ: After rolling / Después de laminación
 UTS: Minimum strength / Resistencia
 MTS: Minimum Length / Longitud
 Max: Minimum / Mínimo

Y.S.: Yield strength / Resistencia
 U.T.S.: Ultimate Tensile Strength / Resistencia Tensional
 Elongation: Elongation / Alargamiento

Y.S.: Yield strength / Resistencia
 U.T.S.: Ultimate Tensile Strength / Resistencia Tensional
 Elongation: Elongation / Alargamiento

07



Tenaris de México, S.A.
 Km 433.7 Carr. México-Veracruz
 Vía Xalapa
 (91997) Veracruz, Ver. México
 (52) 229 949 1300 Ext.
 (52) 229 949 1326 Ext.

INSPECTION CERTIFICATE 3.1

Number/Numero: **05019822**
 Page / Página: **2 / 6**
 Date/Día: **23/08/2005**

Customer / Cliente: **CCFF LONDON** C.A.S. S.A.
 Manufacturer's Works Order N° / Continuidad de Venta: **078622/05**
 Product Type / Tipo de producto: **SEAMLESS HOT ROLLING**
 Description / Descripción: **SEAMLESS HOT ROLLING**
 Standard or Specification / Normas e especificaciones: **SEAMLESS HOT ROLLING**
 Dimensions / Dimensiones: **CSA 2245, 1-02, SEPTEMBER 2002**
 Length / Longitud: **273.10 X 15.10 MM**
 Weight / Peso: **10 3/4 X 0.552 INCH**
 Material Grade / Grado de acero: **GR 29U**
 Quantity / Cantidad: **52 PCS/PZ**
 Nominal Weight / Peso Nominal: **661.950 MTS**
 Net Weight / Peso Neto: **63,291.000 KG**
 End / Extremos: **BISCELADO NORMAL BEVEL**

Through Wall Hardness / Dureza en el espesor

Heat/Coque	Min.	Max. 22.00	Required/Requerido	HRC	Max. 22.00
Sample/Muestra: 19545					
Orientation	1	2	3	Aver	Var
CODE	75.7	75.3	76.0	75.7	
UNIT/Unidad	1	1	1	1	
WAVE	75.2	75.8	76.2	75.7	
ORB	76.7	76.3	76.0	76.3	
TYPE N° / Tipo N°					
End C/B					

Heat/Coque: **19545**
 Sample/Muestra: **19545**
 Orientation: **1**
 CODE: **75.7**
 UNIT/Unidad: **1**
 WAVE: **75.2**
 ORB: **76.7**
 TYPE N° / Tipo N°:
 End C/B: **19545**

Through Wall Hardness / Dureza en el espesor (HV)

Heat/Coque	Min.	Max. 248.00	Required/Requerido	HRC	Max. 248.00
Sample/Muestra: 19545					
Orientation	1	2	3	Aver	Var
CODE	152.00	152.00	152.00	152.00	
UNIT/Unidad	1	1	1	1	
WAVE	147.00	153.00	143.00	147.00	
ORB	150.00	152.00	147.00	149.00	
TYPE N° / Tipo N°					
End C/B					

Heat/Coque: **19545**
 Sample/Muestra: **19545**
 Orientation: **1**
 CODE: **152.00**
 UNIT/Unidad: **1**
 WAVE: **147.00**
 ORB: **150.00**
 TYPE N° / Tipo N°:
 End C/B: **19545**

Heat/Coque: **19545**
 Sample/Muestra: **19545**
 Orientation: **1**
 CODE: **152.00**
 UNIT/Unidad: **1**
 WAVE: **147.00**
 ORB: **150.00**
 TYPE N° / Tipo N°:
 End C/B: **19545**



Tubos de Acero de México, S.A.
Km-43.7 Carr. México-Veracruz
Vía Xalapa
(519) 258 388 / 1100 tel
(52) 228 989 1120 fax

INSPECTION CERTIFICATE 3.1

EN 10204 3.1

CEN S.A.

Customer / Cliente	CEN S.A.	Customer's Reference / Referencia del cliente	078622/05
Manufacturer's Works Order N° / Orden de trabajo	4810103-00	Manufacturer's Works Order N° / Orden de trabajo	078622/05
Product Type / Tipo de producto	LINE PIPE SEAMLESS	Material / Material	YARNTSHEP
Standard or Specification / Norma o especificación	EN 10204 3.1	Finish / Acabado	BAÑIZADO
Dimensions / Dimensiones	273.10 X 15.10 MM	Ends / Extremos	NORMAL BEVEL
Quantity / Cantidad	63,291.000 KG	Weight / Peso Nominal	96.07 KG/M
Length / Longitud	38.00 / 24.00 FT	Weight / Peso	64.43 LB/FT

Manufacture by / Fabricado por: TAMSA Electric Steel Works / Fabricación de Acero Eléctrico Material from Mercury contamination / Material libre de contaminación de Mercurio No repair by welding / No reparado por soldadura Heat Treatment / Tratamiento térmico: Material as rolled / Sin tratamiento térmico Non destructive test / Control no destructivo: Satisfactory / Satisfactorio Inspection method / Método de inspección: - EMI - FWT - HSI - EN 10204-3.1	Results / Resultados Satisfactory / Satisfactorio
---	--

SUPPLEMENTARY INFORMATION / INFORMACION SUPLEMENTARIA

Manufactured by / Fabricado por: TAMSA
 Electric Steel Works / Fabricación de Acero Eléctrico
 Material from Mercury contamination / Material libre de contaminación de Mercurio
 No repair by welding / No reparado por soldadura
 Heat Treatment / Tratamiento térmico: Material as rolled / Sin tratamiento térmico
 Non destructive test / Control no destructivo: Satisfactory / Satisfactorio
 Inspection method / Método de inspección: - EMI - FWT - HSI -
 EN 10204-3.1

SCHEMATIC ACCORDING TO EN 10204 3.1: 2004
 MATERIAL ACCORDING TO EN 10204 3.1: 2004
 CHEMIST'S REPORT EN 10204 3.1: 2004

PCS	FT	KGS	TONS
52	2,171.883	561.990	63.291

This certificate is issued by a computerized system and is not valid if the original one, which upon receipt is responsible for any material or test allowed, is not accompanied by the original one. Any alteration made to this certificate will be considered as invalid.

Este certificado es emitido mediante un sistema computarizado y no es válido si no se acompaña con el original. Cualquier alteración a este certificado será considerada como inválida. En el certificado original de entrega se indica el número de control de calidad y el número de control de calidad de entrega. En caso de que el proveedor del material no sea el fabricante, cualquier alteración a este certificado será considerada como inválida.

DCA 777 04



Tobias de Azua de Mexico, S.A.
 Km 4.13.7 Carr. Mexico-Victoria
 Via Xolapa
 (52) 229 989 1100 tel
 (52) 229 989 1120 fax

INSPECTION CERTIFICATE 3.1

Number/Numero: **05019822**
 Page/Página: **6/6**
 Date/Dia: **23/08/2005**

Client/Cliente: CGE LONDON	Check one's Order / Cliente's Order - Item N°: 4810103-00	Manufacturer's Marks Other N° / Contenedor de Marca: 078622/05
Manufacturer's Product / Producto del Fabricante: SEAMLESS HOT ROLLING	Product Type / Tipo de producto: LINE PIPE SEAMLESS	Surface / Superficie: VARNISHED
LAMINADO EN CALIENTE SIN COSTURA	CONDUCCION	SABINIZADO
Standards of Specification / Normas de especificaciones: CSA 2245.1-02 - SEPTEMBER 2002	Size / Grade / Grupo de acero: GR. 290	Ends / Extremos: NORMAL BEVEL
Dimensions / Dimensiones: 273.10 X 13.10 MM	Quantity / Cantidad: 551.990 MTS	Nominal Weight / Peso Nominal: 96.07 KG/M
10 3/4 X 0.506 INCH	Length / Longitud: 21.59 / 13.41 MTS	64.43 LB/FT
	38.00 / 24.00 FT	



TANSA QUALITY DEPARTMENT SIGNATURE

CHIEF OF QUALITY CERTIFICATION DEPT.
 RESPONSABLE DE DESARROLLO DE CALIDAD
 HONORABLE ENVIADO A NILLA
[Signature]

THIS IS A COPY OF THE ORIGINAL CERTIFICATE. IT IS NOT VALID UNLESS IT IS SIGNED BY THE QUALITY DEPARTMENT. ANY ALTERATIONS OR ADDITIONS TO THE ORIGINAL CERTIFICATE WILL BE CONSIDERED INVALID.
 ESTE ES UN COPIA DEL ORIGINAL DEL CERTIFICADO. NO ES VALIDO SI NO ESTA FIRMADO POR EL DEPARTAMENTO DE CALIDAD. CUALQUIER MODIFICACIONES O ADICIONES AL ORIGINAL DEL CERTIFICADO SERAN CONSIDERADAS INVALIDAS.
 This certificate is not a declaration of origin nor may it be used as a declaration of origin.
 Este certificado no es una declaración de origen ni puede utilizarse como declaración de origen.
 TOTAIS QUALITY SYSTEM CERTIFIED N° 116950

149-35-07

ITEM#2 Top + Bottom Head

HT# 06M30012



Thai Benkan Co., Ltd.
58 Soi Watkrumai, Bangkru, Prayutaeong,
Samutprakarn, 10130 Thailand.

INSPECTION CERTIFICATE

TO EN10204 3.1

Purchaser: WESTLUND INDUSTRIAL SUPPLY

E-No. MA-785 Purchase Order No. 4810152 Job No.

D M Y Certificate No. 23/02/2007 T-2007200057 Rev.1

No.	MRG No. (Heat Identification No.)	Specification for Material Made from Seamless Pipe	Specification for Inspection	Visual Examination	Dimensional Inspection	Product & Size		Quantity	Heat Treatment (Note 1)	Hardness Actual Data
						ASTM A234-05/ASME SA234 WPB CSA Z245.11 GR241 CAT I NACE MR0175-2003	ASME B16.9-2003			
1	06M30012	C WPB 10 S80	*N	Good	Good	3	*N	3	*N	7519312 HB: 120 - 130
2	06N30015	C WPB 12 S80	*N			3	*N	3	*N	7510533 HB: 115 - 140
3										
4										
5										

Specification	Chemical Composition %											Tension Test #2			
	C	Si	Min	P	S	Cu	Ni	Cr	Mo	V	Nb	C.E.	YS	TS	E
Min.	X 100	X 100	X 100	X 1000	X 1000	X 100	X 100	X 100	X 100	X 1000	X 1000	X 100		MPa.	%
Max.		10	29										240	415	30
Material Heat No.	23		106	50	58	40	40	40	15	80	20			655	
1	548	14.4	20.3/65.5	13	8	2.9	2.4	2.2	0.9	5	<0	25	264	417	51
2	350	16.9	14.8	87.1	21	9	1	1.2	1.9	0.5	2	31	301	439	51
3															
4															
5															

M37398
Mat'l conforms to: SA234-05
Cuts Edition 3, Addendum 2004-01
Name: [Signature]
Date: 02/20/07

(Note 1) A: Hot formed with final temperature between 620°C-960°C, Air Cooling N: Normalizing 910°Cx0.5 HR, Air Cooling *N: Normalizing 910°Cx0.5 HR, Air Cooling S: Stress Relieving 675°Cx0.5 HR, Air Cooling *S: A Hot Finished Condition

VERIFIED BY [Signature]
WESTLUND [Signature]

Quality Assurance Manager
Thai Benkan Co., Ltd.

C.E. = C+Mn/6+(Cr+Mo+V)/5+(Ni+Cu)/15
We hereby certify that the product described herein has been manufactured in accordance with the specifications concerned and also with the purchaser's requirements and that the test results shown herein are correct.

* 1: "T" symbolized wall thickness in mm. * 2: YS Yield strength TS = Tensile strength E = Elongation

149-35-07

ITEM #3 SKIRT

HT# 8202220



MILL TEST CERTIFICATE

JINXI STEEL PIPE CO.,LTD
 Add: No.24 Xingqiang Street, Lienshan District, Heilongjiang,
 Liaoning Province, P.R.China
 TEL: 429-2125968 2182974 Fax: 429-2121901

CONSUMER	JINXI STEEL PIPE CO.,LTD	CONTRACT No.	-- --	PRODUCT	WELDED PIPE
RECEIVER				ACCORDING TO	ASTM A53

OUTSIDE DIAMETER (")	WALL THICKNESS (")	LENGTH (')	GRADE	MAKING METHOD	DELIVERE CONDITION
10	0.250	40	B	ERW	Weld Heat Treatment

Test NO.	CHEMICAL COMPOSITION TEST										MECHANICAL PROPERTIES				
	C (%)	Mn (%)	P (%)	S (%)	Cu (%)	Cr (%)	Mo (%)	Ni (%)	Y (%)	SAMPLE	Yield Strength (MPa)	Tension Strength (MPa)	Elongation (%)	SAMPLE	Tension Strength (MPa)
6202220	0.12	0.40	0.015	0.022	0.00	0.00	0.00	0.00	0.00	Transverse of Pipe Body	390	475	34	Welding Seam	485
FLATTERING	WELDING SEAM HEAT TREATMENT										VISUAL	DIMENSION	WEIGHT		
Qualified	Qualified										Qualified	Qualified	98	49.907L	

WE HERE CERTIFY THAT THE MATERIAL DESCRIBED HAS BEEN MANUFACTURED, TESTED IN ACCORDANCE WITH ABOVE STANDARD AND SPECIFICATION AND SATISFIED THE REQUIREMENTS.

Mat'l conforms to: SA 53B
 Code Edition & Addenda: 2004-5
 Name: [Signature]
 Date: 09-13-06

M35342

Mat'l conforms to: SA 53B
 Code Edition & Addenda: 2004-06
 Name: [Signature]
 Date: 09/08/07

W YOHO 149-35-07

FORM U-3 MANUFACTURER'S CERTIFICATE OF COMPLIANCE
COVERING PRESSURE VESSELS TO BE STAMPED WITH THE UM SYMBOL, SEE U-1(i)
As Required by the Provisions of the ASME Code Rules, Section VIII, Division 1

1. Manufactured and Certified by: Mar-Quinn Industries Ltd., 7115 Sparrow Drive, Leduc, Alberta, T9E 7L1
2. Manufactured for: YOHO Resources Suite 750,736- 6 Avenue S.W. Calgary AB. T2P 3T7
3. Location of installation: STOCK
4. Type: Vertical Scrubber 143-77-05
OH5060.2 275 Rev. A 2007
5. ASME Code, Setion VIII, Div. 1 2004, 2006

Item 6-11 incl. To be completed for single wall vessels, jackets of jacketed vessels, shell of heat exchangers, or chamber of multi-chamber vessels.
6. Shell (a) No. of course(s): 1 (b) Overall lengh (ft. & in.): 24 in.

Table with columns: Course(s), Material, Thickness, Long. Joint (Cat. A), Circum. Joint (Cat. A,B,& C), Heat Treatme. Row 1: 1, 6.625 in., 24 in., SA-106-B, 0.28, 0, Smls, NONE, 85%, #1, None, 70%, -

7. Heads: (a) (Mat'l Spec., No., Grade, or Type) H.T. - Time & Temp. (b) (Mat'l Spec., No., Grade, or Type) H. T. - Time & temp.

Table with columns: Location (Top, Bottom, Ends), Thickness, Radius, Elliptical, Conical, Hemispherical, Flat, Side To Pressure, Category A. Rows (a) Top, (b) Bottom.

If removable, bolts used (describe other fastening) (MAT'L Spec., No., Grade, Size, No.)

8. Type of jacket Jacket closure
If bar, give dimensions ; if bolted describe or sketch.

9. MAWP 600 psi at max. temp. 100 Min. design metal temp. -20 °F at 600 psi

10. Impact test Exempt as per UG 20(f) 1 thru 5

11. Hydro., pneu., or comb. Test press. 780 psi Proof test

12. Nozzles, inspection, and safety valve openings:

Table with columns: Purpose, No., Diam. Or Size, Flange Type, Material, Nozzle Thickness, Reinforcement, How Attached, Location. Rows for Inlet, Drain, and Outlet.

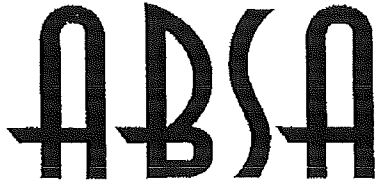
13. Supports: Skirts NO Lugs 0 Legs 0 Others Attached:

14. Manufacturer's Partial Data Report properly indentified and signed by Commissioned Inspectors have been fininished for the following items of the report: (List the name of part, item number, mfg's. name and identifying number)

15. Remarks: Vol. 0.51 cubic feet. Construction Dwg. 143-76-85-05-A Rev. 0

Hydrostatic test conducted in vertical position.

Certificate of Shop Compliance
We certify that the statements made in this report are correct and that all details of desigb, material, construction, and workmanship of this vessel conform to the ASME Code for Pressure Vessles, Section VIII, Division 1.
UM Certificate of Authorization No. 33,421 Expires 9-Jul-07
Date 3-May-07 Name Mar-Quinn Industries Ltd. Signed
Signed Randy S. Cottrell (Certified Individual)



Alberta Boilers Safety Association

#200, 4208 - 97 Street

Edmonton, Alberta, Canada T6E 5Z9

Tel: (780) 437-9100 / Fax: (780) 437-7787

March 18, 2002

Henry Liaz
MAR-QUINN INDUSTRIES LTD
7115 SPARROW DRIVE

LEDUC, AB T9E 7L1

Dear Henry Liaz,

The drawings, specifications and/or information received on March 01, 2002 are accepted for registration as follows:

CRN :	0H5060.2	Drawing No. :	275 Rev A
Fee :	\$ 75.00	Accepted on :	March 18, 2002
Add. Prints:	\$ 0	Track No. :	2002-01355
Reg Type :	New Design		
Fitting Desc:	SCRUBBER		

Description	Design Pressure	Design Temperature	MDMT
Internal Pressure	4137 kPa	38 ^o C	-29 ^o C

An invoice covering survey and registration fees will be forwarded from our Revenue Accounts.

Enclosed are stamped prints for your reference.

Sincerely,

PO FOK, P. Eng.
Design Survey Engineer

UM
W

CERTIFIED BY



Ph. (780) 986-7995 Leduc, Alberta, Canada

600 (4137) PSI (kPa) at 100 (381) °F (°C)
MAWP

-20 (-29) °F (°C) at 600 (4137) PSI (kPa)
MDMT

143-77-05

2007

SERIAL NO.

YEAR BUILT

ITEM	SCRUBBER	SIZE	152 (mm) x 610 (mm)
TYPE	VERTICAL	VOL.	0.014 (m ³)
C.R.N.	OH5060.2	C.A.	0 (mm)
SHELL MAT'L	SA-106-B	NOM. SHELL THK.	7.1 (mm)
HEAD MAT'L	SA-234-V/PPB	MIN. HEAD THK.	5.33 (mm)

CERTIFIED BY



Ph. (780)986-7805 Leduc, Alberta, Canada

600 (4137) PSI (kPa) at 100 (38) °F (C)

MAWP

() PSI (kPa) at () °F

Maximum allowable external working pressure

+20 (-29) °F (C) at 600 (4137) PSI (kPa)

MDMT

143-77-05

Serial Number

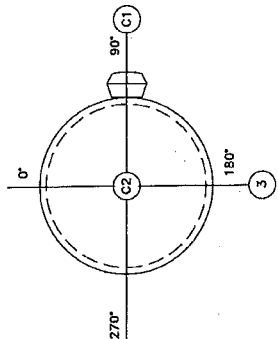
Year Built

ITEM	SCRUBBER	SIZE	152 (mm) X	610 (mm)
TYPE	VERTICAL	VOL		0.014 (m ³)
CRN	OH 5060-2	C.A.		(mm)
SHELL MATL	SA-106-S	NOM. SHELL THK.	7.6	(mm)
HEAD MATL	SA-234-WPS	MIN. SHELL THK.	5.6	(mm)

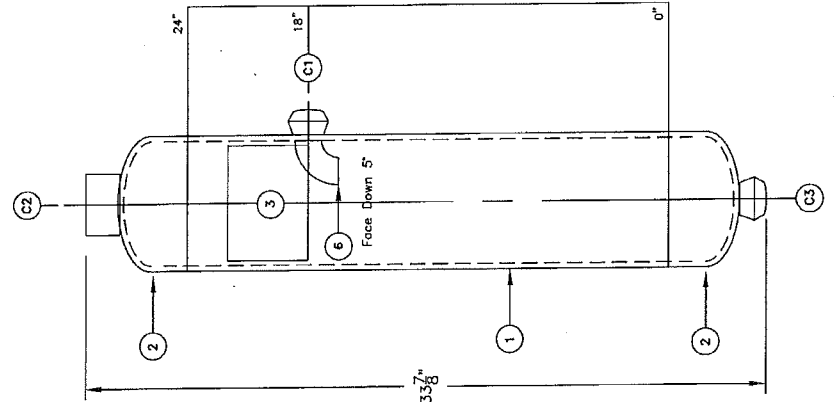
BILL OF MATERIALS		
ITEM QTY	DESCRIPTION	MATERIAL
1	1 SHELL, 6" NPS SCH 40 PIPE (0.28 W) 24" LONG	SA-105-B
2	2 HEAD, 6" NPS SCH 40 (0.28 W) WELD CAPS	SA-234-WPB
3	1 NAMEPLATE & BRACKET	304SS/SA-36
4	2 1" 3000# TOL	SA-105
5	1 2" 3000# HALF COUPLING	SA-105
6	1 1" LR 90° ELBOW SCH 40 INLET DIMETER	SA-234-WPB

NOZZLE SCHEDULE		WELD SIZE		WELD TYPE		WELD FIELD NUMBERS	
NOZZLE NUMBER	SCH. PAVING & SERVICE	PROJECTION IN	OUT	WELD SIZE	WELD TYPE	FIELD NO.	FIELD NO.
C1	1 1" 3000# TOL INLET	-	-	3/8"	W	4	4
C2	1 2" 3000# TOL INLET	-	-	3/8"	W	5	5
C3	1 1" 3000# TOL DRAIN	-	-	3/8"	W	4	4

WELD ATTACHMENT DETAILS	
<p>V1</p>	<p>V2</p>
<p>WPS</p> <p>ALL CIRCUMFERENTIAL SHELL AND HEAD WELDS SHALL BE PER WELD DETAIL V-4.</p>	



NOZZLE ORIENTATION



DESIGN DATA

DESIGN AND FABRICATE TO ASME CODE SECT VIII DIV 1 - 2004 EDITION '06 ADDENDA

DESIGN TEMPERATURE: 100 °F

DESIGN PRESSURE: 600 PSI

RADIOPHOBIC: UNSPECIFIED

HYDROSTATIC TEST PRESSURE: 780 PSI

P.W.M.I.: NO

VOLUME: 0.51 CU FT

WEIGHT (EMPTY): 64 LBS

SHELL DESIGN THICKNESS: 0.177" NOM

HEAD DESIGN THICKNESS: 0.21" MIN

DESIGN TEMPERATURE: 100 °F

DESIGN PRESSURE: 600 PSI

EXCEPTION: 20" DIA (W=12.60)

WELD SIZE: 3/8" (W=12.60)

WELD TYPE: 600 BS

LENGTH SEAM-SEAM: 24"

OVERALL LENGTH: 33.778"

WEIGHT FULL OF WATER: 96 LBS

HEAD DESIGN THICKNESS: 0.21" MIN

NOTES:

- 1) Impact Testing Exempt per UG-50(f), 1 through 5.
- 2) External Loading are not Applicable (Ref UG-22).
- 3) Fabrication tolerances shall be in accordance with DCP Section: 10-4.
- 4) Nozzle Holes in Shell (or 2" NPS) shall be 2" ID.
- 5) All Holes in Shell or Head shall be closed unless otherwise specified.
- 6) All openings shall be closed unless otherwise specified.
- 7) Exterior or Interior corners or edges of openings without a radius value shall be chamfered to a 1/16" minimum or rounded to a 1/8" minimum radius.

REFERENCE DRAWING NO. 275 REV A ORN #0150602

CERTIFIED AS-BUILT

MAR-QUINN INDUSTRIES LTD.		YHOHO RESOURCES	
	<p>LEBUIG, ALBERTA</p>	<p>600 PSI @ -20/100°F, 0" CA</p>	<p>6" NPS x 24" S/S</p>
<p>SCRUBBER FITTING</p>	<p>143-77-05-A</p>	<p>05.09.07</p>	<p>05.09.07</p>
<p>REV</p>	<p>DATE</p>	<p>BY</p>	<p>CHK</p>
<p>1</p>	<p>05.09.07</p>	<p>1</p>	<p>1</p>

MAR-QUINN INDUSTRIES LTD

TRAVEL SHEET

DO NOT START CONSTRUCTION WITHOUT AI REVIEW TRAVEL SHEET REVISION NO.:

AI REVIEW: Randy Cottrell RC REVIEW DATE: Nov. 7, 2005

SERIAL NO.: 143-7705 JOB NO.: 1000 VESSEL TYPE: Vertical Scrubber 6" X 24 3/8"

DWG. REVISION NO.: 0 TRAVEL SHEET INITIATION BY:

Seq.	Item	Comments	Q.C.I.	Date	A.I. Hold Points	A.I.	Date	Owner	Date
1.	Calculations in File		DD	12/23/05					
2.	Release of App'd Dwg.		RC	07-Nov-05					
3.	Heat Numbers Recorded		DD	05/03/07					
4.	MTRs Checked		DD	05/03/07					
5.	WPS(e) Checked		DD	12/23/05					
6.	Welder(s) Qualified		RC	07-Nov-05					
7.	Thicknesses Verified & Recorded		DD	05/03/07					
8.	Shell(s) & Head(s) Fit-up Inspection		DD	05/03/07					
9.	Nozzles & Fittings Fit-up Inspection		DD	05/03/07					
10.	Nozzle Orientation		DD	05/03/07					
11.	Nozzle & Flange Rating Checked		DD	05/03/07					
12.	Impact Tests	Per UG-20(B), 1/4 inch 5							
13.	Internals Checked		DD	05/03/07					
14.	Final Internal Inspection	Shell Side	DD	05/03/07					
		Tube Side	DD	05/03/07					
15.	Weld Size Checked		DD	05/03/07					
16.	Welder I.D. Checked		DD	05/03/07					
17.	Final External Inspection		DD	05/03/07					
18.	Radiography	NONE	-	-					
19.	Other N.D.E.	NONE	-	-					
20.	Final Ext. Prior to P.W.H.T.	NONE	-	-					
21.	PWHT Chart Checked	NONE	-	-					
22.	Hydrostatic Test	Shell Side Gauge #	DD	05/03/07					
		Tube Side Gauge #	DD	05/03/07					
23.	CRN Drawing 275-A	CRN# 045060.2							
24.	N.C.R. #								
25.	Nameplate Stamping		DD	05/03/07					
26.	Manuf. Data Report Completed & Verified		DD	05/03/07					
27.	Nameplate Installation		DD	05/03/07					

The Authorized Inspector shall be presented with the Travel Sheet prior to construction so that he can designate additional inspection points and/or Hold Points. Any revisions shall be marked with a delta symbol with revision number and described at the bottom of this page.

* Denotes an A.I. Inspection Point ** Denotes an A.I. Hold Point

MAR-QUINN INDUSTRIES LTD
TRAVEL SHEET

143-77-05

MATERIAL THICKNESS VERIFICATION AND IDENTIFICATION				WELD I.D. / WELDER SYMBOLS / FIT-UP					
Description	Thickness	Material Spec. & Grade	Heat & Slab Number or I.D. Number	Weld I.D.	Symbol	Fit-Up	Weld I.D.	Symbol	Fit-Up
Shell #1	0.28"	SA 106-B	M 3234 64265						
Shell #2									
Shell #3									
Shell #4									
Shell #5									
Shell #6									
Head #1	0.28"	SA234-WPB	m 32908 04H30023						
Head #2	0.28"	SA234-WPB	m 32908 04H30023						
Head #3									
Head #4									
Boot #1 Shell									
Boot #1 Head									
Boot #2 Shell									
Boot #2 Head									
Cone									

ATTACHMENT AND / OR NOZZLE MATERIAL THICKNESS VERIFICATION AND IDENTIFICATION						WELDER SYMBOLS / FIT-UP			
Mark	Mat. I.D.	Neck	Fitting	Flange	Repad or Attachment	Cat. B	Cat. C	Cat. D	Pad OD
# 3	Spec.-Grd.				SA 36 nameplate				
	Thk./Rating								
	Heat# or ID								
# 4-1	Spec.-Grd.	1"	SA 105N						
	Thk./Rating	M 36921	3000#TDL						
	Heat# or ID	NANR							
# 4-2	Spec.-Grd.	1"	SA 105N						
	Thk./Rating	M 36921	3000#TDL						
	Heat# or ID	NANR							
# 5	Spec.-Grd.	M 35326	SA-105N						
	Thk./Rating		2"-3000#CPL						
	Heat# or ID								
# 6	Spec.-Grd.	M 36041	SA 234 WPB						
	Thk./Rating	562	1" LR 90° EL sch 40						
	Heat# or ID								
	Spec.-Grd.								
	Thk./Rating								
	Heat# or ID								
	Spec.-Grd.								
	Thk./Rating								
	Heat# or ID								



DESIGN • FABRICATION

7515 Sparrow Drive, Leduc Alberta T9E 7L1

Phone (780) 986-7805

Fax (780) 786-2854

CERTIFICATION OF HYDRO TEST

Date: May 4 2007

Customer: YOH resources

Job # 143-77-05

Vessel: 6" OD x 24" 5/8 Vert. Scrubber

Test Pressure 780 psig | Actual. 790 psig

Test Gauge Numbers: D-3 / D-5

Test Temperature: 60°F / 15°C Ambient

Test Results: Pass

[Signature]
Signature

May 4 2007
Date

Comments:
Hydro testing was in compliance with:
 ASME Code, Section VIII-1, 2004 Edition, 2006 Addenda.
 ASME B31.3 _____ Edition.

SHILL

B31.3 PIPING

(.280w) STD SMLS

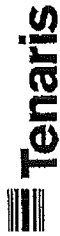
HT# TEN-64265

6 STD A106
2525281

Siderca S.A.I.C.
Dr Jorge A. Simini 250
Av. de los Andes 1000
Buenos Aires, Argentina
(54) 3469 433100 tel
(54) 3469 433405 fax

INSPECTION CERTIFICATE

(EN 10204 3.1B - ISO 10474 3.1B)



Cliente / Customer TENARIS GLOBAL SERVICES (CANADA) INC. - TGS C		Expedient / Manufacturing Order 512043.01		Fecha / Date 2009/2/04		Págs./Pages 1 / 4	
Producto / Product Seamless steel line pipe		Orden de Compra / Purchase Order 20627		Referencia del Cliente / Customer Reference		Item 00001	
Norma / Standard API 5L X 42 SMLS		Grado / Grade A106		Ediciones / Eds ANSI B16.25		Peso Nominal / Nominal Weight 28.25 KG/M	
Dimensiones / Dimensions 6 5/8 x 7.11 mm		Longitud / Length S.R.(SP)		Superficie Externa / External Surface VARNISHED		Cantidad / Quantity 1214 Pcs	
Condición de la prueba Specimen condition		Temp de Ent TA RT		Retorno / Return UTS		Dureza / Hardness Tipo / Type: BRH	
Zona PRO		Tipo ST		Alargamiento Elongation		Rod. de área Area Red.	
Estado PRO		PT ST		Lo 2'		Req. Min 39.8	
Defecto PRO		ST		V. Req. Min 50.8		V. Obl. Min 138	
Defecto PRO		ST		V. Req. Min 50.8		V. Obl. Min 133	
Defecto PRO		ST		V. Req. Min 50.8		V. Obl. Min 131	

PO 32334.
Mat'l conforms to: SA 106B
Code Edition & Addenda:
Date: 09.14.05

87891

NOTA / NOTE:

TEST TECNOLÓGICO / TECHNOLOGICAL TEST	RE = Rectangular
Aplicaciones / Applications	CI = Cilindrico / Cylindrical
Flanqueo / Flanging Test	ST = Segmento Tubular / Tubular segment
Conado / Bevel test	TU = Transversal
Alisado / Flanking Test	
Flanqueo / Flanging Test	
Flanqueo / Flanging Test	
Flanqueo / Flanging Test	
Flanqueo / Flanging Test	
Flanqueo / Flanging Test	
Flanqueo / Flanging Test	
Flanqueo / Flanging Test	

Mat'l conforms to: SA 106-B
 Code Edition & Addenda: 2004/06
 Date: 04/27/07



Siderca S.A.I.C.
 C.A. Siderca
 Ciudad del Este
 Asunción, Paraguay
 (54) 3489 4331001 tel
 (54) 3489 433405 fax

INSPECTION CERTIFICATE
 (EN 10204 3.1B - ISO 10474 3.1B)

Cliente / Customer TENARIS GLOBAL SERVICES (CANADA) INC. - TGSC C		Expediential / Manufacturing Order 52043.01		Número / Number 223546		Fecha / Date 20/09/2004		Pág./Page 3 / 4	
Producto / Product Seamless steel line pipe		Orden de Compra / Purchase Order 20627		Item 00001		Referencia del Cliente / Customer Reference			
Norma / Standard API 5L/ASTM A106/ASME SA106 + CSA Z245 1-98		Grado / Grade B/X42-290SS		Externo / Ends ASMEB16.25F2ANANS16.25		Cálculos / Quantities 226649 Kg 8017.40 m 499575 Lb			
Dimensiones / Dimensions 488.30 x 7.11 mm 6 5/8 x 0.280 inches		Peso Nominal / Nominal Weight 18.98 KG/MT 26.26 Lb/FT		Superficie Externa / External Surface VARNISHED		Marcas / Marking LLL = Longitud / length HXXXXXXX = Colada / Heat			
& = Monograma / Monogram SIDERCA MMY = Mes / Año Month / Year		NNNN = Número de tubo / Nbr of pipe YTT = Año / Trimestre Year / Quarter		PPP = Peso / Weight HXXXXXXX = Colada / Heat		@ = Monograma / Monogram API			
Estado (Tubo) / Stencilling (Pipe) NNNNN LLLL PXXXX TENARIS SD 5L0658 @ MMY YY ASTMASME ANSA106 API5L CSA Z245.1-98 B/X42P-SL1299 C1 SS S 6 5/8 X 0.28 18.99 6 SCH 40 STD 2700PSI TGS PO 20627 S2043.01 MADE IN ARGENTINA HXXXXXX									
Prueba Hidráulica / Hydrostatic Test		Tiempo / Time Segundos / Seconds 5,00		Resultado / Results Satisfactorio / Satisfactory					
Presión / Pressure Valor / Value 2700,00									
Unidad / Unit PSI									
FABRICADO POR SIDERCA *PROCESO DE ACERACION* FABRICACIÓN DE ACERO: FUNDICIÓN POR ARCO ELECTRICO Y COLADO CONTINUO - ACERO CALMADO AL ALUMINIO. LA PRACTICA DE AFINO EN EL HORNO - CUCHARA INCLUYE UNA INYECCIÓN FINAL DE UNA VARILLA DE SILICIO PARA OBTENER UNA FORMA GLOBULAR DE EVENTUALES MICROINCLUSIONES. MATERIAL LIBRE DE CONTAMINACIÓN DE MERCURIO. *PROCESO DE LAMINACIÓN* FABRICACIÓN DE TUBO: LAMINADO EN CALIENTE Y SIN COSTURA. *CONTROLES* CONTROL VISUAL Y DIMENSIONAL: SATISFACTORIO. *CONDICIONES DEL MATERIAL* NO REPARADO POR SOLDADURA. *PROPIEDADES DEL MATERIAL*									
MANUFACTURED BY SIDERCA *ACIERAGE PROCESS* STEEL MAKING PROCESS: E.A.F./F. AND CONTINUOUS CASTING - FULL ALUMINIUM RILLED AND FINE GRAIN PRACTICE. THE LF PRACTICE INCLUDES A FINAL INJECTION OF CALCIUM SILICIDE WIRE FOR MICROINCLUSION SHAPE CONTROL. MATERIAL FREE FROM MERCURY CONTAMINATION. *ROLLING PROCESS* MANUFACTURING PROCESS: SEAMLESS HOT ROLLED. *CONTROLS* VISUAL AND DIMENSIONAL INSPECTION: SATISFACTORY. *MATERIAL CONDITIONS* NO REPAIR BY WELDING. *MATERIAL PROPERTIES*									

CALL 17004

87891B



Siderca S.A.I.C.
Dr. Jara A. Smith 250
18200(1/HA) Campana
Buenos Aires, Argentina
(54) 349 433 60 00
(54) 349 433 45 00 fax

INSPECTION CERTIFICATE
(EN 10204 3.1B - ISO 10474 3.1B)

Cliente / Customer TENARIS GLOBAL SERVICES (CANADA) INC. - TGS C		Expediential / Manufacturing Order 521043.01		Fecha / Date 20/09/2004		Número / Number 223545		Pág. / Page 4 / 4			
Producto / Product Seamless steel line pipe		Orden de Compra / Purchase Order 20827		Referencia del Cliente / Customer Reference		Item 00001		Referencia del Cliente / Customer Reference			
Norma / Standard API 5L/ASTM A106/ASME SA106 • CSA Z245 1-98		Grado / Grade BDX42+290SS		Extremo / Ends ASMEB16.25F2A(ANSIB1E25)		Cálculos / Quantities 1214 Pcs 26303.81 Ft 225649 Kg 499675 Lb					
Dimensiones / Dimensions 168.30 x 7.11 mm 6 5/8 x 0.280 inches		Schedule 40		Superficie Externa / External Surface VARNISHED		Longitud / Length S.R.(SP)					
Peso Nominal / Nominal Weight 46.99 KG/MT 28.26 LB/FT											
-LA DUREZA CUMPLE CON LA NORMA NACE MR-01-75 ULTIMA EDICION. -EL MATERIAL CUMPLE CON LOS REQUISITOS DE ASTM A530. -EL MATERIAL CUMPLE CON LOS REQUERIMIENTOS CSA Z245.1.98 GR 241/290 Cat.1. *NORMAS* -CERTIFICADO DE ACUERDO CON: EN 10204 3.1.B/95 - ISO 10474 3.1.B/92. -EDICION DE LA NORMA : ASME SA 106/01. -EDICION DE LA NORMA : NACE MR-01-75 ULTIMA EDICION -EDICION DE LA NORMA : API 5L, 42 ^a Edition 2000. -EDICION DE LA NORMA: CSA Z245.1/98. -EDICION DE LA NORMA : ASTM A106/02a.											
Observaciones / Remarks HEAT TREATMENT: AS ROLLED. INSPECTION METHODS: E.M.I. LONG. (EXT.) NOTCH 5% - LONG. (INT.) NOTCH 10% - TRANSV. (EXT./INT.) NOTCH 10%.											
We hereby certify that material herein described has been manufactured in accordance with the standards and specifications resulted in your order and satisfies the corresponding requirements.				This certificate is issued by a computerized system and it is valid with electronic signature. On the original certificate the trade-mark, Tenaris light-green colour at the bottom of the page is stamped. In case the owner of the certificate would release a copy of it, he must attest its conformity to the original one taking upon himself the responsibility for any unfair or not allowed use.				Any alteration and / or falsification will be subject to the law.		If you need to assure the authenticity of this certificate, please do not hesitate to contact Siderca S.A.I.C. through the e-address: aj@siderca.com	
Por lo presente certificamos que el material aquí descrito ha sido fabricado de acuerdo con las normas y especificaciones solicitadas en vuestra orden y satisfacen los correspondientes requerimientos.				Este certificado se emite mediante un sistema computarizado y es válido con firma electrónica. El certificado original presenta el logo Tenaris (verde claro) impreso en la parte inferior de la hoja. En caso que el poseedor del certificado entregue una copia del mismo, deberá garantizar la conformidad con el original, haciéndose responsable por cualquier uso injusto o indebido.				Cualquier alteración y / o falsificación de este certificado, conlleva a la ley.		Si necesita asegurar la autenticidad de este certificado, contactase con Siderca S.A.I.C. e-mail: aj@siderca.com	
QUALITY CERTIFICATION DEPT. DTO CERTIFICACION DE CALIDAD EDUARDO A. AYERBE										CUI 17564	

81891C

E-No. M-832 Purchase Order No. CI-04-195 Job No.
 (MILL TEST REPORT)

No.	MFG. No. (Heat Identification No.)	Specification for Material Made from XXXXXX PLATE	Specification for Inspection	Visual Examination	Dimensional Inspection
		ASTM A234-03/ASME SA234 WPB	ASME B16.9	Good	Good
		Product & Size (T-*)	Quantity	Heat Treatment (Note 1)	
1	04E80004	C WPB 4 S40		COLD FORMING	
2	04F80004	C WPB 4 S40		COLD FORMING	
3	04H30002	C WPB 4 S40		COLD FORMING	
4	04H30003	C WPB 4 S40		COLD FORMING	
5	04H30023	C WPB 6 S40		COLD FORMING	

143-77-05
Top + Bottom Heads

Specification	Chemical Composition %											Tension Test *2				
	C	Si	Mn	P	S	Cu	Ni	Cr	Mo	V	Nb	C.E.	YS	TS	E	
Min.	X 100	X 100	X 100	X 1000	X 1000	X 100	X 100	X 100	X 100	X 1000	X 1000	X 100		MPa.	%	
Max.		10	29										240	415	30	
Material Heat No.	30		106	50	58	40	40	40	15	80	20			585		HARDNESS MAX
1	354	12	22	72	8	24	5	2	1	2	0	25	264	423	40	197 HB: GOOD ✓
2	355	13	20	73	15	25	6	4	1	2	<0	27	288	426	44	
3	4-2907	13	18	108	18	6	1	2	1	1	0	32	323	456	35	
4	5-8359	16	15	86	12	6	1	2	1	1	1	31	394	477	36	
5	4-2907	13	18	108	18	6	1	2	1	1	0	32	323	456	35	

(Note 1) A: Hot formed with final temperature between 620°C-980°C. Air Cooling N: Normalizing 910°C/30.5 HR. Air Cooling S: Stress Relieving 620°C/2 HR. Air Cooling

*A: Hot Finished Condition

Quality Assurance Manager
 Thai Bankan Co., Ltd.
 58 Soi Watkrumai, Bangkok, Prapachanp.
 Samuiprakarn, 10130 Thailand.

HT# 04H30023

6" STD WELD CAP

PO 32908

Mat'l conforms to: SA 234 WPB
 Code Edition & Addenda: 2004-2004

INSPECTION CHECKED NOV 03 2005

MAGNETIC PARTICLE EXAMINATION FOR THE ONLY:
 We hereby certify that the product described herein has been manufactured in accordance with the specifications concerned and also with the purchaser's requirements and that the test results shown herein are correct.

* 1: "T" symbolized wall thickness in mm. * 2: YS Yield strength TS TENSILE strength E ELONGATION

Mat'l conforms to: SA 234 WPB
 Code Edition & Addenda: 2004/06
 Name: PD
 Date: 04/23/07

HEAT NUMBER : 04H30023
 TRANS AM PIPING PRODUCTS - REV'D BY: S 4 - 1449 111
 Shipment/Seq #:



CONSTRUCTION DATA REPORT FOR PIPING SYSTEMS
In accordance with the provisions of the Safety Codes Act

Shop Construction [x]; Field Construction []; Final Data Report [x];
Partial Data Report [] (from one ABSA-authorized Contractor to another ABSA-
authorized Contractor).

Complete both sides of this Form

1. Constructed By: Mar-Quinn Industries Ltd. Owner's Job No: 149-35-07
(Name of ABSA authorized primary contractor or subcontractor)
7115 Sparrow Drive, Leduc, Alberta T9E 7L1
(Address)

Alberta Quality Program No. AQP-1128(S) Expiry Date: JULY 9, 2008

2. Constructed For: N/A
(Name of primary contractor if different from above)
N/A
(Address)

Alberta Quality Program No. AQP-N/A Expiry Date: N/A
(Required when the primary contractor undertakes some/all of the quality functions, e.g., Mat'l supply, NDE, PWHT, Tie-in, fabrication, hydro test, final assembly etc.)

3. Owner: YOHO RESOURCES Suite 750,736-6 avenue S.W. Calgary, AB. T2P 3T7
(Name and address)
STOCK
(Location of installation)

Alberta Quality Program No. AQP- Expiry Date:
(Required when the owner undertakes some/all of the quality functions, e.g., Mat'l supply, NDE, PWHT, Tie-in, fabrication, hydro test, final assembly etc.)

4. Piping Design Alberta Registration No.: PP-N/A
(Required if aggregate piping volume is over 0.5m³)

5. WP No.: WP-884.2 ; Company: Mar-Quinn Industries Ltd. ; Owner's WP No. (If used): WP-
(Alberta Registration No.) (Alberta Registration No.)
WPS No(s). used: MQI 1 Rev. 1 ; Owner's WPS No(s). (If used):

6. Code: ASME B31.1 Non Boiler External Piping []; ASME B31.1 Boiler External Piping [];
ASME B31.3 [x] - Service category: Normal [x], D [], M [], High Pressure []; B31.5 []; B31.9 [].

Table with 13 columns: Drawing No., Fluid, Des. Pres., Des. Temp., Test Press., Test Medium, Pipe Mat'l Spec. & Grade, C.A. mm, Pipe NPS & Schedule, Flange Material & Rating, PWHT/Preheat Temp., R.T. %, Other NDE. Rows include SP#1 and SP#2 with details for GAS, 10204, 100, 15306, WATER, SA-106-B, 1.6, 2" SCH 80, CL600 SA105N, 10, and -.

FUNCTION TEST WITH SHOP AIR REGULATED @ 207 kPa AND SOAPY WATER. LEAK TEST WITH SHOP AIR @ 1137 kPa.

Partial Data Reports, properly identified and certified by ABSA-authorized contractors, as listed below are attached to and form part of this Data Report

No.	Line No.	Spool No.	Drg. No. (with Rev. No.)	Contractor (Name)	AQP No.	Expiry date

Remarks: Provide additional comments including noting any code work that was not performed by the ABSA-authorized contractor(s) supplying this document as a Partial Data Report but which must be completed by another ABSA-authorized contractor who assumes overall responsibility for conformance with the Safety Codes Act & Regulations and applicable ASME Codes, and who assures that all required code work is completed prior to putting the piping system into service.

Endorse certificate 'A' or 'B'

A. CERTIFICATE OF COMPLIANCE

Signed by the subcontractor when supplying this certificate as a Partial Data Report

We certify that the statements in this Data Report are correct and that materials, construction and workmanship of the piping fabrication conform to the registered quality system and the applicable Piping code(s).

Date: _____
Subcontractor

Print Authorized Representative's Name Signature

This certificate is not valid unless it forms part of a Final Data Report signed by Primary Contractor

B. CERTIFICATE OF COMPLIANCE

Signed by the primary contractor when supplying this certificate as a Final Data Report

We certify that the statements in this Data Report are correct and that piping job no. 149-35-07 described in this Data Report was constructed in accordance with the Province of Alberta Safety Codes Act and Regulations, and applicable ASME Piping Code(s).

Date: May. 7, 2007 Mar-Quinn Industries

Print Authorized Representative's Name Signature
DAN de GROOT

Print Authorized Representative's Name Signature

CERTIFICATE OF INSPECTION

I, the undersigned, employed by _____ have inspected the piping job no. _____ described in this Construction Data Report and state that, to the best of my knowledge and belief, the Contractor has constructed this piping in accordance with the applicable Sections of the ASME Piping Codes and Province of Alberta Safety Codes Act and Regulations.

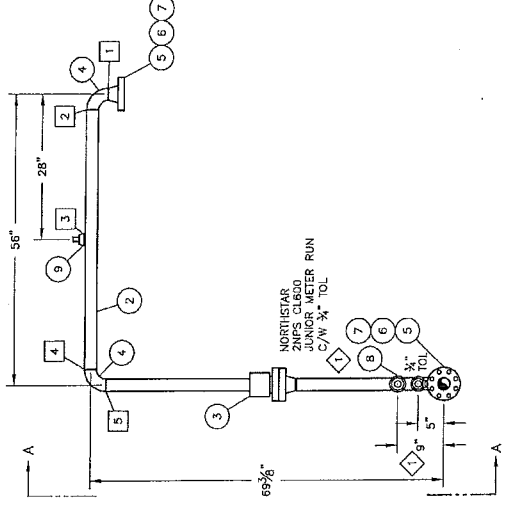
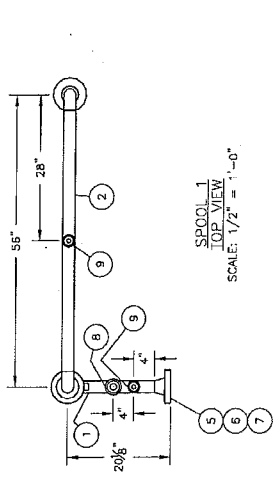
Date: _____ Date: _____

Print Owner's Inspector's Name Owner's Inspector's Signature

Name: _____ Sign.: _____
ABSA Safety Codes Officer
(BOILER EXTERNAL PIPING ONLY)

BILL OF MATERIALS FOR SPOOL 1 S/N:149-35-07 CONST. DWG.:1204-07-S

ITEM	QTY	SIZE	DESCRIPTION	LENGTH	MATERIAL	BRCH
1	2	2"	PIPE SCH. 80 SMLS	14"	SA-106-B	P1
2	2	2"	FLANGE-RWV CL660 SCH. 80 BORE	23 7/8"	SA-106-B	
3	2	2"	ELL. 90° LF SCH. 80	63 7/8"	SA-106-B	
4	1	3"	GASKET 2" CL660 - 8" THK.		304SS	
5	2	2"	FLANGE-RWV SCH. 80 BORE		SA-106-B	
6	2	2"	ELL. 90° LF SCH. 80		SA-106-B	
7	2	2"	FLANGE-RWV SCH. 80 BORE		SA-106-B	
8	1	2"	THREADED, CL660 TS. WITH PLUG	4 1/2"	SA-193-07/SA-194-2H	
9	2	2"	THREADED, CL660 TS. WITH PLUG	2 3/4"	SA-106-B	

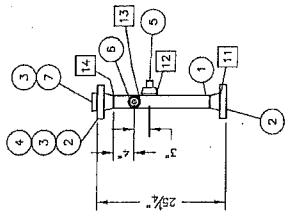


VI	FULL A	W/FI MOI-1 REV. 1
VIII	FULL (IF REQ'D) TAPER (IF REQ'D)	W/FI MOI-1 REV. 1

NOTES:
 1. ALL VALVES ARE RASSED FACE UNLESS NOTED
 2. ALL PIPE SEAMLESS UNLESS NOTED OTHERWISE
 3. ADDED 1" TOL & RELATED DIMENSIONS ADDED
 4. WELD TAG 15

BILL OF MATERIALS FOR SPOOL 2 S/N:149-35-07 CONST. DWG.:1204-07-S

ITEM	QTY	SIZE	DESCRIPTION	LENGTH	MATERIAL	BRCH
1	2	2"	PIPE SCH. 80 SMLS	19 1/2"	SA-106-B	P1
2	2	2"	FLANGE-RWV CL660 SCH. 80 BORE	23 7/8"	SA-106-B	
3	2	2"	ELL. 90° LF SCH. 80	63 7/8"	SA-106-B	
4	1	3"	GASKET 2" CL660 - 8" THK.		304SS	
5	2	2"	FLANGE-RWV SCH. 80 BORE		SA-106-B	
6	1	2"	THREADED, CL660 TS. WITH PLUG	4 1/2"	SA-193-07/SA-194-2H	
7	1	2"	THREADED, CL660 TS. WITH PLUG	2 3/4"	SA-106-B	
8	1	2"	THREADED, CL660 TS. WITH PLUG	4 1/2"	SA-193-07/SA-194-2H	
9	2	2"	THREADED, CL660 TS. WITH PLUG	2 3/4"	SA-106-B	



SPOOL 2
SCALE: 1/2" = 1'-0"

Q.C. WELD CHART

WELD	TYPE	WELDER ID	X-RAY	PHWT
1	BW			
2	BW			
3	TOL			
4	BW			
5	BW			
6	BW			
7	BW			
8	BW			
9	TOL			
10	TOL			
11	TOL			
12	TOL			
13	TOL			
14	BW			
15	TOL			

SERVICE: SWEET
 CODE: ASME B31.3 2004 EDITION
 TEST MEDIUM: WATER
 W.P.S.: MOI-1 REV. 1
 FAB. LOC.: SHOP
 INSULATION: NONE
 TRACING: NO
 PAINTING: PER SPECS
 ADD'NL. NDE: PER SPECS
 DP: 1480 PSIG
 DESIGN TEMP: 100°F
 M.D.M.T.: -20°F
 HYDROSTATIC TEST: 2220 PSIG
 P.W.H.I.: NO
 RADIOGRAPHY: 10%
 MAR-QUINN INDUSTRIES LTD.
 7115 Sherman Drive
 Little Rock, AR 72204
 P.O. BOX 288-1885 FAC. (501) 388-2824
 *ALL DIMENSIONS UNLESS OTHERWISE NOTED ARE IN INCHES
 *TOLERANCES UNLESS OTHERWISE NOTED ARE AS SHOWN

PROJECT NUMBER: S/N:149-35-07 CONST. DWG.:1204-07-S
 DATE: May 08 2007
 AS NOTED: 149-35-07-S1
 DRAWN BY: JM
 CHECKED BY: JM
 ISSUED BY: MC
 REVISED BY: MC
 DESCRIPTION: SPOOL DRAWINGS
 10 MPS X 50" S/S 1480 PSI
 TWO PHASE CENTRIFUGAL
 SEPARATOR PACKAGE

CERTIFIED AS-BUILT

REVISIONS:

REV.	DATE	BY	DESCRIPTION
0	05/08/07	JM	AS BUILT
1	05/08/07	MC	SEE NOTE 3
2	05/07/07	MC	DESCRIPTION

Q.C. WELD CHART (continued from previous block)

CERTIFIED AS-BUILT

MATERIALS CHECK VALVE

ITEM	QTY	SIZE	DESCRIPTION	LENGTH	MATERIAL	BRCH
1	2	2"	PIPE SCH. 80 SMLS	14"	SA-106-B	P1
2	2	2"	FLANGE-RWV CL660 SCH. 80 BORE	23 7/8"	SA-106-B	
3	2	2"	ELL. 90° LF SCH. 80	63 7/8"	SA-106-B	
4	1	3"	GASKET 2" CL660 - 8" THK.		304SS	
5	2	2"	FLANGE-RWV SCH. 80 BORE		SA-106-B	
6	1	2"	THREADED, CL660 TS. WITH PLUG	4 1/2"	SA-193-07/SA-194-2H	
7	1	2"	THREADED, CL660 TS. WITH PLUG	2 3/4"	SA-106-B	
8	1	2"	THREADED, CL660 TS. WITH PLUG	4 1/2"	SA-193-07/SA-194-2H	
9	2	2"	THREADED, CL660 TS. WITH PLUG	2 3/4"	SA-106-B	

21.1

MAR-QUINN INDUSTRIES LTD.

PRESSURE PIPING EXAMINATION CHECKLIST

PRESSURE PIPING EXAMINATION CHECKLIST				
JOB NUMBER: 1204-149-35-07				
NO.	FUNCTION	DATE	SIGNATURE OR INITIAL AND DATE	
			Q.C. INSPECTOR	OWNER'S INSPECTOR
1	DRAWINGS: ABSA registration over 0.5 Cu. M. Approved by Owner. Approved for Construction (signed & dated).	05/02/07	DD	
2	A.B.S.A. Safety Codes Officer and Owner's Inspector notified.	05/02/07	DD	
3	Registered Welding Procedures, Q.C. Manual and Forms available at site, Job File started.	05/02/07	DD	
4	Welders qualified for Procedures and have valid Performance Qualification cards. Welders Log completed. WPS reviewed with welders.	05/02/07	DD	
5	Material checked against P.O., drawings, and specifications. Identification confirmed. Colour coding applied.	05/03/07	DD	
6	Sample of each welder's work examined, including root spacing, alignment, cleaning, joint preparation, preheat and electrode control.	05/03/07	DD	
7	Nondestructive Examination completed. Reports and radiographs reviewed, signed by Level II or III, Radiograph I.D. detailed on drawings.	05/03/07	DD	
8	Visual Examination of all completed welds. Welders I.D. stamped and recorded on drawings.	05/03/07	DD	
9	Heat Treatment verified and recorded on drawings.	—	—	
10	Each system checked against specifications and drawings before test, using Exhibit 21.3	05/03/07	DD	
11	All deficiencies recorded and signed off by Q.C.I. and Owner's Inspector before test.	05/04/07	QI	
12	Pressure Test checked. Gauge calibration verified, gauge #'s recorded.	05/04/07	QI	
13	System checked after test. Deficiencies recorded and corrected.	05/04/07	QI	
14	Construction data reports (AB-83) prepared and signed by QCI and Owner's Inspector.	05/07/07	DD	
15	Declaration form (AB-81) submitted to ABSA.		N/A	
16	As built drawings accepted by Owner.			

IRISNDT

RADIOGRAPHIC INSPECTION REPORT

447577

Page of

M-37364

Exposure Device #: _____ Source #: _____

Job / P.O. #: 149-35-07P IRISNDT #: 304691 Date: MAY 3-2007

Cobalt 60 IR 192 X-Ray EFSS: 0112

Client: MORQUINN

Film Brand: AGFA #Film/cassette: 1/1

Location: LEDUC

Code: ASME B31.3 NORMAL

Item: BUTTWEED Material: PI

Film #	Size, Location, Thickness	Welder ID	IRISNDT Proc.	SOD Inches	OFD Inches	# of Exp.	Work Location	Film Type	Type and Location of Discontinuities (circle rejectable discontinuities)	Accept	Reject
X1	2" S80	A	RT-3	2.03	3.343	3	1	D4 F01"		✓	

Number of Radiation Barrier Warning Signs Erected _____ Number of Radiation Barrier Warning Signs Returned _____

Work Location Legend (insert number): [1] Inside Fab. Shop [2] Yard/Lay-down Area [3] Piping/Modular Fab. Area [4] N/A (Other)

IRISNDT Procedure: Single Wall Exposure: RT 1, 2, 2A, 6, 7 Double Wall Exposure: RT 3, 3A, 4, 5, 8	S.O.D. = Source to object distance (D) O.F.D. = Distance from source side of object to film (d)	AB - Arc Burns BT - Burn Through CK - Crack EP - Excessive Penetration P - Porosity	EUC - External Undercut IUC - Internal Undercut HB - Hollow Bead IP - Incomplete Penetration S - Slag	IC - Internal Concavity LF - Lack of Fusion LC - Low Cover MA - Misalignment
--	--	---	---	---

Unit # _____ Kilometres: _____

In _____ Out _____

IRISNDT Corp.
 ROBERT SOLVERSON #3515
 CGSB 400712 RT #

Personnel: BS, JS
RS
 ASNT LEVEL II - RT

Film Quantity:

3-5 1/2 x 2 3/4

Interpretation by: SNT-TC-1A II

ROBERT SOLVERSON (Signature)
 C.G.S.B. # 3515 (Level)

I am in full agreement with report contents:

Client Representative: [Signature]

Edmonton (780) 437-4747	Fort McMurray (780) 743-1536	Cold Lake (780) 594-1114	Mailing Address
Calgary (403) 279-6121	Grande Prairie (780) 532-2283	Red Deer (403) 347-1742	5311 - 86 Street
Nisku (780) 955-7616	High Level (780) 841-0470	Tulsa, OK (918) 446-8773	Edmonton, Alberta
Barrhead (780) 674-3018	Lloydminster (780) 875-6455	Houston, TX (713) 722-7177	T6E 5T8

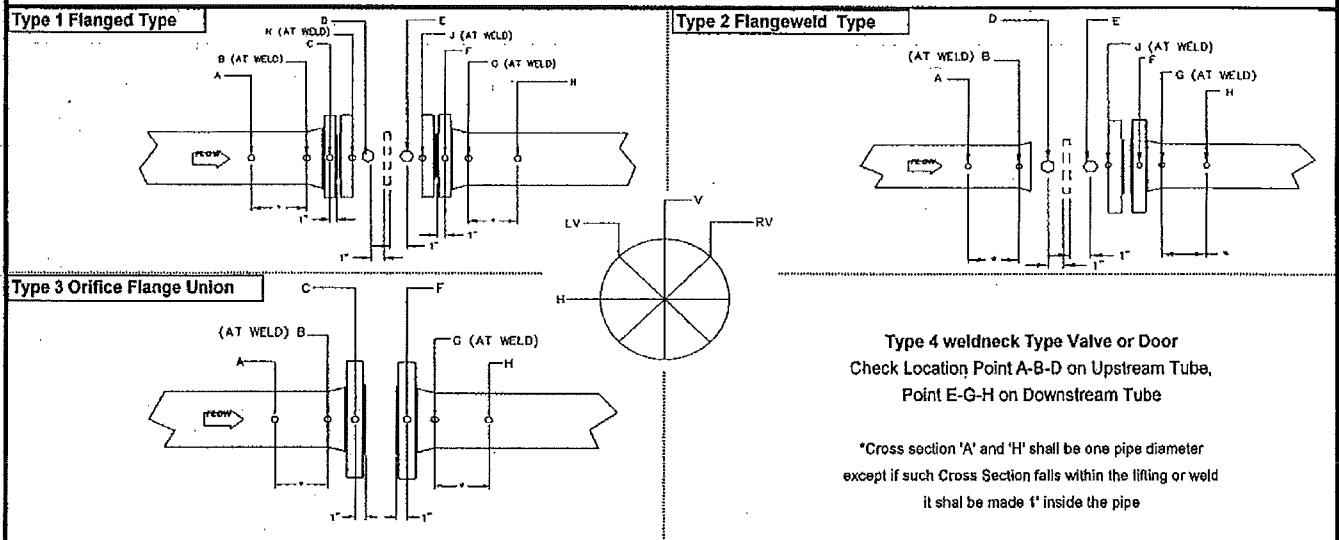
149-35-07



Meter Tube Calibration Record

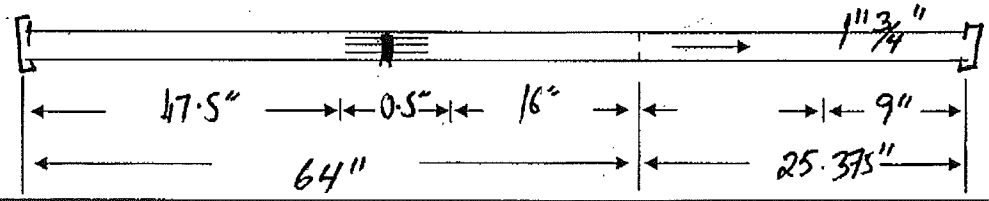
General Specifications

Customer:	MAR-QUIN N INDUSTRIES LTD.	Date:	SEPTEMBER 08/ 2005
Location:	PEYTO EXPLORATION	P.O. Number:	M32143
Serial No.	XJ52957-01	Work Order No.	XJ52957
Assembly Part No.	40982-000-A0152	Part No.	40422-34221
Orifice Fitting:	2" 600# SCH. 80 SINGLE CHAMBER	Meter Tube Type No.	2
Flow Conditioner:		Yes	<input checked="" type="checkbox"/> No <input type="checkbox"/>



Location	Upstream Meter Tube					Downstream Meter Tube				
	A	B	C	D	K	E	F	G	H	J
V	1.936	1.934		1.939		1.939	1.934	1.937	1.934	1.934
LV	1.936	1.934		1.939		1.939	1.935	1.939	1.939	1.934
RV	1.937	1.938		1.939		1.939	1.934	1.934	1.934	1.935
H	1.937	1.934		1.939		1.939	1.935	1.939	1.938	1.934
Average	1.936	1.935		1.939		1.939	1.934	1.937	1.936	1.934

Upstream Mean Average to Stamp on I.D. Plate: 1.939
Downstream Mean Average to Stamp on I.D. Plate: 1.939



AGA/API Figure	3(2000)	BETA	0.70	Meter Tap Location	Upstream	Downstream
----------------	---------	------	------	--------------------	----------	------------

Remarks: 600#
Inspector: VPReddy

149-35-07 MORGAN 30152

Taylor Valve Technology, Inc

8300 Southwest 8th Street
Oklahoma City, Oklahoma

Serial Number : 23278-56

telephone: 405.767.0145 facsimile: 405.799.8193

Certificate Number: 38611.4290

email: info@taylorvalve.com

Date : 16-Sep-05

Customer : Arinah Services Ltd.

9835 - 54 Avenue
Edmonton, Alberta
T6E 5N7

Sales Order # : 23278
Customer P.O. # : M-32397

Safety Relief Valve Certification

Taylor Valve Technology, Inc. Safety Relief Valves are designed, manufactured and tested in accordance with the provisions of the ASME Boiler and Pressure Vessel Code, Section VIII. This Valve is certified to relieve within plus or minus 2 psi of the set pressure 70 psig or below, and plus or minus 3% of set point for pressures above 70 psig, as allowed for within the provisions of ASME. The published relieving capacities have been certified by the National Board of Boiler and Pressure Vessel Inspectors.

Valve Specifications

Model Number : 8200 Disc and Seat - Soft Seat	Orifice :	E
Body Size : 1 inch	Orifice Diameter :	0.520 Inches
Part Number : 82E8351311	Orifice Area :	0.212 in ²
Body Configuration : 1" MNPT X 1" FNPT	Operating Temperature :	70 °F
	Spring Range :	1201-1600 PSI
	Set Pressure :	1480 PSIG

Materials

Body : WCB Carbon Steel	Spring : 17.7 PH SS
Seat Frame : A105 Carbon Steel	Guide : 304 Stainless Steel
Seat Housing : 17-7 PH Stainless Steel	Adjustment Screw : 17-7 PH Stainless Steel
Trim : Standard	Options :
Seat : Viton 90d	

Set Pressure Specifications

ASME Units

Set Pressure :	1480 psig
ASME High Set Limit :	1524 psig
ASME Low Set Limit :	1436 psig

ASME (90%) rated capacity at set pressure for indicated fluid, specific gravity and temperature.

Certifying Fluid :	Air	5,322.35 SCFM	Spec Gravity : 1.00	Temp : 60 oF
API 520 (100%) calculated capacity at set pressure for indicated fluid, specific gravity and temperature.				
Test Fluid :	Air	5,854.58 SCFM	Spec Gravity : 1.00	Temp : 60 oF

Prepared by : Adam Raprich

Department : Customer Service

Signed Adam Raprich

Approved by : Jennifer Dykens

Department : Quality

Signed Jennifer Dykens

149-35-07
Mar Quinn
32114

Taylor Valve Technology, Inc

8300 Southwest 8th Street
Oklahoma City, Oklahoma

Serial Number : **33821-171** telephone: 405.787.0145 facsimile: 405.789.8188
email: info@taylorvalve.com

Certificate Number: **39204.5744**

Customer : **Arinah Services Ltd.**
9635 - 54 Avenue
Edmonton, Alberta
T6E 5N7

Date : **02-May-07**

Sales Order # : 33821
Customer P.O. # : M37413

Safety Relief Valve Certification

Taylor Valve Technology, Inc. Safety Relief Valves are designed, manufactured and tested in accordance with the provisions of the ASME Boiler and Pressure Vessel Code, Section VIII. This Valve is certified to relieve within plus or minus 2 psi of the set pressure 70 psig or below, and plus or minus 3% of set point for pressures above 70 psig, as allowed for within the provisions of ASME. The published relieving capacities have been certified by the National Board of Boiler and Pressure Vessel Inspectors.

Valve Specifications

Model Number : 8200 Disc and Seat - Soft Seat	Orifice :	E
Body Size : 1 Inch	Orifice Diameter :	0.520 Inches
Part Number : 82E4351311	Orifice Area :	0.212 In ²
Body Configuration : 1" MNPT X 1" FNPT	Operating Temperature :	70 °F
	Spring Range :	101-225 PSI
	Set Pressure :	150 PSIG

Materials

Body : WCB Carbon Steel	Spring : 17.7 PH SS
Seat Frame : A105 Carbon Steel	Guide : 304 Stainless Steel
Seat Housing : 17-7 PH Stainless Steel	Adjustment Screw : 17-7 PH Stainless Steel
Trim : Standard	Options :
Seat : Viton 90d	

Set Pressure Specifications

ASME Units

Set Pressure :	150 psig
ASME High Set Limit :	155 psig
ASME Low Set Limit :	146 psig

ASME (90%) rated capacity at set pressure for indicated fluid, specific gravity and temperature.

Certifying Fluid :	Air	582.23 SCFM	Spec Gravity : 1.00	Temp : 60 oF
--------------------	-----	-------------	---------------------	--------------

API 520 (100%) calculated capacity at set pressure for indicated fluid, specific gravity and temperature.

Test Fluid :	Air	640.45 SCFM	Spec Gravity : 1.00	Temp : 60 oF
--------------	-----	-------------	---------------------	--------------

Prepared by : **Adam Raprich**

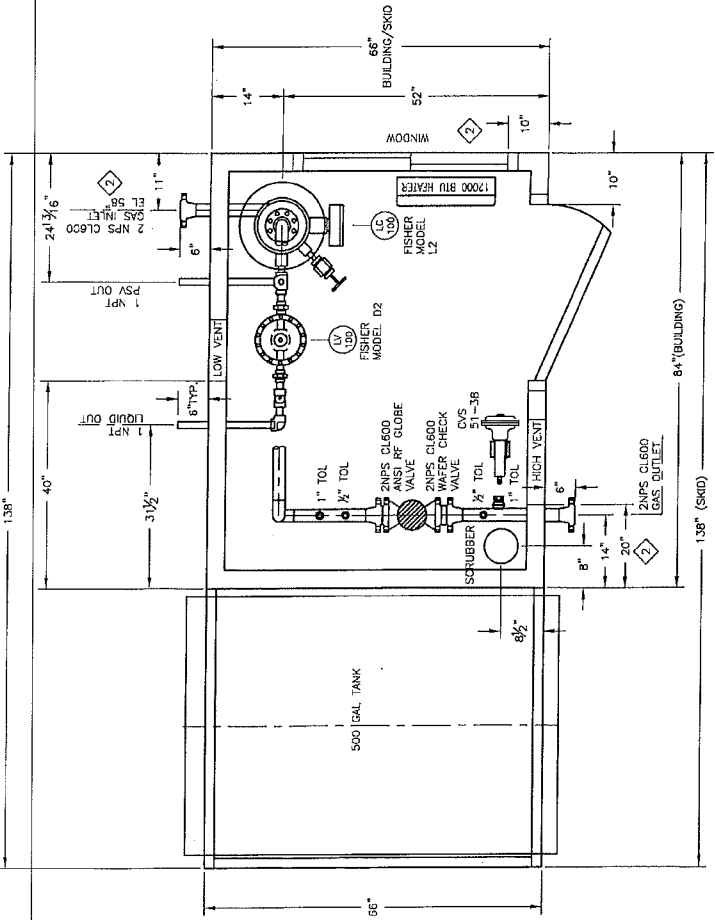
Department : **Customer Service**

Signed *Adam Raprich*

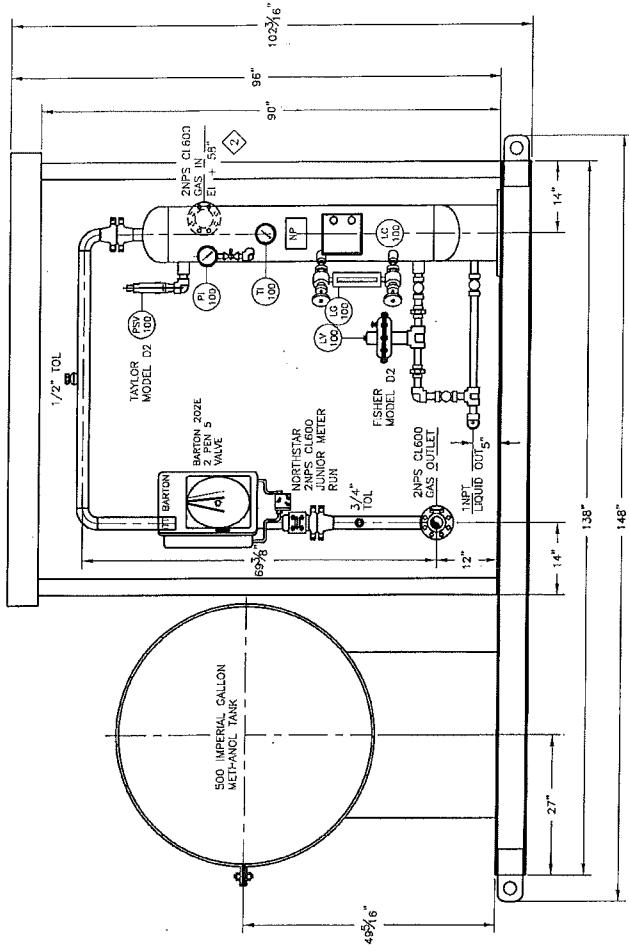
Approved by : **Jennifer Dykens**

Department : **Quality**

Signed *Jennifer Dykens*



PLAN VIEW
SCALE: 1/4" = 1'-0"



SIDE VIEW
SCALE: 1/4" = 1'-0"

CERTIFIED AS-BUILT

- NOTES:
1. PIPING DESIGN AND FABRICATE TO ASME B31.3 2004 EDITION.
 2. PIPE SIZE 2NPS IS SCH 8C & 1NPS IS SCH 160. ALL INSTRUMENT CONNECTIONS SHALL BE 1/2" NPT. ALL 2NPS CL600 SCH 80 BORE. THREADED FITTINGS ARE CL3000.
 3. RADIOGRAPHY FOR WELDED PIPING SHALL BE 10%.
 4. STUDS 5/8" DIA SET NUTS 1/2" DIA 5A-194-2H. GASKETS 304 SS FLEXIBALLIC.
 5. ALL INSTRUMENT LUBINGS ARE 304 SS.
 6. INSTRUMENT FITTINGS ARE SHIMBELON CAD PLATED CARBON STEEL.
 7. HYDROTEST PRESSURE = 2220 PSI.
 8. WPS FOR WELD PIPING: MQI-1 REV 1
 9. APPROXIMATE TOTAL SHIPPING WEIGHT = 2850 LBS.



MAR-QUINN INDUSTRIES LTD.
7115 Spence Drive, Leduc, Alberta T9E 7L1
TEL (780) 888-7805 FAX (780) 888-2834
*We are a public utility contractor and are not responsible for any damage to property or persons caused by our work.

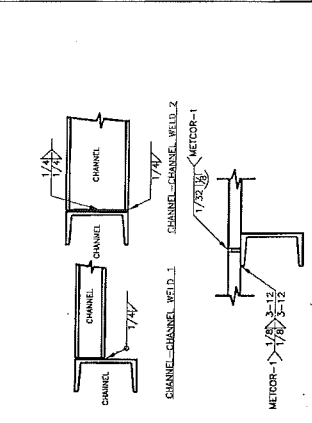
PROJECT MANAGER	JM	DATE	149-35-07-G
DESIGNER	JM	DATE	149-35-07-G
CLIENT	YORK RESOURCES INC.	CLIENT / P. ENG	YORK RESOURCES INC.
PRODUCTION	YORK RESOURCES INC.	PRODUCTION	YORK RESOURCES INC.
TOTAL		TOTAL	1

REV.	DESCRIPTION	BY	DATE
1	AS-BUILT	JM	08/11/07
2	REVISED AS MARKED	HL	09/13/07
3	REVISED AS MARKED	JM	05/03/07
4	ISSUED FOR CONSTRUCTION	HL	05/01/07
5	ISSUED FOR CONSTRUCTION	JM	04/24/07
6	ISSUED FOR CONSTRUCTION	HL	04/24/07
7	ISSUED FOR CONSTRUCTION	JM	04/24/07
8	ISSUED FOR CONSTRUCTION	HL	04/24/07
9	ISSUED FOR CONSTRUCTION	JM	04/24/07

PROJECT MANAGER: JM
DESIGNER: JM
CLIENT: YORK RESOURCES INC.
PRODUCTION: YORK RESOURCES INC.
DATE: 149-35-07-G

BILL OF MATERIALS FOR 149-35-07-D S/M:149-35-07 CONST.
DWG:1204-07-D

ITEM	QTY	UNIT	DESCRIPTION	MATERIAL	REV.
1	2	EA	CROSS MEMBER	4W	
2	5	EA	CROSS MEMBER 1	4W	
3	4	EA	CROSS MEMBER 2	4W	
4	2	EA	TANK SUPPORT BRACE	4W	
5	2	EA	TANK SUPPORT BRACE	4W	
6	2	EA	TANK SUPPORT BRACE	4W	
7	1	EA	FLOOR	4W	
8	2	EA	BASE PLATE	4W	
9	2	EA	TANK STAYS	4W	
10	2	EA	TANK STAYS	4W	



TYPICAL WELD CONNECTIONS

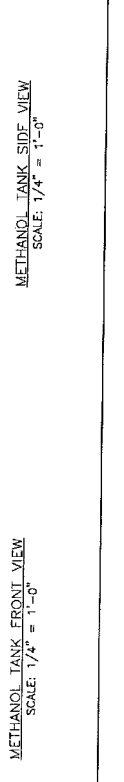
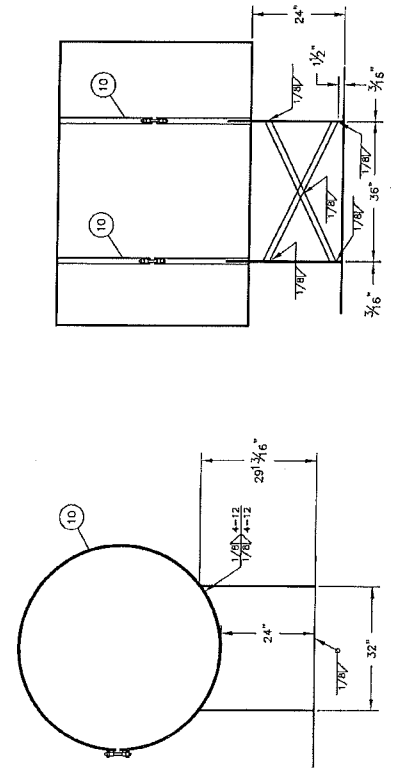
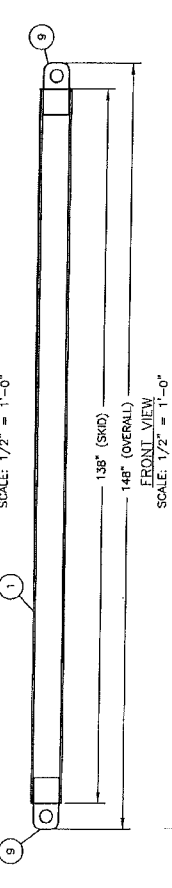
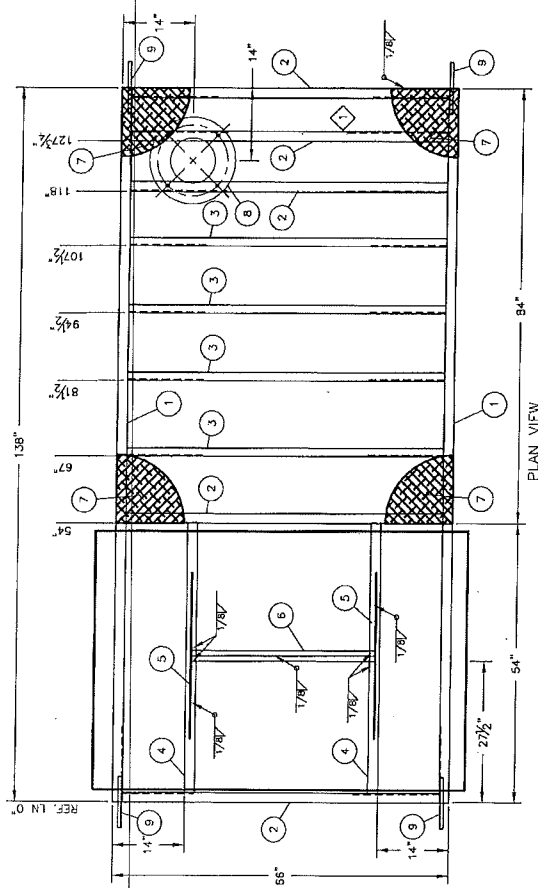
- NOTES:
- TOP OF CHECKER PLATE REF. ELEV. 0'.
 - CHECKER PLATE TO BE STITCH WELDED ϕ 3 IN 12 AROUND SKID PERIMETER UNDERSIDE AND FULLY SEAL WELDED.
 - SKID TO BE PAINTED AS FOLLOWS: 1 COAT PRIMER 1 COAT ENAMEL - WARM GREY.
 - WFS: METCOR-1 UNLESS SPECIFIED.
 - SKID WEIGHT = 1100 LBS.

CERTIFIED AS-BUILT

MQ MAR-QUINN INDUSTRIES LTD.
7118 Sparrow Drive, Lubbock, Alberta T4C 7L1
PH (780) 282-7825 FAX (780) 282-2551
100% CANADIAN OWNED AND MANUFACTURED
A MEMBER OF THE MAR-QUINN INDUSTRIES GROUP

PROJECT NUMBER: S/AN:149-35-07 CONST. DWG:1204-07-D
DRAWN BY: J. MOSS
DATE: 05/08/07
CHECKED BY: M. CULLUM
DATE: 05/08/07
SCALE: 1/4" = 1'-0"

REV.	DESCRIPTION	BY	DATE
1	AS BUILT	JM	05/08/07
2	REVERSED ITEM 2 CHANNEL	HL	05/08/07
3	ISSUED FOR CONSTRUCTION	HL	05/08/07
4	ISSUED FOR CONSTRUCTION	HL	05/08/07
5	ISSUED FOR CONSTRUCTION	HL	05/08/07



REV.	DESCRIPTION	BY	DATE
1	AS BUILT	JM	05/08/07
2	REVERSED ITEM 2 CHANNEL	HL	05/08/07
3	ISSUED FOR CONSTRUCTION	HL	05/08/07
4	ISSUED FOR CONSTRUCTION	HL	05/08/07
5	ISSUED FOR CONSTRUCTION	HL	05/08/07

REV.	DESCRIPTION	BY	DATE
1	AS BUILT	JM	05/08/07
2	REVERSED ITEM 2 CHANNEL	HL	05/08/07
3	ISSUED FOR CONSTRUCTION	HL	05/08/07
4	ISSUED FOR CONSTRUCTION	HL	05/08/07
5	ISSUED FOR CONSTRUCTION	HL	05/08/07

REV.	DESCRIPTION	BY	DATE
1	AS BUILT	JM	05/08/07
2	REVERSED ITEM 2 CHANNEL	HL	05/08/07
3	ISSUED FOR CONSTRUCTION	HL	05/08/07
4	ISSUED FOR CONSTRUCTION	HL	05/08/07
5	ISSUED FOR CONSTRUCTION	HL	05/08/07