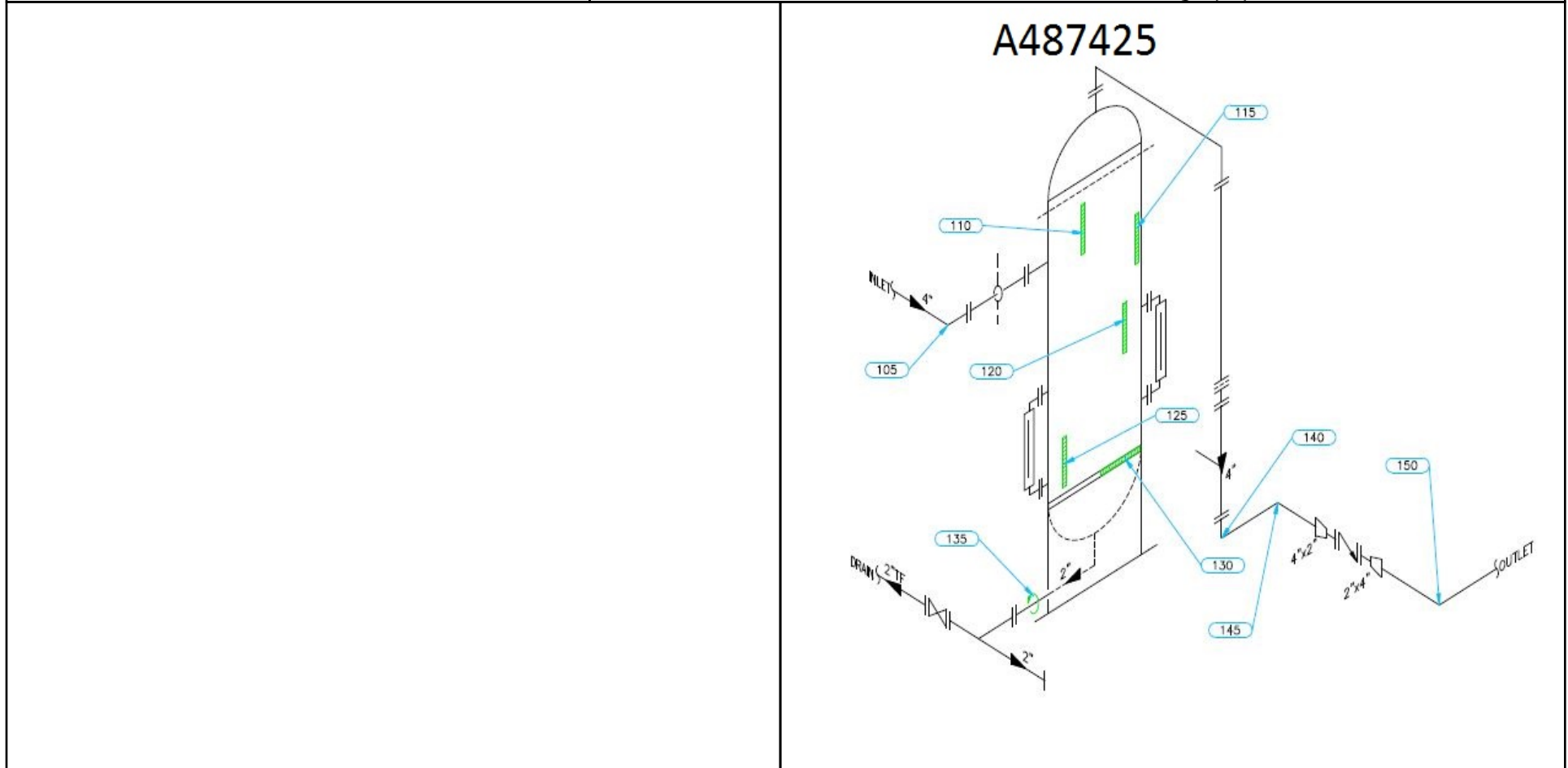


Field:	North Boundary Plant	Inspection Date:	2014.03.01	Assigned Next Inspection Date - External:	2018.11.20
Equip Desc:	3 Phase Separator	Mfr.:	Argo Sales Ltd.	Mfr. Date:	2002.01.01
Owner ID:	A0487425	Mfr. S/N:	VS11289	Shell MAWP:	9928.45 kPa
Location:	100/08-12-088-15W6M	PRN:		Shell MAWT:	37.78 C
UWI:		CRN:	N9713.21	Tube MAWP:	
Operating Status:	In Service - Operating	Manway:	No	Tube MAWT:	
		Length:	3048.01 mm	Service:	
		Diameter:	762.0 mm	Radiography:	RT-1



The suggested inspection interval is a calculated value based on the minimum thickness reading, t(min), and a calculated corrosion rate.



# Visual External Inspection Report

## VEC-3833

Phone: 780-717-0918 FAX: 780-460-8116

Page 1 of 1  
 Installation  Electrical  Internal

Date: 2014 Nov 20 Job #: 14-007-051  
 Inspected By: Kevin Giebelhaus Cert. #: P551-000026  
 Client: Chitrook Energy Inc.  
 Equip. Owner: Chitrook Energy Inc.  
 Region: Peace R. Arch Area: Boundary Lake BC (North)  
 Facility: 08-12 PLANT  
 Location, LSD: 08-12-000-1548  
 Description:  Vessel  Exchanger  Tank  Heater  
 Service Fluid:  Sweet  Sour Fluid Name:  
 Unit Name / #: Separator - VERTICAL Equip #: 3051507C  
 Equip. Name: Separator - VERTICAL  
 Jurisdiction #: AD487425 CRN: M8713.21  
 Manufacturer: Argo Sales Ltd.

Sketch/Notes:

Assembled by:  Leiland Hartmann

Year Built: 2002 S/N: VB11288  
 Zones: MDMT Design T: MAWP  
 Shell Side: 20' F 100' F 1440psi  
 Tube Side:  
 Other:  
 Components: Diameter Length Material Nominal I Lowest I LOK ? Calc. L-thin Comment  
 Shell: 1.375  
 Head: 1.375  
 Channel:  
 Other:  
 Orientation:  Hor.  Ver. Foundation:  Concrete  Gravel  Timbers  Steel  Other (Specify):  
 Anchors:  None  Welded  Bolted  Other (Specify):  
 Support:  Saddle:  Seal-welded  Free to move  
 Skirt:  Free of debris Comment: Good  
 Nozzle(s):  Gusseted  Free of cracks  
 Other (Specify):

Block Valve(s) Installed:  Yes  No Car-sealed Open:  Yes  No  N/A  
 Photographed Photo ID#:   
 Block Valve(s) Installed:  Yes  No Car-sealed Open:  Yes  No  N/A  
 Serial Number In. Out. Capacity Serv. Co. Serv. Date  
 48823 2 2 2235ch Dario Jun 11  
 Manufacturer TAYLOR  
 Condition: Good  
 Condition: Good  
 Condition: Good  
 Condition: Good

Overall: General Condition: Good  
 Painted  Fire-protected:  Clad  Insulated  Other:  
 Ext. Surface:  Ladder  Platform(s)  Other (Specify):  
 Bare  Coated  Clad  Lined  Metal-Sprayed  Other  
 Baffle  Vortex Breaker  Float  Inlet Diverter  Demister  
 Nozzles:  MW  Inspection port only Size: 6" x 2  Davit arm:  Greased  Double-nutted Condition: Good  
 Reinforcement pads used  Weep holes visible  No evidence of weeping Comment: None  
 Dead Legs Exist  Electrical Grounding:  None  Indirect  Direct  Secure  
 Condition: Blue; Good  
 Condition: N/A  
 Condition: N/A

Piping:  PSV piping:  Wall-coated  Proper joints  Proper supports  Max. Spans  Fluid is identified  Flow dir. shown  Drains properly  
 Inlet piping:      PSV is mounted on: TOP HEAD  
 Outlet piping:       
 Drain piping:       
 Instrument piping:

Valves:  Manual isolation valves:  Free from leaks Comment:  
 Automated control valves:  Free from leaks Comment:  
 Vents and/or drains:  Properly plugged Comment:

Gauges:  Pressure: Range: 0 - 1500 psi  
 Temperature: Range: 0 F - 150 F  
 Liquid Level: Reading: 0  
 Condition: Good  
 Condition: Good  
 Condition: Good

Recommended Actions: 1. \_\_\_\_\_  
 2. \_\_\_\_\_  
 3. \_\_\_\_\_  
 NCR#

Summary: The inspected vessel features and the associated piping are considered to be in:  Poor  Fair  Good  New condition.

Additional notes are attached:  Item is suitable for service. Inspector's Signature:

White: Operations Yellow: Equipment File Pink: Data Administrator Goldenrod: IBBS Job File CI:



Vessel Owner ID A0487425	Vessel Description 3 Phase Separator	Vessel Location 100/08-12-088-15W6M	Survey Date
Additional Comments:			

Vessel Inspected Components

Inspected Component			Design Static Data				Survey Readings			Calculations			
ID	Description	Type	O.D.	Material Code	Nominal Thickness	Corrosion Allowance	Date	Reading Ave	Reading Min	Code Tmin	Short Term Corrosion Rate (mm/yr)	Long Term Corrosion Rate (mm/yr)	Calculated Remaining Life



Vessel Owner ID A0487425	Vessel Description 3 Phase Separator	Vessel Location 100/08-12-088-15W6M	Survey Date
-----------------------------	---	--	-------------

Piping Inspected Components

TML			Design Static Data				Survey		Calculations			
ID	Description	Type	Material Code	Nominal Pipe Size	Pipe Schedule	Nominal Thickness	Reading Ave	Reading Min	Code Tmin	Short Term Corrosion Rate (mm/yr)	Long Term Corrosion Rate (mm/yr)	Calculated Remaining Life

## Additional Images