

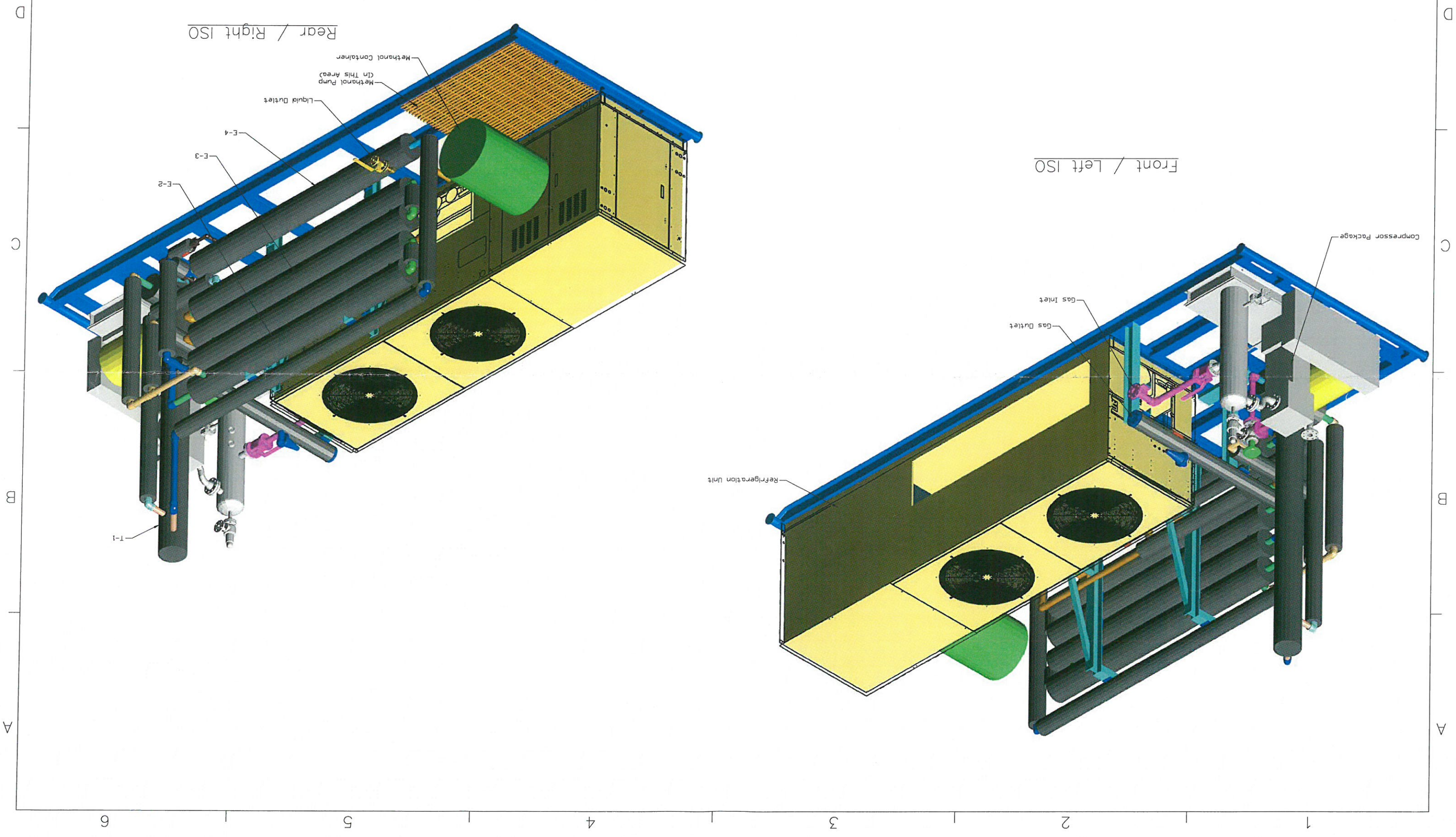
REV.	DESCRIPTION	DATE	DR. BY:	CHK'D BY:
0	For Review	02/06/13	JG/TC	JH
1	Updated For Review	05/13/13		
2	Revised For Review	06/24/13		

H&H FABRICATION LBP-30 Fuel Gas Conditioning Unit		DWG. NO.: 1303-30-GA-11 SHEET: 1 of 2 SCALE: 3/8"=1' DATE: 02/06/13
TITLE: Overall General Arrangement		

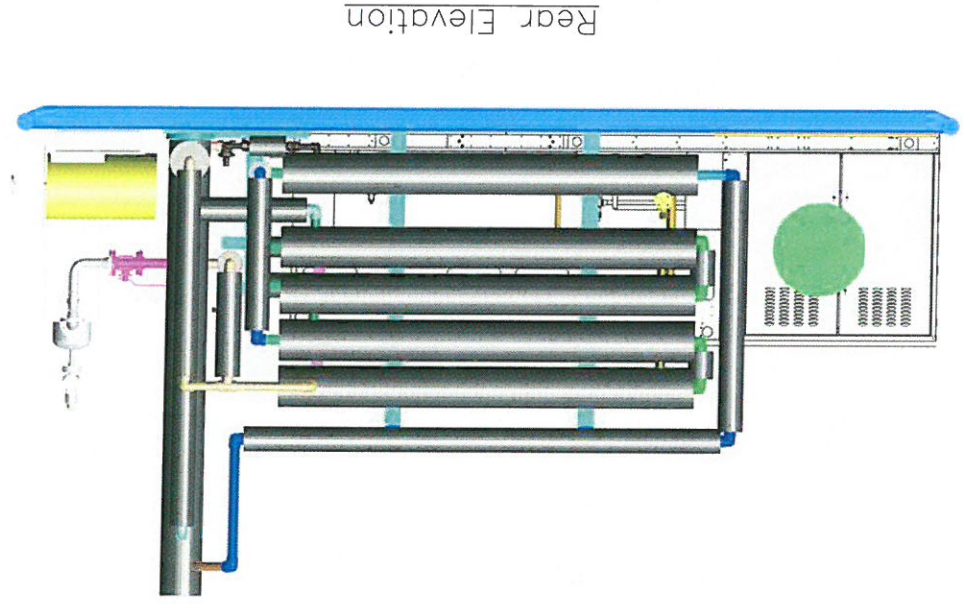
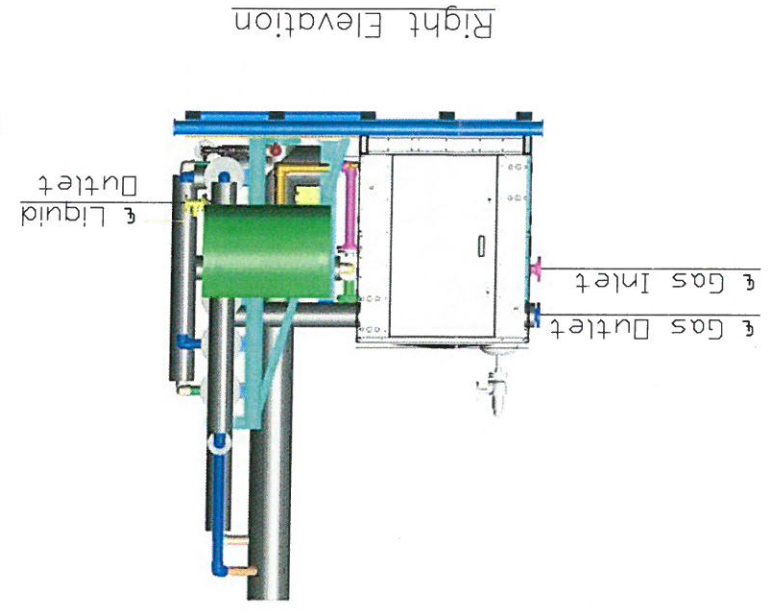
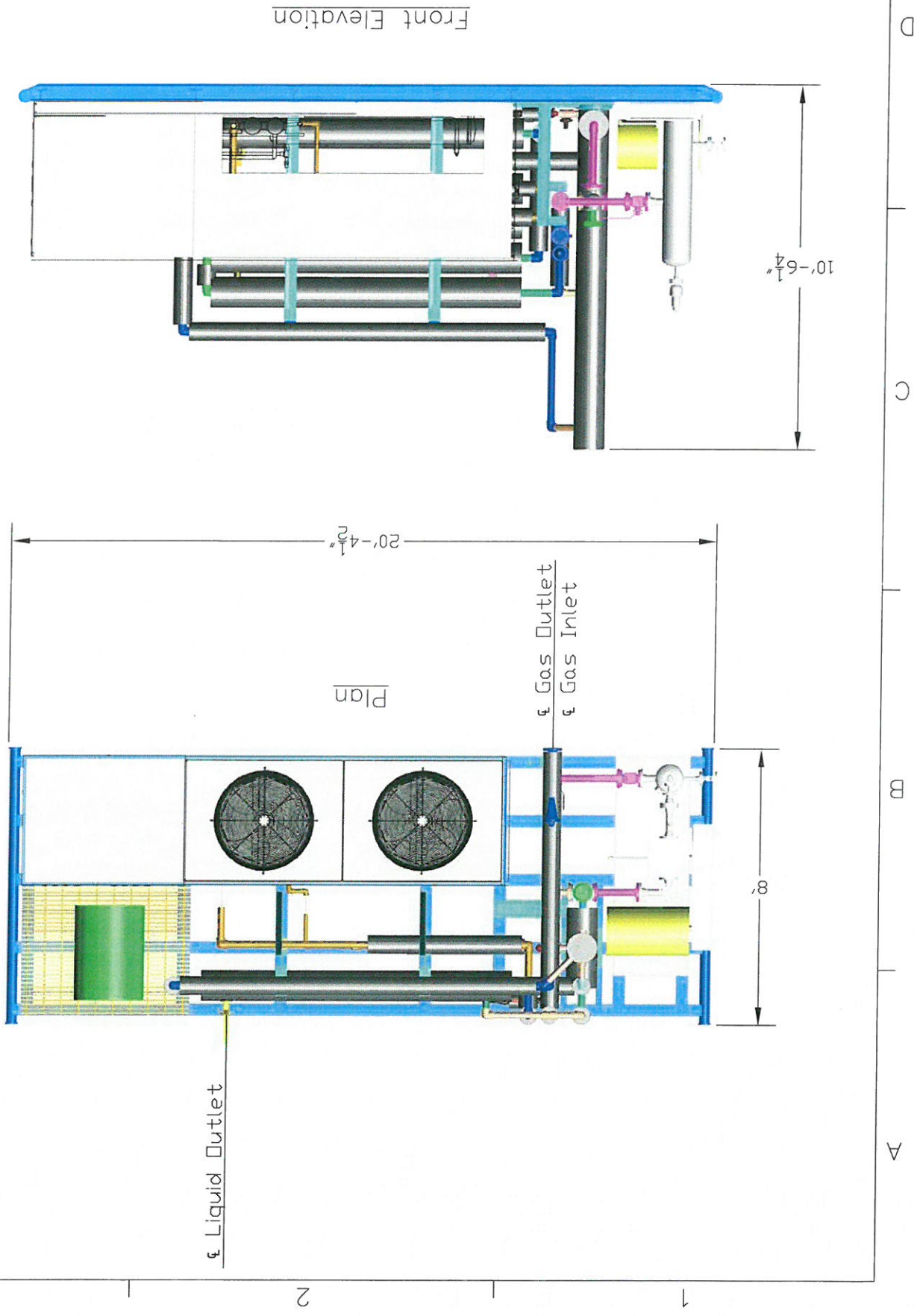
CREATIVE MECHANICAL & WELDING SERVICES, INC.
 7803 MILLER DR. FREDERICK, CO 80504
 303-776-9741 FAX 303-776-2057

THIS DRAWING IS OUR PROPERTY. ALL RIGHTS OF DESIGN, INVENTION OR USE ARE RESERVED.

Notes:
 1. All dimensions approximate.
 2. Verify connection locations in field



Notes:
 1. All dimensions approximate.
 2. Verify connection locations in field.



REV.	DESCRIPTION	DATE	DR. BY:	CH'D BY:
0	For Review	02/06/13	JG/TC	JH
1	Updated For Review	05/13/13		
2	Revised For Review	06/24/13		

H&H FABRICATION
 LBP-30
 Fuel Gas Conditioning Unit

TITLE: Overall General Arrangement
 DATE: 02/06/13
 SCALE: 1/4"=1'
 SHEET: 2 of 2

DWG. NO. 1303-30-GA-11
 CREATIVE MECHANICAL & WELDING SERVICES, INC.
 7603 MILLER DR. FREDERICK, CO 80504
 303-776-9741 FAX 303-776-2057

A B C D
 6 5 4 3 2 1