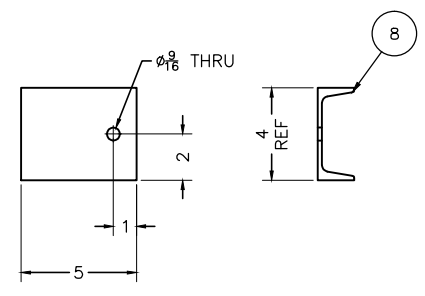
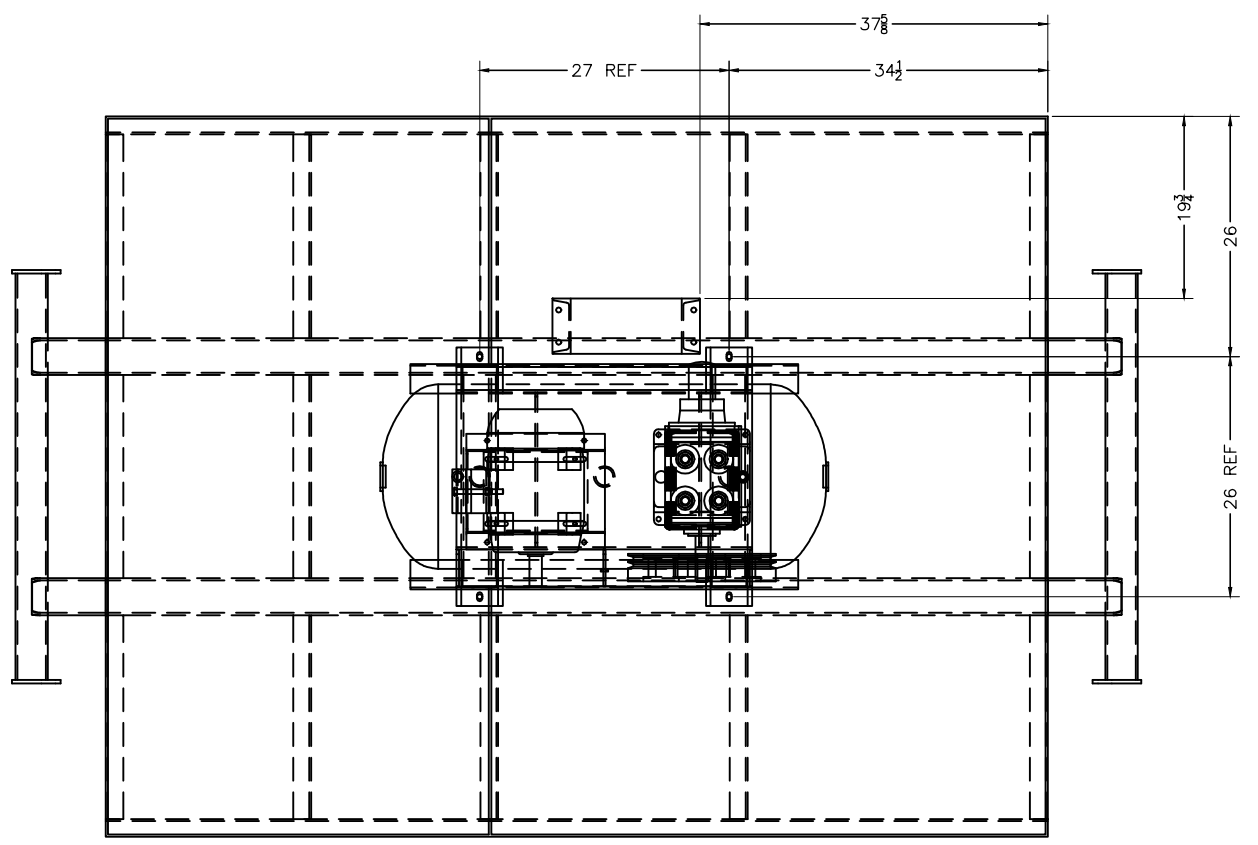
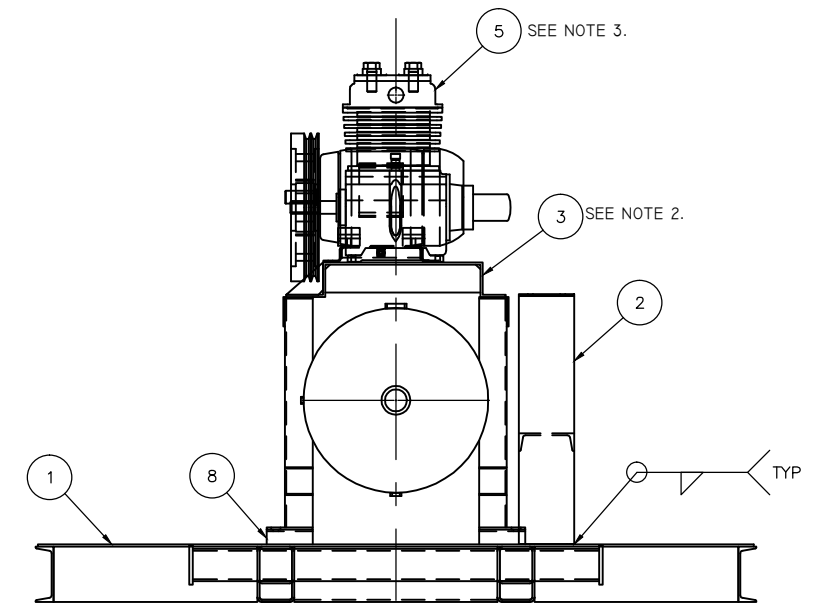
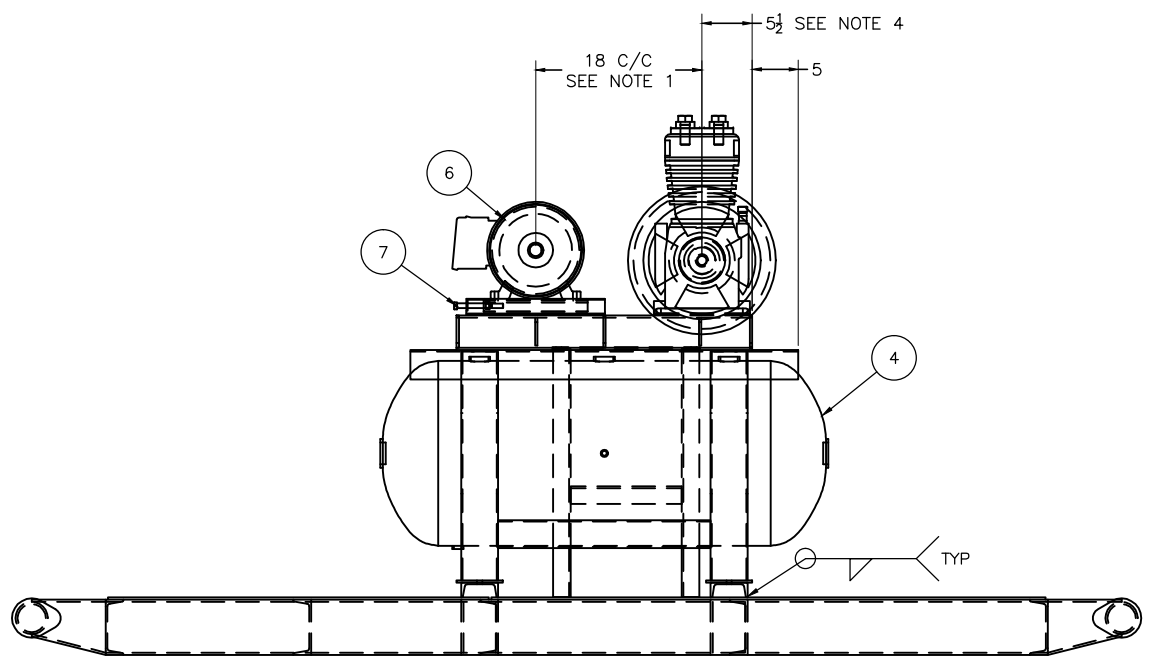
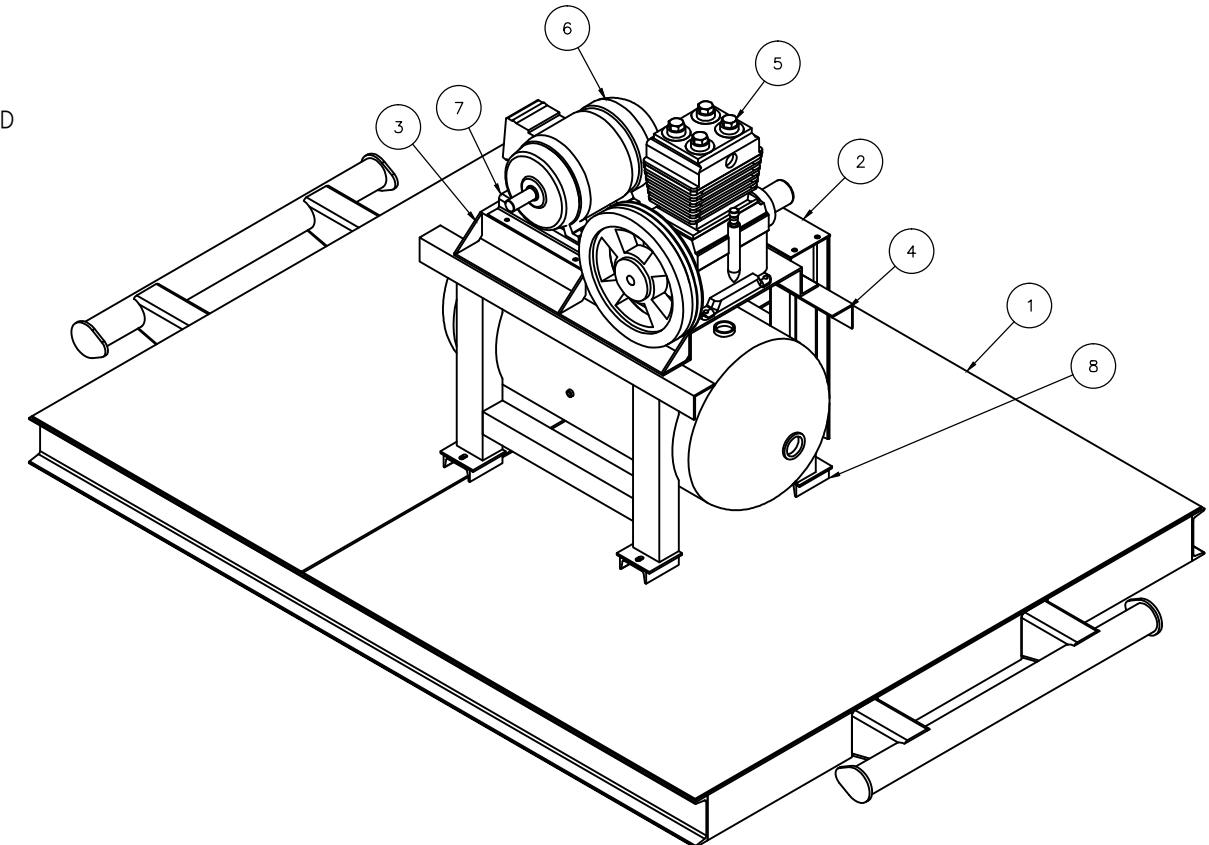


Parts List					
ITEM	QTY	NAME	NOTE	PART NO	LENGTH
1	1	SKID ASSEMBLY		1-1354	
2	1	COOLER STAND		1-1358	
3	1	TOP PLATE BENDING		1-1344	
4	1	60 GAL GRASSHOPPER VESSEL	REF P&ID	A10124	
5	1	COMPRESSOR	REF P&ID	QRNG-240	
6	1	10 HP XP ELECTRIC MOTOR	REF P&ID		
7	1	SLIDE BASE	REF P&ID	215T	
8	4	CHANNEL 4" @ 5.4 STANDARD	DETAIL ON DWG	CHANNEL 4"	5'



ITEM ?
4 REQUIRED



- NOTES:
 1. LOCATE MOTOR & MATCH DRILL @ ASSY.
 2. DRILL & BOLT TO VESSEL @ ASSY.
 3. ALIGN COMPRESSOR INLET WITH CENTER OF VESSEL.
 4. ADJUST FOR BELT/SHEAVE TO GUSSET CLEARANCE IF REQD.

REV	DESCRIPTION	DATE	APPROVED
REVISION HISTORY			
TOLERANCES		DO NOT SCALE DRAWINGS	WELDS
FABRICATION TOLERANCE = ± .015			ALL WELDS ARE F FILLET UNLESS NOTED OTHERWISE
THE DESIGN AND SPECIFICATIONS ON THIS DOCUMENT ARE THE PROPERTY OF BRITANNIA COMPRESSION LTD. AND SHALL NOT BE REPRODUCED OR COPIED IN ANY FORM WITHOUT WRITTEN PERMISSION BY AN OFFICER OF THE COMPANY.			
DC Britannia Compression		CEFR	
Drawn	RQW	Date	11/19/02
Checked	EU	Date	11/19/02
Approved		Date	
Scale	NTS	Weight (net)	lbs
Size	D	Dwg No.	I-1351
Rev	A	MECHANICAL COMPONENT LOCATIONS QRNG-240 5HP-XP CASING GAS UNIT CNRL	

RELEASED FOR FABRICATION
 PROJECT ENG _____
 JOB # 20092 STEP 10
 QTY = 2 BEDD DATE 11/19/02