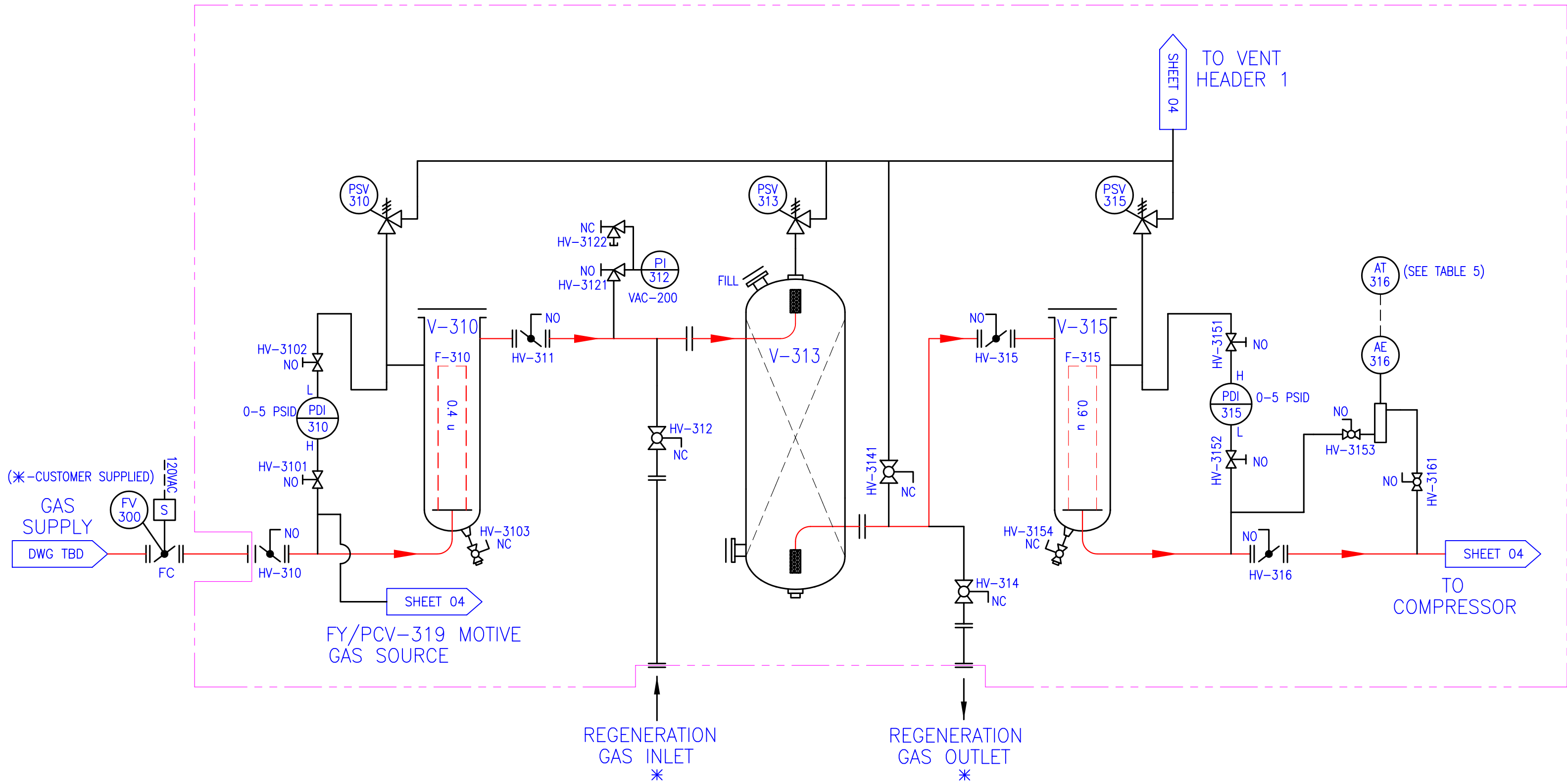
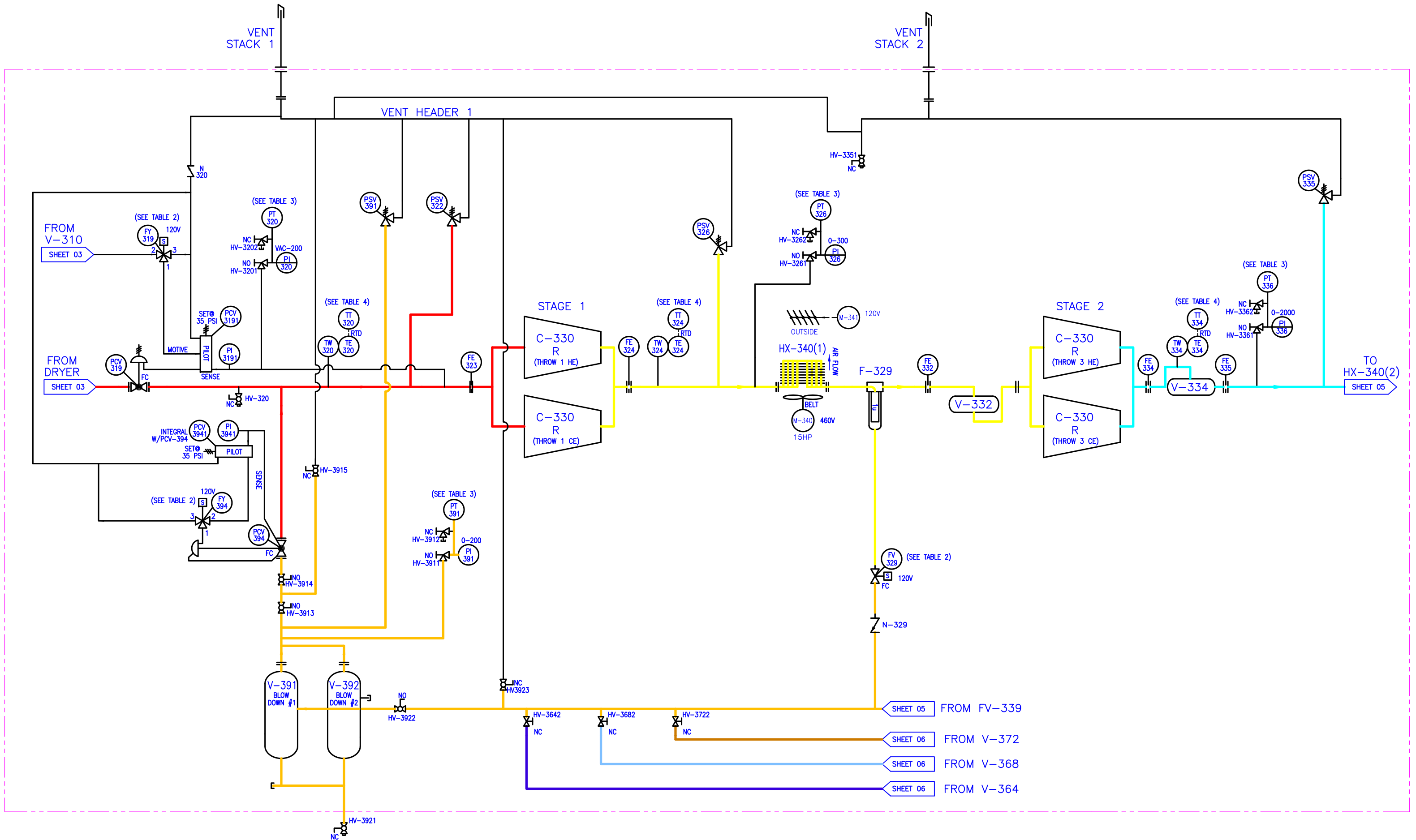


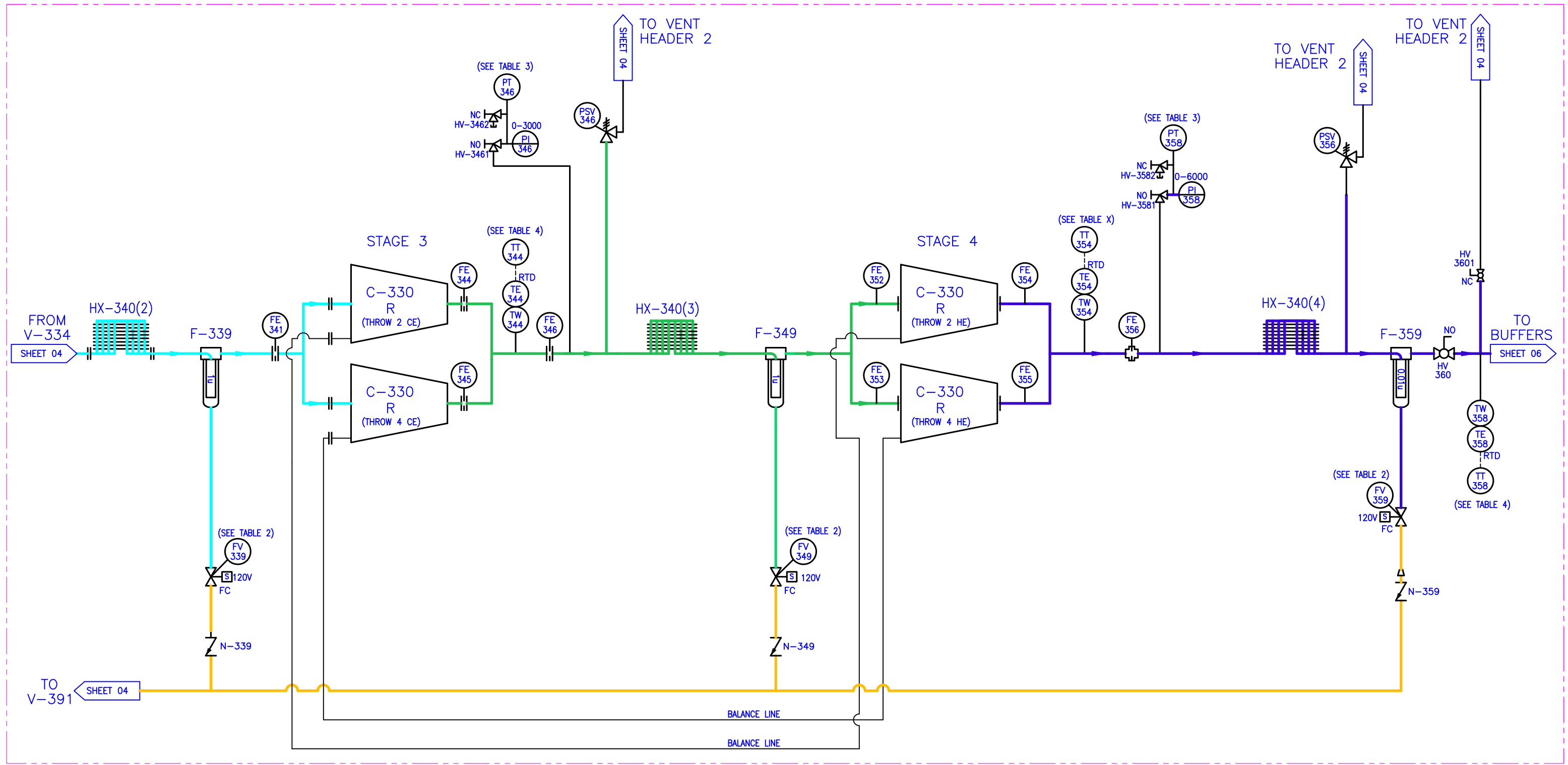
GAS DRYER



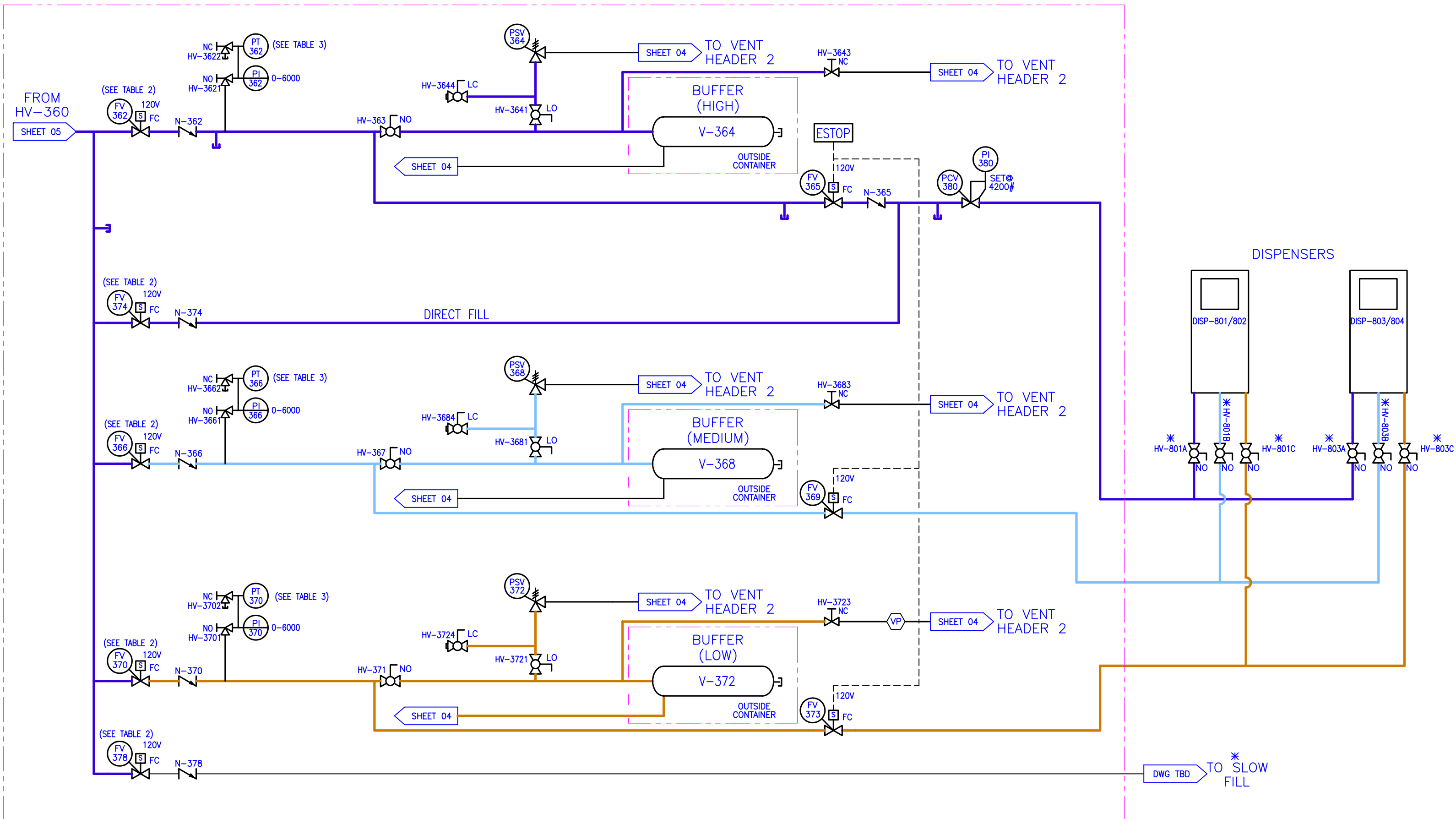
GAS COMPRESSION (STAGES 1 AND 2 WITH BLOWDOWN)



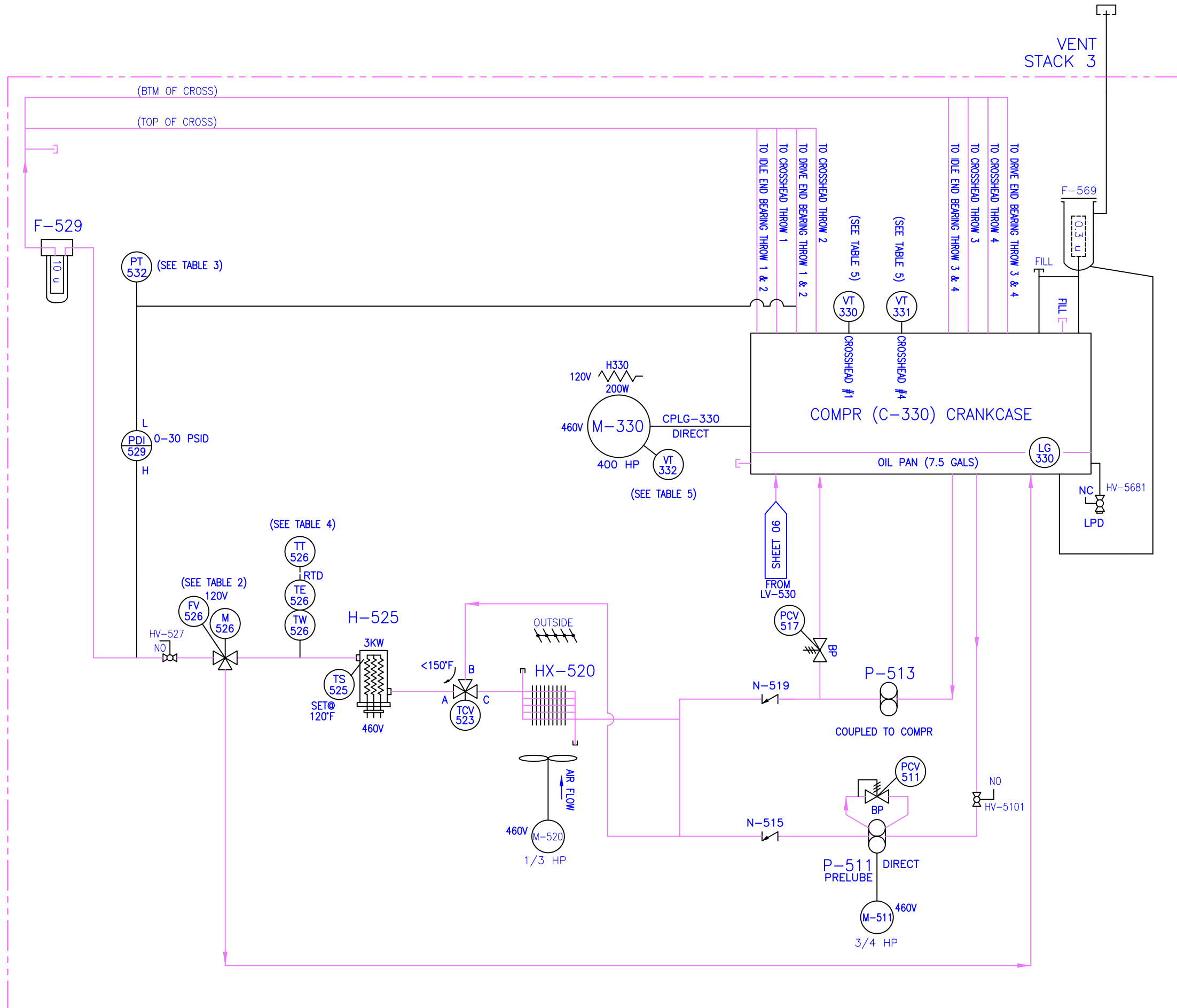
GAS COMPRESSION (STAGES 3 AND 4)



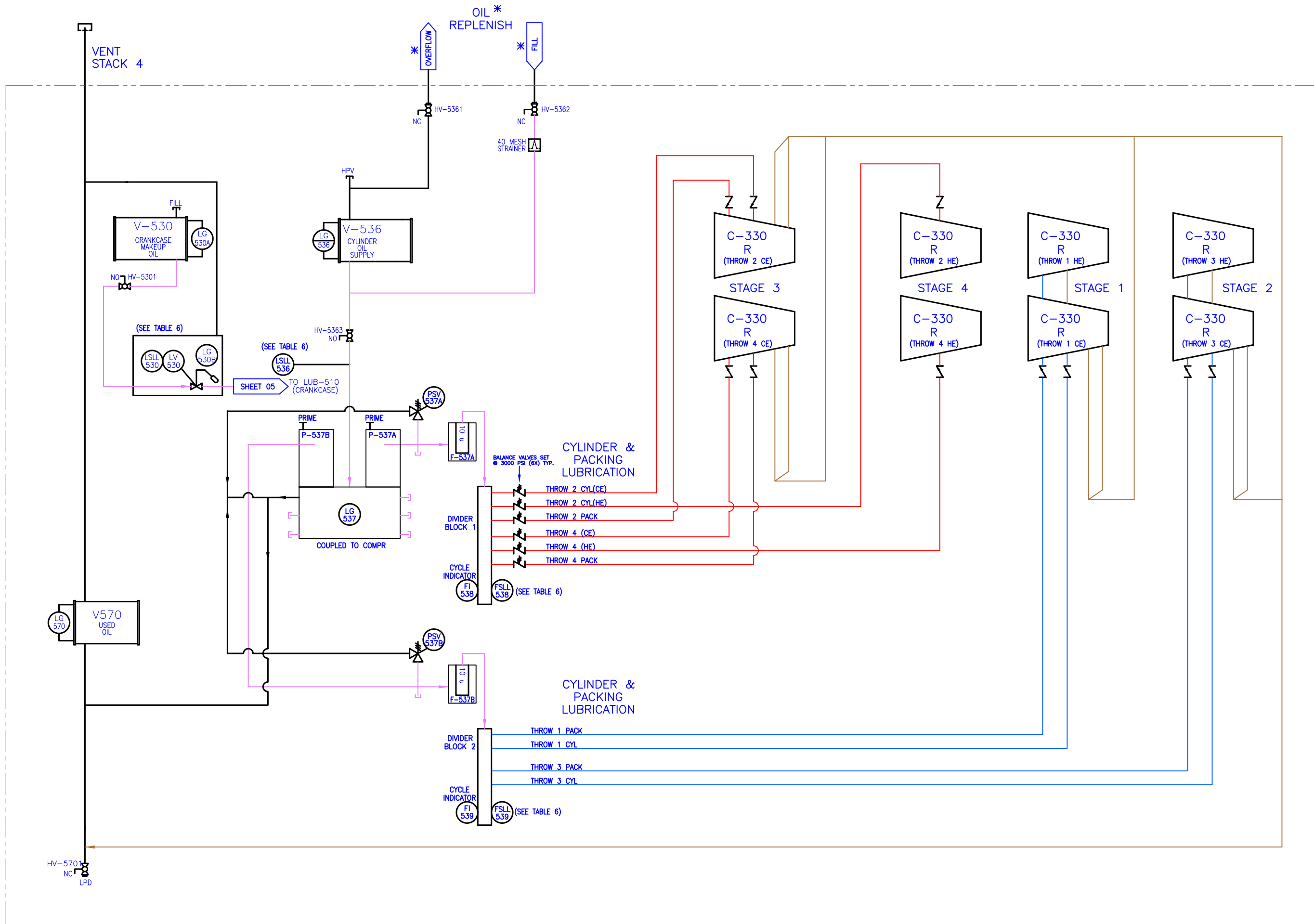
BUFFER TANKS AND DISTRIBUTION

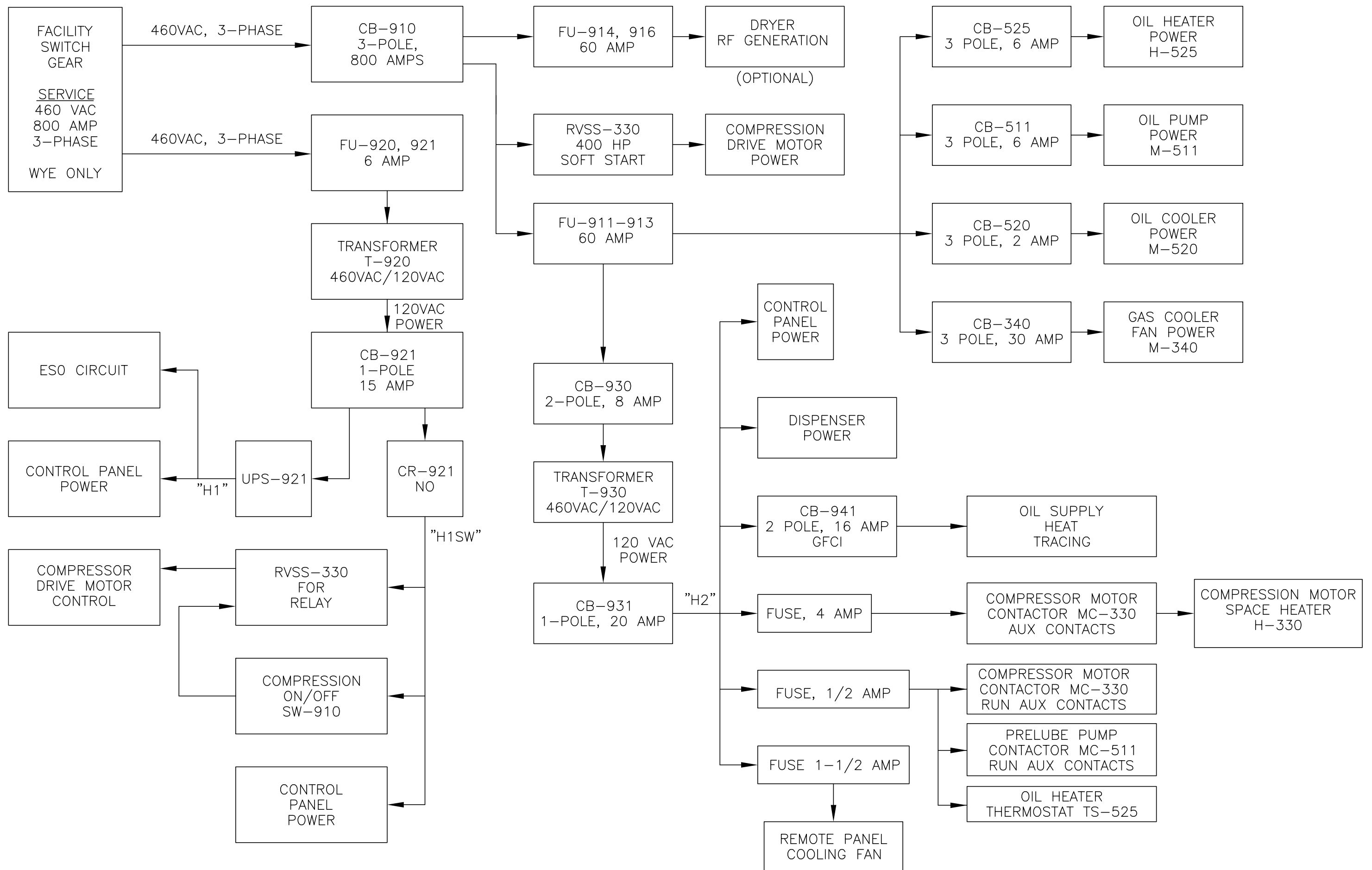


Compressor Crankcase Lubrication

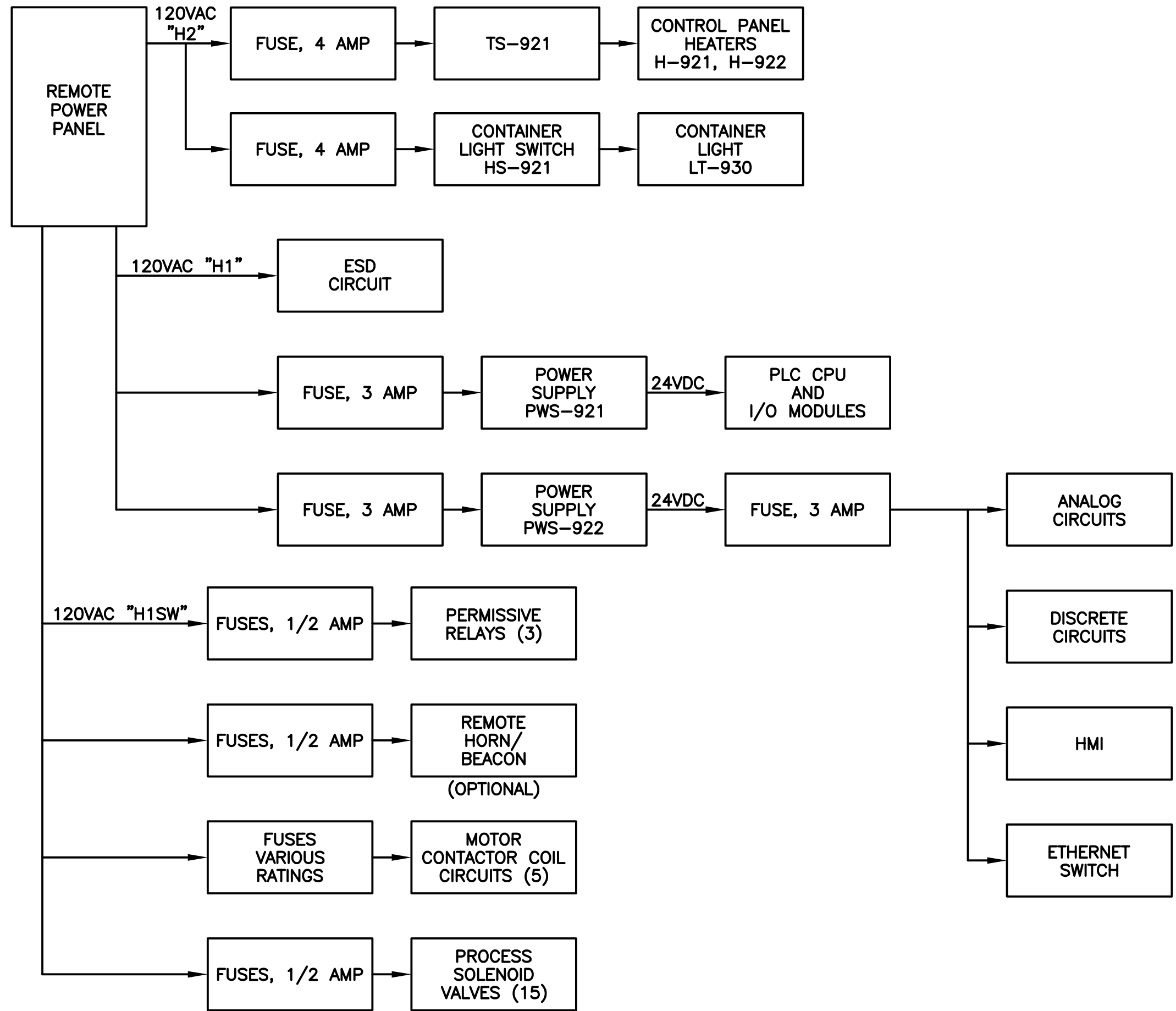


Compressor Cylinder Lubrication

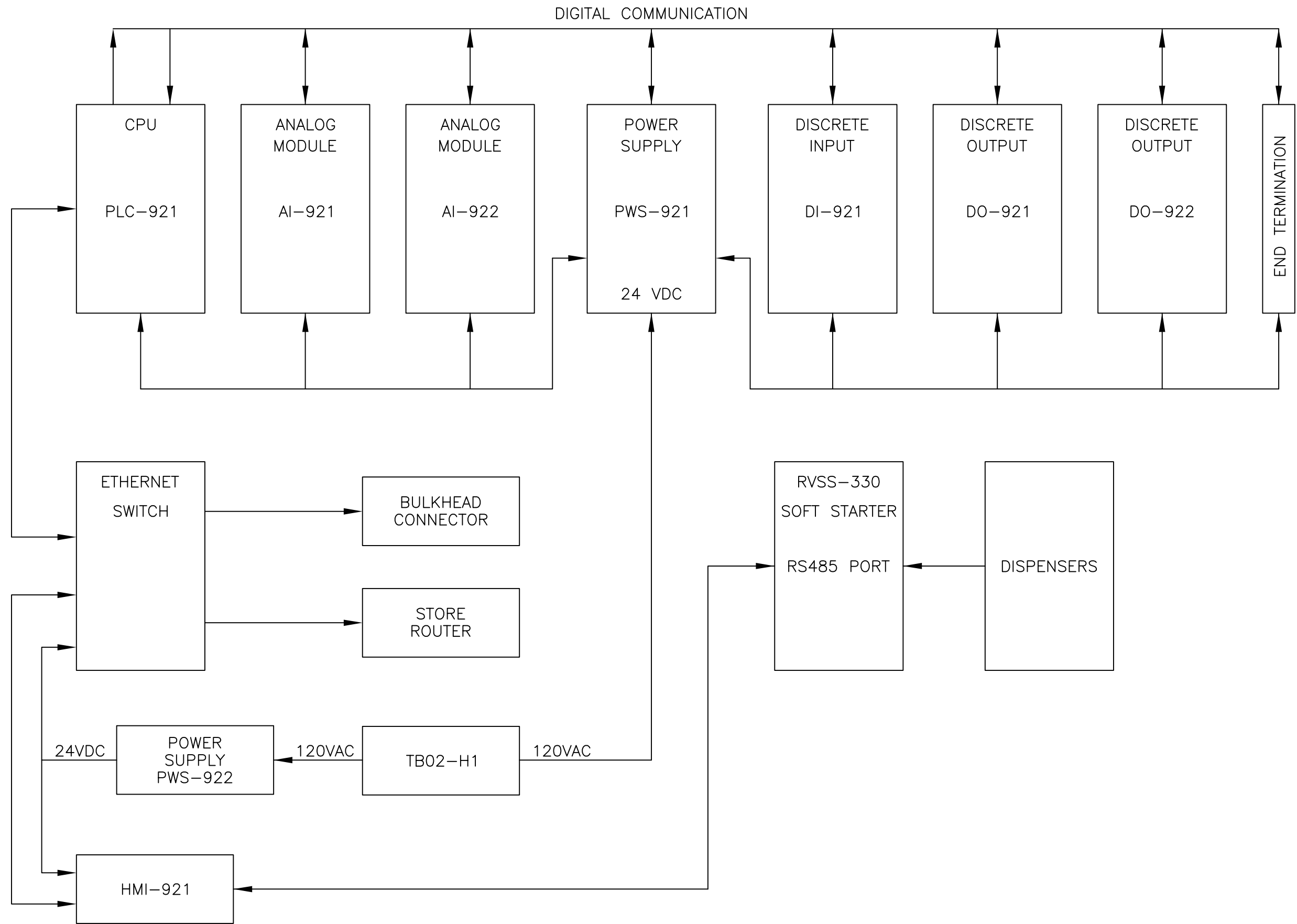




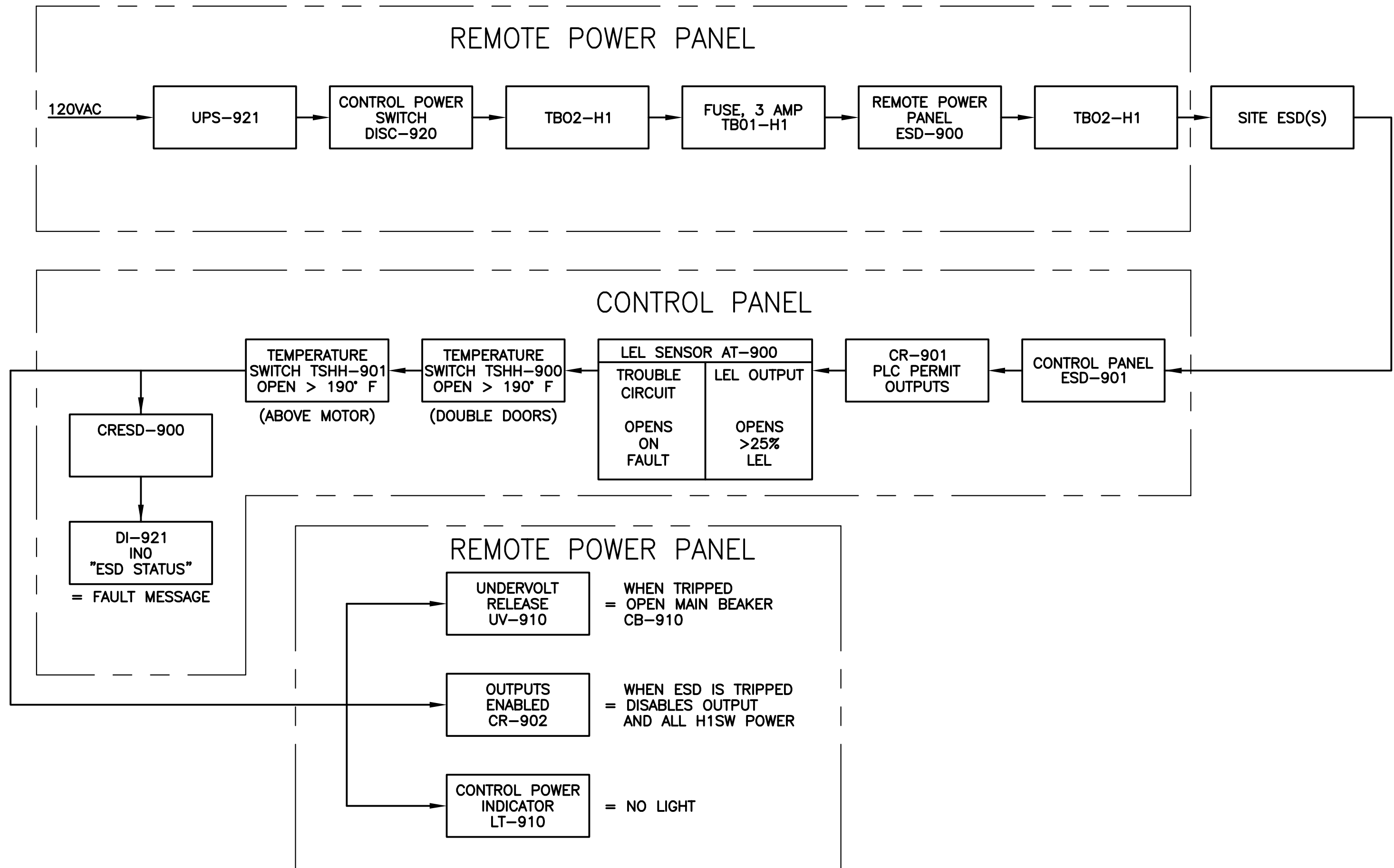
REMOTE PANEL POWER DISTRIBUTION AND CIRCUIT PROTECTION



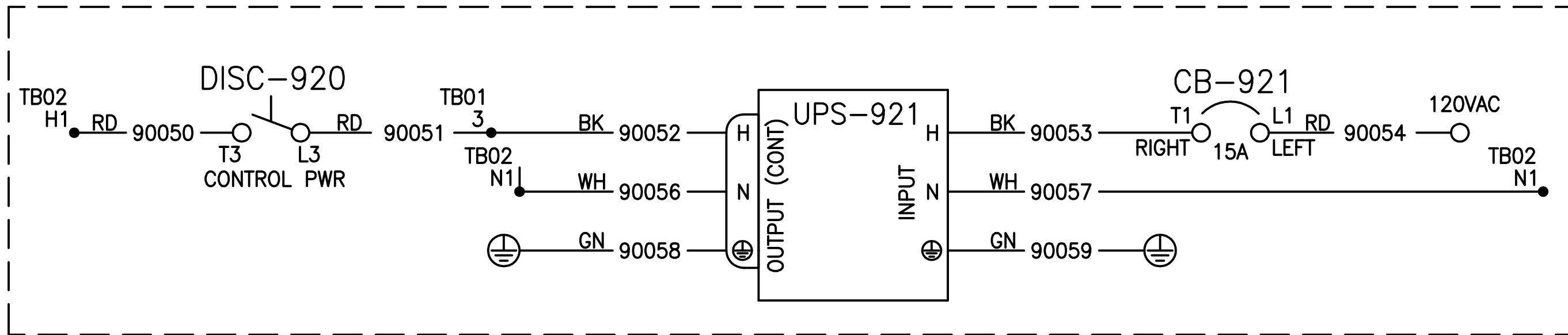
CONTROL PANEL POWER DISTRIBUTION AND CIRCUIT PROTECTION



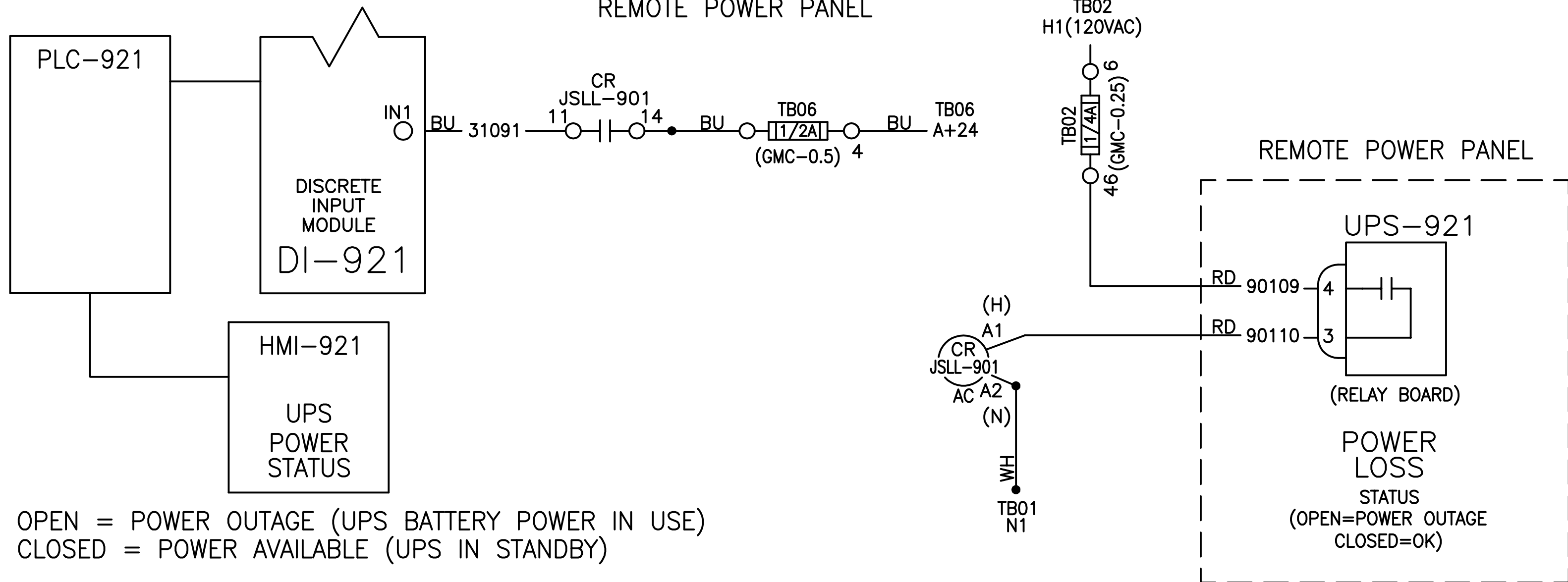
PLC AND HMI OPERATION AND COMMUNICATION



EMERGENCY SWITCHING DEVICE (ESD) CIRCUIT OPERATION

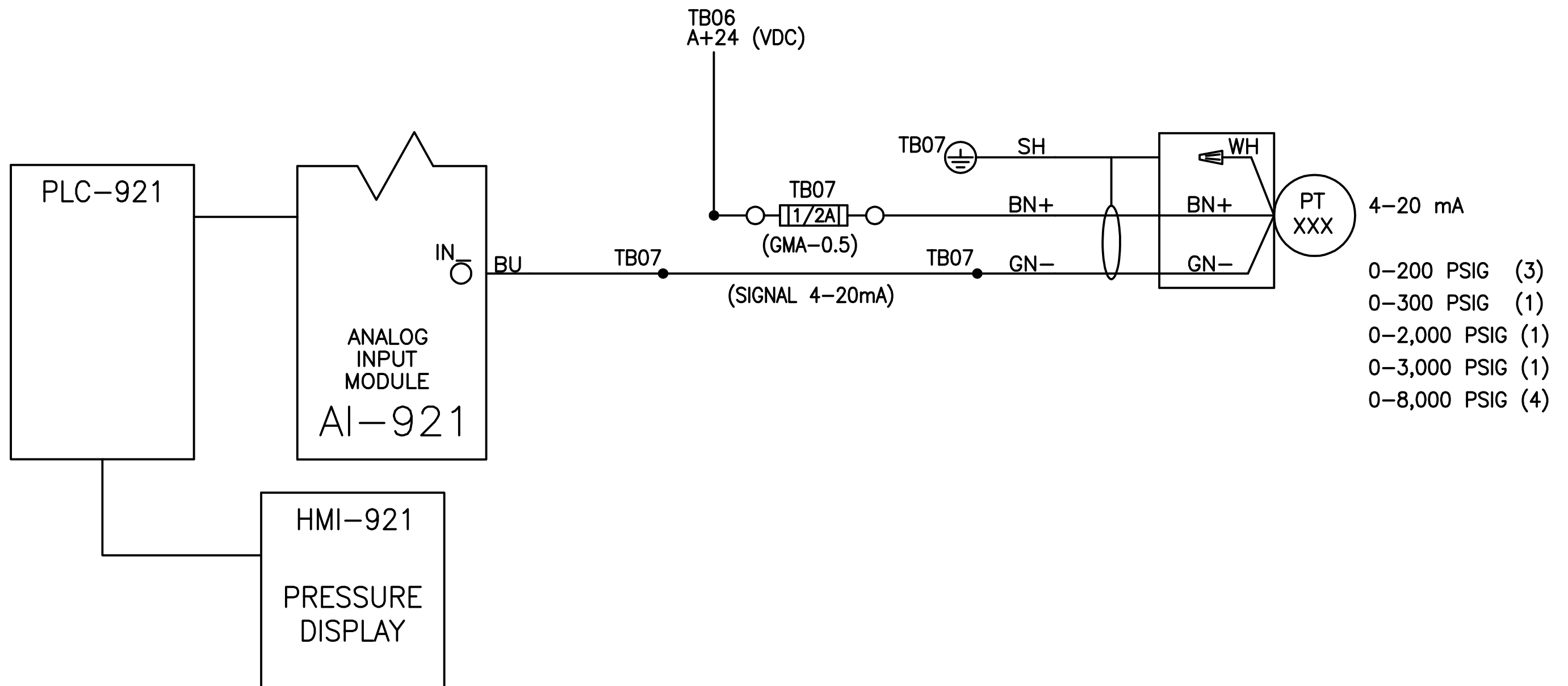


REMOTE POWER PANEL

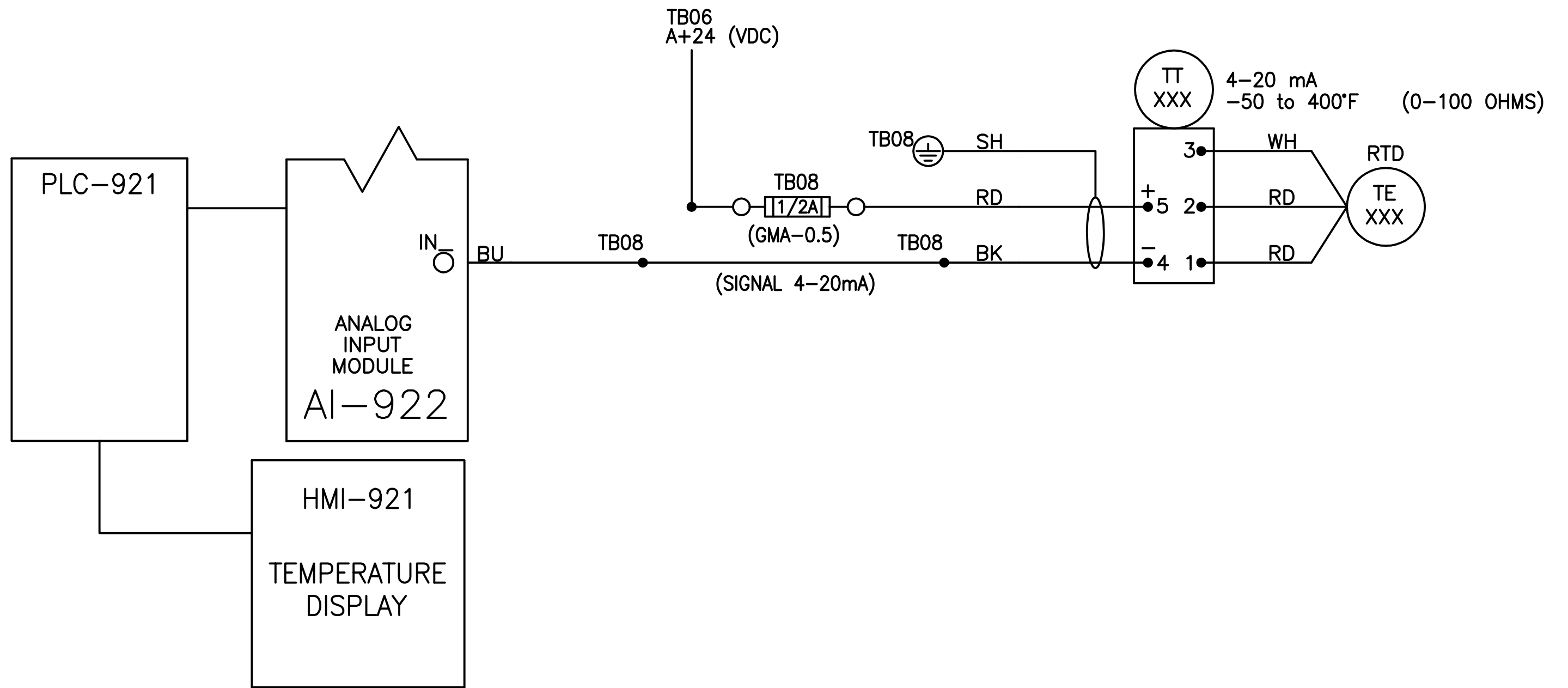


OPEN = POWER OUTAGE (UPS BATTERY POWER IN USE)
 CLOSED = POWER AVAILABLE (UPS IN STANDBY)

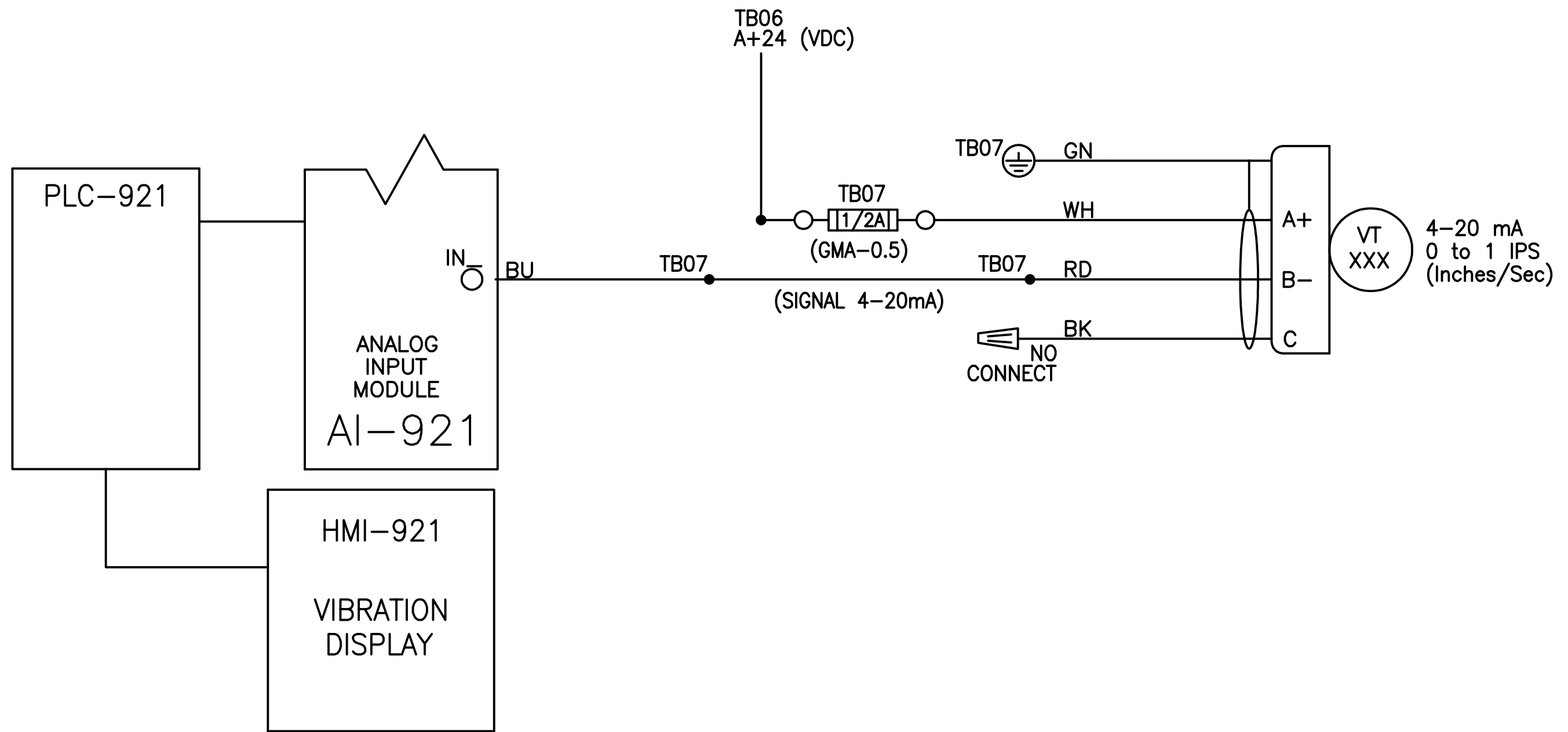
UPS POWER DISTRIBUTION AND STATUS OPERATION



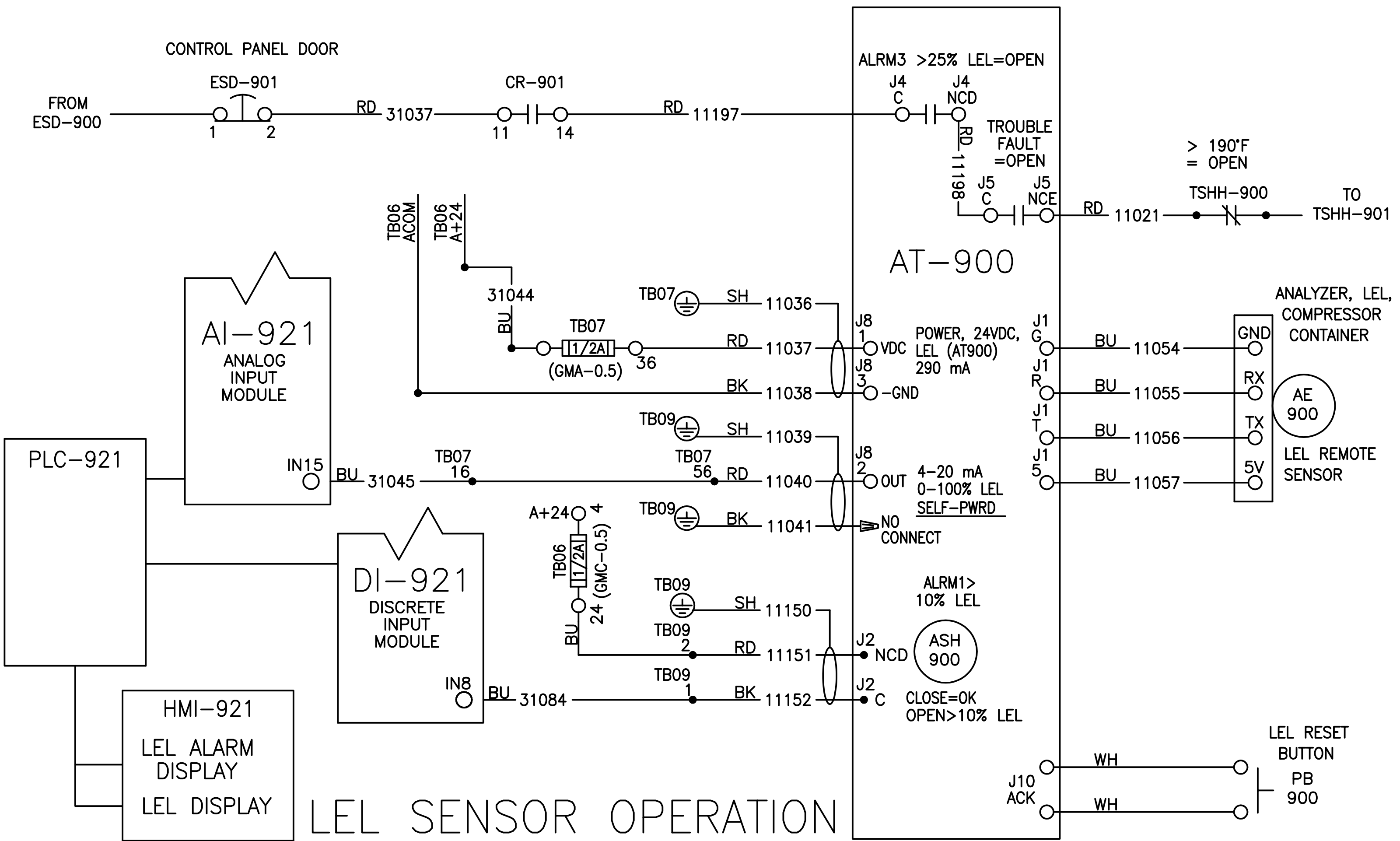
TYPICAL PRESSURE TRANSMITTER OPERATION



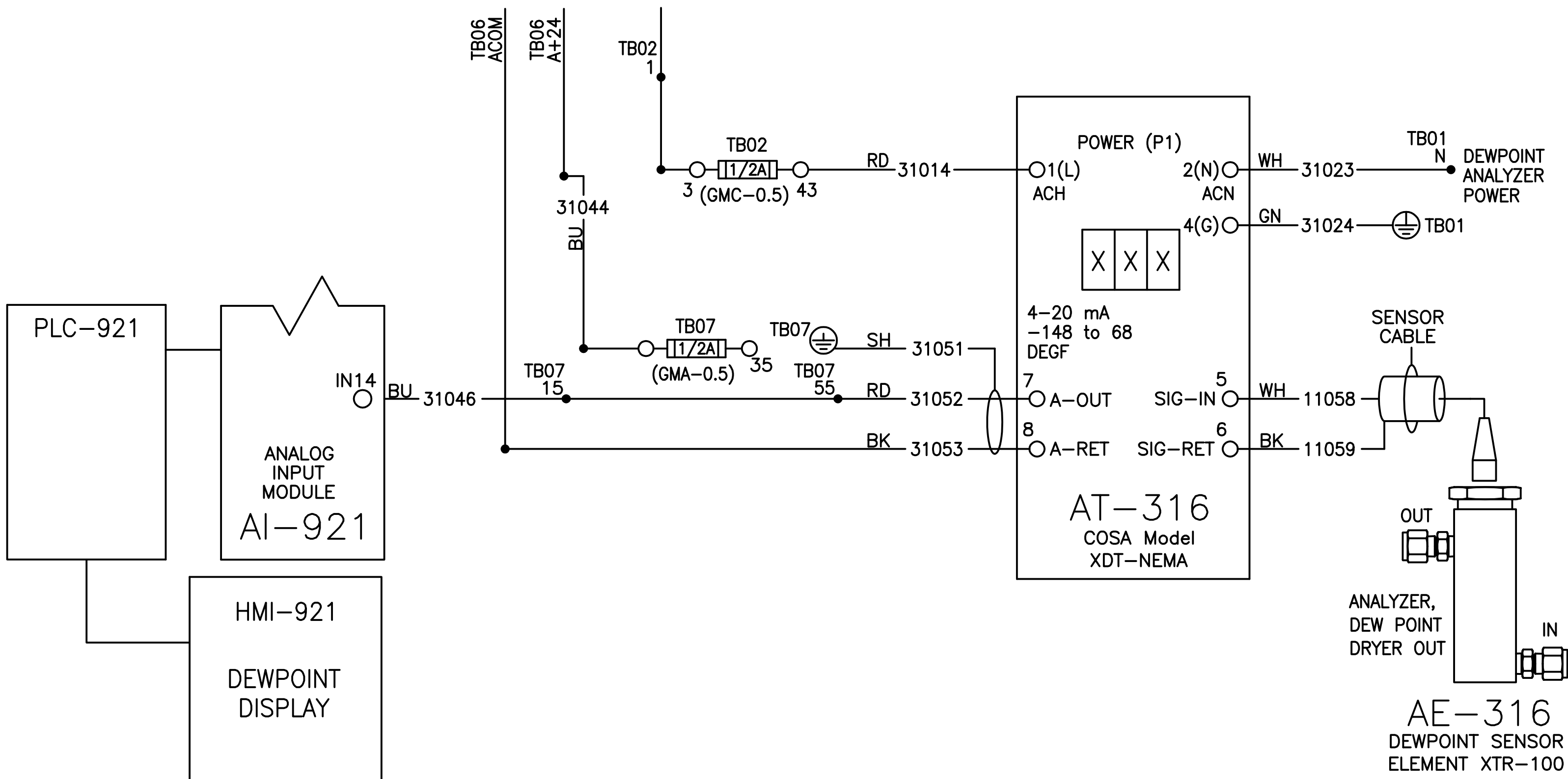
TYPICAL TEMPERATURE TRANSMITTER OPERATION



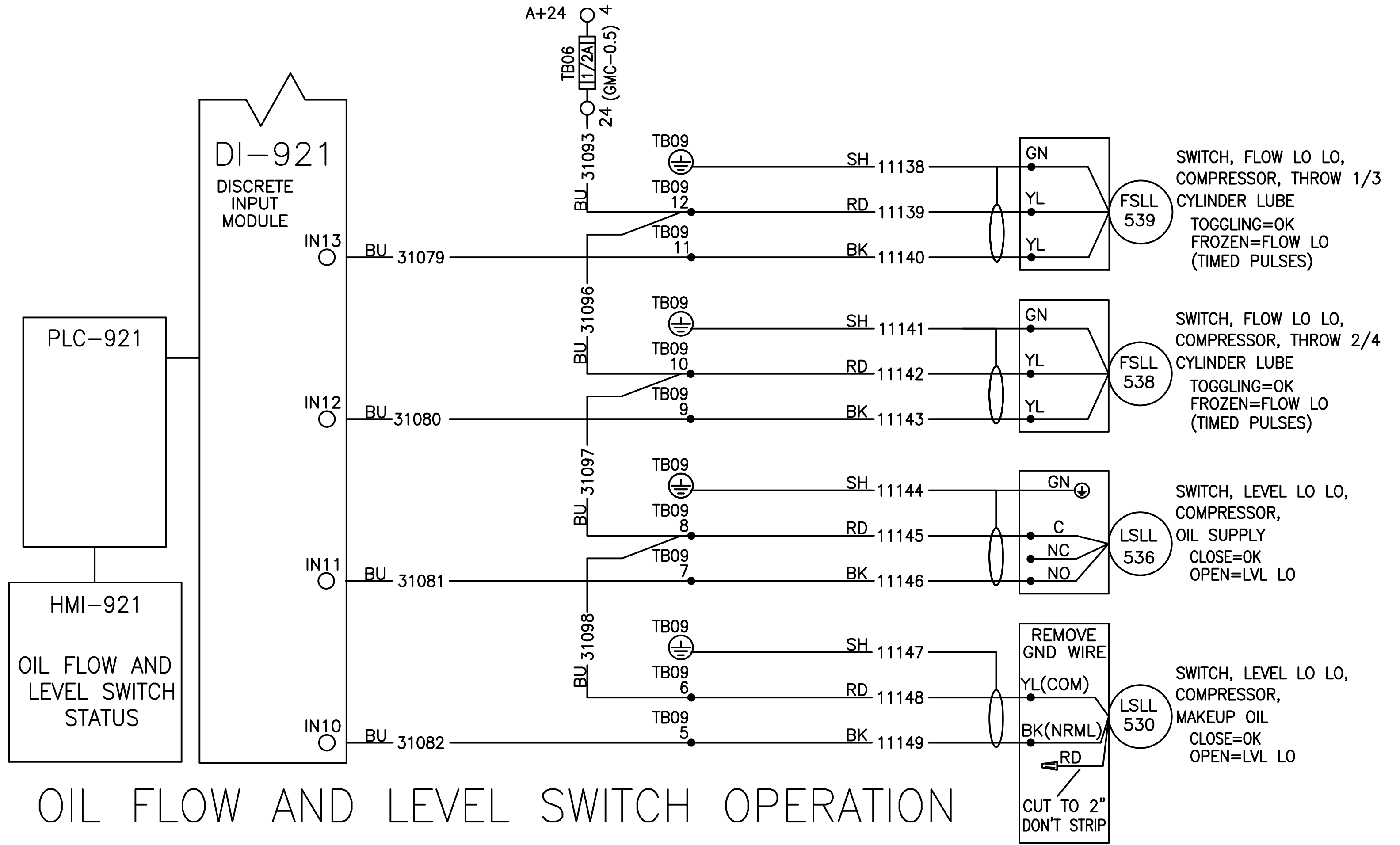
TYPICAL VIBRATION TRANSMITTER OPERATION



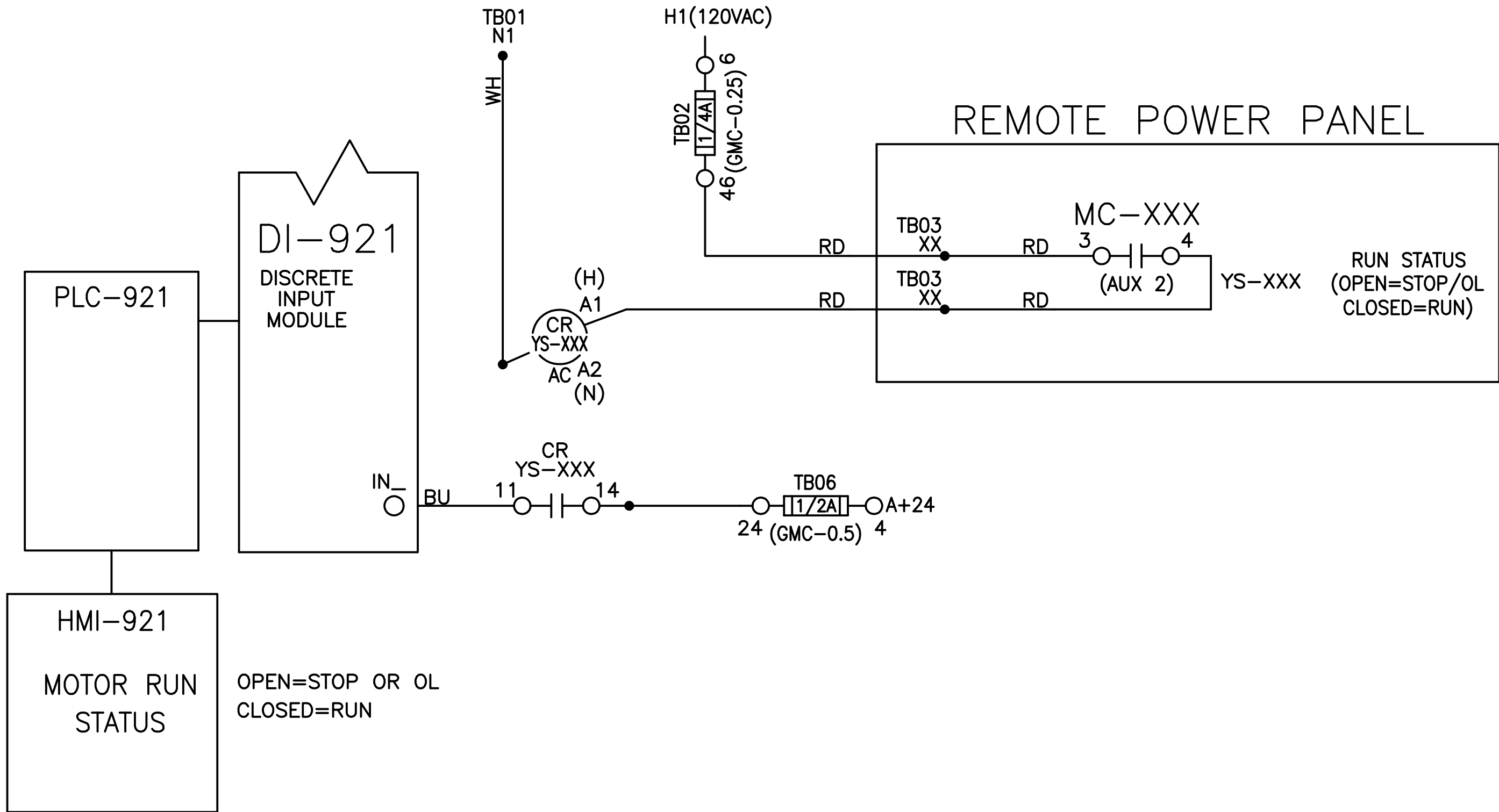
LEL SENSOR OPERATION



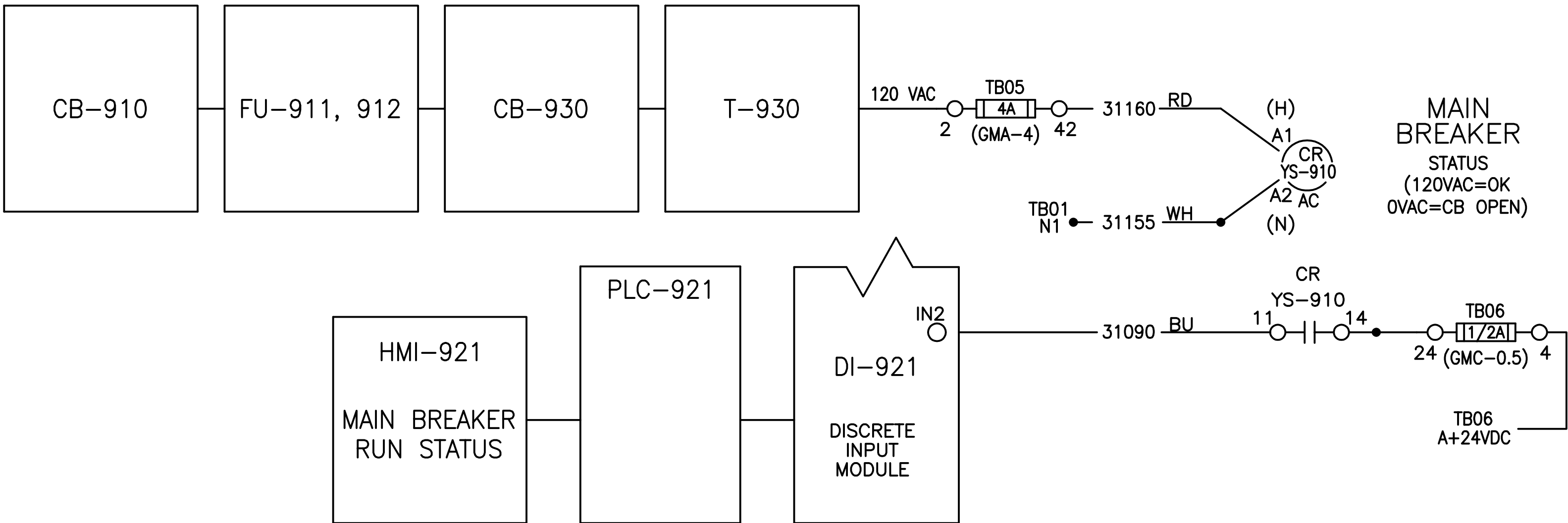
DEWPOINT SENSOR OPERATION



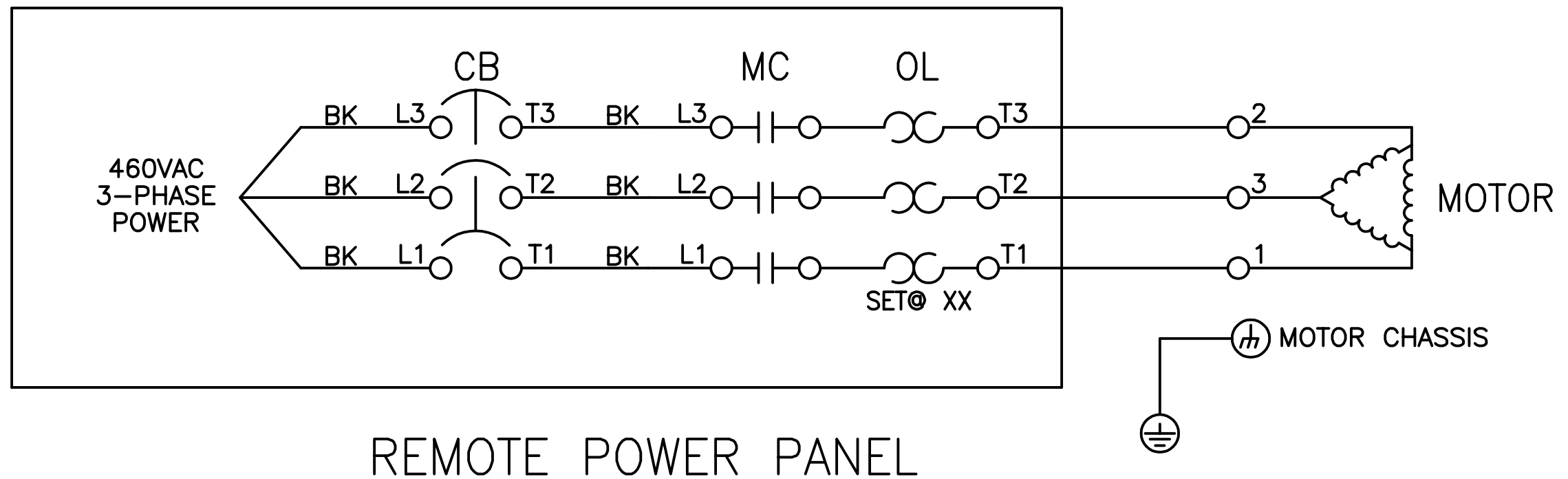
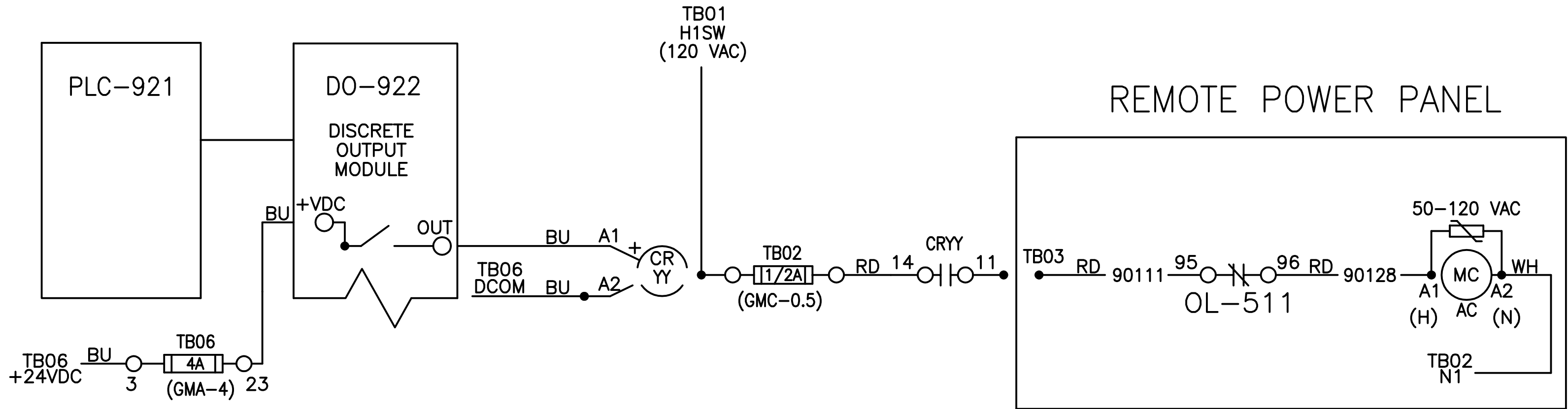
OIL FLOW AND LEVEL SWITCH OPERATION



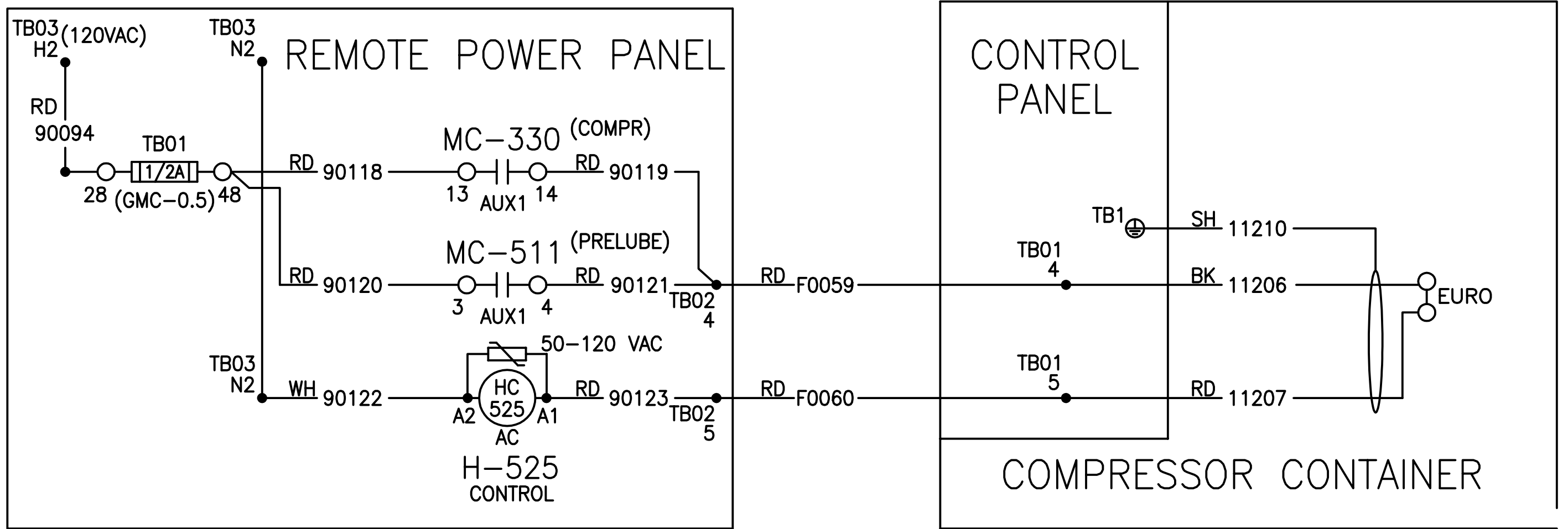
TYPICAL MOTOR RUN STATUS OPERATION



MAIN BREAKER STATUS OPERATION

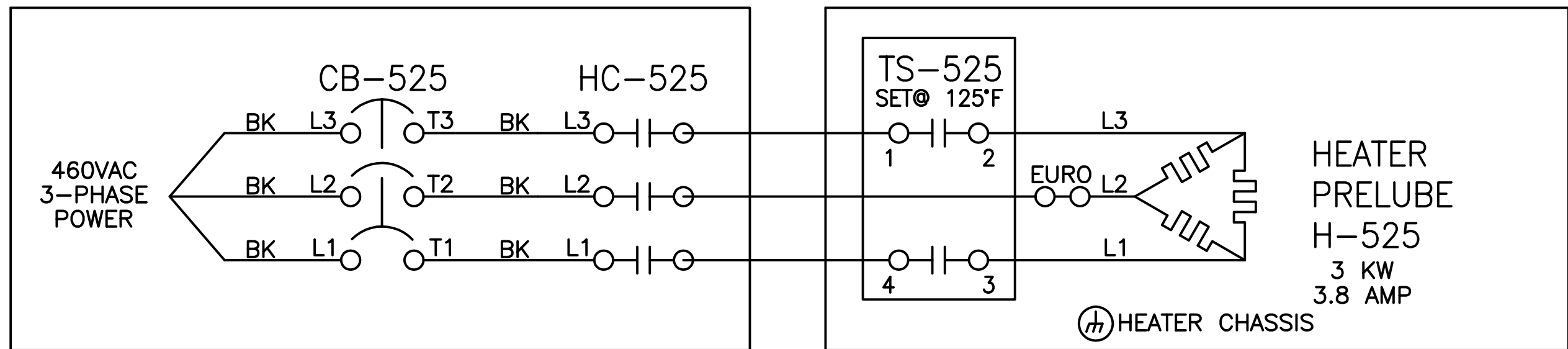


TYPICAL MOTOR CONTROL CIRCUIT

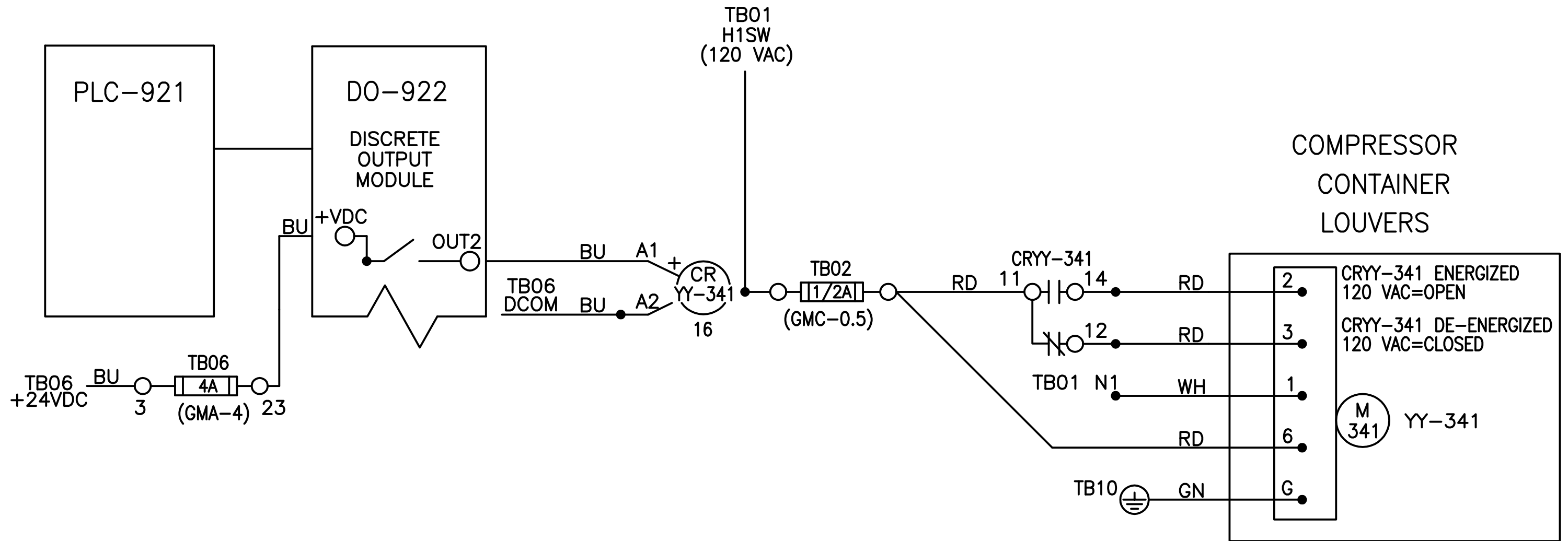


REMOTE POWER PANEL

COMPRESSOR CONTAINER

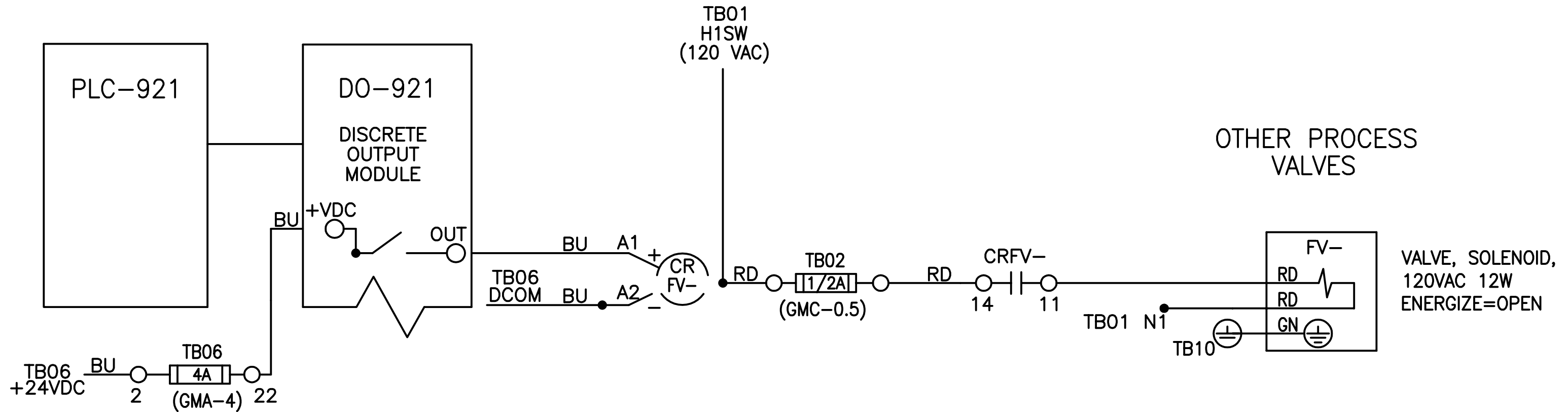
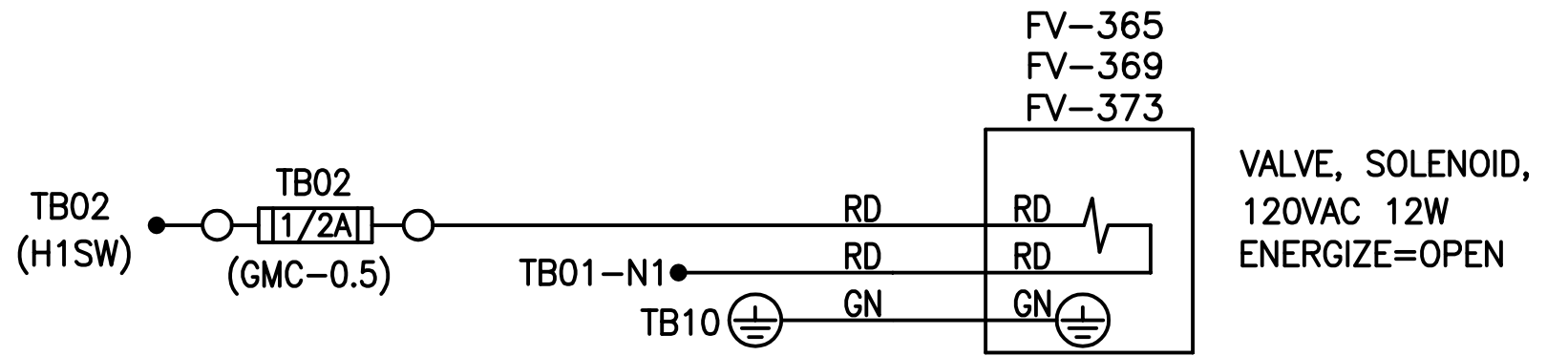


OIL HEATER CONTROL CIRCUIT

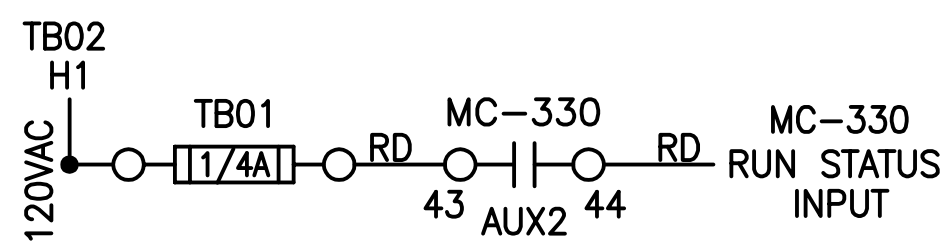
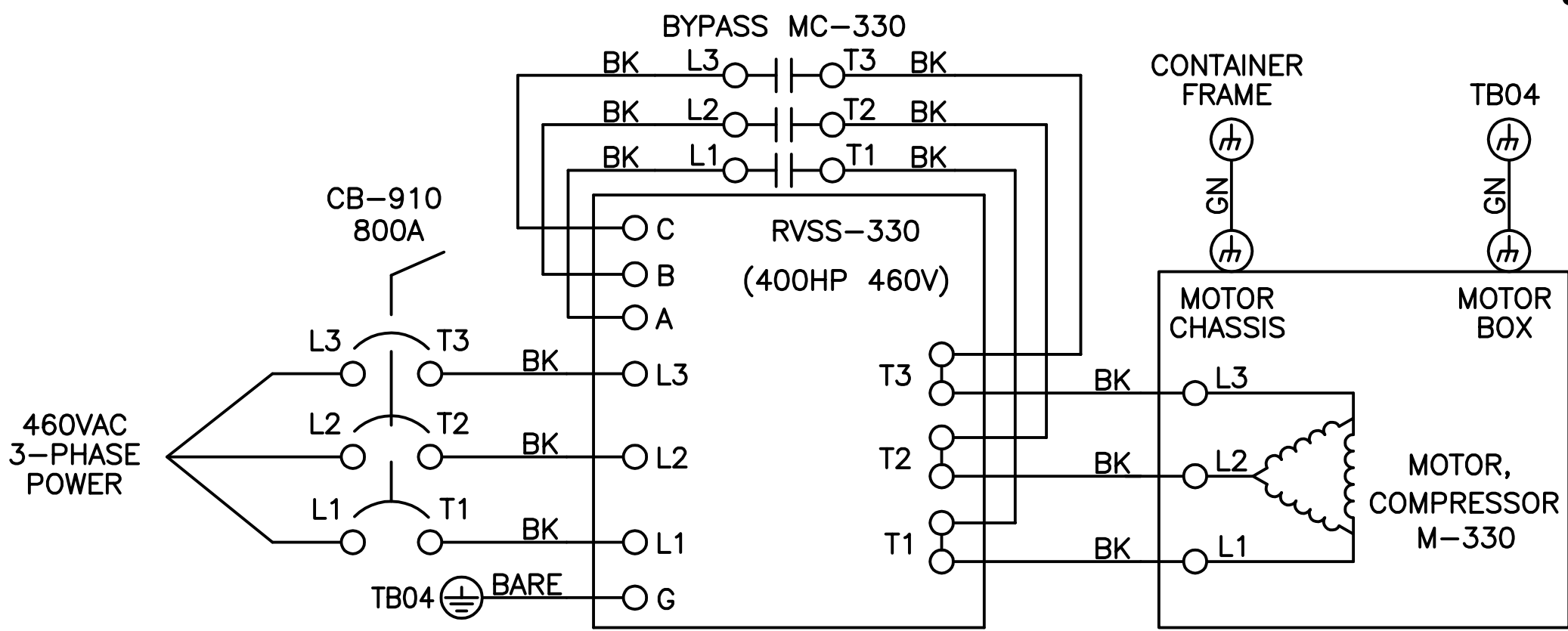
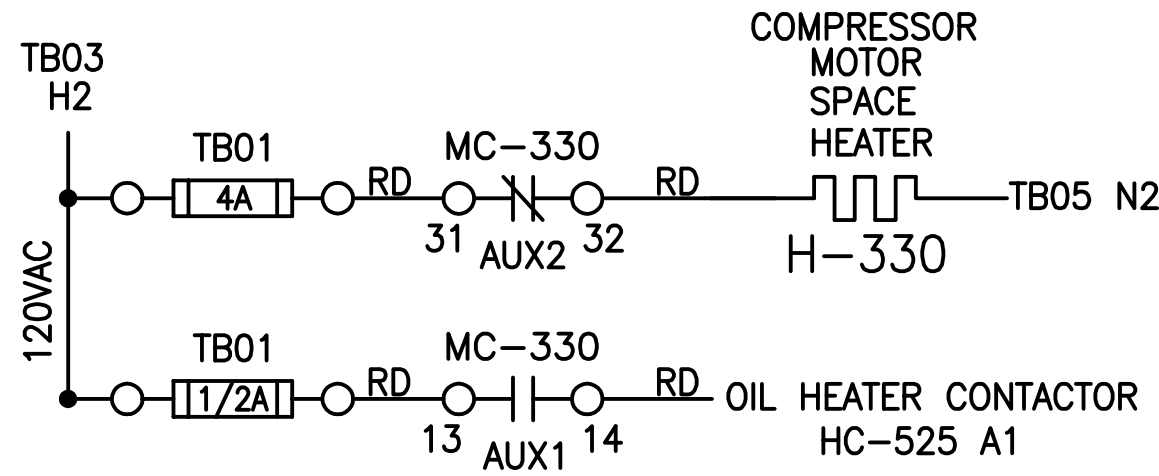
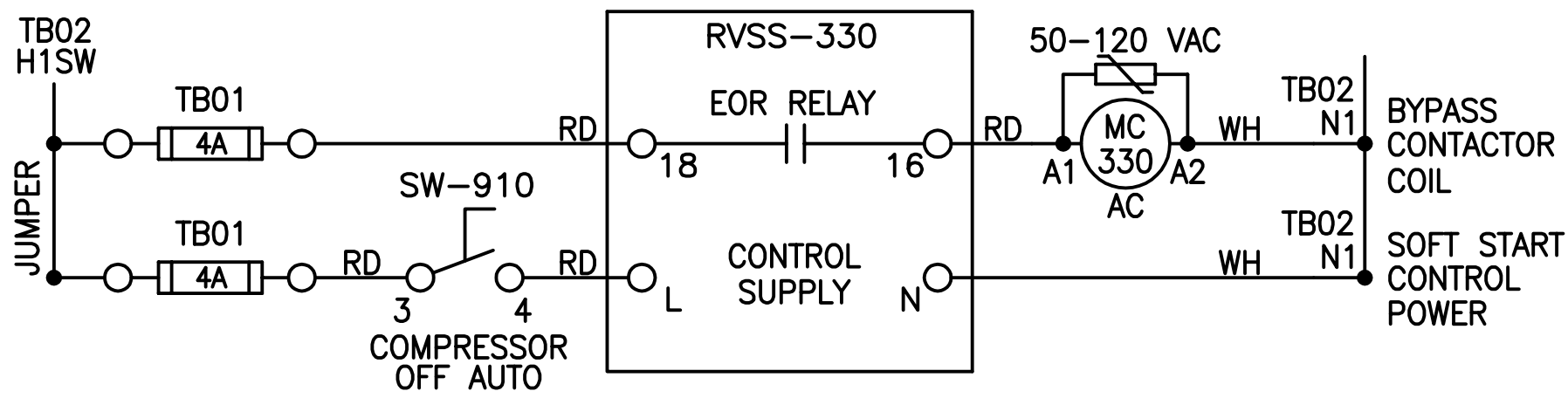
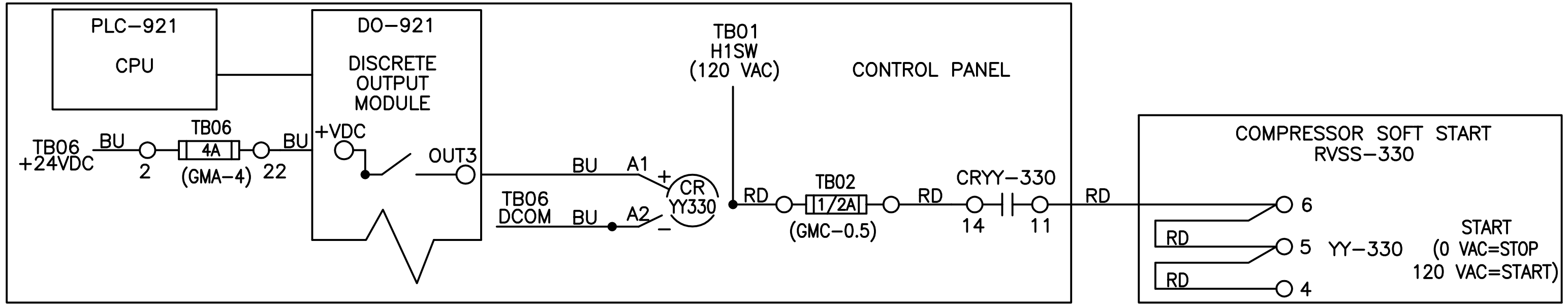


EXHAUST LOUVER MOTOR CONTROL CIRCUIT

LOW, MED, HIGH
BUFFER TANK
OUTLET VALVES



TYPICAL SOLENOID VALVE CONTROL CIRCUITS



COMPRESSOR MOTOR CONTROL CIRCUIT

NOTES: UNLESS OTHERWISE SPECIFIED

1. SHEET(s)	PANEL(s)	WIRE NUMBERS USED
6, 7, 9, 12, 13	FIELD CONNECTS	F0001-F0034, F0050-F0116
6, 7, 12, 13	REMOTE POWER PANEL	90001-90137
6, 7, 9-14	COMPRESSOR CONTAINER	11001-11113, 11138-11210
7, 9-14	CONTROL PANEL	31001-31076, 31079-31093, 31096-31160

2. DIAMONDS WITH NUMBERS (i.e. ) INDICATE FIELD CONNECTIONS BY OTHERS. SEE DRAWING "MG109-00902 REV latest LIST FIELD ELECT date.xls" FOR DETAILS.

- LV = LOW VOLTAGE 460V
- CP = CONTROL POWER 120V
- IN = INSTRUMENTATION 24V
- CM = COMMUNICATIONS
- GN = GROUND

3. * INDICATES EQUIPMENT SUPPLIED BY OTHERS.
4. ORIENT ALL VERTICAL WIRE LABELS TO BE READABLE WITH HEAD TURNED TO THE LEFT.
5. WIRING INTERNAL TO THE PANEL TO BE LANDED ON TOP SCREW. FIELD WIRING TO BE LANDED ON BOTTOM SCREW.
6. AFTER SITE ELECTRICAL CHECKED AND APPROVED BY GUILD, THESE INSTRUMENTS REQUIRE CONDUIT SEALS PACKED AND POURED BY OTHERS.
7. ROUTE COMMUNICATION CABLES ON SOFT STARTER FRONT AS SHOWN & SECURE WITH CABLE TIES. CONTINUE IN WIRE DUCT TOWARDS FRONT/LEFT OF ENCLOSURE.
8. FIELD & SKID WIRING GROUND CONNECTION TO BE WIRED TO CONDUIT GROUND BUSHING THEN ON TO GROUND TERMINAL.
9. CROSS PAGE CONECTION NUMBERS USED. 1-12.
10. SET OVERLOAD OL-520 TO EITHER 0.5 OR 0.7 BASED ON MOTOR M-520 NAMEPLATE.

SEQUENCE OF OPERATION:

- A. VERIFY EMERGENCY SHUTDOWN (ESD) BUTTONS ARE OUT.
- B. TURN ON REMOTE POWER PANEL CONTROL POWER SWITCH.
- C. PLC AND LEL POWER UP AND IF NO GAS OR FAULTS ARE DETECTED, THE PLC WILL ENERGIZE RELAY CR-901(IN CONTROL PANEL) TO ALLOW TURNING ON THE MAIN BREAKER BY ENERGIZING THE UNDER VOLTAGE LATCH.
- D. THE ESD(s), CR-901, LEL, AND FIRE TEMP SWITCH(s) CIRCUIT ALSO TURNS ON THE CONTROL POWER INDICATOR TO LET THE OPERATOR KNOW THE MAIN BREAKER CAN BE TURNED ON.
- E. THIS SAME CIRCUIT ALSO ENERGIZES CR-902 (IN REMOTE POWER PANEL). CR-902 CONTACTS CLOSE TO SUPPLY 120 VAC POWER (H1SW) TO OUTPUTS.
- F. HISW ENERGIZES RELAY CR-921 (ACTUALLY 2 RELAYS IN CONTROL PANEL) WHOSE CONTACTS CLOSE TO SUPPLY 24 VDC POWER (D+24 & DCOM) TO OUTPUTS.
- G. OPERATOR TURNS ON THE MAIN BREAKER.
- H. OPERATOR STARTS THE PLANT VIA HMI INTERFACE ON TOUCH SCREEN FOLLOWING DIRECTIONS IN THE MANUAL.

INDEX

DESCRIPTION	SHEET(S)
COVER, NOTES, SEQ OF OPER, INDEX, REV BLOCK	01
SYMBOLS LEGEND	02
FUSE TABLES	03
REMOTE POWER PANEL (LAYOUT)	04
JUNCTION BOX #930 (LAYOUT)	05
POWER/MOTORS/HEATER (460V)	06
REMOTE POWER PANEL (120V)	07
CONTROL PANEL (LAYOUT)	08
CONTROL PANEL (120V)	09
CONTROL (ANALOG INPUTS)	10 to 11
CONTROL (DISCRETE INPUTS)	12
CONTROL (DISCRETE OUTPUTS, MOTOR XTROL)	13
CONTROL (DISCRETE OUTPUTS, SOLENOID VALVES)	14


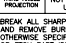
WIRE COLORS (UNLESS PROHIBITED BY MFR CABLE COLORS)

CIRCUIT DESCRIPTION	COLOR
LOW VOLTAGE 480VAC	BLACK (BK)
CONTROL VOLTAGE 120VAC (HOT)	RED (RD)
NEUTRAL (NEUTRAL)	WHITE (WH)
GROUND (PE)	GREEN (GN)
INSTRUMENT VOLTAGE 24VDC	BLUE (BU)

D	07-09-12	TLP	MKG
A	08-21-12	TLP	MKG
SHTs 2-14 REFER TO RESPECTIVE SHTs REV BLOCK WIRE NUMBERS USED NOW: FIELD CONNECTS F0001-F0034, F0050-F0113 REMOTE POWER PANEL 90001-90127 COMPRESSOR CONTAINER 11001-11113, 11138-11210, CONTROL PANEL 31001-31076, 31079-31093, 31096-31158.			
B	09-05-12	TLP	MKG
SHTs 2-14 REFER TO RESPECTIVE SHTs REV BLOCK WIRE NUMBERS USED NOW: REMOTE POWER PANEL 90001-90134 COMPRESSOR CONTAINER 11001-11115, 11138-11210 UPDATE SEQ OF OPERATION STEPS C & D.			
C	09-20-12	MKG	MKG
SHTs 3,4,6,7,9,12,13 REFER TO RESP SHTs REV BLOCK WIRE #s USED 11115, 11113, F0113 NOW F0116, 31158 NOW 31160, & 90134 NOW 90137.			
D	01-15-13	MKG	MKG
SHTs 6,7 REFER TO RESP SHTs REV BLOCK.			
E	09-09-13	TLP	MKG
ADD NOTE 10			

PROPRIETARY
9 SEPT 2013

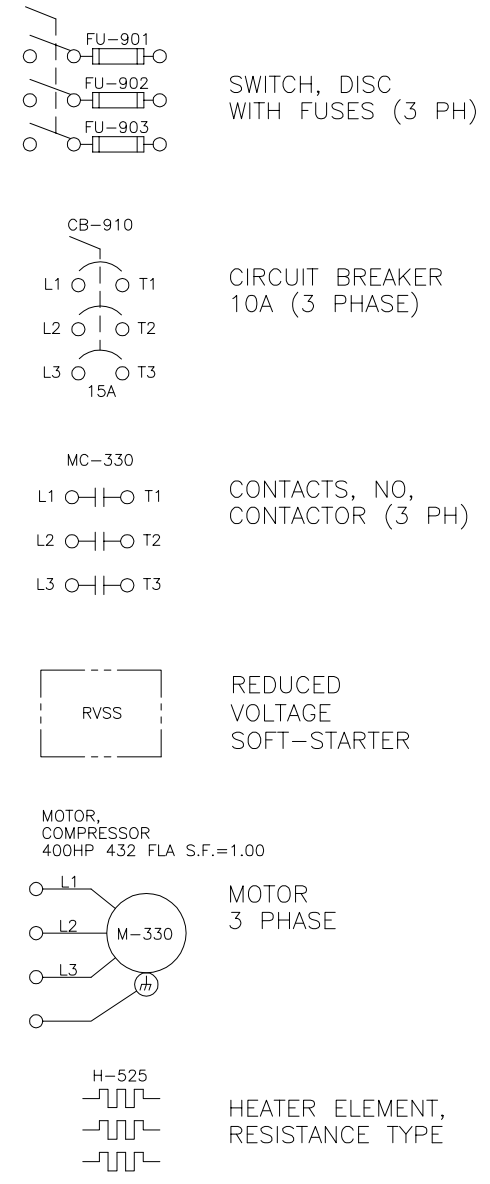
Guild Associates, Inc.
5750 SHIER RINGS ROAD
DUBLIN, OHIO 43016

	DO NOT SCALE THIS ANGLE NOT MANUALLY PREPARED	UNLESS OTHERWISE SPECIFIED: 1-PLACE DEC:±.060 2-PLACE DEC:±.030 3-PLACE DEC:±.010
	BREAK ALL SHARP CORNERS AND REMOVE BURRS UNLESS OTHERWISE SPECIFIED. STAMP OR ETCH PART IDENTIFICATION IN AREA MARKED 	WGT. R F
GE Oil & Gas	SIMILAR TO MK. -	ELECTRICAL SCHEMATIC, COVER SHEET
FILE NO. MK. -	DATE: 07-09-12	SCALE: NA
SHEET PART NO. 1/14		ISSUE: E

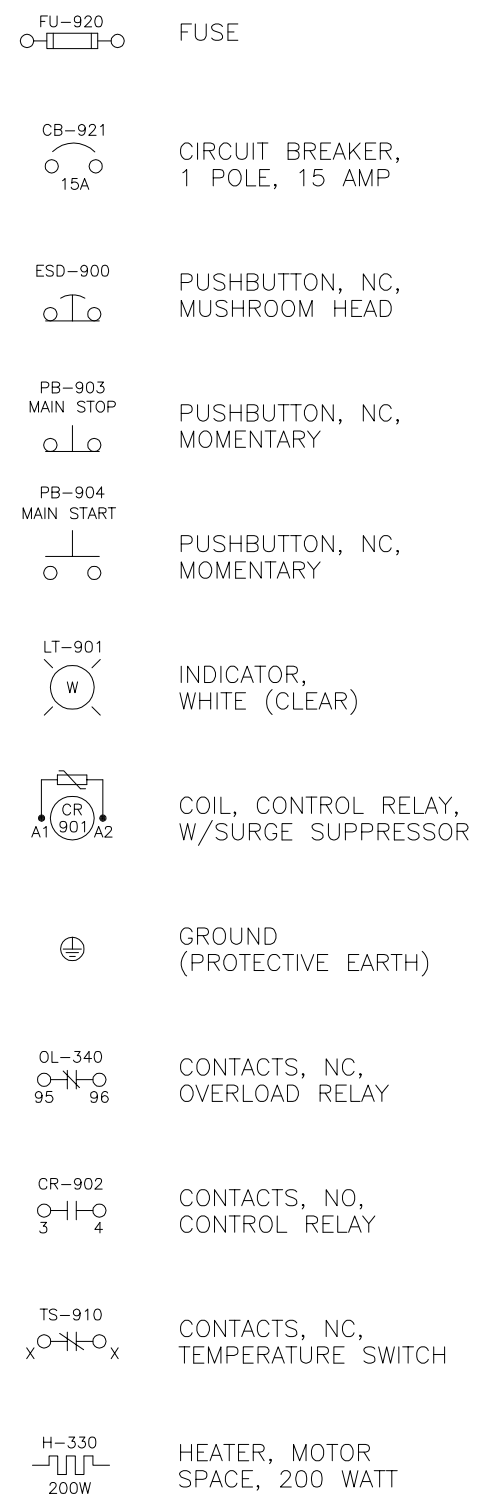
0	07-09-12	TLP	MKG
INITIAL RELEASE			
A	08-21-12	JAM	MKG
NO CHANGES			
B	09-05-12	MKG	MKG
DELETE VFD.			

SYMBOL LEGEND

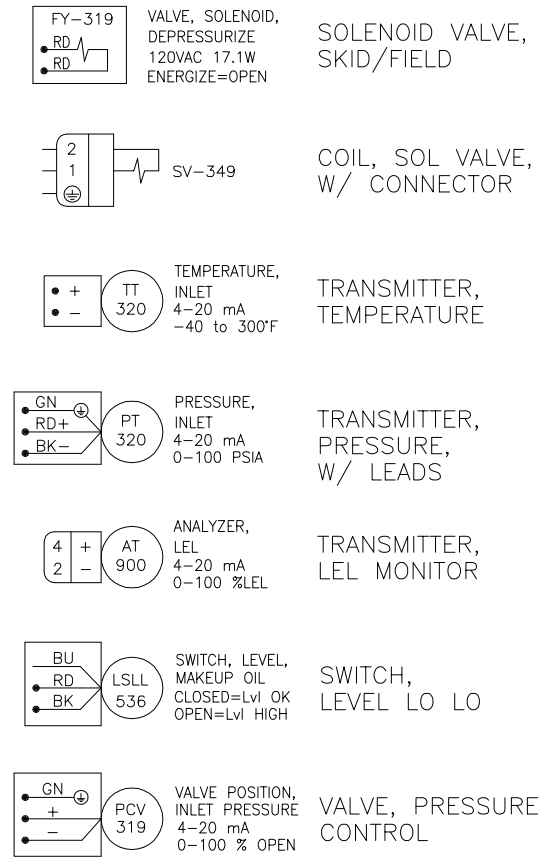
POWER



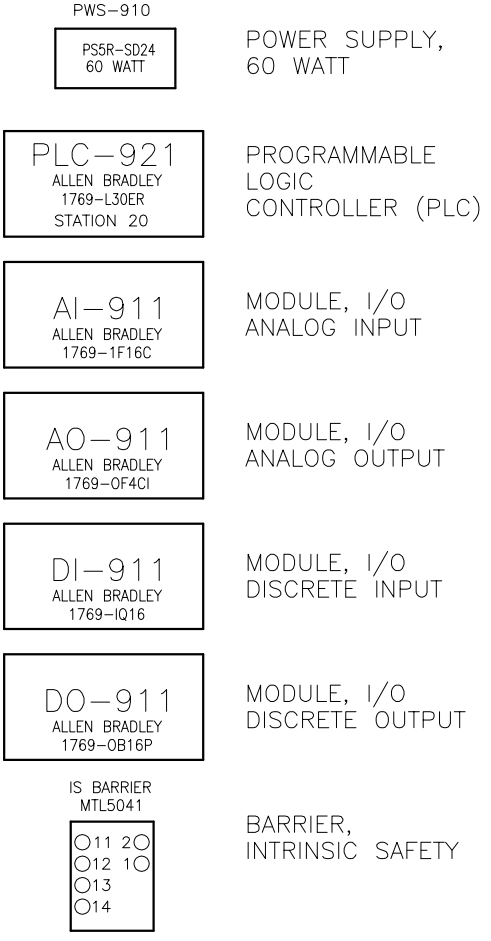
CONTROL



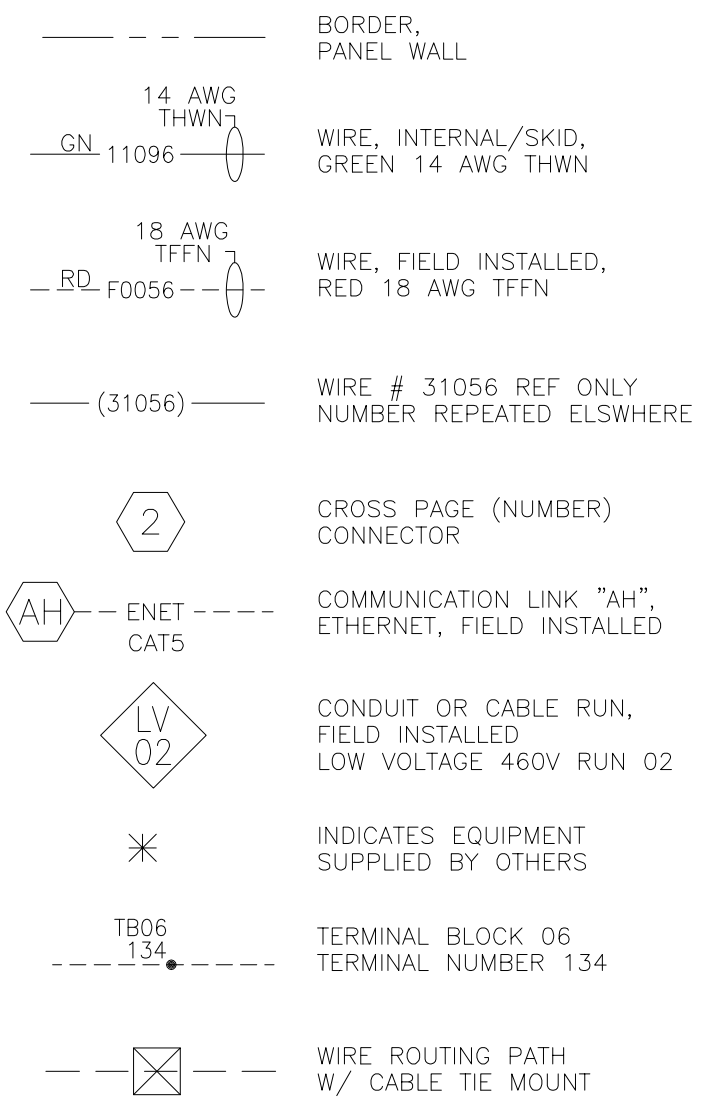
INSTRUMENTATION



PLC & I/O



WIRING



PROPRIETARY
5 SEPT 2012

Guild Associates, Inc.
5750 SHIER RINGS ROAD
DUBLIN, OHIO 43016

	DO NOT SCALE OR DIMENSION DRAWING, DO NOT MANUALLY UPDATE. BREAK ALL SHARP CORNERS AND REMOVE BURRS UNLESS OTHERWISE SPECIFIED. STAMP OR EACH PART IDENTIFICATION IN AREA MARKED.	WGT. R F FINISHES R F ANGLULAR TOLERANCE ±	UNLESS OTHERWISE SPECIFIED: 1-PLACE DEC.±.060 2-PLACE DEC.±.030 3-PLACE DEC.±.010
	NAME SIMILAR TO FILE NO.	NAME MAT'L	ELECTRICAL SCHEMATIC, SYMBOLS LEGEND
GE Oil & Gas Confidentiality Notice: This drawing contains confidential information of GE Oil and Gas Operations LLC ("GE O&G"). It may not be shared with third parties or used, copied or distributed in any manner without the express written permission of GE O&G.	ON TLP 07-09-12 SCALE NA SHEET 2/14 PART NO MG109-00900 ISSUE B	GE OIL & GAS NA DT	

0	07-09-12	TLP	MKG
INITIAL RELEASE			
A	08-21-12	JAM	MKG
UPDATE REMOTE POWER PNL FUSE TABLE.			
B	09-05-12	MKG	MKG
ADD * TO SIZES, REM PWR PNL TB01-21 to 24 NOW 21 to 23 & 25 to 27 NOW 24 to 27.			
C	09-20-12	MKG	MKG
FU-911... NOW FU-911 to FU-916.			

REMOTE PWR PNL
FUSE TABLE, REMOTE POWER PNL
 REPLACE WITH THE FOLLOWING
 APPROVED FUSES ONLY !

REF	TYPE	SIZE	VOLT	CURRENT	BUSSMANN
FU-911 to FU-916	DELAY	1-1/16" x 2-3/8"	600 V	60 A	LPJ-60SP
FU-920, 921	DELAY	13/32" x 1-1/2"	600 V	6 A	FNQ-R-6
TB01-21 to 23	DELAY	5 X 20 mm	250 V	1/2 A	GMC-0.5
TB01-24 to 27	DELAY	5 X 20 mm	250 V	4 A	GMC-4
TB01-28	DELAY	5 X 20 mm	250 V	1/2 A	GMC-0.5
TB01-29	DELAY	5 X 20 mm	250 V	1-1/2 A	GMC-1.5
UPS-921 OUTLETS	FAST	1/4" x 1-1/4"	250 V	15 A	AGC-15
UPS-921 BATTERY	VERY FAST	1/4" x 1-1/4"	125 VDC	30 A	GBB-30

CONTROL PANEL
FUSE TABLE, CONTROL PANEL
 REPLACE WITH THE FOLLOWING
 APPROVED FUSES ONLY !

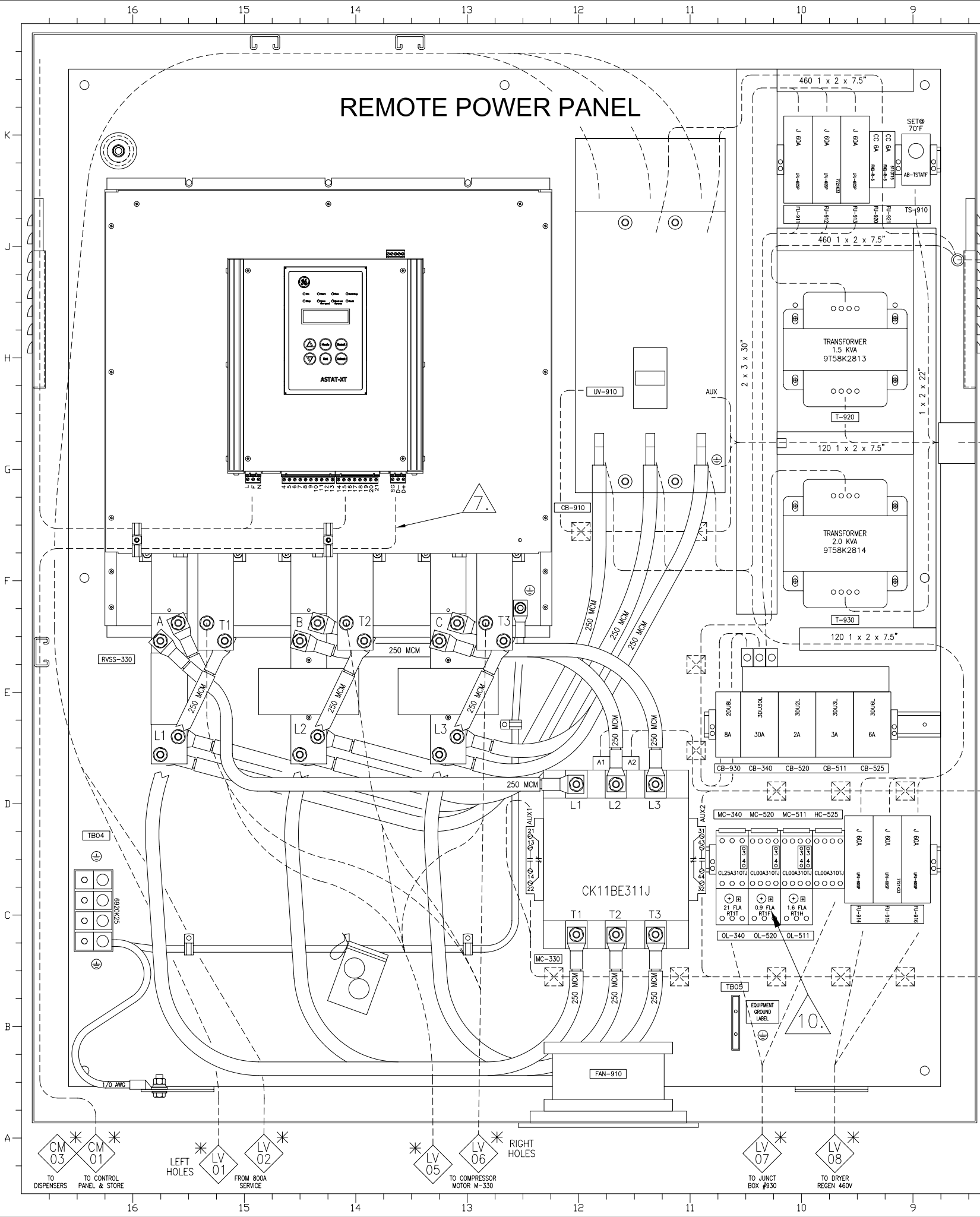
REF	TYPE	SIZE	VOLT	CURRENT	BUSSMANN
TB02-1 to 2	DELAY	5 X 20 mm	250 V	3 A	GMC-3
TB02-3 to 4	DELAY	5 X 20 mm	250 V	1/2 A	GMC-0.5
TB02-5 to 6	DELAY	5 X 20 mm	250 V	1/4 A	GMC-0.25
TB02-7 to 18	DELAY	5 X 20 mm	250 V	1/2 A	GMC-0.5
TB02-19	DELAY	5 X 20 mm	250 V	1-1/2 A	GMC-1.5
TB02-20 to 21	DELAY	5 X 20 mm	250 V	1/2 A	GMC-0.5
TB02-22	DELAY	5 X 20 mm	250 V	1-1/2 A	GMC-1.5
TB02-23 to 30	DELAY	5 X 20 mm	250 V	1/2 A	GMC-0.5
TB05-1 to 2	DELAY	5 X 20 mm	250 V	4 A	GMC-4
TB06-1	DELAY	5 X 20 mm	250 V	3 A	GMC-3
TB06-2 to 3	FAST	5 X 20 mm	250 V	4 A	GMA-4
TB06-4 to 10	FAST	5 X 20 mm	250 V	1/2 A	GMA-0.5
TB07-1 to 16	FAST	5 X 20 mm	250 V	1/2 A	GMA-0.5
TB08-1 to 8	FAST	5 X 20 mm	250 V	1/2 A	GMA-0.5

PROPRIETARY
 20 SEPT 2012

Guild Associates, Inc.
 5750 SHIER RINGS ROAD
 DUBLIN, OHIO 43016

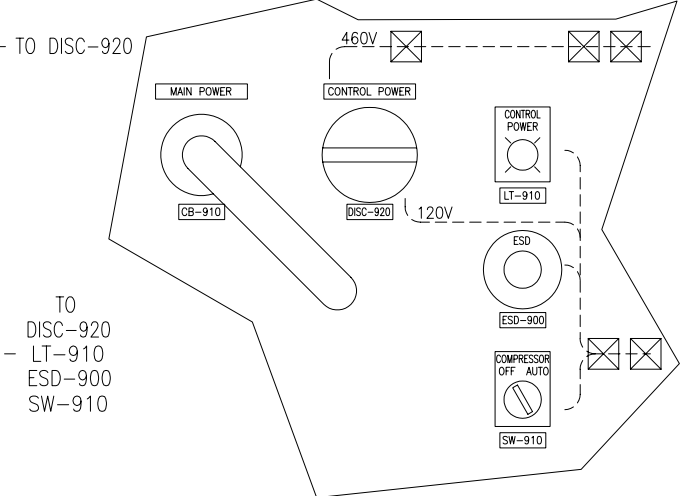
	DO NOT SCALE. ORIGINAL DRAWING. DO NOT MANUALLY UPDATE.	WGT. R	ANGULAR TOLERANCE	UNLESS OTHERWISE SPECIFIED
	BREAK ALL SHARP CORNERS AND REMOVE BURRS UNLESS OTHERWISE SPECIFIED. STAMP OR ENH PART IDENTIFICATION IN AREA MARKED.	F	±	1-PLACE DEC.±.060 2-PLACE DEC.±.030 3-PLACE DEC.±.010
GE Oil & Gas	SIMILAR TO	NAME ELECTRICAL SCHEMATIC, FUSE TABLES		
FILE NO.	MK	MATERIAL		
DATE TLP 07-09-12	SCALE NA	SHEET 3/14	PART NO	ISSUE C
AP MKG 07-09-12	SCALE NA	SHEET 3/14	PART NO MG109-00900	ISSUE C

REMOTE POWER PANEL

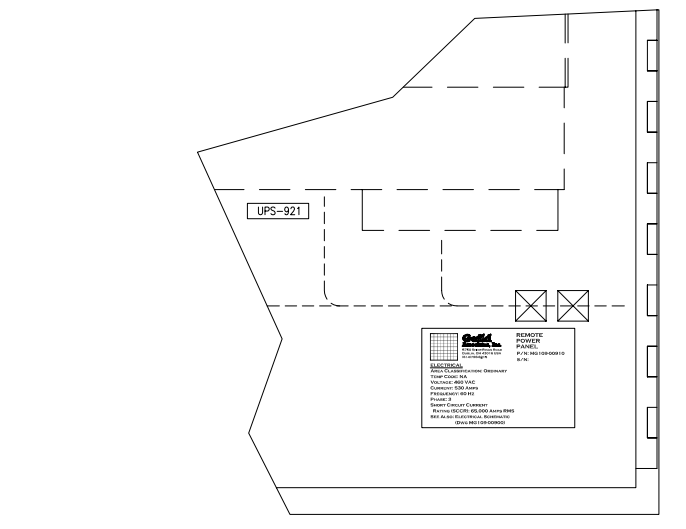


PANEL POWER
VOLTAGE: 460 VAC
PHASE: 3
CURRENT: 530 A

REMOTE POWER PANEL (DOOR FRONT)



REMOTE POWER PANEL (INSIDE RIGHT DOOR)

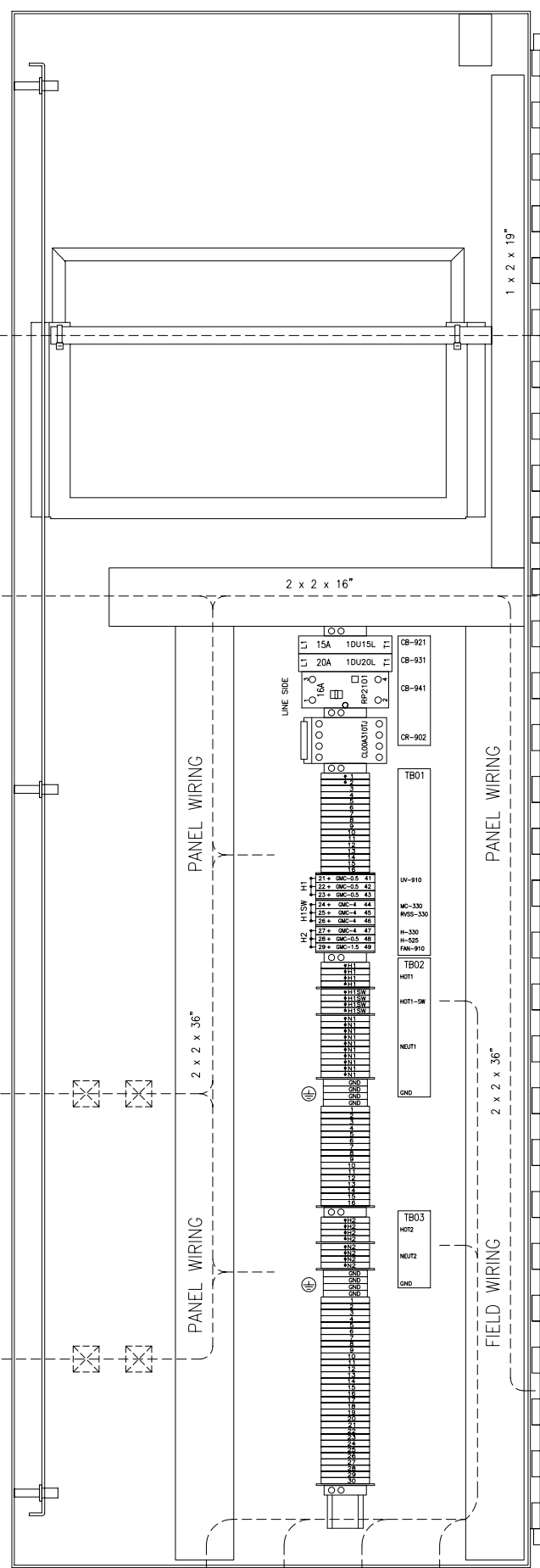


D	07-09-12	TLP	MKG
A	08-21-12	TLP	MKG
ADD AUX1 TO MC-330 MOD AUX2 TO MC-330 ADD A1 & A2 TO MC-330 ADD AUX TO OL-340 & OL-511 DELETE LV03 & LV04 REROUTE LV01&LV02 CABLES REROUTE LV05&LV06 CABLES REROUTE MC-330 L1 CABLE ADD TERMINALS TO CB-921 CB-931, CB-941 ADD W-525 TO TB01			
B	09-05-12	MKG	MKG
TB01-24 FUSE NOW 4A, ADD AUX6 TO MC-520 & 511, MOD CB-910 UV, AUX, & GND ROUTING.			
C	09-20-12	MKG	MKG
ADD FU-914 TO FU-916.			
D	09-09-13	TLP	MKG
ADD NOTE 10 & CMO3			

TO DISC-920
 TO DISC-920
 LT-910
 ESD-900
 SW-910

FROM UPS-921

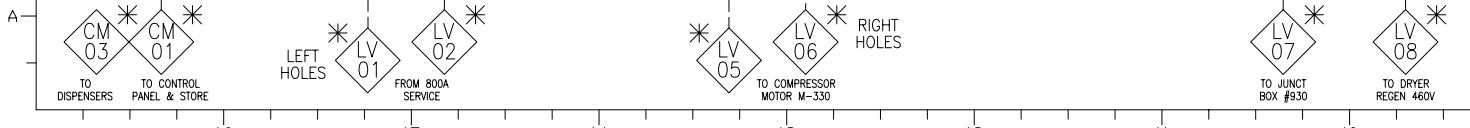
INSIDE RIGHT WALL



PROPRIETARY
 9 SEPT 2013

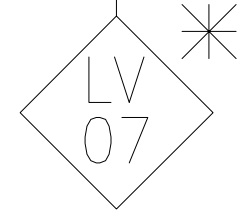
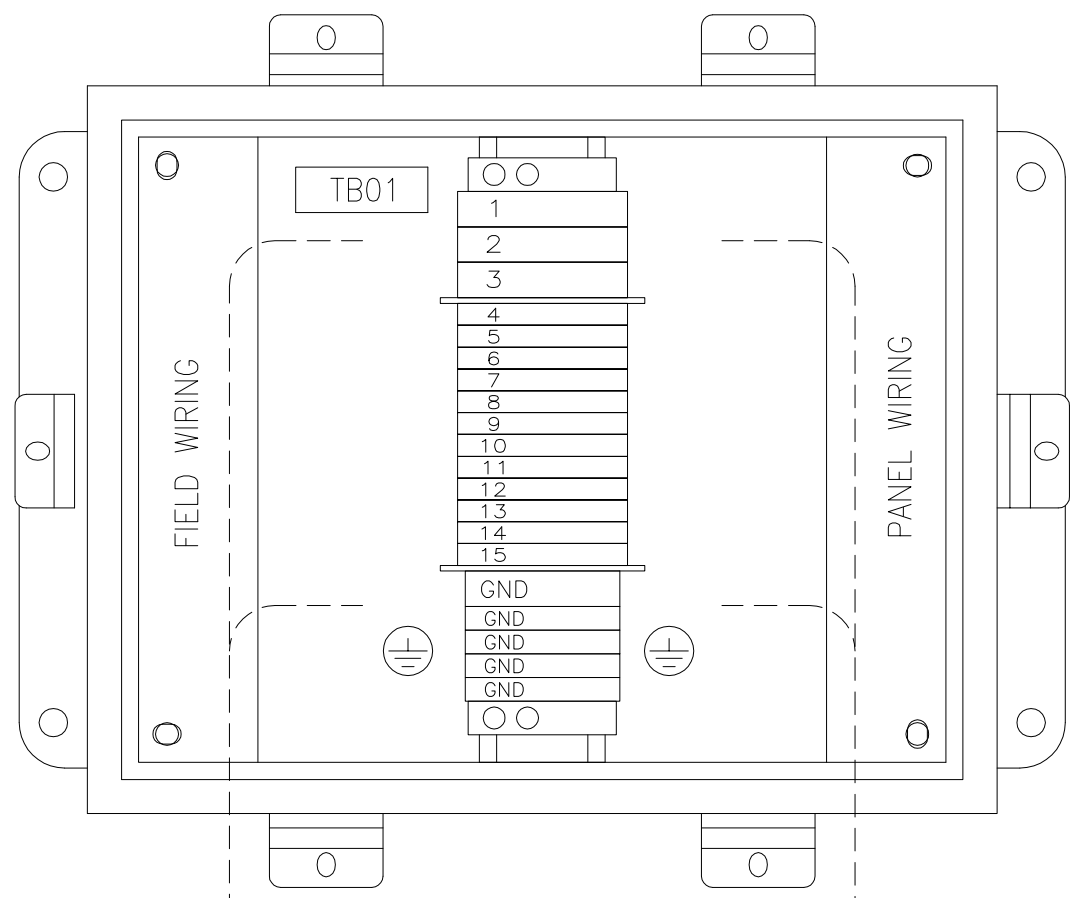
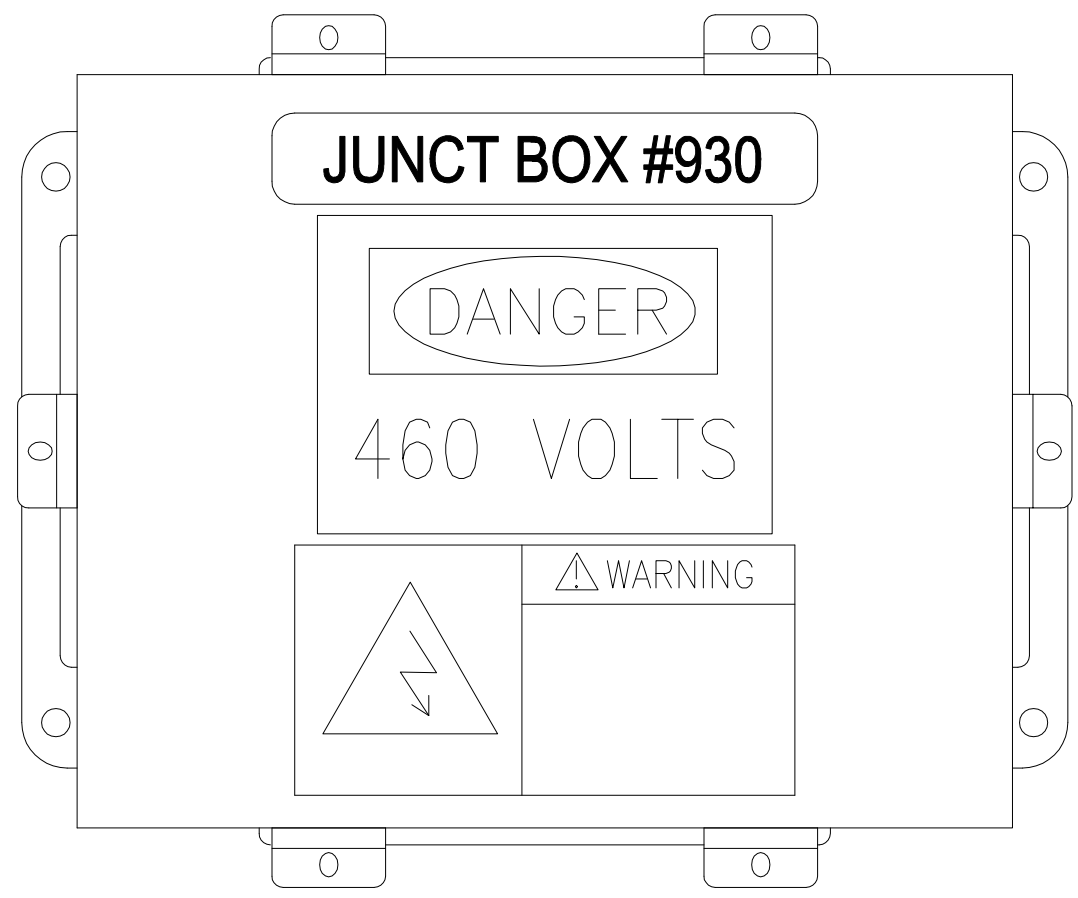
MG109-00900 sh04 REVD SCHEM ELEC rem pwr pnl layout 090913.dwg
Guild Associates, Inc.
 5750 SHIER RINGS ROAD
 DUBLIN, OHIO 43016

DO NOT SCALE DIMENSIONS GENERATED BY CAD SOFTWARE DO NOT MANUALLY PREPARE DIMENSIONS		UNLESS OTHERWISE SPECIFIED
BREAK ALL SHARP CORNERS AND REMOVE BURRS UNLESS OTHERWISE SPECIFIED. STAMP OR ETCH PART IDENTIFICATION IN AREA MARKED		1-PLACE DEC.#:060 2-PLACE DEC.#:030 3-PLACE DEC.#:010
ELECTRICAL SCHEMATIC, REMOTE POWER PANEL (LAYOUT)		NAME MATERIAL
SIMILAR TO MK- FILE NO. OR TLP-07-09-12 OR MFG-07-09-12		SCALE SHEET PART NO NA 4/14 MG109-00900
GE Oil & Gas		ISSUE D



GE OIL & GAS NA DT-xx

0	07-09-12	TLP	MKG
INITIAL RELEASE			
A	08-21-12	JAM	MKG
NO CHANGES			
B	09-05-12	MKG	MKG
MOV TB01 #6 TO LEFT SIDE			



FROM REMOTE
POWER PANEL

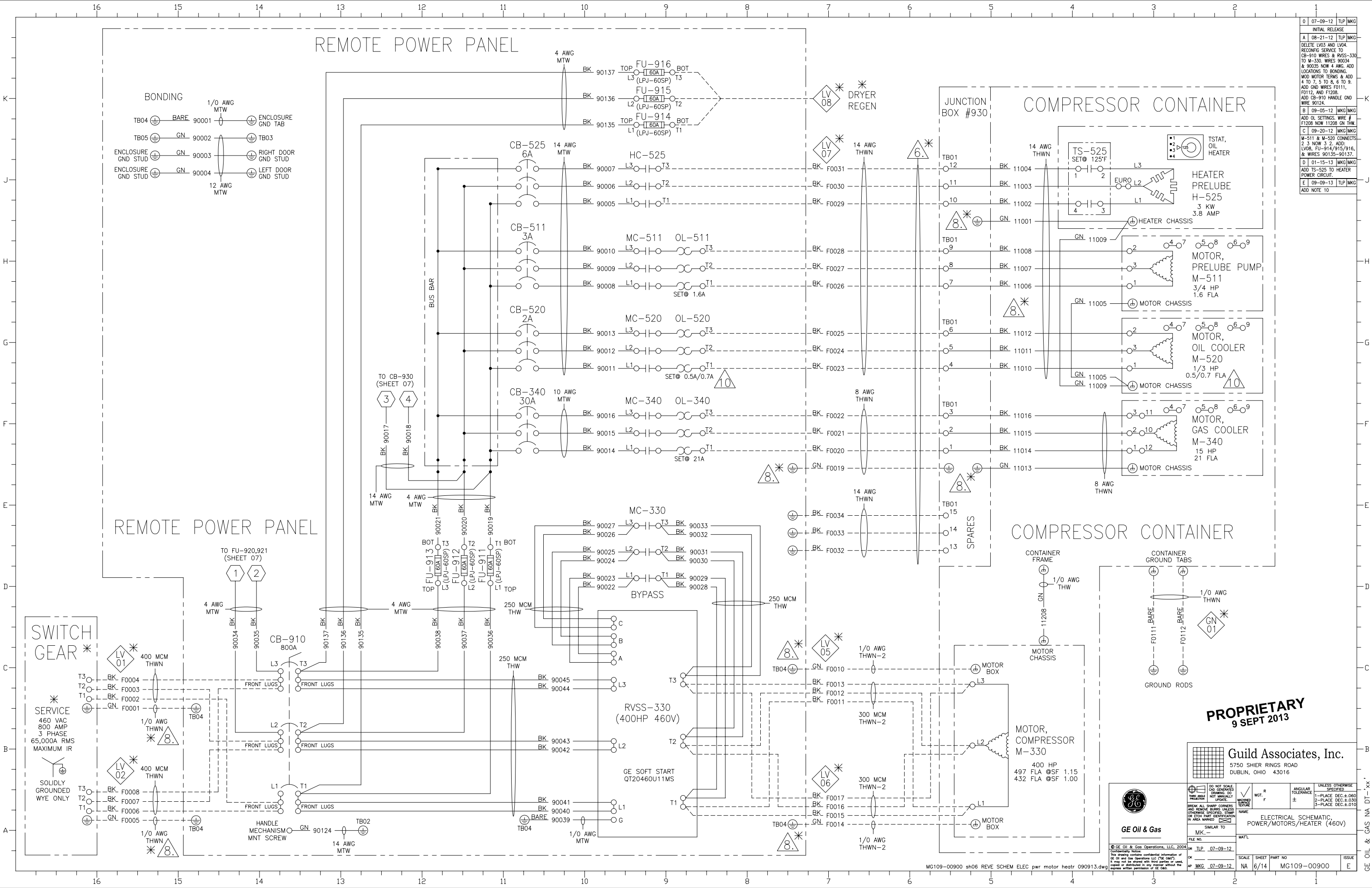
COMPRESSOR
CONTAINER 460 VAC
M-340/M-511
M-520/H-525
(SEE SHT 06)

PROPRIETARY
5 SEPT 2012

Guild Associates, Inc.
5750 SHIER RINGS ROAD
DUBLIN, OHIO 43016

<p>GE Oil & Gas</p>	<p>DO NOT SCALE. ORIGINAL DRAWING. DO NOT MANUALLY UPDATE.</p>	<p>WGT. R F</p>	<p>ANGULAR TOLERANCE ±</p>	<p>UNLESS OTHERWISE SPECIFIED:</p>
	<p>BREAK ALL SHARP CORNERS AND REMOVE BURRS UNLESS OTHERWISE SPECIFIED. STAMP OR EACH PART IDENTIFICATION IN AREA MARKED.</p>	<p>1-PLACE DEC. ±.060 2-PLACE DEC. ±.030 3-PLACE DEC. ±.010</p>	<p>NAME</p>	<p>SIMILAR TO</p>
<p>FILE NO.</p>	<p>MKG</p>	<p>MAT'L</p>	<p>SCALE</p>	<p>SHEET PART NO</p>
<p>DR TLP 07-09-12</p>	<p>AP MKG 07-09-12</p>	<p>NA</p>	<p>5/14</p>	<p>MG109-00900</p>
<p>ISSUE</p>	<p>B</p>	<p>ISSUE</p>	<p>ISSUE</p>	<p>ISSUE</p>

GE OIL & GAS NA DT



0	07-09-12	TLP	MKG
A	08-21-12	TLP	MKG
DELETE LV03 AND LV04. RECONFIG SERVICE TO CB-910 WIRES & RVSS-330 TO M-330 WIRES 90034 & 90035 NOW 4 AWG. ADD LOCATIONS TO BONDING. MOD MOTOR TERMS & ADD 4 TO 7, 5 TO 8, 6 TO 9. ADD GND WIRES F0111, F0112, AND F1208. ADD CB-910 HANDLE GND WIRE 90124.			
B	09-05-12	MKG	MKG
ADD OL SETTINGS. WIRE F1208 NOW 11208 GND THW.			
C	09-20-12	MKG	MKG
M-511 & M-520 CONNECTS 2 3 NOW 3 2. ADD: LV08, FU-914/915/916, & WIRES 90135-90137.			
D	01-15-13	MKG	MKG
ADD TS-525 TO HEATER POWER CIRCUIT.			
E	09-09-13	TLP	MKG
ADD NOTE 10			

PROPRIETARY
9 SEPT 2013

Guild Associates, Inc.
5750 SHIER RINGS ROAD
DUBLIN, OHIO 43016

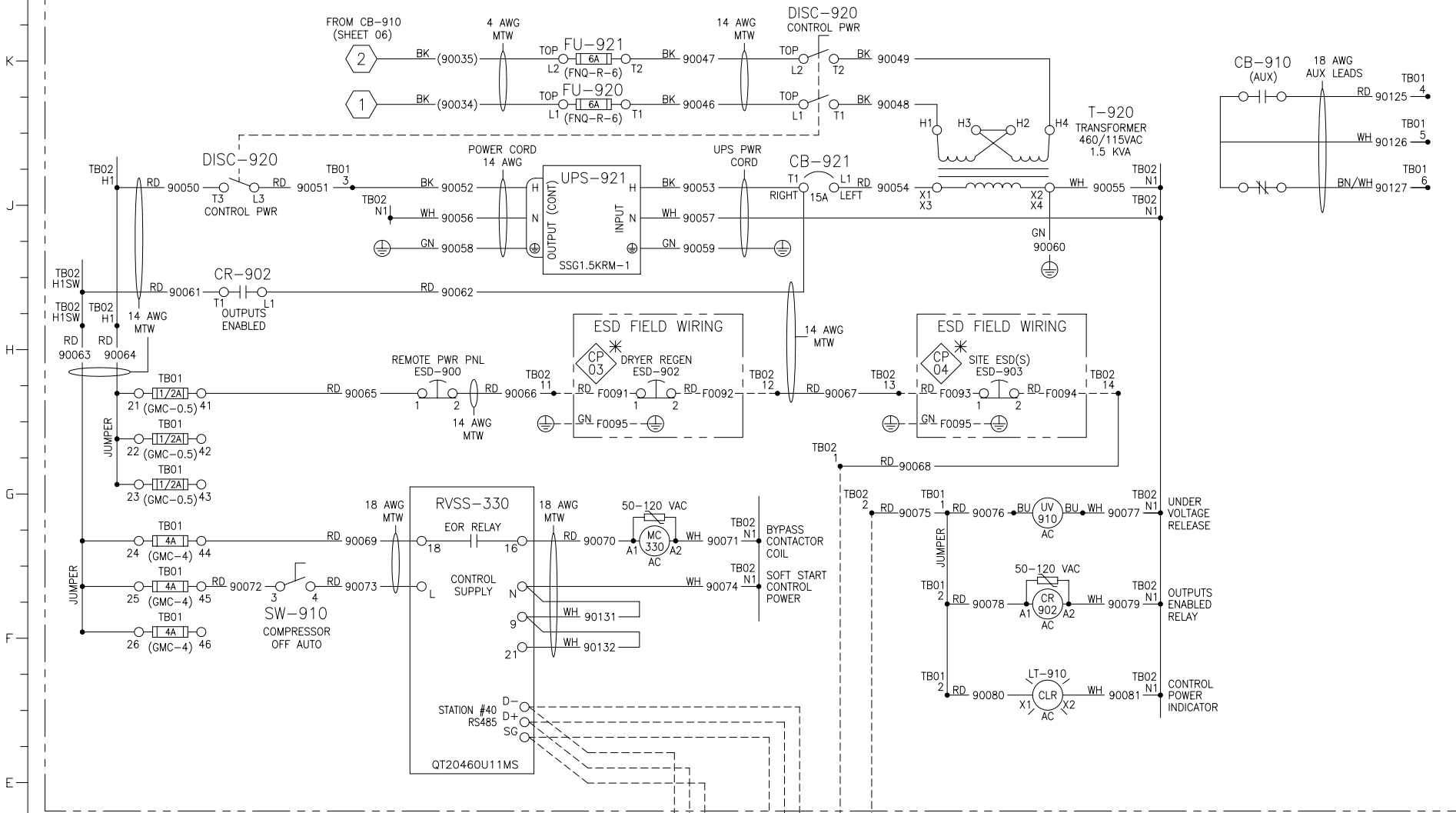


DO NOT SCALE. DIMENSIONS GENERATED BY CAD. DO NOT MANUALLY DIMENSION. PREPARE ALL SHARP CORNERS AND REMOVE BURRS UNLESS OTHERWISE SPECIFIED. STAMP OR ETCH PART IDENTIFICATION IN AREA MARKED.	WGT. R F	ANGULAR TOLERANCE
NAME	SCALE	1-PLACE DEC.±.060 2-PLACE DEC.±.030 3-PLACE DEC.±.010
SIMILAR TO	DATE	
FILE NO.	DATE	
DATE	DATE	
DATE	DATE	

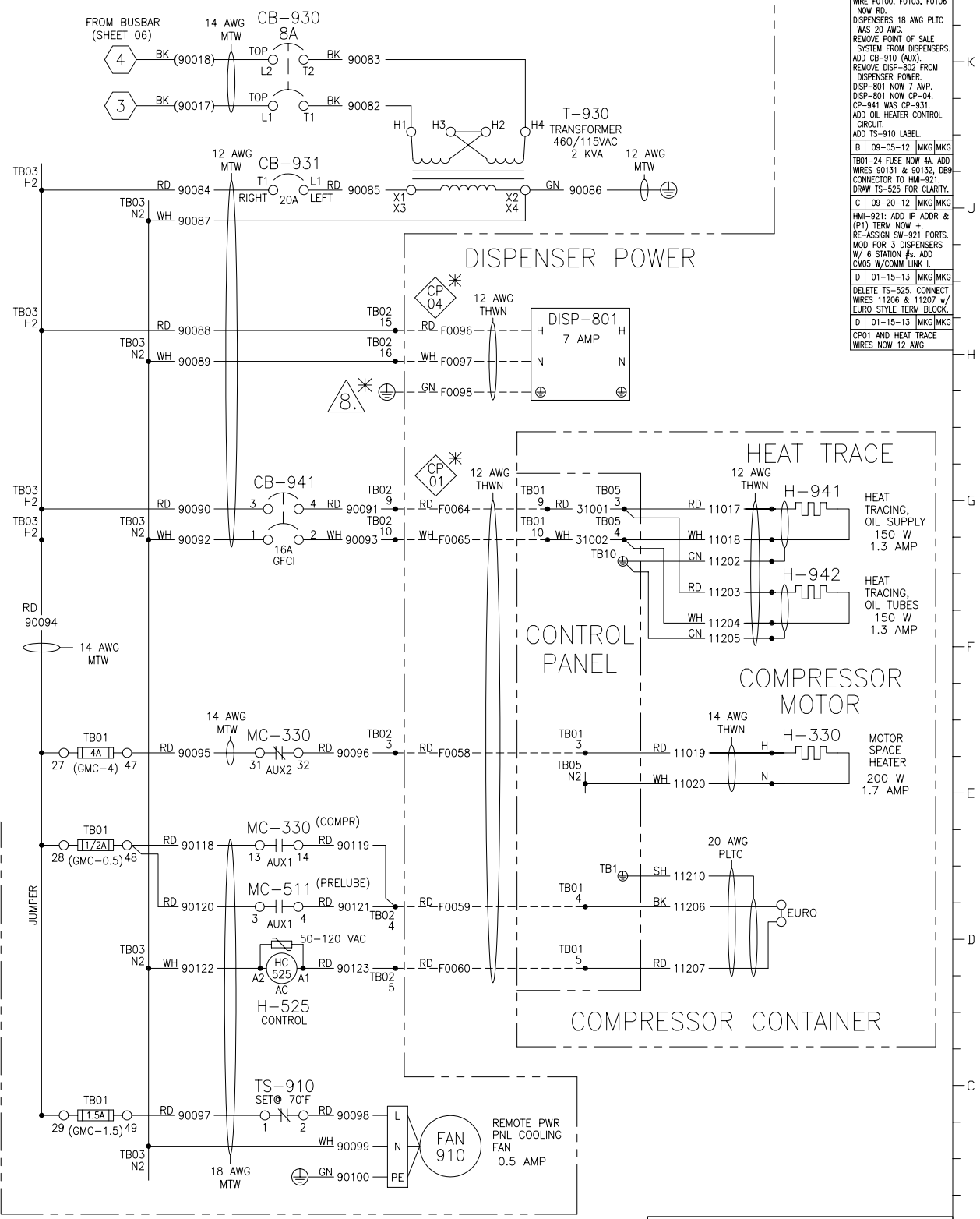
ELECTRICAL SCHEMATIC, POWER/MOTORS/HEATER (460V)			
SCALE	SHEET	PART NO	ISSUE
NA	6/14	MG109-00900	E

MG109-00900 sh06 REVE SCHEM ELEC pwr motor heatr 090913.dwg

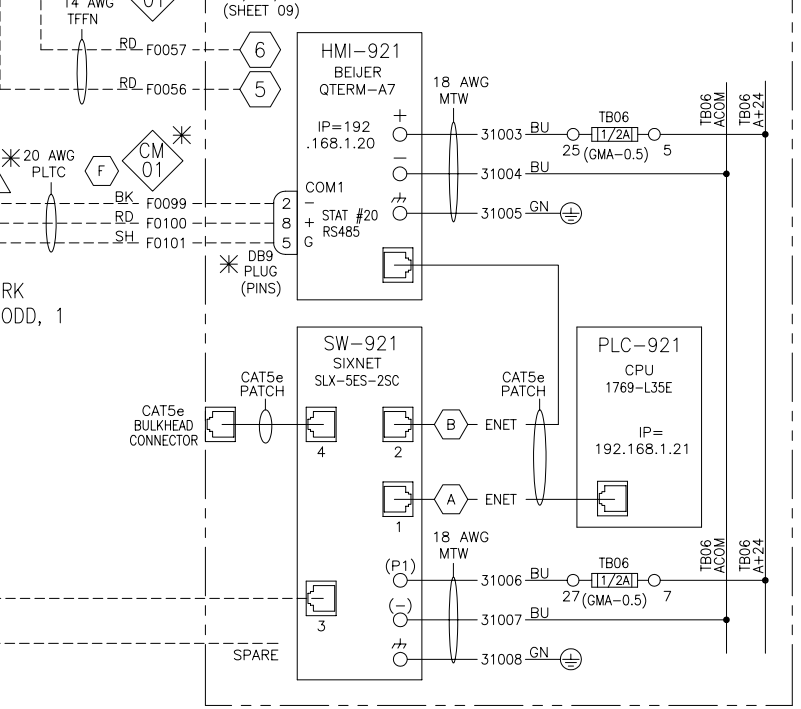
REMOTE POWER PANEL



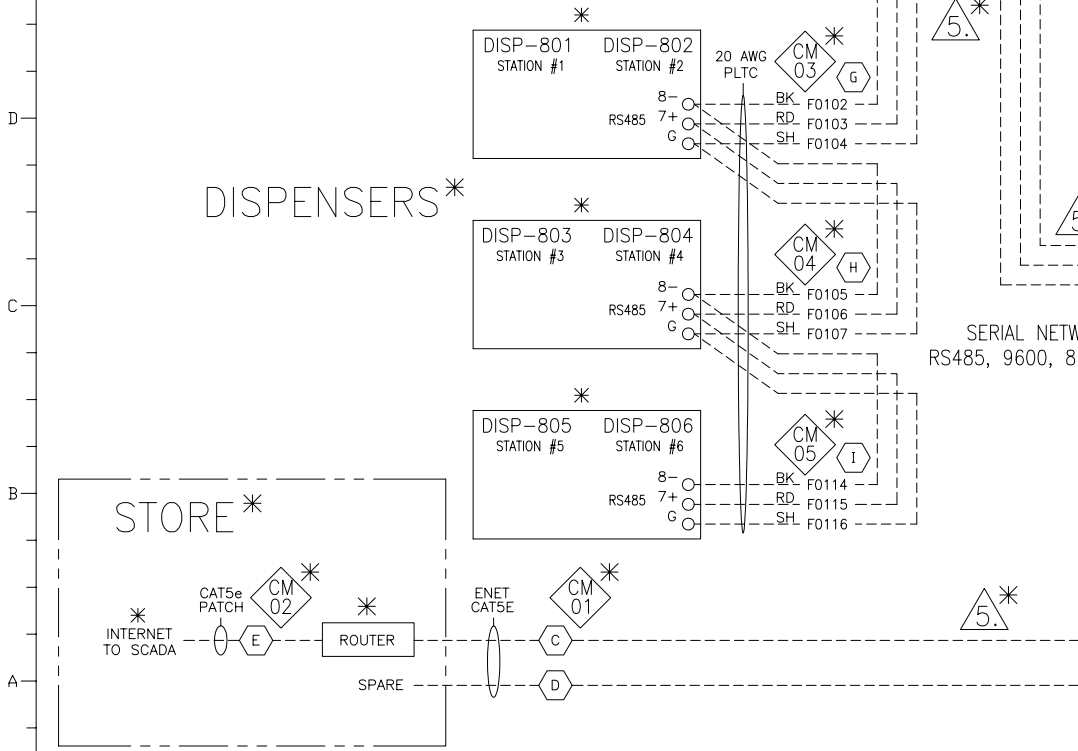
REMOTE POWER PANEL



CONTROL PANEL



DISPENSERS*

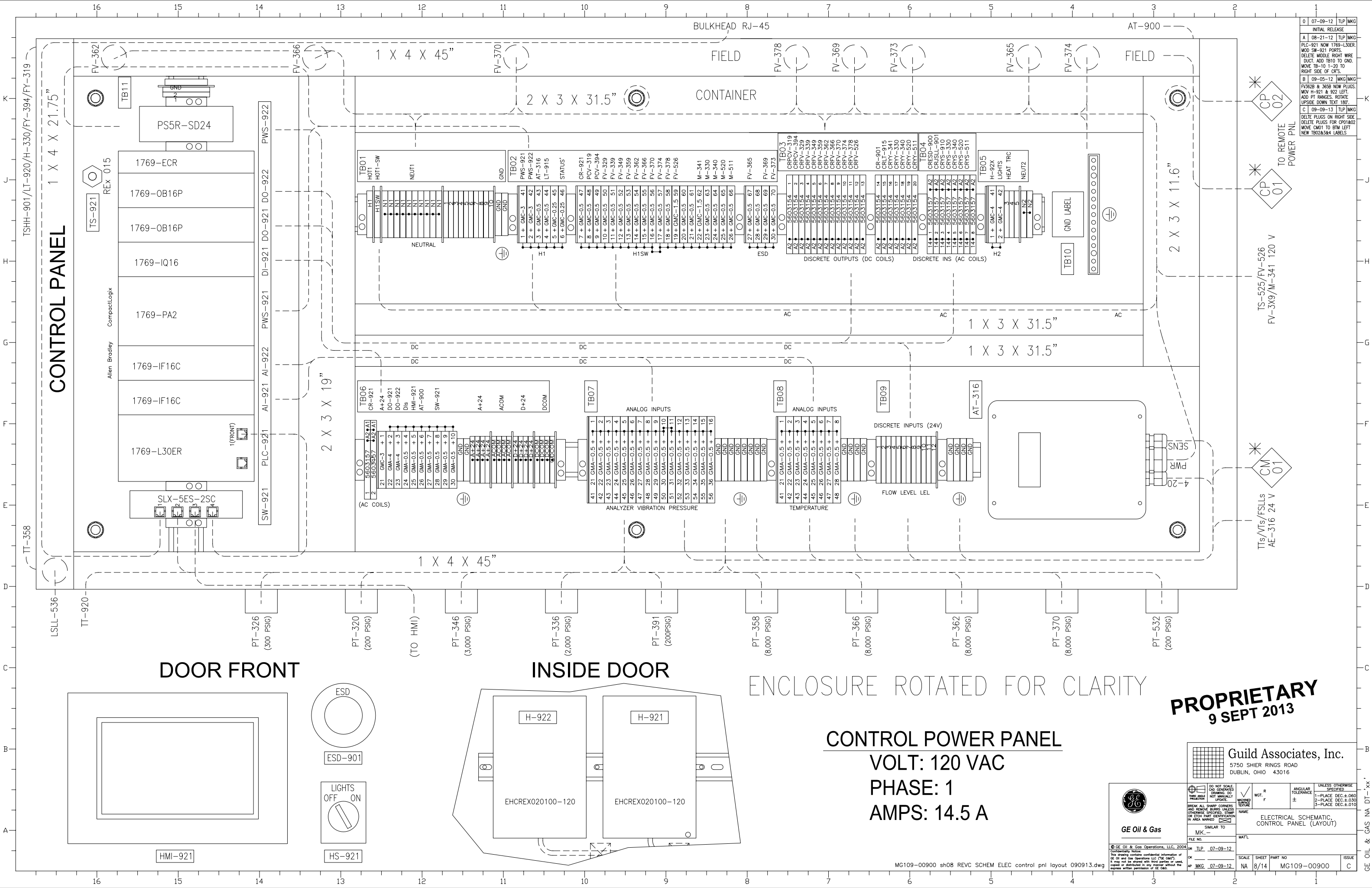


07-09-12 TLP MKG
 INITIAL RELEASE
 A 08-21-12 JAM MKG
 FU-921/FU-921 4 AWG WIRE WAS 14 AWG. UPS-921 H WIRES NOW BK. ESD CPW WAS CR33 WIRE F0100, F0103, F0106 NOW RD.
 DISPENSERS 18 AWG PLTC WAS 20 AWG. REMOVE POINT OF SALE SYSTEM FROM DISPENSERS. ADD CB-910 (AUX). REMOVE DSP-802 FROM DISPENSER POWER. DISP-801 NOW 7 AMP. DISP-801 NOW CP-94. CP-941 WAS CP-931. ADD OIL HEATER CONTROL CIRCUIT. ADD TS-910 LABEL.
 B 09-05-12 MKG MKG
 TB01-24 RISE NOW 4A. ADD WIRES 90131 & 90132. DB9 CONNECTOR TO HMI-921. MOD FOR 3 DISPENSERS W/ 6 STATION #s. ADD CM5 W/ COMM LINK 1.
 C 09-20-12 MKG MKG
 HMI-921: ADD IP ADDR & (P1) TERM NOW. RE-ASSIGN SW-921 PORTS. MOD FOR 3 DISPENSERS W/ 6 STATION #s. ADD CM5 W/ COMM LINK 1.
 D 01-15-13 MKG MKG
 DELETE TS-525. CONNECT WIRES 11206 & 11207 w/ EURO STYLE TERM BLOCK.
 D 01-15-13 MKG MKG
 CP01 AND HEAT TRACE WIRES NOW 12 AWG

PROPRIETARY
 9 SEPT 2013

Guild Associates, Inc.
 5750 SHER RINGS ROAD
 DUBLIN, OHIO 43016

 GE Oil & Gas	DO NOT SCALE DIMENSIONS UNLESS OTHERWISE SPECIFIED	WGT. R F	ANGULAR TOLERANCE ±
	BREAK ALL SHARP CORNERS AND REMOVE BURRS UNLESS OTHERWISE SPECIFIED. STAMP OR ETCH PART IDENTIFICATION IN AREA MARKED	UNLESS OTHERWISE SPECIFIED 1-PLACE DEC.±.060 2-PLACE DEC.±.030 3-PLACE DEC.±.010	ELECTRICAL SCHEMATIC, REMOTE POWER PANEL (120V)
FILE NO. MK-	MATL. MK-	SCALE NA	SHEET PART NO 7/14
DATE 07-09-12	ISSUE E	DRAWING NO. NA	PROJECT NO. MG109-00900



07-09-12 TLP MKG
 INITIAL RELEASE
 A 08-21-12 TLP MKG
 PLC-921 NOW 1769-L30ER.
 WDG SW-921 PORTS.
 DELETE MIDDLE RIGHT WIRE
 DUCT. ADD TB10 TO GND.
 MOVE TB-10 1'-20" TO
 RIGHT SIDE OF CR'S.
 B 09-05-12 MKG MKG
 FV362B & 365B NOW PLUGS.
 MOV H-921 & 922 LEFT.
 ADD PT RANGES. ROTATE
 UPSIDE DOWN TEXT 180°
 C 09-09-13 TLP MKG
 DELETE PLUGS ON RIGHT SIDE
 DELETE PLUGS FOR CP01802
 MOVE CM01 TO BTM LEFT
 NEW TB02&3&4 LABELS

CP 02
 TO REMOTE
 POWER PNL
 CP 01

TS-525/FV-526
 FV-3X9/M-341 120 V

TS/VTs/FSLLS
 AE-316 24 V

PROPRIETARY
 9 SEPT 2013

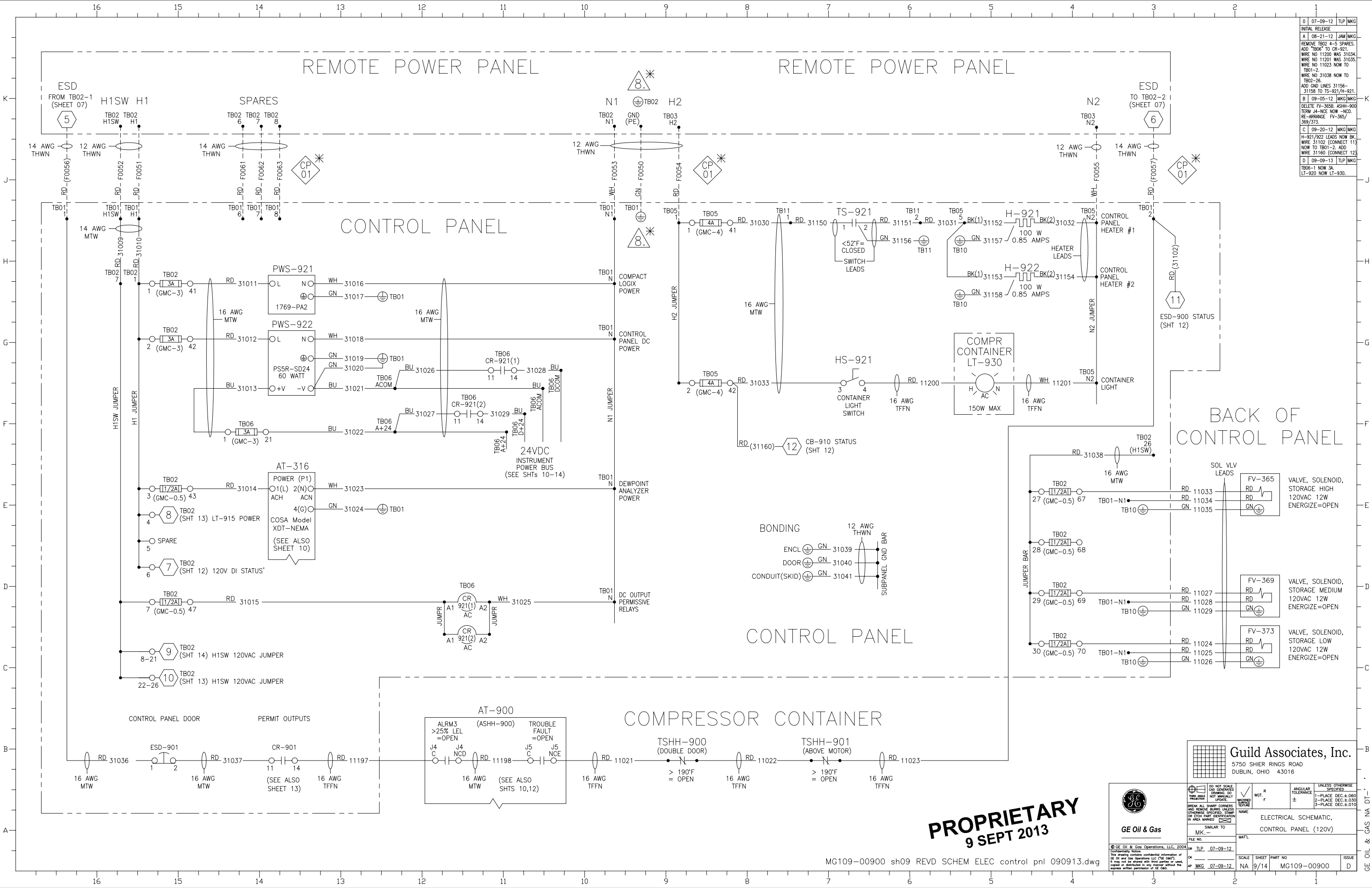
Guild Associates, Inc.
 5750 SHIER RINGS ROAD
 DUBLIN, OHIO 43016



DO NOT SCALE
 DIMENSIONS
 GENERATED
 USING
 THIS
 DRAWING
 UNLESS
 OTHERWISE
 SPECIFIED

ELECTRICAL SCHEMATIC,
 CONTROL PANEL (LAYOUT)

GE Oil & Gas
 MK -
 FILE NO.
 TLP 07-09-12
 SCALE SHEET PART NO
 NA 8/14 MG109-00900
 ISSUE
 C



D	07-09-12	TLP	MKG
INITIAL RELEASE			
A	08-21-12	JAM	MKG
REMOVE TB02 4-5 SPARES. ADD TB06 TO CR-921. WIRE NO 11200 WAS 31034. WIRE NO 11201 WAS 31035. WIRE NO 11023 NOW TO TB01-2. WIRE NO 31038 NOW TO TB02-26. ADD GND LINES 31156-31158 TO TS-921/H-921.			
B	09-05-12	MKG	MKG
DELETE FV-365B, ASHH-900 TERM J4-NCE NOW -NCD. RE-ARRANGE FV-365/369/373.			
C	09-20-12	MKG	MKG
H-921/922 LEADS NOW BK. WIRE 31102 (CONNECT 11) NOW TO TB01-2. ADD WIRE 31160 (CONNECT 12) TO TB05-2.			
D	09-09-13	TLP	MKG
TB06-1 NOW 3A. LT-920 NOW LT-930.			

PROPRIETARY
9 SEPT 2013

MG109-00900 sh09 REVD SCHEM ELEC control pnl 090913.dwg

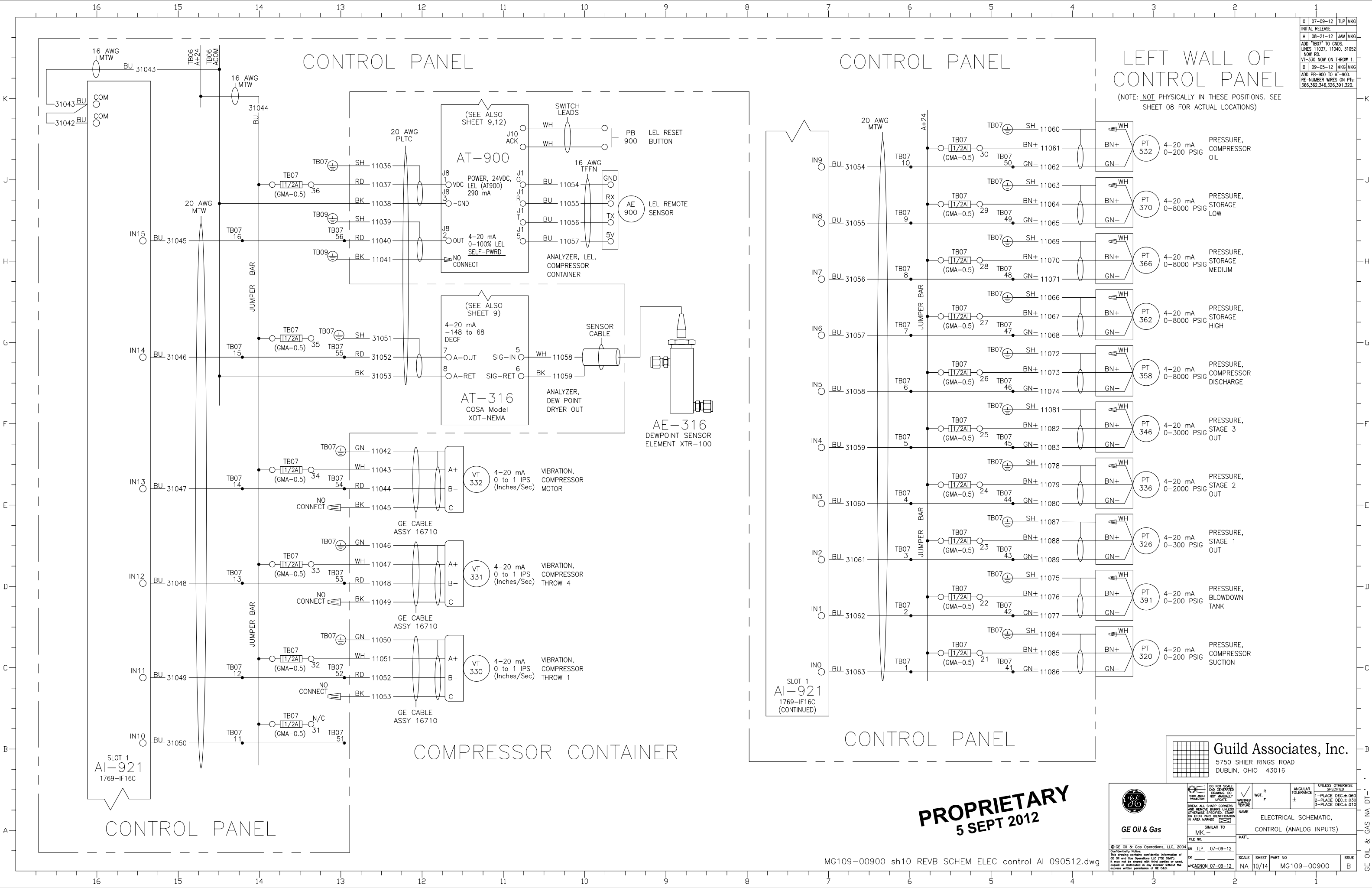
Guild Associates, Inc.
5750 SHIER RINGS ROAD
DUBLIN, OHIO 43016

DO NOT SCALE DIMENSIONS GENERATED BY CAD. DIMENSIONS NOT MANUALLY PRECISE.		WGT. R F	ANGULAR TOLERANCE
BREAK ALL SHARP CORNERS AND REMOVE BURRS UNLESS OTHERWISE SPECIFIED. STAMP OR ETCH PART IDENTIFICATION IN AREA MARKED.		NAME	UNLESS OTHERWISE SPECIFIED
SIMILAR TO		NAME	1-PLACE DEC.#.060
FILE NO.		MATL.	2-PLACE DEC.#.030
OR TLP 07-09-12		SCALE	3-PLACE DEC.#.010
OR MKG 07-09-12		SCALE SHEET PART NO	ISSUE
OR MKG 07-09-12		NA 9/14	MG109-00900
OR MKG 07-09-12		NA 9/14	D



GE Oil & Gas Operations, LLC 2004
Confidentiality Notice:
This drawing contains confidential information of GE Oil & Gas Operations, LLC. THE OWNER'S name may not be shared with third parties or used, copied or distributed in any manner without the express written permission of GE Oil & Gas.

0 07-09-12 TLP MKG
 INITIAL RELEASE
 A 08-21-12 JAM MKG
 ADD TB07 TO GNDS
 LINES 11037, 11040, 31052
 NOW RD.
 VT-330 NOW ON THROW 1.
 B 09-05-12 MKG MKG
 ADD PB-900 TO AT-900.
 RE-NUMBER WIRES ON P16:
 366,362,346,326,391,320.



LEFT WALL OF CONTROL PANEL
 (NOTE: NOT PHYSICALLY IN THESE POSITIONS. SEE SHEET 08 FOR ACTUAL LOCATIONS)

CONTROL PANEL

CONTROL PANEL

COMPRESSOR CONTAINER

SLOT 1
 AI-921
 1769-IF16C

SLOT 1
 AI-921
 1769-IF16C
 (CONTINUED)

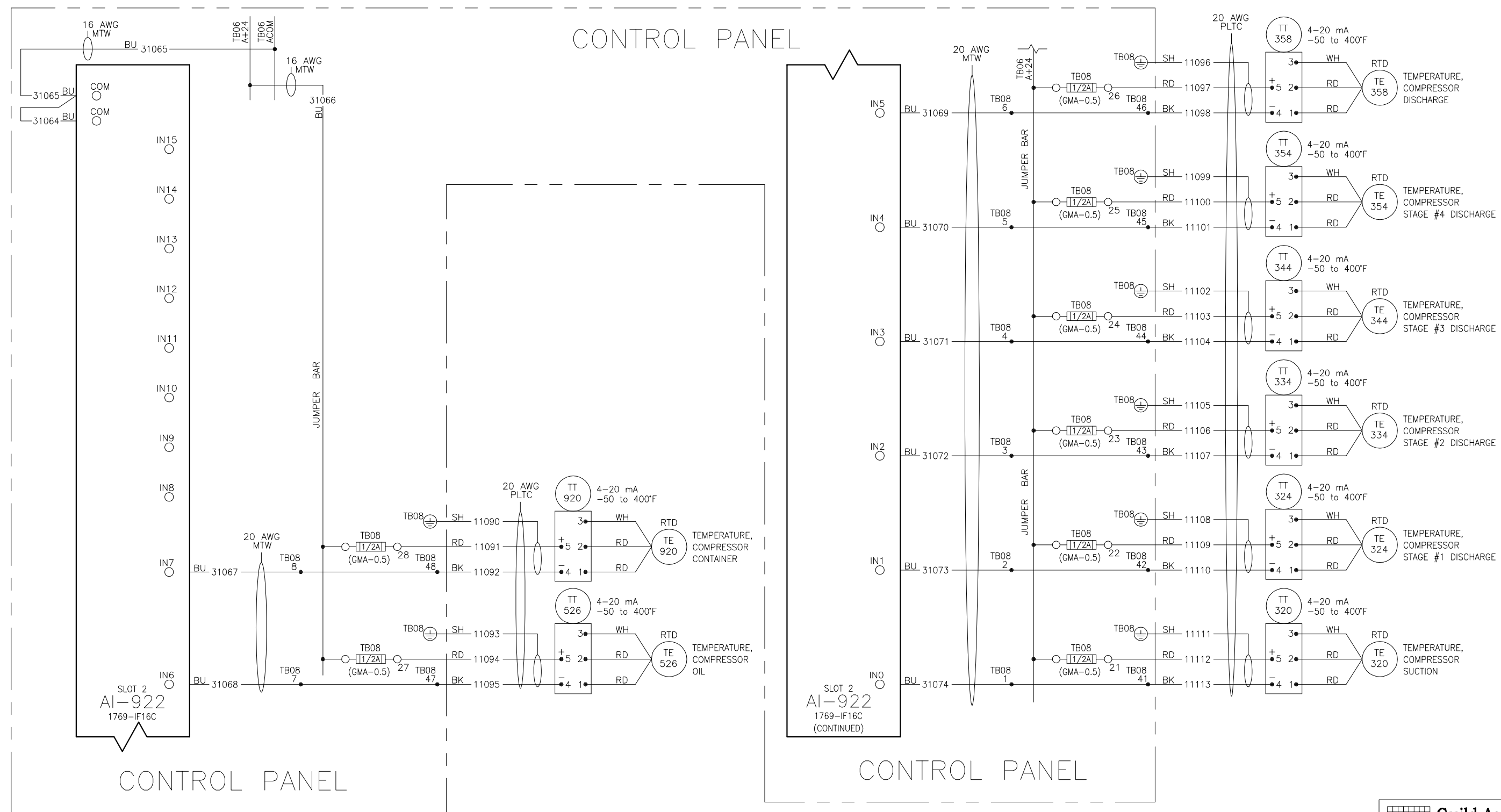
PROPRIETARY
 5 SEPT 2012

Guild Associates, Inc.
 5750 SHIER RINGS ROAD
 DUBLIN, OHIO 43016

 GE Oil & Gas	DO NOT SCALE DIMENSIONS UNLESS OTHERWISE SPECIFIED	UNLESS OTHERWISE SPECIFIED 1-PLACE DEC.±.060 2-PLACE DEC.±.030 3-PLACE DEC.±.010
	BREAK ALL SHARP CORNERS AND REMOVE BURRS UNLESS OTHERWISE SPECIFIED. STAMP OR ETCH PART IDENTIFICATION IN AREA MARKED	NAME SIMILAR TO MK-
CONFIDENTIAL NOTICE: This drawing contains confidential information of GE Oil & Gas Operations LLC ("GE O&G"). It may not be copied, reproduced, or used, copied or distributed in any manner without the express written permission of GE O&G.	FILE NO. MK-	SCALE SHEET PART NO NA 10/14 MG109-00900
GE O&G & Gas Operations, LLC, 2004	OR TLP 07-09-12	ISSUE B

0	07-09-12	TLP	MKG
INITIAL RELEASE			
A	08-21-12	JAM	MKG
ADD TB06 ACOM TO WIRE NO 31065			
NO 31065			
ADD "TB08" TO CNDG.			
CHANGE ALL PLTC WIRES FROM WH TO RD.			
TT-520/TT-526 WIRES NOW 20 AWG PLTC.			
REMOVE WIRE NOS 11114-11137 TT TO TE.			
CORRECTED WIRE NO 11103			
B	09-05-12	MKG	MKG
NO CHANGES			

CONTROL PANEL



SLOT 2
AI-922
1769-IF16C

SLOT 2
AI-922
1769-IF16C
(CONTINUED)

CONTROL PANEL

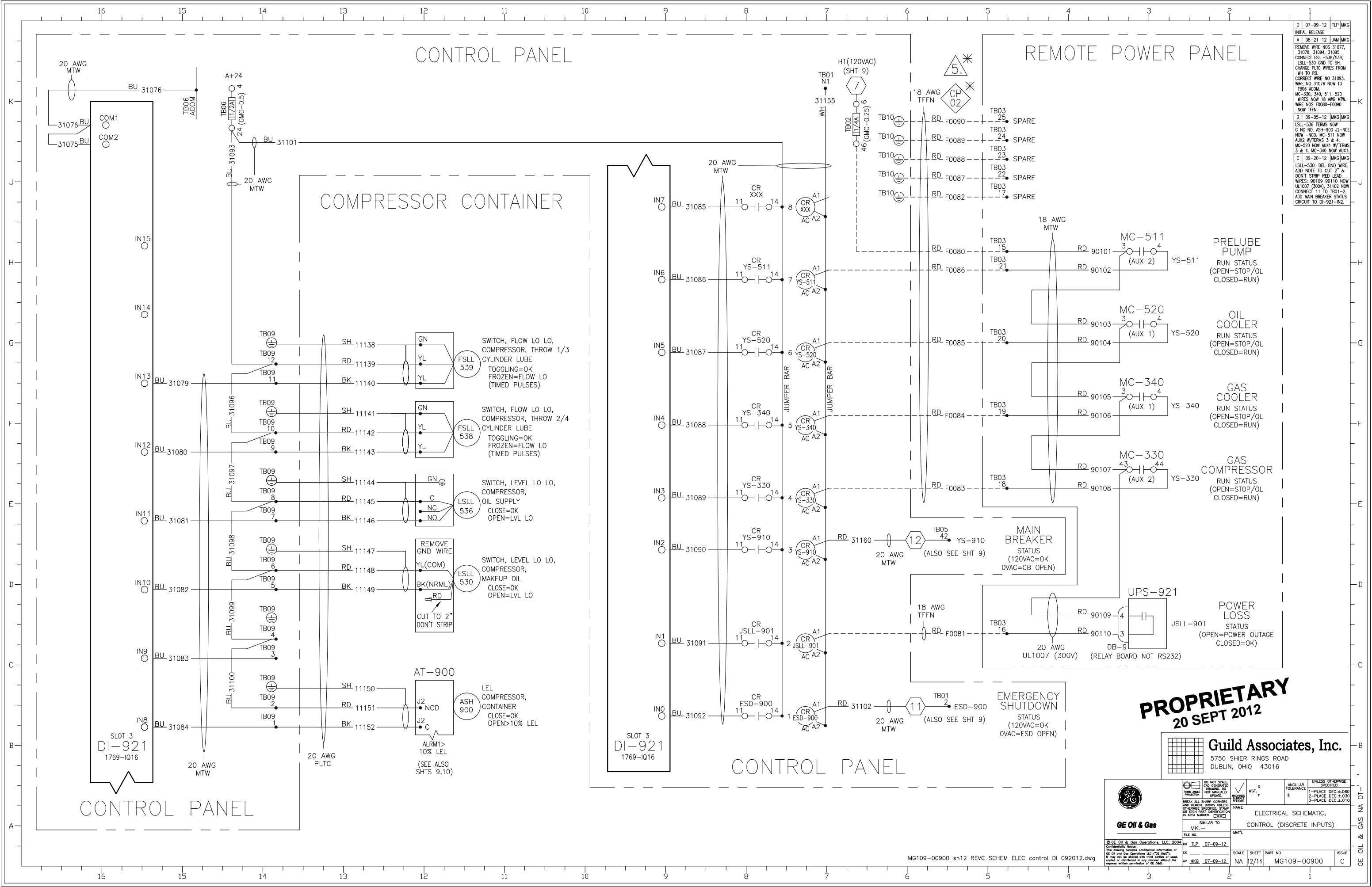
CONTROL PANEL

PROPRIETARY
5 SEPT 2012

Guild Associates, Inc.
5750 SHIER RINGS ROAD
DUBLIN, OHIO 43016

DO NOT SCALE. DIMENSIONS SHOWN. DO NOT MANUALLY UPDATE.		WGT. R	ANGULAR TOLERANCE	UNLESS OTHERWISE SPECIFIED
BREAK ALL SHARP CORNERS AND REMOVE BURRS UNLESS OTHERWISE SPECIFIED. STAMP OR ENGRAVE IDENTIFICATION IN AREA MARKED.		F	±	1-PLACE DEC.±.060 2-PLACE DEC.±.030 3-PLACE DEC.±.010
NAME		ELECTRICAL SCHEMATIC, CONTROL (ANALOG INPUTS)		
FILE NO.		MATERIAL		
DATE		SCALE SHEET PART NO		
07-09-12		11/14 MG109-00900		
ISSUE		B		

GE OIL & GAS NA DT-xx



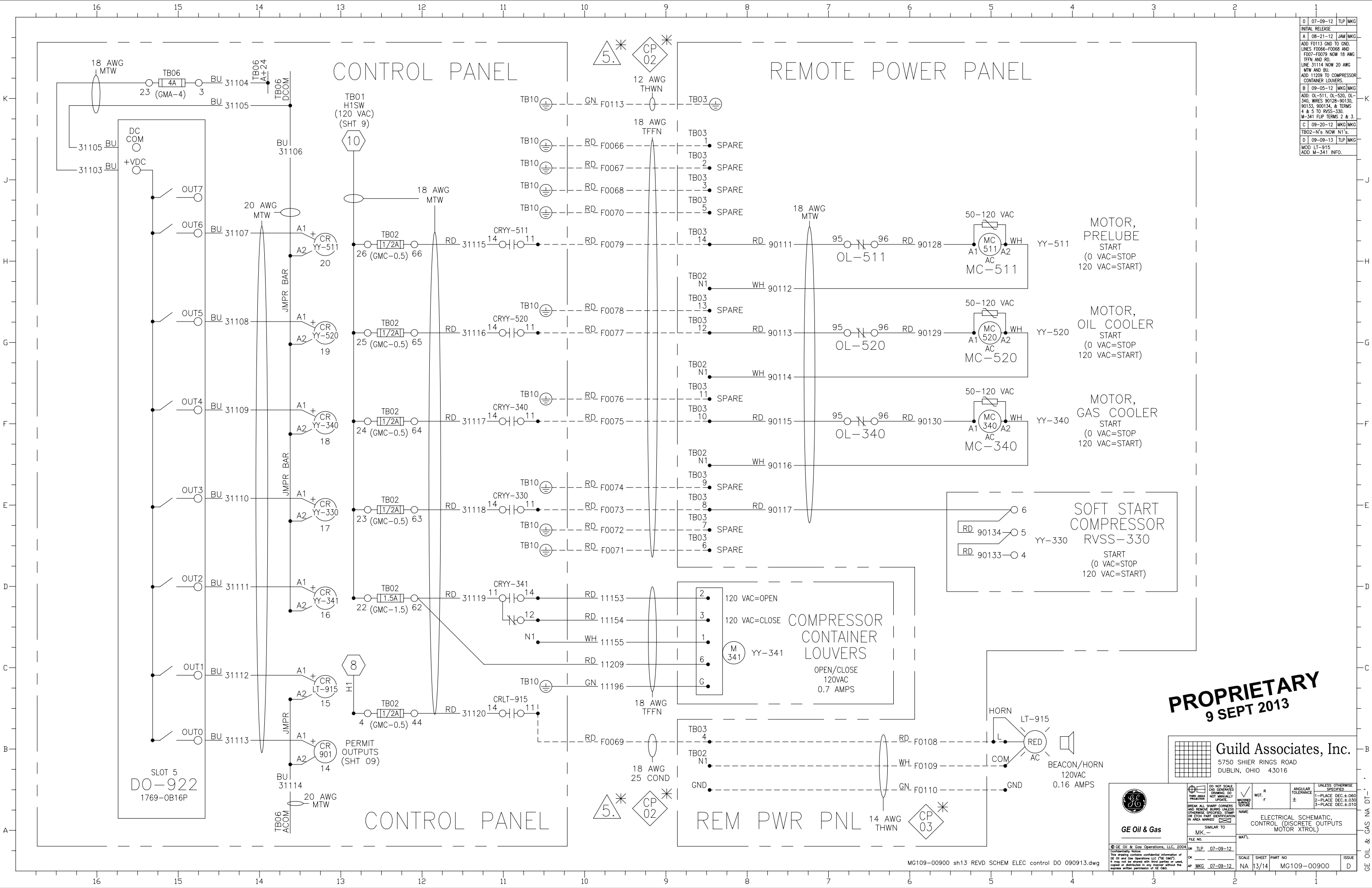
0	07-09-12	TLP	MKG
INITIAL RELEASE			
A	08-21-12	JAM	MKG
REMOVE WIRE NOS 31077, 31078, 31094, 31095. CONNECT FSLL-536/539, LSSL-530 GND TO SH. CHANGE FLTC WIRES FROM WH TO RD. CORRECT WIRE NO 31093. WIRE NO 31076 NOW TO TB06 ACOM.			
MC-520, 340, 511, 520 WIRES NOW 18 AWG MTW. WIRE NOS F0080-F0090 NOW TFFN.			
B	09-05-12	MKG	MKG
LSSL-536 TERMS NOW C NC NO. ASH-900 J2-NCE NOW -NCD. MC-511 NOW AUX1 W/TERMS 3 & 4. MC-520 NOW AUX1 W/TERMS 3 & 4. MC-340 NOW AUX1.			
C	09-20-12	MKG	MKG
LSSL-530: DEL GND WIRE. ADD NOTE TO CUT 2" & DON'T STRIP RED LEAD. WIRES: 90109 90110 NOW UL1007 (300V), 31102 NOW CONNECT 11 TO TB01-2. ADD MAIN BREAKER STATUS CIRCUIT TO DI-921-IN2.			

PROPRIETARY
20 SEPT 2012

Guild Associates, Inc.
5750 SHIER RINGS ROAD
DUBLIN, OHIO 43016

<p>GE Oil & Gas</p>	<p>DO NOT SCALE. DO NOT GENERATE DIMENSIONS. DO NOT MANUALLY UPDATE.</p>	<p>WGT. R F</p>	<p>ANGULAR TOLERANCE ±</p>	<p>UNLESS OTHERWISE SPECIFIED:</p>
	<p>BREAK ALL SHARP CORNERS AND REMOVE BURRS UNLESS OTHERWISE SPECIFIED. STAMP OR ENH PART IDENTIFICATION IN AREA MARKED.</p>	<p>NAME: _____</p>	<p>SCALE: _____</p>	<p>1-PLACE DEC. ±.060 2-PLACE DEC. ±.030 3-PLACE DEC. ±.010</p>
<p>FILE NO. _____</p>	<p>SIMILAR TO _____</p>	<p>DATE: 07-09-12</p>	<p>SHEET: 12/14</p>	<p>PART NO. _____</p>
<p>© GE Oil & Gas Operations, LLC, 2004 Confidentiality Notice: This drawing contains confidential information of GE Oil & Gas Operations LLC ("GE O&G"). It may not be shared with third parties or used, copied or distributed in any manner without the express written permission of GE O&G.</p>	<p>MG109-00900 sh12 REVC SCHEM ELEC control DI 092012.dwg</p>	<p>SCALE: NA</p>	<p>SHEET: 12/14</p>	<p>PART NO. MG109-00900</p>

0	07-09-12	TLP	MKG
A	08-21-12	JAM	MKG
ADD F0113 GND TO GND. ADD F0066-F0068 AND F007-F0079 NOW 18 AWG TFFN AND RD.			
B	09-05-12	MKG	MKG
ADD: OL-511, OL-520, OL-340, WIRES 90128-90130, 90133, 900134, & TERMS 4 & 5 TO RVSS-330. M-341 FLIP TERMS 2 & 3.			
C	09-20-12	MKG	MKG
TB02-N's NOW N1's.			
D	09-09-13	TLP	MKG
MOD LT-915. ADD M-341 INFO.			



MOTOR, PRELUBE START
(0 VAC=STOP
120 VAC=START)

MOTOR, OIL COOLER START
(0 VAC=STOP
120 VAC=START)

MOTOR, GAS COOLER START
(0 VAC=STOP
120 VAC=START)

SOFT START COMPRESSOR RVSS-330
START
(0 VAC=STOP
120 VAC=START)

COMPRESSOR CONTAINER LOUVERS
OPEN/CLOSE
120VAC
0.7 AMPS

HORN
LT-915
BEACON/HORN
120VAC
0.16 AMPS

PROPRIETARY
9 SEPT 2013

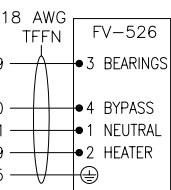
Guild Associates, Inc.
5750 SHIER RINGS ROAD
DUBLIN, OHIO 43016

DO NOT SCALE. DIMENSIONS GENERATED BY CAD. DO NOT MANUALLY PREPARE. BREAK ALL SHARP CORNERS AND REMOVE BURRS UNLESS OTHERWISE SPECIFIED. STAMP OR ETCH PART IDENTIFICATION IN AREA MARKED.		WGT. R F	ANGULAR TOLERANCE ±	UNLESS OTHERWISE SPECIFIED: 1-PLACE DEC.±.060 2-PLACE DEC.±.030 3-PLACE DEC.±.010
GE Oil & Gas		NAME		ELECTRICAL SCHEMATIC, CONTROL (DISCRETE OUTPUTS MOTOR XTROL)
SIMILAR TO		MATL.		
FILE NO. MK -		SCALE		SHEET PART NO. 13/14
DATE 07-09-12		SCALE		ISSUE NA
PROJECT M-341		SCALE		MG109-00900
DRAWN BY MKG		SCALE		D

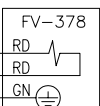
07-09-12 TLP MKG
 INITIAL RELEASE
 A 08-21-12 JAM MKG
 ADD WIRE NO 31159.
 ADD 'TB10' TO GNDS.
 FV-374 NOW DIRECT FLOW.
 FV-370 NOW STORAGE LOW.
 WIRE NOS 11177-11194
 NOW 18 AWG TFFN - RD,
 RD, GN.
 B 09-05-12 MKG MKG
 EDIT FV-526 TERM #s. DEL
 FV-362B & WIRE 31136.
 C 09-09-13 TLP MKG
 CRFV-362B NOW CR-XX1
 PCV-370 NOW FV-370.

CONTROL PANEL

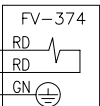
COMPR CONTAINER



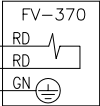
VALVE, MOTOR ACTUATED,
 COMPR LUBE BYPASS
 120VAC 0.38A
 120V ON 3 =BEARINGS
 120V ON 4 =BYPASS



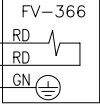
VALVE, SOLENOID,
 SLOW FILL
 120VAC 12W
 ENERGIZE=OPEN



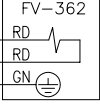
VALVE, SOLENOID,
 DIRECT FILL
 120VAC 12W
 ENERGIZE=OPEN



VALVE, SOLENOID,
 STORAGE LOW
 120VAC 12W
 ENERGIZE=OPEN



VALVE, SOLENOID,
 STORGE MEDIUM
 120VAC 12W
 ENERGIZE=OPEN

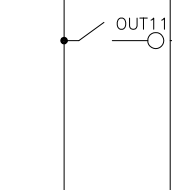


VALVE, SOLENOID,
 STORAGE HIGH
 120VAC 12W
 ENERGIZE=OPEN

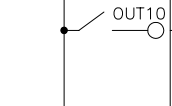
SOLENOID
 VALVE
 LEADS

CONTROL PANEL

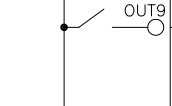
COMPR CONTAINER



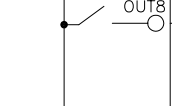
VALVE, SOLENOID,
 COMPR STAGE#4 DEPRESS
 120VAC 12W
 ENERGIZE=OPEN



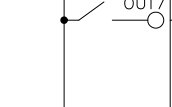
VALVE, SOLENOID,
 COMPR STAGE#3 DEPRESS
 120VAC 12W
 ENERGIZE=OPEN



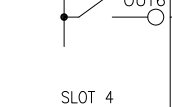
VALVE, SOLENOID,
 COMPR STAGE#2 DEPRESS
 120VAC 12W
 ENERGIZE=OPEN



VALVE, SOLENOID,
 COMPR STAGE#1 DEPRESS
 120VAC 12W
 ENERGIZE=OPEN



VALVE, SOLENOID,
 BLOWDOWN OUT
 120VAC 12W
 ENERGIZE=OPEN



VALVE, SOLENOID
 COMPR INLET
 120VAC 12W
 ENERGIZE=OPEN

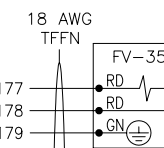
SOLENOID
 VALVE
 LEADS

CONTROL PANEL

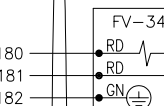
SLOT 4
 DO-921
 1769-OB16P
 (CONTINUED)

CONTROL PANEL

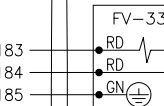
COMPR CONTAINER



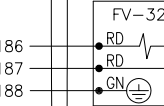
VALVE, SOLENOID,
 COMPR STAGE#4 DEPRESS
 120VAC 12W
 ENERGIZE=OPEN



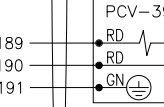
VALVE, SOLENOID,
 COMPR STAGE#3 DEPRESS
 120VAC 12W
 ENERGIZE=OPEN



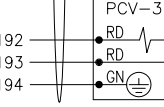
VALVE, SOLENOID,
 COMPR STAGE#2 DEPRESS
 120VAC 12W
 ENERGIZE=OPEN



VALVE, SOLENOID,
 COMPR STAGE#1 DEPRESS
 120VAC 12W
 ENERGIZE=OPEN



VALVE, SOLENOID,
 BLOWDOWN OUT
 120VAC 12W
 ENERGIZE=OPEN



VALVE, SOLENOID
 COMPR INLET
 120VAC 12W
 ENERGIZE=OPEN

SOLENOID
 VALVE
 LEADS

Guild Associates, Inc.
 5750 SHIER RINGS ROAD
 DUBLIN, OHIO 43016

PROPRIETARY
 9 SEPT 2013

 GE Oil & Gas	DO NOT SCALE DIMENSIONS UNLESS OTHERWISE SPECIFIED	UNLESS OTHERWISE SPECIFIED
	1-PLACE DEC.#:060 2-PLACE DEC.#:030 3-PLACE DEC.#:010	NAME MK- MATL. MK-
GE Oil & Gas Operations, LLC, 2004 Confidential Notice: This drawing contains confidential information of GE Oil & Gas Operations LLC ("GE O&G"). It may not be shared with third parties or used, copied or distributed in any manner without the express written permission of GE O&G.	SCALE SHEET PART NO NA 14/14 MG109-00900	ISSUE C