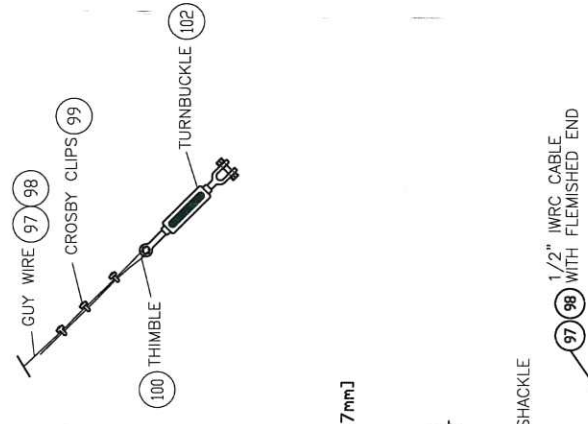


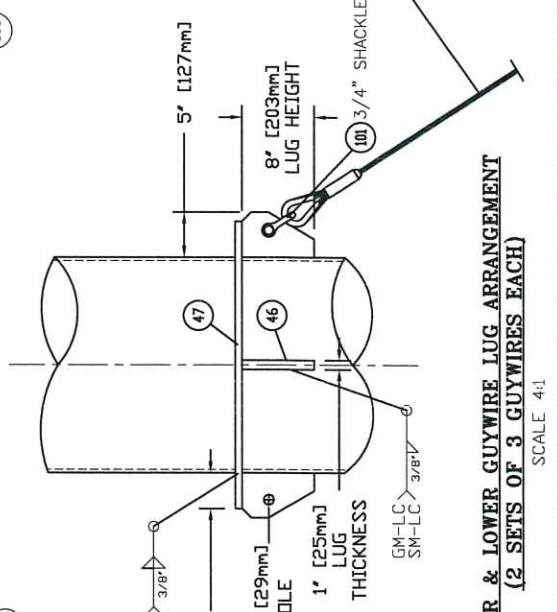
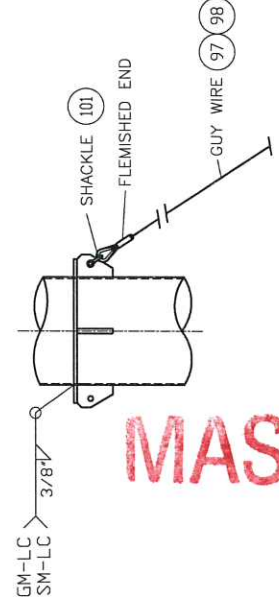
UPPER SECTION  
SCALE 1:1

**GUYWIRE ANCHOR CONNECTION**  
 ONE - 7/8" x 18" J & J TURNBUCKLE  
 ONE - 1/2" GALVANIZED HEAVY THIMBLE  
 THREE - 1/2" GALVANIZED CROSBY CLIPS  
 ONE - 1/2" 6 x 26 GALV. IRVC CABLE F.D.E.  
 (TYPICAL 3 SETS)



**NOTE:**  
 ORIENTATION VIEW DEPICTS  
 TRUE ORIENTATION PLACEMENT  
 OF STACK COMPONENTS.

**GUYWIRE LUG CONNECTION**  
 ONE - 3/4" GALVANIZED SCREW PIN SAFETY SHACKLE  
 ONE - 1/2" 6 x 26 GALV. IRVC CABLE F.D.E.  
 (TYPICAL 3 SETS)



UPPER & LOWER GUYWIRE LUG ARRANGEMENT  
 (2 SETS OF 3 GUYWIRES EACH)  
 SCALE 4:1

**MASTER VENDOR PRINT**

Rev.	Description	By	Y	M	D
2	UPDATED TITLEBLOCK, CHANGE N1 SIZE AND ELEVATION ON SHEET 1 AND 3	KW	12	06	20
1	REPLACE WORM GEAR WINCH WITH HIGH VOLUME DRILL DRIVEN WINCH ON SHEETS 1 AND 3	KW	12	06	12
0	ISSUED FOR APPROVAL PURPOSES	AMG	12	06	06

**Coating & Preparation:**  
 1.) STACK EXTERIOR  
 SANDBLAST SSPC-SP6 (1.5 - 2.5 mils)  
 PRIMER: CLOVERDALE PRIMER, (2-2.5 mils DFT)  
 TOPCOAT: CLOVERDALE 200C, (2-2.5 mils DFT) D.D.T  
 ORANGE & WHITE FINISH.

**Ignition System:**  
 TORNADO RETRACTABLE FUEL GAS  
 PILOT MODEL TSI#6 c/w AUTO RELITE  
 SYSTEM TPRM 24 V.D.C. (TWD)

**General Notes:**  
 1.) MTRS PROVIDED ON REQUEST AND RECEIPT OF ORDER.  
 2.) TORNADO STANDARD FOR PLUMBNESS TOLERANCE IS 1 INCH PER  
 100 FEET OF VERTICAL HEIGHT.  
 3.) BASE PLATE ANCHORS TO BE DOUBLE NUTTED.  
 4.) FOUNDATION TO BE DESIGNED BY A QUALIFIED ENGINEER.

**Fabrication Tolerances \***

<b>Fractional:</b>	
Ø0" to Ø24"	±1/8"
Greater than Ø24"	±1/4"
<b>Decimal:</b>	
Ø0" to Ø24"	±1/8"
Greater than Ø24"	±1/4"
<b>Angular:</b>	
All	±2°

\*Unless otherwise stated

<b>Name of Plant:</b>	PIPESTONE COMPRESSOR STATION
<b>Lease:</b>	13-34-70-09 W6M
<b>Approx. Weight:</b>	17,232 LBS.
<b>Max. Horiz. Load At Base:</b>	3,600 LBS.
<b>Max. Vert. Load At Base:</b>	27,200 LBS.
<b>Net Overturning Moment:</b>	106,000 FT.-LBS.
<b>Design Wind Pressure:</b>	0.43 kPa
<b>Design Wind Velocity:</b>	95.8 mph
<b>Gust Factor:</b>	2.6
<b>Weld Procedure:</b>	#1323.2
<b>APEGGA Permit To Practice:</b>	#P10806
<b>CWB Registration Number:</b>	TORNG1

<b>Drawing Number:</b>	Encana-12511-GA (2)
<b>Drawn By:</b>	AMG
<b>Checked By:</b>	EW
<b>Date Drawn:</b>	JUNE 6, 2012
<b>Job Number:</b>	12511
<b>Quote Number:</b>	GEM0312
<b>Tag Number:</b>	S-560
<b>Design Code:</b>	NBC 2010
<b>Exposure Factor:</b>	1.52
<b>Anchor Diameter (Base):</b>	Ø 1 1/4"
<b>Corrosion Allowance:</b>	1/8"

**Title:**  
 Ø16" x 145'-0" TALL GUYWIRE  
 SUPPORTED FLARE STACK  
 c/w Ø16" INLET CONNECTION

**Customer:**  
 ENCANACORPORATION  
 c/o GEMINI ENGINEERED SOLUTIONS LP

**P.O.#:**  
 G1124.100-1011

**Salesperson:**  
 STEVE CAISSIE

Sheet 2 of 5

TORNADO COMBUSTION TECHNOLOGIES INC.  
 1-888-882-3882

Any Technical Data and the Designs Disclosed Herein are the Exclusive Property of Tornado Technologies Inc. and/or Contained the Proprietary Rights of Others and are not to be used or Disclosed to Others without the Written Consent of Tornado Technologies Inc.

APPROVED FOR CONSTRUCTION  
 APPROVED AS NOTED. MAKE CHANGES NOTED AND ISSUE FOR CONSTRUCTION  
 NOT APPROVED. MAKE CHANGES NOTED AND RESUBMIT FOR APPROVAL

BY: Brent Robinson *[Signature]*  
 DATE: 28 June 2012  
**GEMINI**

GEMINI				
Order	Discipline	To	Date	Initials
	Project Engineer		Jun 28/12	SA
	Mech Piping/Eng		26 June 12	ES
	Mech Piping/Design			
	Civil Eng	T. Stein	21 June '12	TS
	Civil Design	G. Burt	27 June '12	GB
	Process Instrumentation	S. N-A	26 June 12	SA
	Electrical			
	Controls			
	Inspection / QA			
	Project Manager		28 Jun 12	BSR

INTERDISCIPLINARY REVIEW

FOR APPROVAL     FOR INFORMATION  
 RETURN TO \_\_\_\_\_ DATE REQUIRED: **JUN 27 2012**  
 VENDOR  
 FILE \_\_\_\_\_  
 \_\_\_\_\_

VENDOR DWG. CONTROL		
GEMINI CALGARY, ALBERTA		DATE JUN 20 2012
JOB No.	P.O. #	SUB #
G 11124.100		2