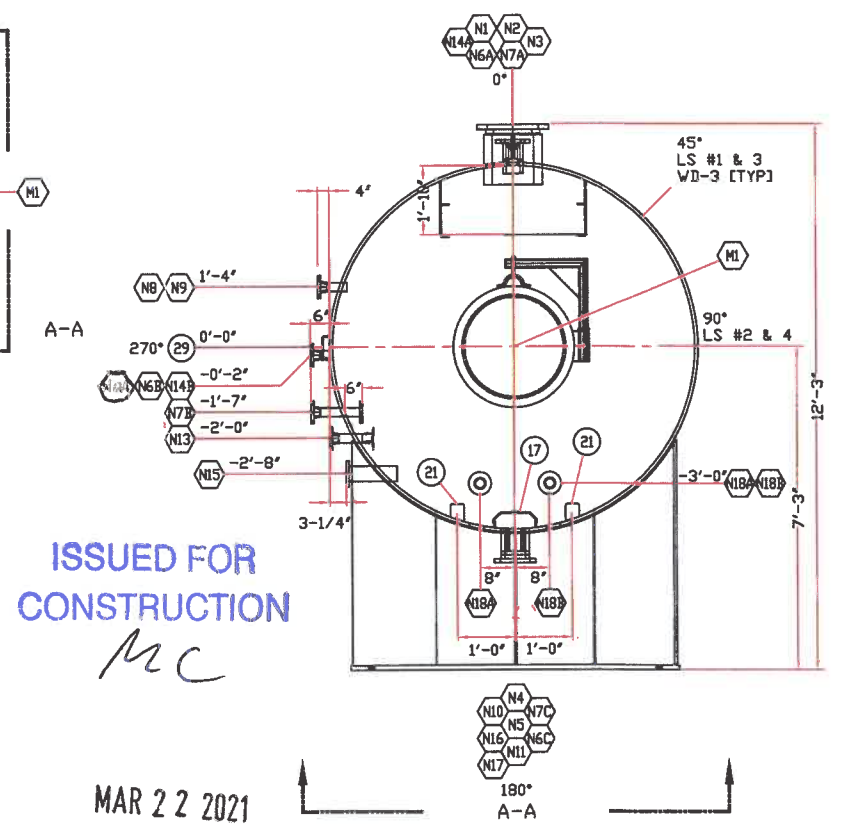
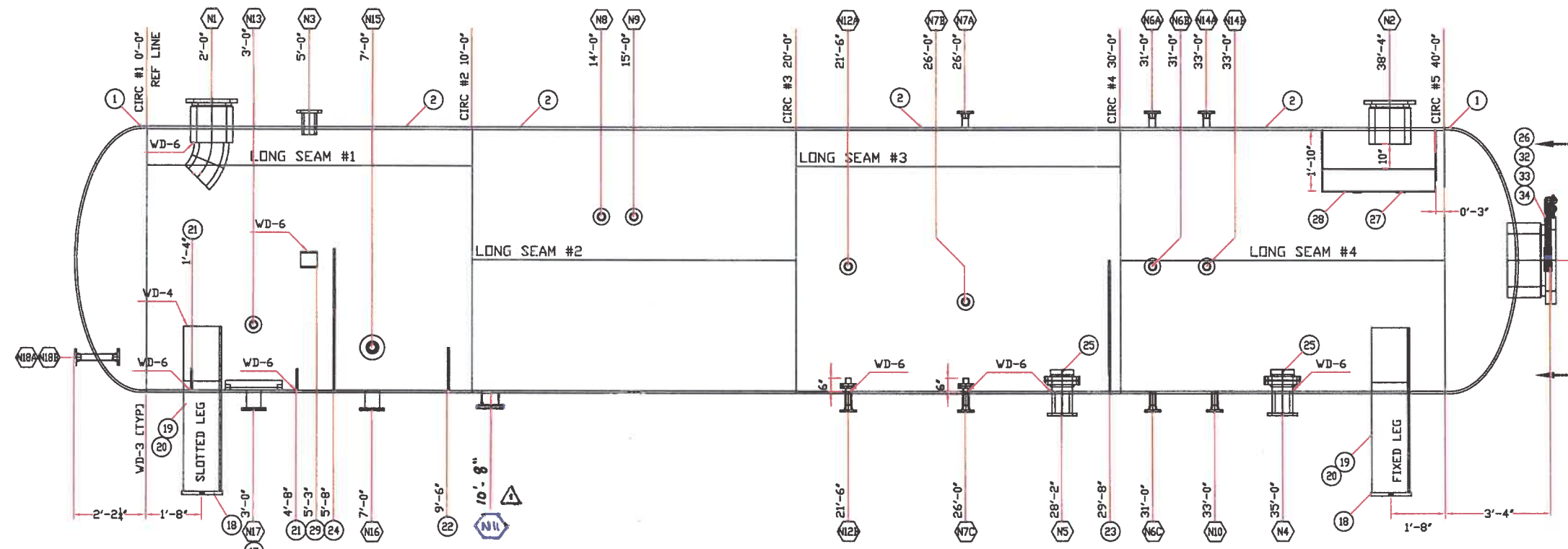


MARK	QTY	SIZE	SCH	CLASS & TYPE	SERVICE	MINIMUM PROJECTION		WELD SIZE			WELD DETAIL	BOM ITEM NO.
						INSIDE	OUTSIDE	A	B	C		
M1	1	24"	2.81"	300 RF HB	MANWAY	4"	AS SHOWN	3/8"	-	-	2	6,7
N1	1	16"	2.38"	300 RFHB	INLET	3 1/8"	10"	3/8"	-	-	2	8
N2	1	16"	2.38"	300 RFHB	OUTLET	3 1/8"	10"	3/8"	-	-	2	8
N3	1	4"	1.40"	300 RFHB	PSV	-	6"	3/8"	-	-	2	11
N4	1	6"	1.81"	300 RFHB	CONDENSATE OUT	-	8"	3/8"	-	-	2	10
N5	1	6"	1.81"	300 RFHB	WATER OUT	-	8"	3/8"	-	-	2	10
N6A	1	2"	160	300 RFWN	CONDENSATE BRIDLE	-	6"	3/8"	-	-	8,9	12,14
N6B	1	2"	160	300 RFWN	CONDENSATE BRIDLE	-	AS SHOWN	3/8"	-	-	8,9	12,15
N6C	1	2"	160	300 RFWN	CONDENSATE BRIDLE	-	6"	3/8"	-	-	8,9	12,14
N7A	1	2"	160	300 RFWN	WATER BRIDLE	-	6"	3/8"	-	-	8,9	12,14
N7B	1	2"	160	300 RFWN	WATER BRIDLE	-	AS SHOWN	3/8"	-	-	1,8	12,13,15
N7C	1	2"	160	300 RFWN	WATER BRIDLE	-	6"	3/8"	-	-	8,9	12,14,13,4
N8	1	2"	160	300 RFWN	PI	-	AS SHOWN	3/8"	-	-	1,8	12,15
N9	1	2"	160	300 RFWN	TI	-	AS SHOWN	3/8"	-	-	1,8	12,15
N10	1	2"	160	300 RFWN	DRAIN	-	6"	3/8"	-	-	8,9	12,14
N11	1	4"	1.40"	300 RFHB	DRAIN	-	6"	3/8"	-	-	1	11
N12A	1	2"	160	300 RFWN	LSLL BRIDLE	-	AS SHOWN	3/8"	-	-	8,9	12,15
N12B	1	2"	160	300 RFWN	LSLL BRIDLE	-	6"	3/8"	-	-	8,9	12,14,13,4
N13	1	2"	160	300 RFWN	DESAND SPRAY	-	AS SHOWN	3/8"	-	-	1,8	9
N14A/B	2	2"	160	300 RFWN	LSHH	-	6"	3/8"	-	-	8,9	12,14
N15	1	3"	1.24"	300 RFHB	COMPRESSOR	-	AS SHOWN	3/8"	-	-	1	9
N16	1	4"	1.40"	300 RFHB	DRAIN/EMULSION	-	6"	3/8"	-	-	1	11
N17	1	4"	1.40"	300 RFHB	CLEANOUT	-	6"	3/8"	-	-	1	11
N18A/B	2	2"	160	300 RFWN	FUTURE COIL	-	AS SHOWN	3/8"	-	-	1,8	12,13,5

ITEM	QTY	COMMENT	DESCRIPTION	MATERIAL
M2	4	SHELL	PLATE - 96"ID x 2" THK (1.9375" MIN) 2:1 SE, 2" SF, HF	SA-516-70N
M3	3		PLATE - 96"ID x 10'-0" LG x 2" THK	SA-516-70N
N2	4	N/C, N2B	PIPE - 2" SCH.80	1-7/8" LONG SA-106-B
N5	2	N8A/B	PIPE - 2" SCH.160 (0.344")	10-1/8" LONG SA-106-B
N6	1	M1	FLANGE - 24" CLASS 300 RF HB x 20" LG (2.81" WALL)	SA-350 LF2 CL1
N7	1	M1	FLANGE - 24" CLASS 300 RF BLIND	SA-105N
N8	2	N1,N2	FLANGE - 16" CLASS 300 RFHB x 18" LG (2.25" WALL)	SA-350 LF2 CL1
N9	1	N15	FLANGE - 3" CLASS 300 RFHB x 14" LG (1.24" WALL)	SA-350 LF2 CL1
N10	2	N4, N5	FLANGE - 6" CLASS 300 RFHB x 10" LG (1.81" WALL)	SA-350 LF2 CL1
N11	4	N3,N16,N17,N11	FLANGE - 4" CLASS 300 RFHB x 9" LG (1.40" WALL)	SA-350 LF2 CL1
N12	10	N6A/B,N7A/C,N8,N12A/B	FLANGE - 2" CLASS 300 RFWN x SCH.160 (0.344" WALL)	SA-105N
N13	6	N7B, N7C, N2B, N8A/B	FLANGE - 2" CLASS 300 RFSO	SA-105N
N14	5	N6A/B,N7A/C,N8,N12A/B	PIPE - 2" SCH.160 x 3 1/8" LONG (0.344")	SA-106-B
N15	4	N7B, N8, N9, N12A	PIPE - 2" SCH.160 (0.344")	C.T.S SA-106-B
N16	1	N1	EL.BOV - 18" 45° ELBOV x SCH.STD	SA-234-WPB
N17	1	SAND TROUGH	PLATE - 1/4" THK - 24" x 24" BREAK 45 DEG AT 6"-12"-6"	SA-36 / 44W
N18	2	BASE PLATE	PLATE - 1 1/2" THK	SEE DETAIL SA-36 / 44W
N19	2	LEGS	PLATE - 3/8" THK	SEE DETAIL SA-36 / 44W
N20	6	RIB PLATES	PLATE - 3/8" THK	SEE DETAIL SA-36 / 44W
N21	4	PIPE TAB	4" x 6" x 3/8" THK PLATE	SA-36 / 44W
N22	1	EMULSION AGITATOR	PLATE - 3/8" THK	SEE DETAIL SA-36 / 44W
N23	1	WIER	PLATE - 3/8" THK	SEE DETAIL SA-36 / 44W
N24	1	SAND BARRIER	PLATE - 3/8" THK	SEE DETAIL SA-36 / 44W
N25	2	VORTEX BREAKER	PLATE - 1/4" THK x 2" TALL	SA-36 / 44W
N26	1	DAVIT ARM	DAVIT ARM	SEE DETAIL SA-36 / 44W
N27	1	MIST SUPPORT	PLATE - 3/8" THK	SEE DETAIL SA-36 / 44W
N28	1	MISTEX	6" THK x 9#/FT3	316L SS
N29	1	NAME PLATE	STANDARD NAME PLATE AND BRACKET	SS / SA-36
N30	2	PIPE TAB	4" x 6" x 3/8" THK PLATE	SA-36 / 44W
N31	2	PIPE TAB	4" x 11" x 3/8" THK PLATE	SA-36 / 44W
N32	1	M1	GASKET - 24" CL.300 SPIRAL WOUND	316 SS
N33	24	M1	STUDS - 1 1/2" x 9 1/4"	A193-B7M
N34	48	M1	NUTS - 1 1/2"	A194-2HM



ISSUED FOR CONSTRUCTION

MC

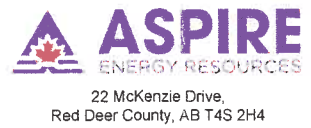
MAR 22 2021

- GENERAL NOTES**
1. QUALITY CONTROL PROGRAM NUMBER: AQP-1494
 2. WELDING PROCEDURE REGISTRATION NUMBER: WP-22-55.2
 3. CAPACITY: 2186 CUFT
 4. SERVICE: HYDROCARBONS
 5. EXPOSED INSIDE EDGES OF NOZZLES OR OPENINGS SHALL HAVE AN 1/8" MINIMUM RADIUS
 6. SURFACE PREPARATION: HAND TOOL CLEAN (MINIMUM)
 7. PRIME AND PAINT: AS PER CLIENT SPECIFICATIONS
 8. ALL BOLT HOLES TO STRADDLE CENTERLINES
 9. CLEAN AND COVER ALL OPENINGS FOR SHIPMENT
 10. USE WELD PROCEDURE AER-5, AER-11 FOR ALL TACK WELDS
 11. DEL-460
 12. CRN: Y9654 213
 13. CRN DRAWING: 5783-1 REV 1, 5783-2 REV 1, 5783-3 REV 1
 - CRN CALCULATIONS: 96-0720-5783-1-R1
96-0720-5783-2-R1

- DESIGN NOTES**
- DESIGN & FABRICATE TO: ASME SECTION VIII, DIVISION 1 2019 EDITION
- MAXIMUM ALLOWABLE WORKING PRESSURE (MAWP): 720 PSIG
- DESIGN TEMPERATURE: 125°F
- MINIMUM DESIGN METAL TEMPERATURE (MDMT): -49°F AT 720 PSIG
- RADIOGRAPHY: FULL PER UV-11a (RT-1)
- STRESS RELIEF: 1125°F +/- 25°F FOR 120 MINUTES MIN
- IMPACT TESTS: ITEMS WITH # IN BOM SHALL BE IMPACT TESTED PER UG-84d AT -49°F. PRODUCTION IMPACT TESTS OF CAT A AND B WELDS IS REQUIRED PER UG-84i AT -49°F. THE AVERAGE IMPACT ENERGY SHALL BE 15 FT-LBS (10 FT-LBS MIN) ALL OTHER MATERIALS ARE EXEMPT PER UCS-66b, UCS-66b1c, UCS-66g AND FIG UCS-66, NOTE C (STUDS AND NUTS)
- HYDROSTATIC TEST PRESSURE: 936 PSIG
- CORROSION ALLOWANCE: 1/8"
- WEIGHT EMPTY: 125,000 LBS
- WEIGHT FULL OF WATER: 263,000 LBS

- STANDARD TOLERANCES**
- FABRICATION:**
- GENERAL DEVIATION: +/- 1/8"
 - OVERALL LENGTH: +/- 1/4"
 - ANGULAR: +/- 1°
- WELD PREPARATION:**
- LAND: 1/16" +/- 1/32"
 - ROOT GAP: 1/8" +/- 1/16"
 - ANGULAR: +/- 15°

REV	DATE	REVISION	BY	CHKD
1	21-03-22	CHANGED N11 TO 4"	MC	DS
0	21-02-02	ISSUED FOR CONSTRUCTION	MC	DS



CLIENT: KELL EXPLORATION NGL	DATE: 21-02-02	3 PHASE SOUR SEPARATOR
JOB NO: 5486	DRAWN BY: MC	96" ID x 40'-0" S/S
CHECKED BY: DS	APP BY:	720 PSIG AT -49° F / 125° F
DWG NO: 5486-05	REV: 1	