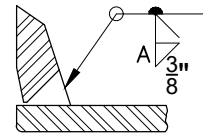


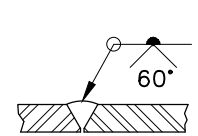
THIS DRAWING IS THE PROPERTY OF ASPIRE ENERGY RESOURCES INC. IT MAY NOT BE REPRODUCED WITHOUT THE PERMISSION OF ASPIRE ENERGY RESOURCES INC.

GENERAL NOTES:

1. DESIGNED TO ASME B31.3 2016 EDITION
2. DESIGN PRESSURE: 740 PSI
3. PRESSURE TEST: 1110 PSI
4. RADIOGRAPHY: 100 %
5. PWHT: NO
6. HARDNESS TESTING: 10 %



WELD DETAIL 1
WPS: AER-1,6

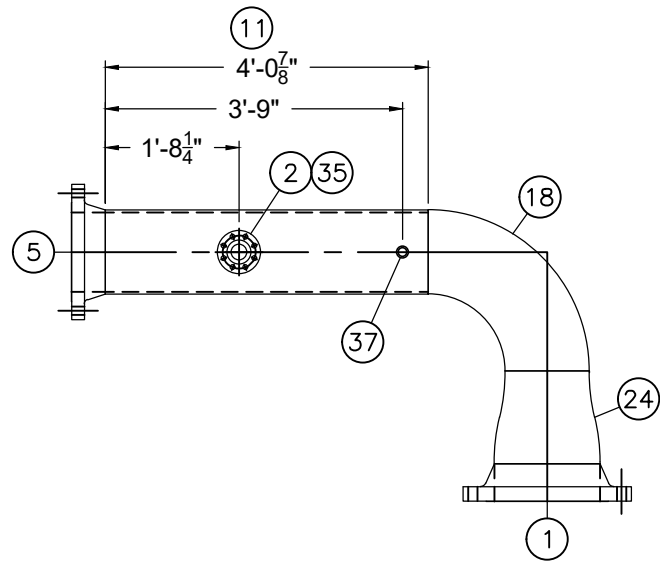


WELD DETAIL 2
WPS: AER-1,6

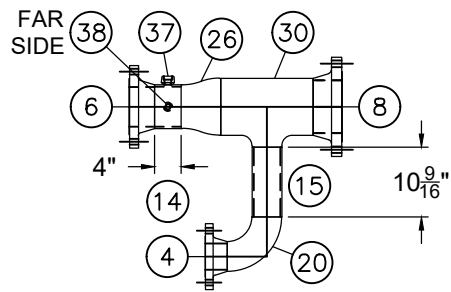
BILL OF MATERIALS

TAG	QTY.	DESCRIPTION	MATERIAL	HEAT NUMBERS
1	2	16" 300# ANSI RFWN FLANGE SCH T40	SA-105-N	
2	6	2" 300# ANSI RFWN FLANGE SCH XH	SA-105-N	
3				
4	4	4" 300# ANSI RFWN FLANGE SCH 40	SA-105-N	
5	1	12" 300# ANSI RFWN FLANGE SCH XH	SA-105-N	
6	2	6" 300# ANSI RFWN FLANGE SCH XH	SA-105-N	
7				
8	5	8" 300# ANSI RFWN FLANGE SCH XH	SA-105-N	
9				
10				
11	-	12" SCH XH SMLS PIPE	SA-106-B	
12	-	8" SCH XH SMLS PIPE	SA-106-B	
13				
14	-	6" SCH XH SMLS PIPE	SA-106-B	
15	-	4" SCH 40 SMLS PIPE	SA-106-B	
16	-	3" SCH 40 SMLS PIPE	SA-106-B	
17	-	2" SCH XH SMLS PIPE	SA-106-B	
18	1	12" 90° LR ELBOW SCH XH	SA-234-WPB	
19	3	8" 90° LR ELBOW SCH XH	SA-234-WPB	
20	1	4" 90° LR ELBOW SCH 40	SA-234-WPB	
21				
22	3	2" 90° LR ELBOW SCH XH	SA-234-WPB	
23				
24	1	16" x 12" SCH T40 x XH CONC REDUCER	SA-234-WPB	
25	1	16" x 8" SCH XH CONC REDUCER	SA-234-WPB	
26	2	8" x 6" SCH XH CONC REDUCER	SA-234-WPB	
27				
28				
29	1	4" x 2" SCH 40 x XH CONC REDUCER	SA-234-WPB	
30	2	8" x 4" REDUCING TEE SCH XH x 40	SA-234-WPB	
31				
32	1	4" STRAIGHT TEE SCH 40	SA-234-WPB	
33				
34				
35	1	2" SCH 80 WOL 6"-8" RUN	SA-105-N	
36				
37	3	1" 3000# TOL	SA-105-N	
38	3	1/2" 3000# TOL	SA-105-N	
39				
40				

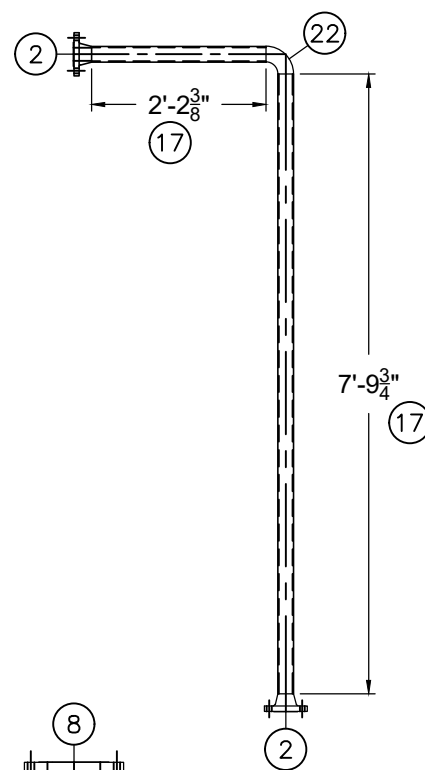
NG-100-323.9-BS



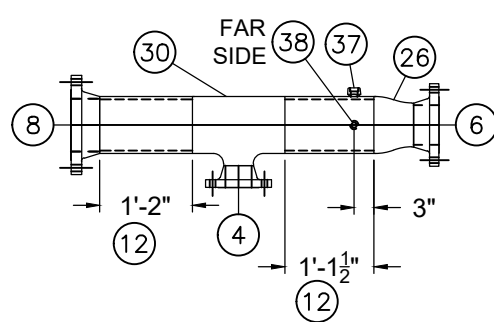
NG-103-219.1-BS



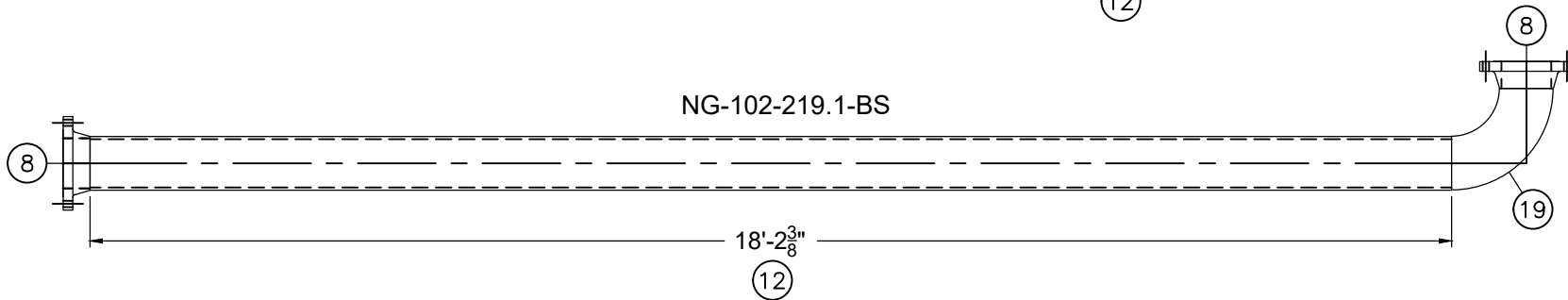
NG-106-60.3-BS



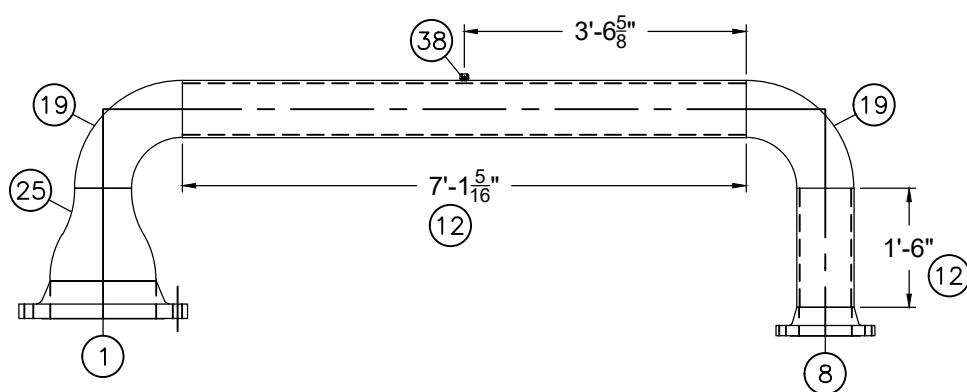
NG-104-219.1-BS



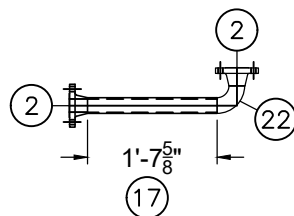
NG-102-219.1-BS



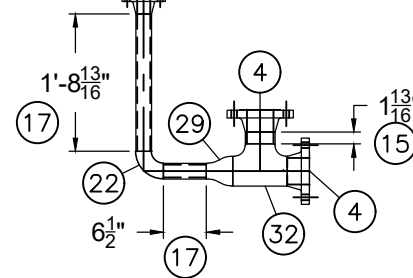
NG-101-219.1-BS



NG-107-60.3-BS



NG-105-114.3-BS



JOB NO. 5486

NO.	DATE	REVISION	BY	APP
1	21-03-11	REVISED SPOOLS NG-102 & NG-103	MC	
0	21-03-01	ISSUED FOR CONSTRUCTION	MC	

ASPIRE ENERGY RESOURCES INC.
22 MCKENZIE DR., RED DEER COUNTY, AB T4S 2H4
OFFICE: 403-314-5422 FAX: 403-314-1823

CLIENT: KELT EXPLORATION NGL

DATE: 21-03-01

JOB NO.: 5486

CUST NO.:

SCALE: NTS

DRAWN BY: MC

CHECKED BY:

APP BY:

SEPARATOR PACKAGE
PIPING PLAN VIEW

DWG NO.: 5486-04A

REV. 1