

BUILDINGS SPECIFICATIONS AND GENERAL NOTES

ROOF TYPE & SLOPE

GABLE 4:12
 SHED 3:12
 N/A
 OTHER _____

VAPOUR BARRIER

N/A TUCK TAPE
 4 MIL OTHER _____
 6 MIL

NOTES: _____

BUILDING VENTILATION

LOUVERS
 N/A OTHER _____
 12" X 12" MANUALLY ADJ. w/LOUVER HOOD
 4 18" X 18" MANUALLY ADJ. w/LOUVER HOOD
 24" X 24" MANUALLY ADJ. w/LOUVER HOOD

FANS
 N/A
 2 12" X 12" EXHAUST FAN XP 12 - 4 120 / 1 / 60
 24" X 24" EXHAUST FAN XP 24 - 1 120 / 1 / 60
 OTHER _____ XP _____

ALL FANS c/w HOOD AND BIRD SCREEN

HVAC HEATERS

NOTES: _____

ROOF VENTILATION

RIDGE VENT
 N/A
 6" THROAT x _____ LENGTH
 9" THROAT x _____ LENGTH
 CHAIN OPERATED w/MANUAL DAMPER AND BIRD SCREEN
 WHIRLYBIRD CHAIN OPERATED w/MANUAL DAMPER
 ROOF VENTS
 OTHER _____

MATERIAL & BUILDING COLOUR

ASTM-A653 / A792 SS GRADE 37 22 GAUGE STEEL PREPAINTED

WALL TAN (QC8315) ROOF TAN (QC8315)
 TRIM METRO BROWN (QC8228) DOOR METRO BROWN (QC8228)

ASTM A792SS GRADE 37 AZ 50 22 GAUGE GALVALUME

WALL _____ ROOF _____
 TRIM _____ DOOR _____

NOTES: _____

WALL THICKNESS

INTERLOCKING STRUCTURAL RIB PANELS

3 1/2" Z CHANNEL
 4 1/2" DRYWALL OR OTHERS
 5 1/2"

FINAL WALL THICKNESS (INCHES) 3 1/2

NOTES: _____

FOUNDATION

BY OTHERS SKID (STEEL)
 BY METALEX CONCRETE
 SKID SKIRTING 22ga TIMBER
 SKID BACKSHEETING 18ga UNDER SKID INSULATION

NOTES: _____

DESIGN DATA

N/A APPROXIMATE BUILDING WEIGHT: 8122 LBS
 P-ENG DWGS REQUIRED

GROUND SNOW = _____ kPa WIND 1/10 = _____ kPa
 RAIN SURCHARGE = _____ kPa WIND 1/50 = _____ kPa

INTERIOR LINING

N/A
 WHITE
 PLAIN
 24 GA FLUTED ALUM 20 GA 10% PERF. ALUM
 26 GA FLUTED STEEL 20 GA 33% PERF. ALUM

NOTES: _____

WINDOWS

N/A
 2 40" X 40" DBL. GLAZED
 48" X 36" DBL. GLAZED

SLIDING c/w SCREEN AND WINDOW FLASHING w/DRIP

NOTES: _____

INSULATION

BUILDING N/A OTHER _____
 FIBERGLASS
 Pro Rox SL930

WALLS R12 R12
 R20 R20
 R24 R24
 R32 R32
 R36 R36

ROOF R12
 R20
 R24
 R32
 R36

VESSEL INSULATION N/A 0.020 PLAIN CORROGATED ALUM.
 1.5" FIBERGLASS OTHER _____

NOTES: _____

DOORS

2 3' X 7' 20 GA STEEL HC 6 X 7' 20 GA STEEL HC
 3' X 7' 20 GA STEEL PU 6 X 7' 20 GA STEEL PU
 3' X 7' 18 GA STEEL PS 6 X 7' 18 GA STEEL PS

c/w IWG WINDOW, 44 TP PANIC HARDWARE, CHECK CHAIN, WEATHER STRIPPING

1 SINGLE CANOPY 14 ga FRAME
 HYDRAULIC CLOSURE EXPANDABLE FRAME
 SNIFFER PORT KICK PLATE
 REMOV. TRANSOM PANEL 24" HIGH / _____
 ROLL UP DOOR
 OVER HEAD DOOR
 OTHER _____

NOTES: _____

OTHERS

EAVESTROUGH _____
 DOWNSPOUT _____
 1 STEEL ICE RAKE METRO BROWN (QC8228)
 4 TIE ROD ANGLE 2" x 2" 4 TIE ROD EXT.
 ROOF TRUSSES
 PARTITION WALL
 VESSEL CUT OUT _____ DIAM. _____
 REMOVABLE WALL PANEL
 REMOVABLE ROOF PANEL
 RIB STIFFENERS FOR WALLS RIB STIFFENERS FOR ROOF OR INSULATION RIB 18ga
 CONTAINMENT FLASHING

NOTES: _____

GENERAL NOTES

P-ENG STAMP

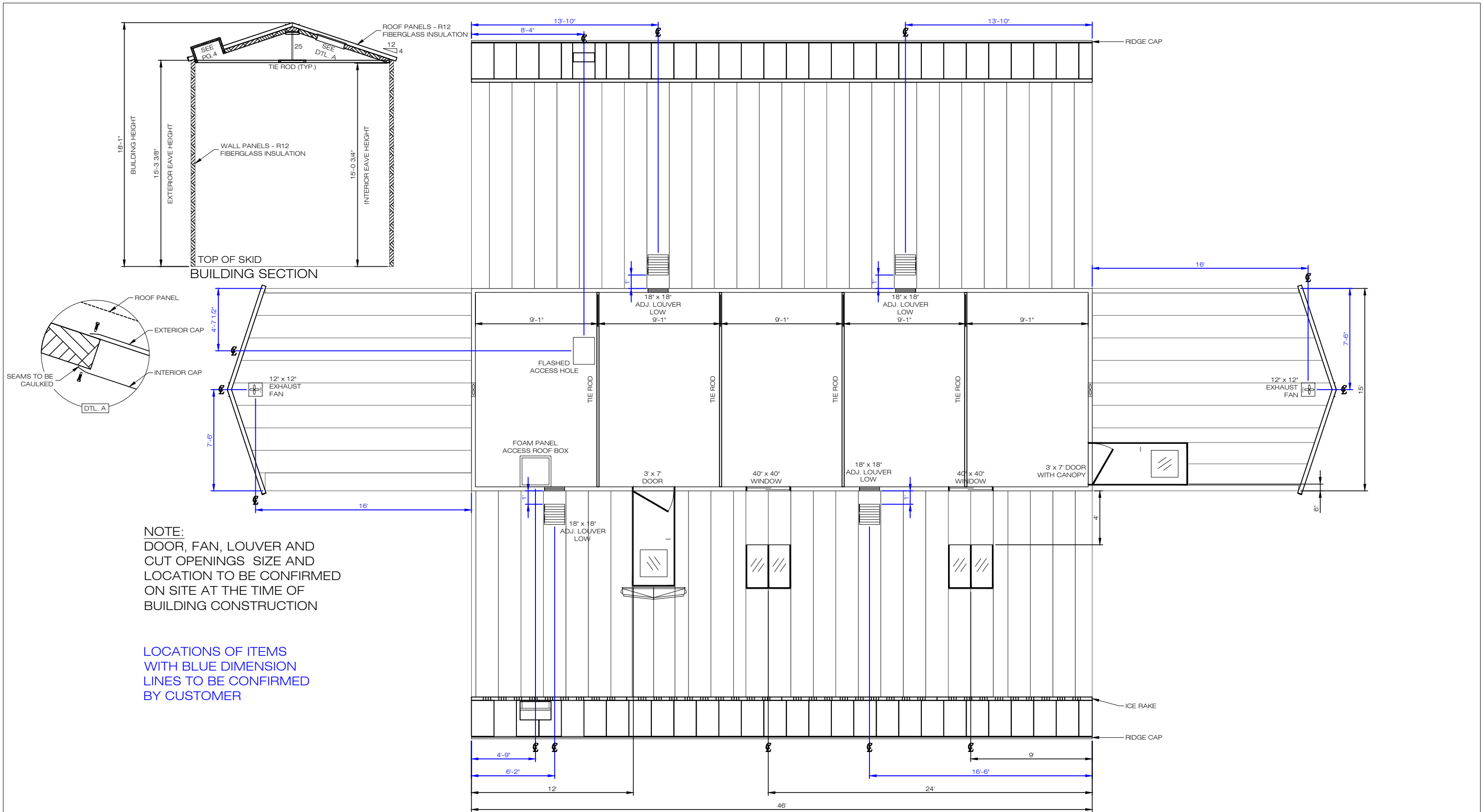
-	-	-	-
-	-	-	-
-	-	-	-
-	-	-	-
B	ISSUED FOR APPROVAL - ADDED TWO ROOF ACCESS HOLES	DF	2021.06.08
A	ISSUED FOR APPROVAL - SAME AS 19707-S AB1	FS	2021.06.02
REV	DESCRIPTION	DRAWN BY	DATE
REVISIONS			



4204 - 46 Avenue, PO Box 1058
 Stettler, AB T0C 2L0
 P - 403.742.1300 | F - 403.742.1308
 E - info@mmbi.ca | W - www.mmbi.ca

PROJECT: 5486
 LOCATION: -
 DWG NO.: 21835-S
 SHEET NO.: 1
 SCALE: NTS

CLIENT: ASPIRE ENERGY RESOURCES INC.
 TITLE: 15' 0" x 46' 0" x 15' 3 3/8"
 SELF FRAME BUILDING
 GABLE STYLE - 4:12 PITCH
 BILL OF MATERIALS



NOTE:
 DOOR, FAN, LOUVER AND
 CUT OPENINGS SIZE AND
 LOCATION TO BE CONFIRMED
 ON SITE AT THE TIME OF
 BUILDING CONSTRUCTION

LOCATIONS OF ITEMS
 WITH BLUE DIMENSION
 LINES TO BE CONFIRMED
 BY CUSTOMER

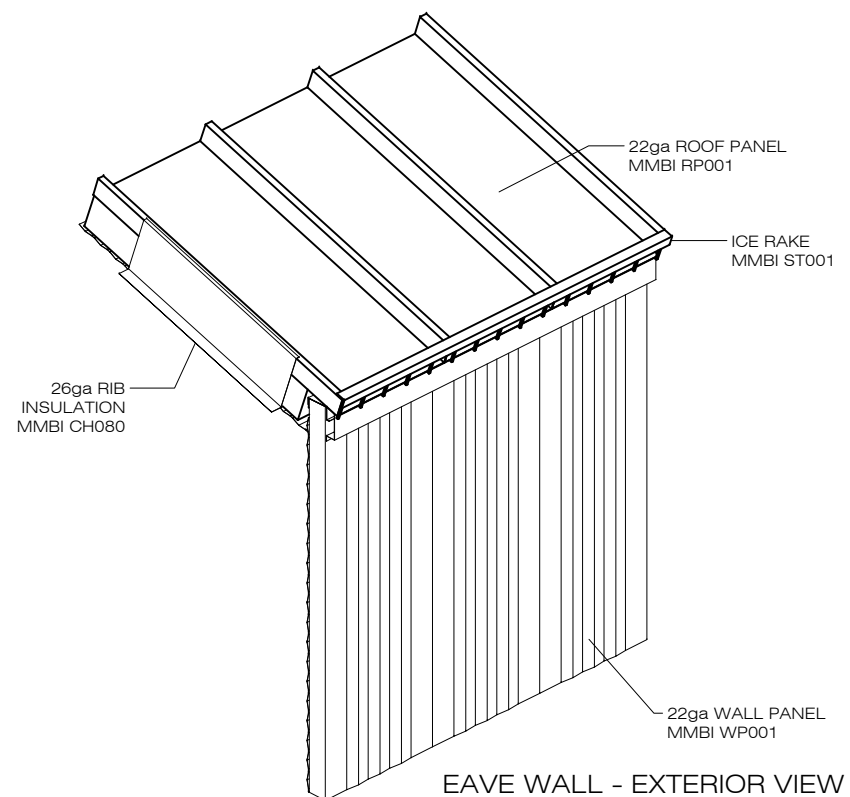
REV	DESCRIPTION	DRAWN BY	DATE
B	ISSUED FOR APPROVAL - ADDED TWO ROOF ACCESS HOLES	DF	2021.06.08
A	ISSUED FOR APPROVAL - SAME AS 19707-S AB1	FS	2021.06.02
-	-	-	-
-	-	-	-
-	-	-	-
-	-	-	-
REVISIONS			

METALEX
 METAL BUILDINGS INC.

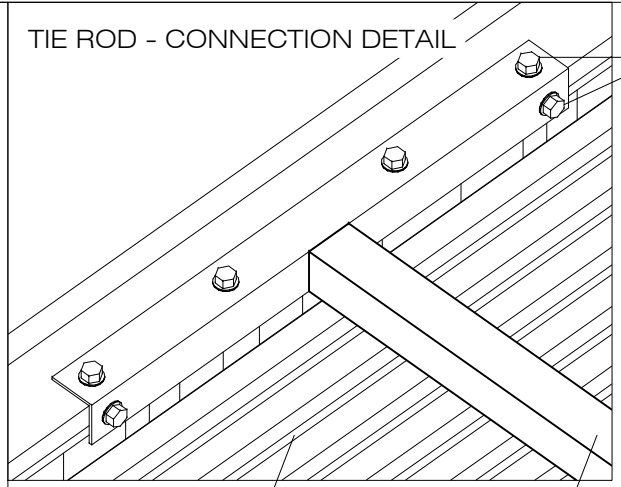
4204 - 46 Avenue, PO Box 1058
 Stettler, AB T0C 2L0
 P - 403.742.1300 | F - 403.742.1308
 E - info@mmbi.ca | W - www.mmbi.ca

PROJECT:	5486
LOCATION:	-
DWG NO.:	21835-S
SHEET NO.:	2
SCALE:	NTS

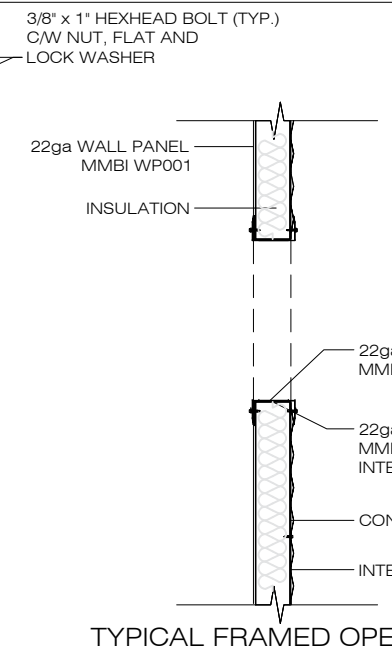
CLIENT:	ASPIRE ENERGY RESOURCES INC.
TITLE:	15' 0" x 46' 0" x 15' 3/8" SELF FRAME BUILDING GABLE STYLE - 4:12 PITCH GENERAL ARRANGEMENT



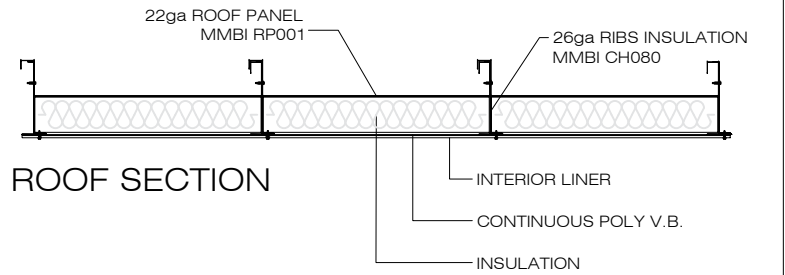
EAVE WALL - EXTERIOR VIEW



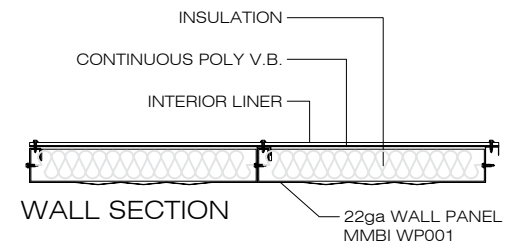
TIE ROD - CONNECTION DETAIL



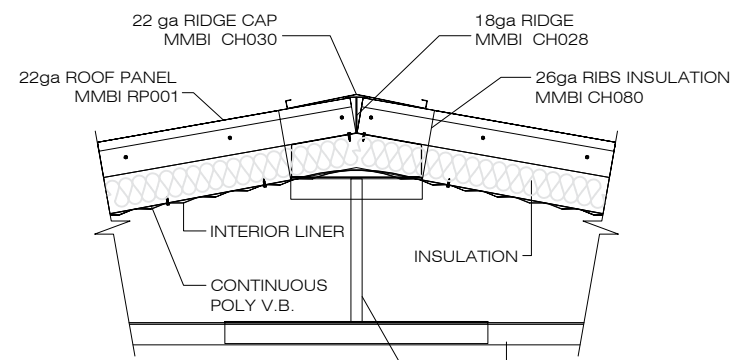
TYPICAL FRAMED OPENING



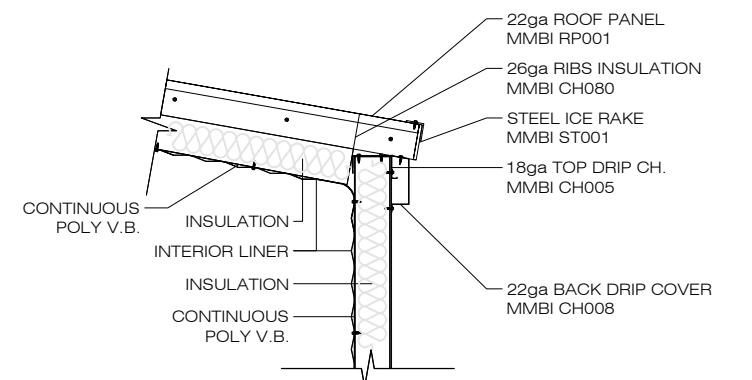
ROOF SECTION



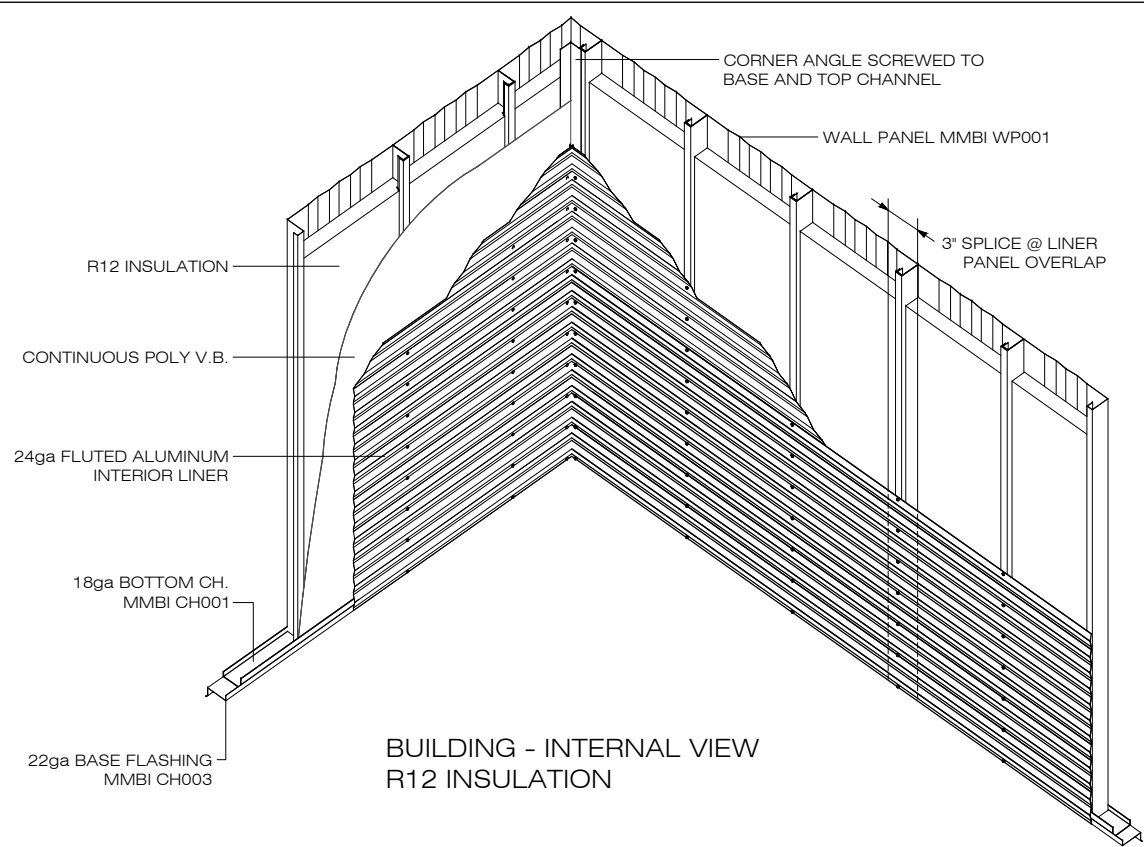
WALL SECTION



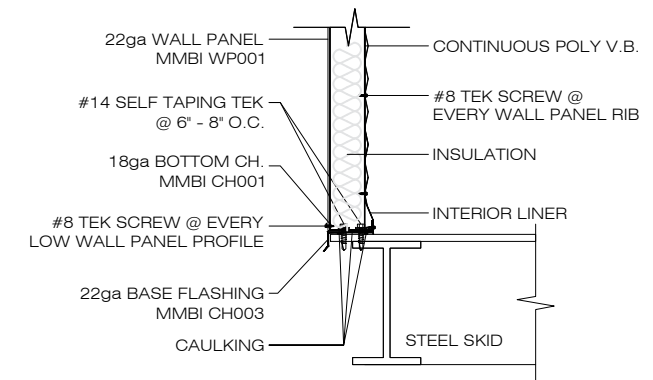
DETAIL INACTIVE RIDGE



DETAIL EAVE WALL - TOP



BUILDING - INTERNAL VIEW
R12 INSULATION



BASE DETAIL - STEEL

-	-	-	-
-	-	-	-
-	-	-	-
-	-	-	-
B	ISSUED FOR APPROVAL - ADDED TWO ROOF ACCESS HOLES	DF	2021.06.08
A	ISSUED FOR APPROVAL - SAME AS 19707-S AB1	FS	2021.06.02
REV	DESCRIPTION	DRAWN BY	DATE
REVISIONS			

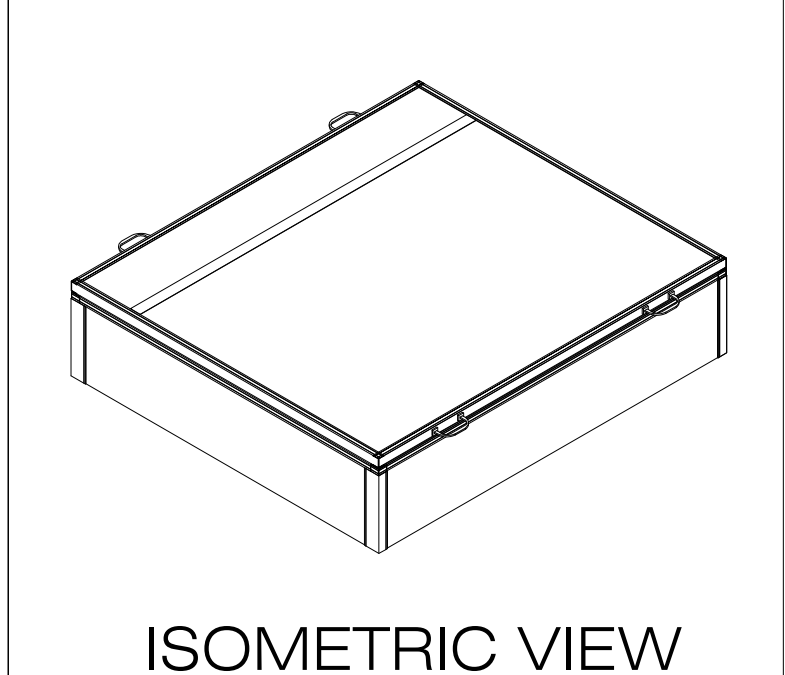
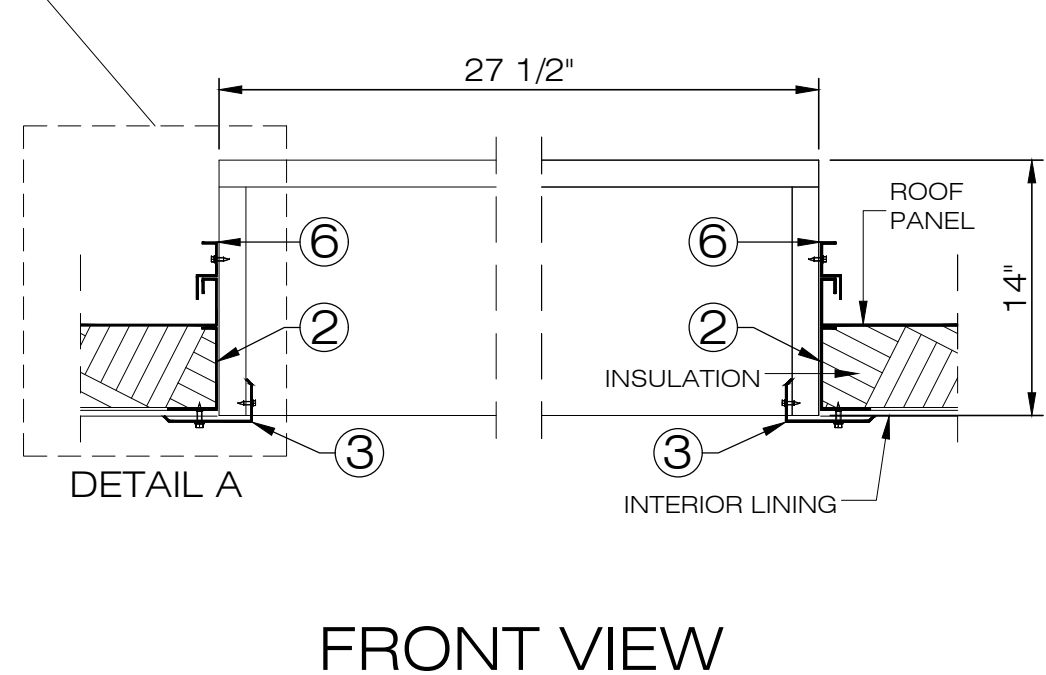
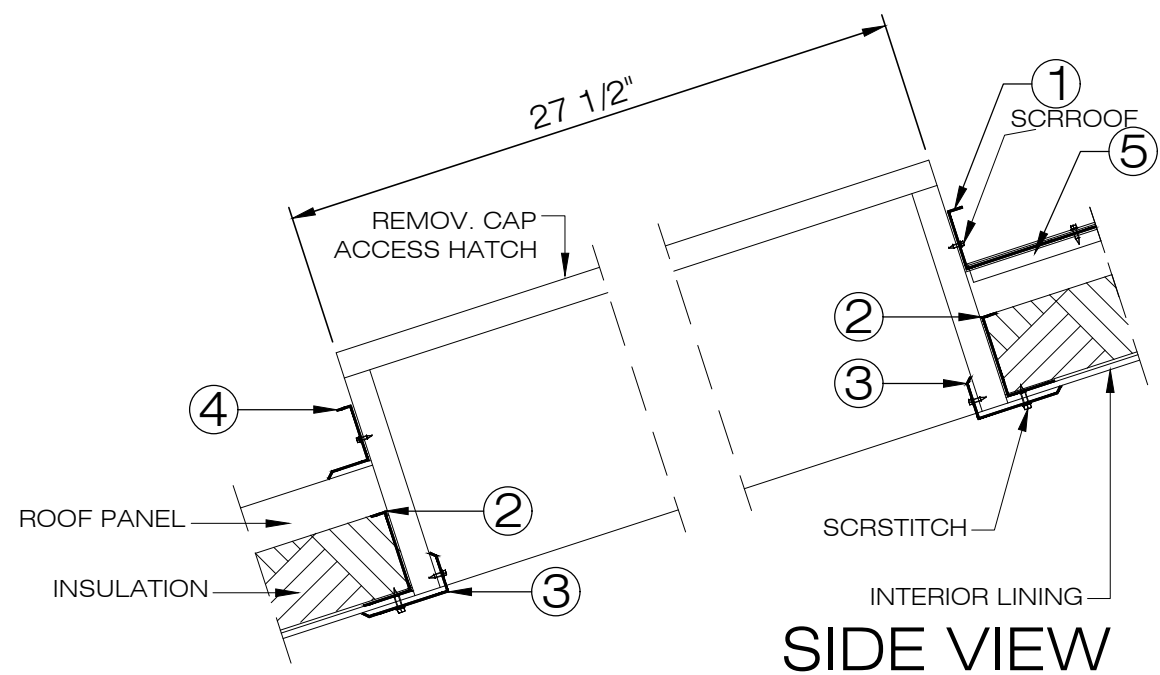
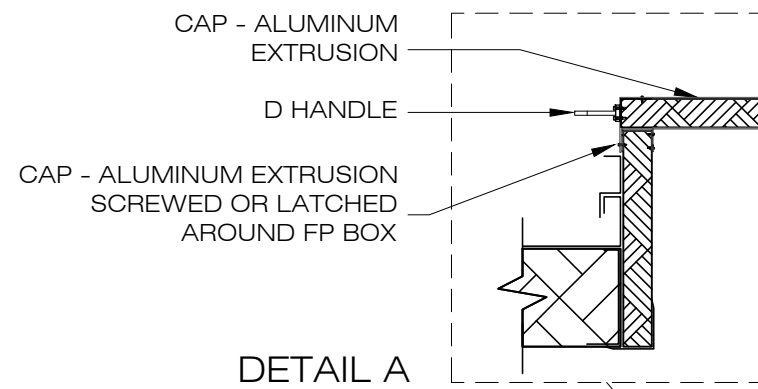
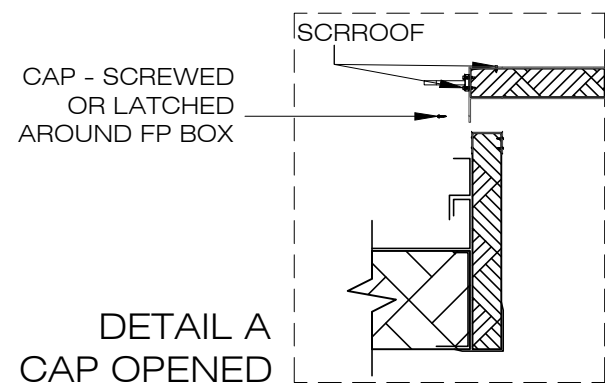
METALEX
METAL BUILDINGS INC.

4204 - 46 Avenue, PO Box 1058
Stettler, AB T0C 2L0
P - 403.742.1300 | F - 403.742.1308
E - info@mmbi.ca | W - www.mmbi.ca

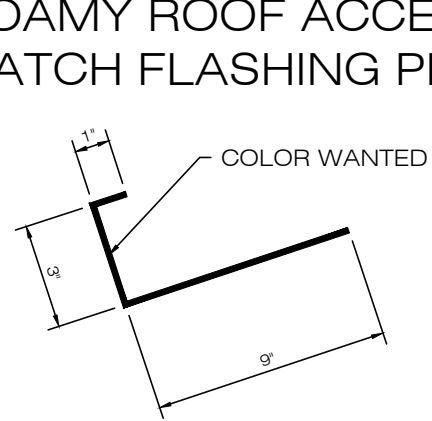
PROJECT:	5486
LOCATION:	-
DWG NO.:	21835-S
SHEET NO.:	3
SCALE:	NTS

CLIENT:	ASPIRE ENERGY RESOURCES INC.
TITLE:	15' 0" x 46' 0" x 15' 3 3/8" SELF FRAME BUILDING GABLE STYLE - 4:12 PITCH STANDARD CONNECTIONS

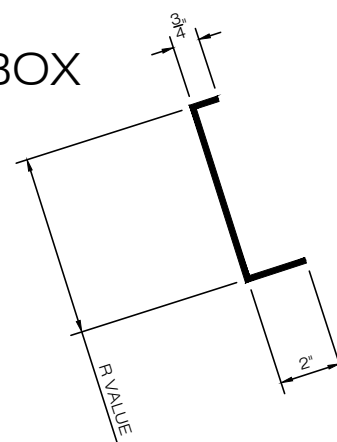
FOAMY ROOF ACCESS HATCH 2' 0" x 2' 0" (INTERIOR DIMENSIONS)



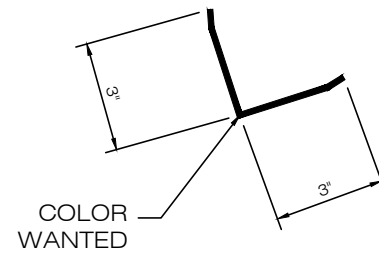
FOAMY ROOF ACCESS HATCH FLASHING PER BOX



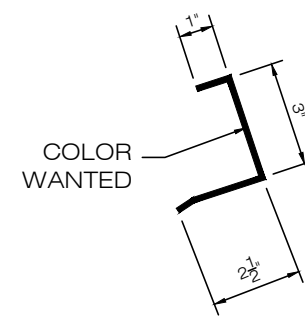
FLASHING 1
1 @ 40"



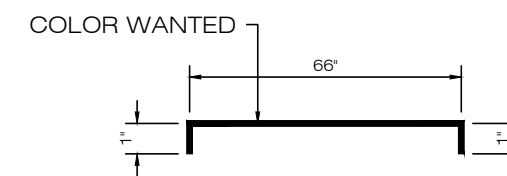
FLASHING 2
1 @ 40"



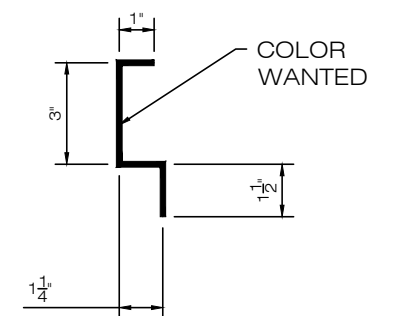
FLASHING 3
2 @ 40"



FLASHING 4
2 @ 40"



FLASHING 5
1 @ 40"



FLASHING 6
4 @ 32"

REV	DESCRIPTION	DRAWN BY	DATE
B	ISSUED FOR APPROVAL - ADDED TWO ROOF ACCESS HOLES	DF	2021.06.08
A	ISSUED FOR APPROVAL - SAME AS 19707-S AB1	FS	2021.06.02
REVISIONS			



4204 - 46 Avenue, PO Box 1058
Stettler, AB T0C 2L0
P - 403.742.1300 | F - 403.742.1308
E - info@mmbi.ca | W - www.mmbi.ca

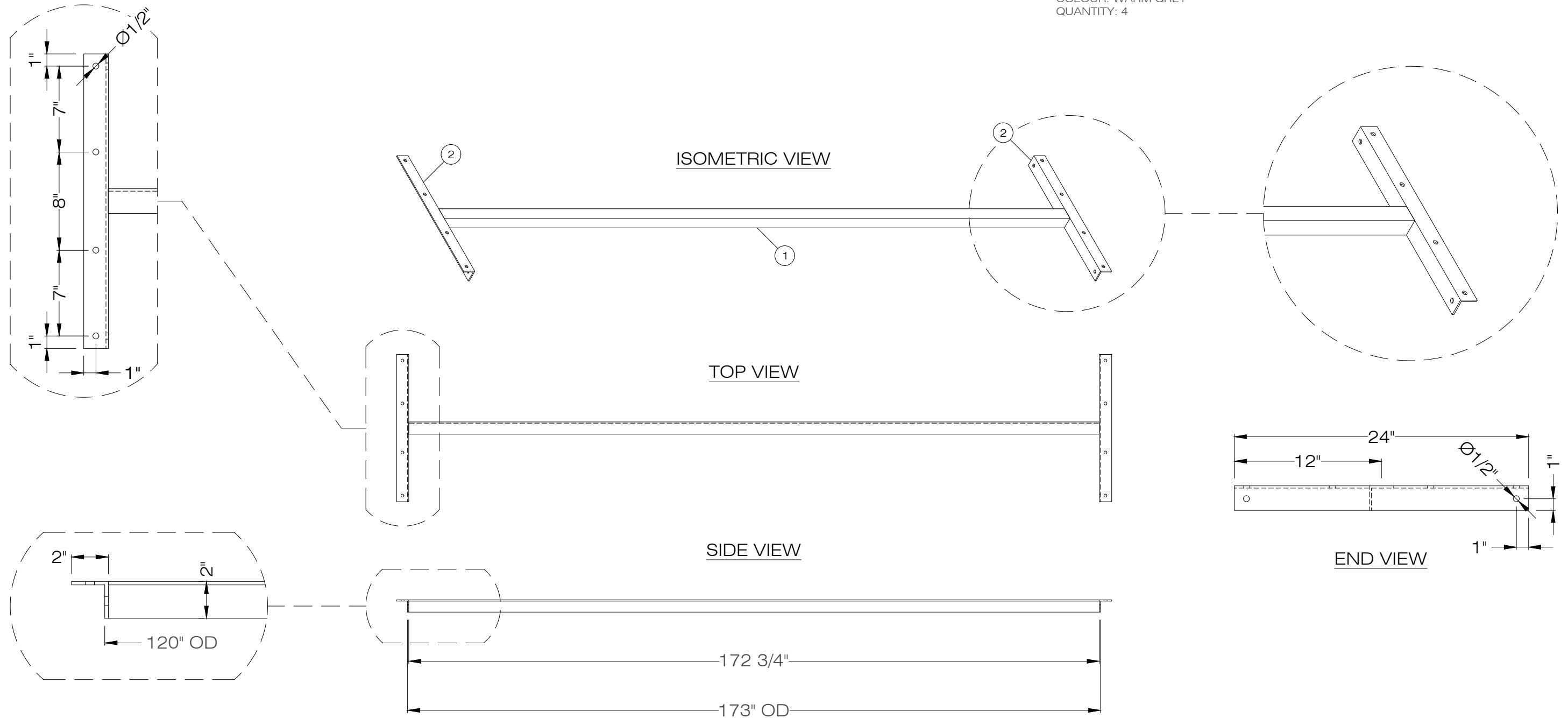
PROJECT:	5486
LOCATION:	-
DWG NO.:	21835-S
SHEET NO.:	4
SCALE:	NTS

CLIENT:	ASPIRE ENERGY RESOURCES INC.
TITLE:	15' 0" x 46' 0" x 15' 3 3/8" SELF FRAME BUILDING GABLE STYLE - 4:12 PITCH FOAM PANEL ROOF BOX

**STANDARD TIE ROD
FOR SELF FRAME BUILDING**

BILL OF MATERIALS				
ITEM	QTY	DESCRIPTION	LENGTH	MATERIAL
1	1	ANGLE - 2" x 2" x 1/8"	172 3/4"	SA-36/44W
2	2	ANGLE - 2" x 2" x 1/8"	24"	SA-36/44W

COLOUR: WARM GREY
QUANTITY: 4



REV	DESCRIPTION	DRAWN BY	DATE
-	-	-	-
-	-	-	-
-	-	-	-
B	ISSUED FOR APPROVAL - ADDED TWO ROOF ACCESS HOLES	DF	2021.06.08
A	ISSUED FOR APPROVAL - SAME AS 19707-S AB1	FS	2021.06.02
REVISIONS			

METALEX
METAL BUILDINGS INC.

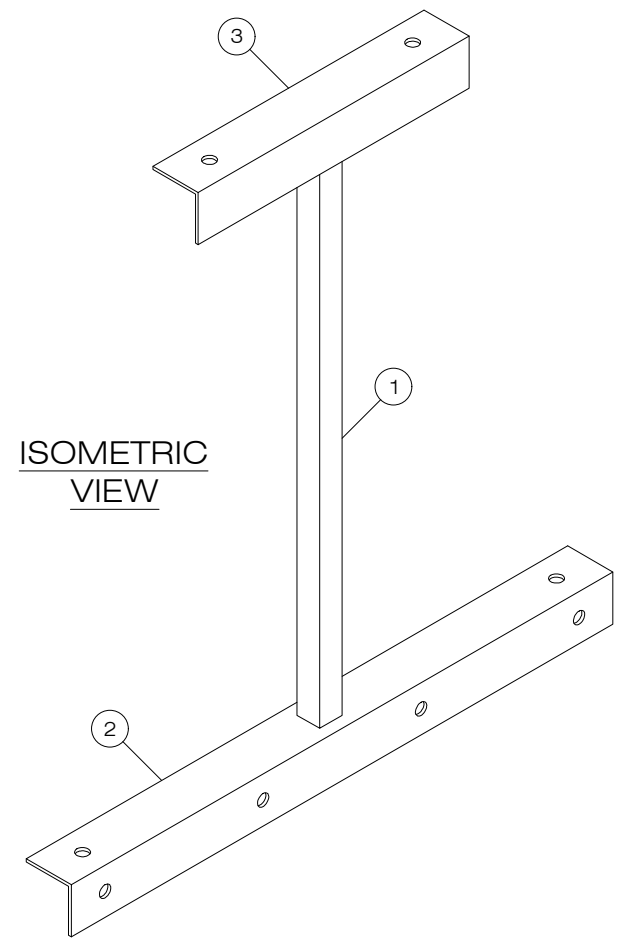
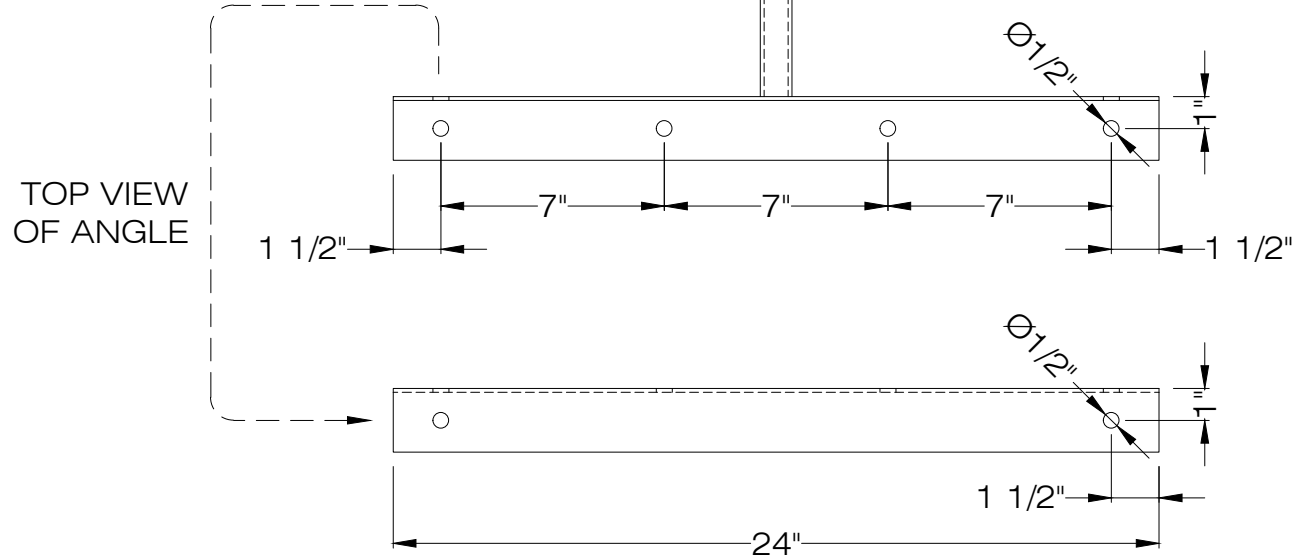
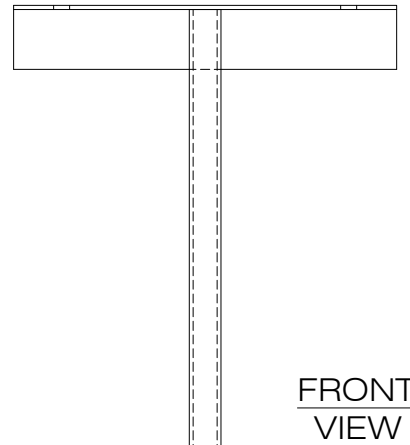
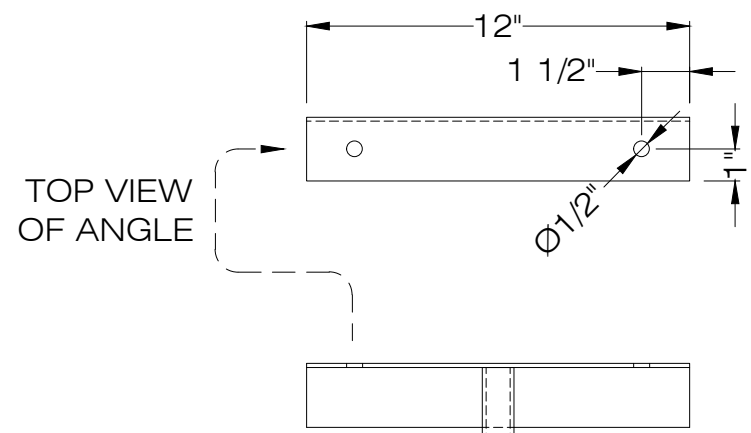
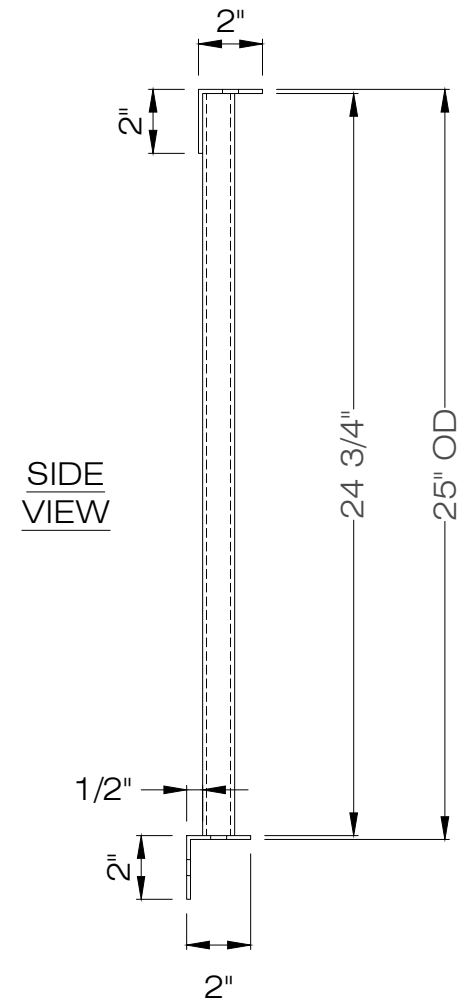
4204 - 46 Avenue, PO Box 1058
Stettler, AB T0C 2L0
P - 403.742.1300 | F - 403.742.1308
E - info@mmbi.ca | W - www.mmbi.ca

PROJECT:	5486	CLIENT:	ASPIRE ENERGY RESOURCES INC.
LOCATION:	-		
DWG NO.:	21835-S	TITLE:	15' 0" x 46' 0" x 15' 3 3/8" SELF FRAME BUILDING GABLE STYLE - 4:12 PITCH TIE ROD
SHEET NO.:	5	SCALE:	NTS

STANDARD TIE ROD EXTENSION
FOR SELF FRAME BUILDING

BILL OF MATERIALS				
ITEM	QTY	DESCRIPTION	LENGTH	MATERIAL
1	1	HSS - 1" x 1" x 0.125" WALL	24 3/4"	SA-36/44W
2	1	ANGLE - 2" x 2" x 1/8"	24"	SA-36/44W
3	1	ANGLE - 2" x 2" x 1/8"	12"	SA-36/44W

COLOUR: WARM GREY
QUANTITY: 4



REV	DESCRIPTION	DRAWN BY	DATE
B	ISSUED FOR APPROVAL - ADDED TWO ROOF ACCESS HOLES	DF	2021.06.08
A	ISSUED FOR APPROVAL - SAME AS 19707-S AB1	FS	2021.06.02
-	-	-	-
-	-	-	-
-	-	-	-
-	-	-	-
REVISIONS			

METALEX
METAL BUILDINGS INC.

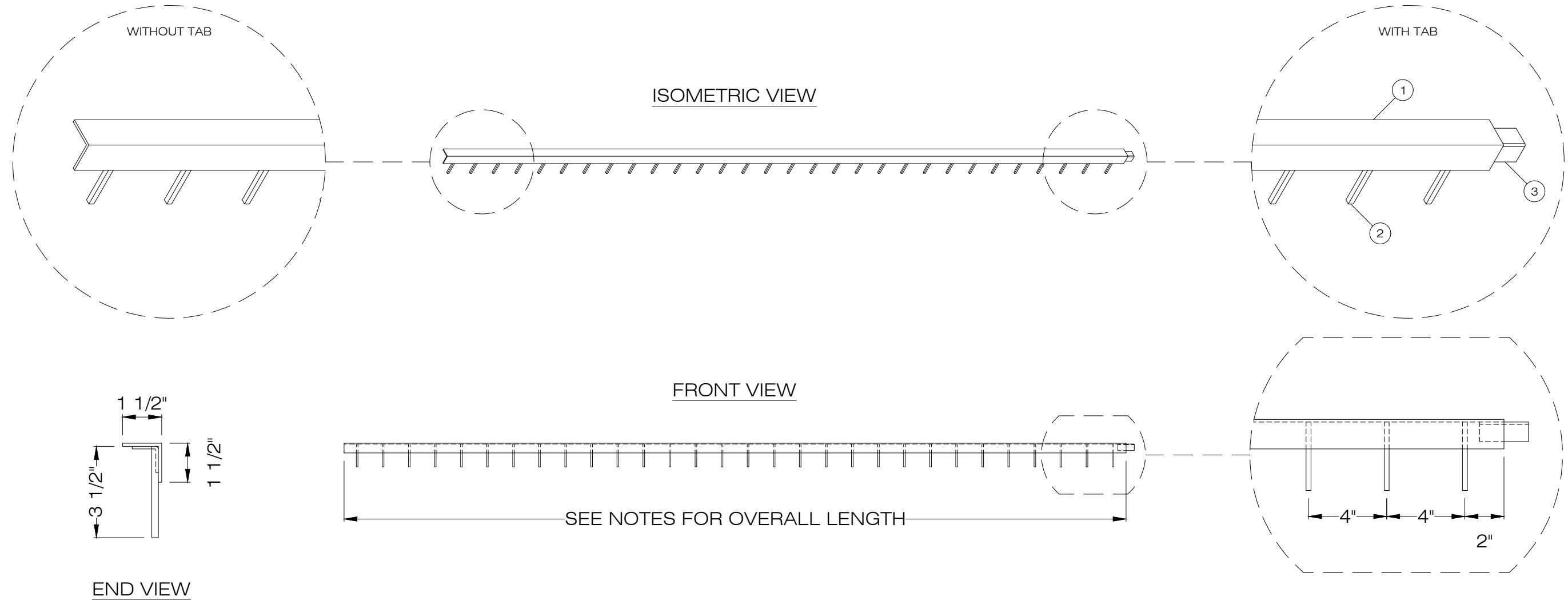
4204 - 46 Avenue, PO Box 1058
Stettler, AB T0C 2L0
P - 403.742.1300 | F - 403.742.1308
E - info@mmbi.ca | W - www.mmbi.ca

PROJECT: 5486	CLIENT: ASPIRE ENERGY RESOURCES INC.
LOCATION: -	
DWG NO.: 21835-S	TITLE: 15' 0" x 46' 0" x 15' 3 3/8" SELF FRAME BUILDING GABLE STYLE - 4:12 PITCH TIE ROD EXTENSION
SHEET NO.: 6	SCALE: NTS

STANDARD ICE RAKE
FOR SELF FRAME BUILDING

BILL OF MATERIALS				
ITEM	QTY	DESCRIPTION	LENGTH	MATERIAL
1	1	ANGLE - 1 1/2" x 1 1/2" x 1/8"	SEE BELOW	SA-36/44W
2	LOT	SQUARE BAR - 1/4" x 1/4"	3 1/2"	SA-36/44W
3	1	FORMED PLATE TAB - L 1" x 1" - 3/16" THICK	2 1/2"	SA-36/44W

COLOUR: WARM GREY
 QUANTITY: 4 @ 120" WITH ONE TAB END
 1 @ 72" WITHOUT TABS



REV	DESCRIPTION	DRAWN BY	DATE
-	-	-	-
-	-	-	-
-	-	-	-
B	ISSUED FOR APPROVAL - ADDED TWO ROOF ACCESS HOLES	DF	2021.06.08
A	ISSUED FOR APPROVAL - SAME AS 19707-S AB1	FS	2021.06.02
REVISIONS			


 4204 - 46 Avenue, PO Box 1058
 Stettler, AB T0C 2L0
 P - 403.742.1300 | F - 403.742.1308
 E - info@mmbi.ca | W - www.mmbi.ca

PROJECT:	5486
LOCATION:	-
DWG NO.:	21835-S
SHEET NO.:	7
SCALE:	NTS

CLIENT:	ASPIRE ENERGY RESOURCES INC.
TITLE:	15' 0" x 46' 0" x 15' 3 3/8" SELF FRAME BUILDING GABLE STYLE - 4:12 PITCH STEEL ICE RAKE