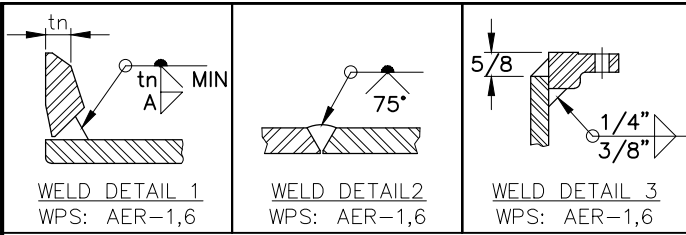


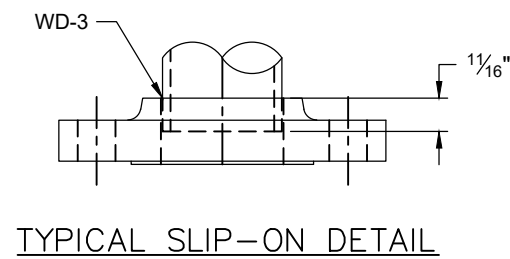
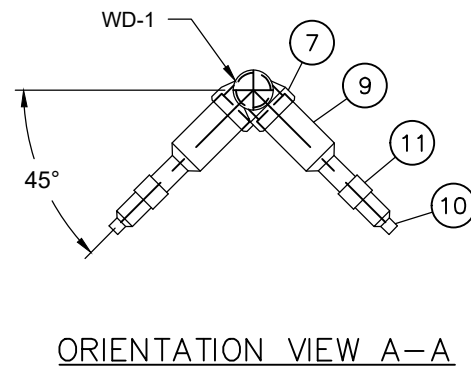
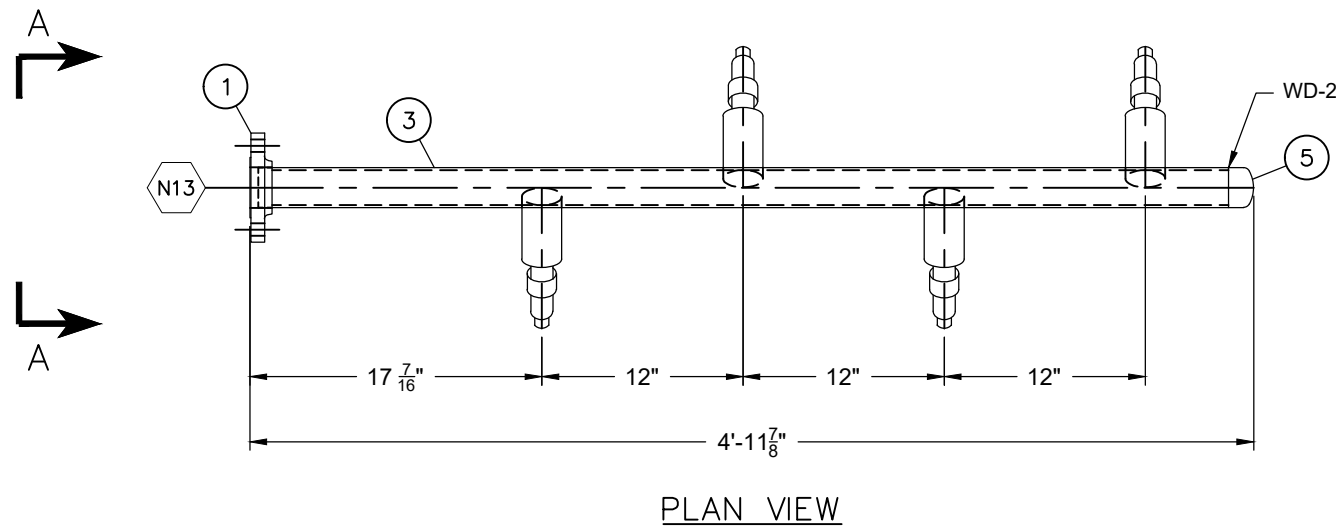
IT MAY NOT BE REPRODUCED WITHOUT THE PERMISSION OF ASPIRE ENERGY RESOURCES INC.

THIS DRAWING IS THE PROPERTY OF ASPIRE ENERGY RESOURCES INC.



BILL OF MATERIALS

TAG	QTY.	DESCRIPTION	MATERIAL	HEAT NUMBERS
1	1	2" 300# ANSI RFSO FLANGE	SA-105-N	
2				
3	1	2" SCH STD SMLS PIPE x 4'-9 7/8" LG.	SA-106-B	
4				
5	1	2" SCH STD WELD CAP	SA-234-WPB	
6				
7	4	2" 3000# TOL, 4" RUN	SA-105-N	
8				
9	4	2" x 1" 3000# SWAGE NIPPLE TOE x SW	SA-105-N	
10	4	1" x 1/2" 3000# SWAGE NIPPLE SW x POE	SA-105-N	
11	4	1" 3000# HALF COUPLING SW	SA-105-N	
12				
13				
14				
15				



JOB NO. 5486

NO.	DATE	REVISION	BY	APP
A	21-02-09	ISSUED FOR APPROVAL	MC	



ASPIRE ENERGY RESOURCES INC.

22 MCKENZIE DR., RED DEER COUNTY, AB T4S 2H4
OFFICE: 403-314-5422 FAX: 403-314-1823

CLIENT:	KELT EXPLORATION LNG		
DATE:	21-02-09	SEPARATOR PACKAGE SPRAY BAR DETAILS	
JOB NO.:	5486		
CUST NO.:			
SCALE:	NTS		
DRAWN BY:	MC		
CHECKED BY:		DWG NO.:	5486-07
APP BY:		REV.:	A