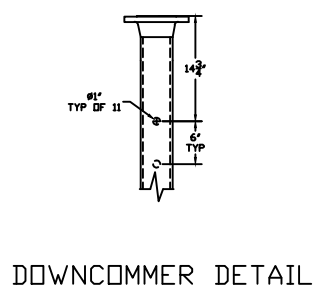
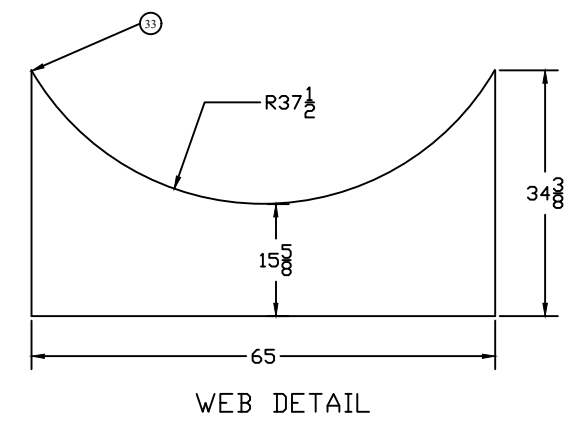
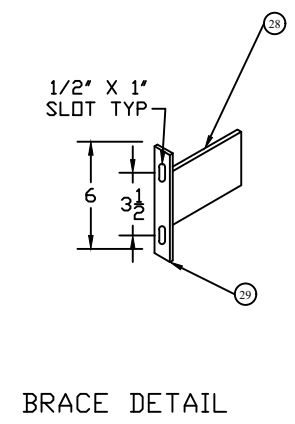
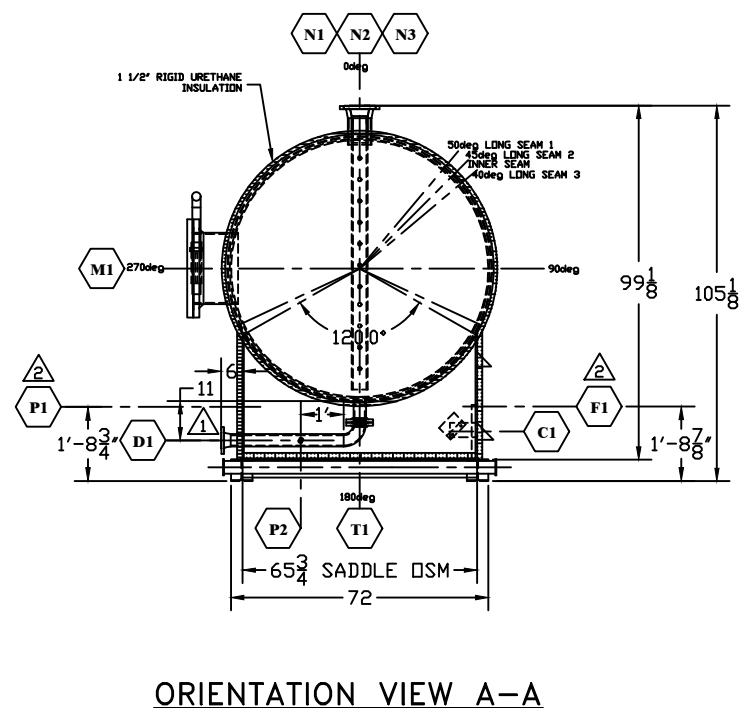
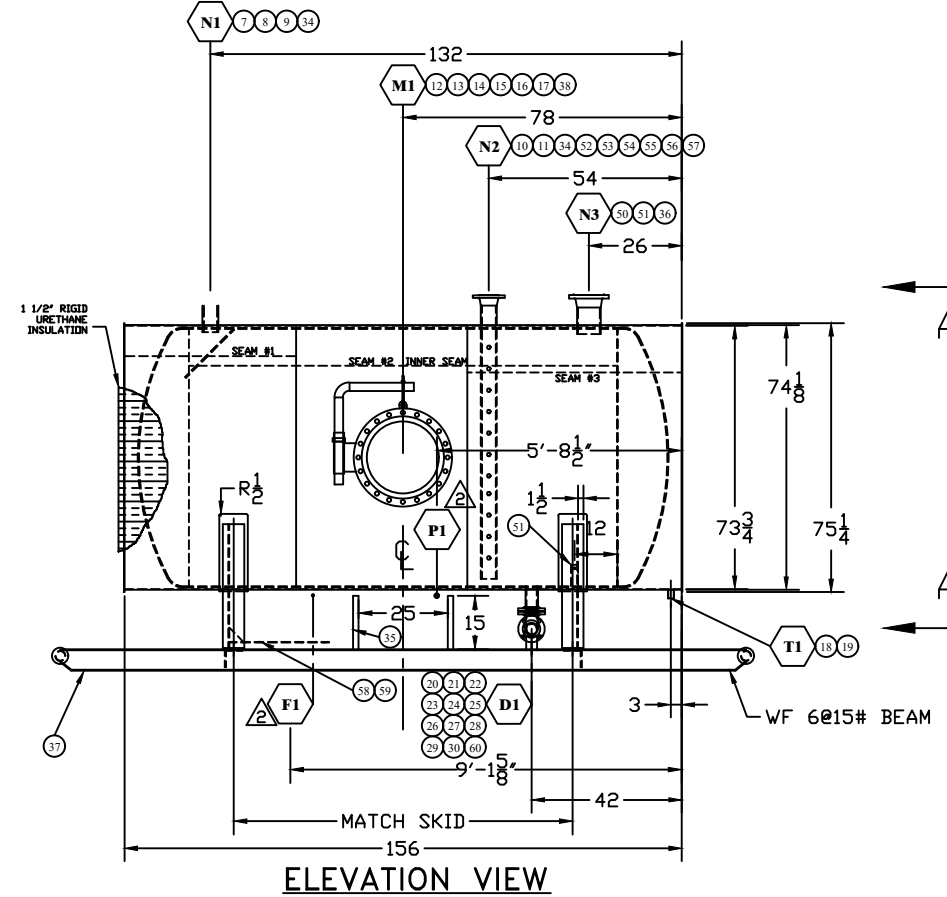


NOZZLE SCHEDULE

ITEM	REQ'D	PART	DESCRIPTION	TYPE	ITEM	REQ'D	PART	DESCRIPTION	TYPE
N1	1	INLET	4" SCH XH INLET CONNECTION C/W DEFLECTOR	RFWN 150#	1	1	SHELL	3/8"THK X 120" WIDE INTERNAL SHELL ROLLED TO 72"ID X 228 1/2" LONG	SA-516-70N 2900#
N2	1	GAUGE	4" SCH XH LEVEL GAUGE CONNECTION	RFWN 150#	2	2	HEAD	3/8"THK X 72"ID FLANGED AND DISHED HEAD	SA-516-70N 1191#
N3	1	OUTLET	6" SCH XH OUTLET CONNECTION	RFWN 150#	3	2	SHELL	3/16"THK X 48" WIDE EXTERNAL SHELL ROLLED TO 73 3/4"ID X 232 7/8" LONG	SA-36 1234#
T1	1	TEST	1" NPT INTERSTITIAL TEST CONNECTION	CPLG 3000#	4	1	SHELL	3/16"THK X 60" WIDE EXTERNAL SHELL ROLLED TO 73 3/4"ID X 232 7/8" LONG	SA-36 926#
M1	1	MANWAY	20" SCH STD MANWAY C/V BLIND AND DAVIT	RFSO 150#	5	1	HEAD	3/16"THK EXTERNAL HEAD X 75 1/4" DIAMETER	SA-36 491#
D1	1	DRAIN	3" SCH XH DRAIN CONNECTION	RFWN 150#	7	1	N1	3/8"THK DEFLECTOR PLATE	SA-36 6#
C1	1	HEATER	CATADYNE HEATER CONNECTION	-	8	1	N1	4" SCH XH PIPE X 7 1/2" LONG	SA-106-B 12#
F1	1	FUELGAS	1/4" NPT FUEL GAS INLET CONNECTION	-	9	1	N1	4" 150# SCH XH RFWN FLANGE	SA-105-N 12#
P1	1	PUMPIN	1" NPT PUMP OUTLET CONNECTION	-	10	1	N2	4" 150# SCH XH RFWN FLANGE	SA-105-N 16#
P2	1	PUMPOUT	1" NPT PUMP INLET CONNECTION	-	11	1	N2	4" SCH XH PIPE X 76 5/8" LONG C/W HOLES (SEE DETAIL)	SA-106-B 96#

BILL OF MATERIALS

ITEM	REQ'D	PART	DESCRIPTION	MATERIAL	WEIGHT
1	1	SHELL	3/8"THK X 120" WIDE INTERNAL SHELL ROLLED TO 72"ID X 228 1/2" LONG	SA-516-70N	2900#
2	2	HEAD	3/8"THK X 72"ID FLANGED AND DISHED HEAD	SA-516-70N	1191#
3	2	SHELL	3/16"THK X 48" WIDE EXTERNAL SHELL ROLLED TO 73 3/4"ID X 232 7/8" LONG	SA-36	1234#
4	1	SHELL	3/16"THK X 60" WIDE EXTERNAL SHELL ROLLED TO 73 3/4"ID X 232 7/8" LONG	SA-36	926#
5	1	HEAD	3/16"THK EXTERNAL HEAD X 75 1/4" DIAMETER	SA-36	491#
7	1	N1	3/8"THK DEFLECTOR PLATE	SA-36	6#
8	1	N1	4" SCH XH PIPE X 7 1/2" LONG	SA-106-B	12#
9	1	N1	4" 150# SCH XH RFWN FLANGE	SA-105-N	12#
10	1	N2	4" 150# SCH XH RFWN FLANGE	SA-105-N	16#
11	1	N2	4" SCH XH PIPE X 76 5/8" LONG C/W HOLES (SEE DETAIL)	SA-106-B	96#
12	1	M1	20" 150# RFSO FLANGE	SA-105-N	136#
13	1	M1	20" 150# RF BLIND	SA-105-N	269#
14	1	M1	20" 150# FLEXITALLIC GASKET	304SS	-
15	20	M1	1 1/8" X 6" STUDS	B7M	-
16	40	M1	1 1/8" NUTS	2HM	-
17	1	M1	20" SCH STD PIPE X 12 1/2" LONG	SA-106-B	82#
18	1	T1	1" 3000# FULL COUPLING	SA-105-N	-
19	1	T1	1" THREADED PLUG	-	-
20	1	D1	3" 150# SCH XH RFWN FLANGE	SA-105-N	12#
21	1	D1	3" SCH XH LR 90DEG WELD ELBOW	VPB-A234	6#
22	1	D1	3" SCH XH PIPE X 6 5/8" LONG	SA-106-B	5#
23	1	D1	3" SCH XH PIPE X 31 5/8" LONG	SA-106-B	27#
24	1	D1	3" 150# FLEXITALLIC GASKET	304SS	-
25	2	D1	3" 150# RFSO FLANGE	SA-105-N	-
26	4	D1	5/8" X 3 1/2" STUDS	B7M	-
27	8	D1	5/8" NUTS	2HM	-
28	1	D1	3" X 1/4" FLAT BAR X 4" LONG	SA-36	-
29	1	D1	1 1/2" X 3/16" FLAT BAR X 6" LONG C/W SLOTS TO MATCH U-BOLT	SA-36	-
30	1	D1	3" U-BOLT	-	-
31	2	SADDLE	8" X 1/4" FLAT BAR X 80" LONG ROLLED TO 74 1/8"ID (SADDLE REPAD)	SA-36	148#
32	4	SADDLE	6" X 3/8" FLAT BAR X 34 5/8" LONG (SADDLE RIBS)	SA-36	90#
33	2	SADDLE	1/4"THK WEB PLATE 65" X 34 3/8" (SEE DETAIL)	SA-36	326#
34	2	PROTECT	4" 150# FLANGE PROTECTOR	PDLY	-
35	1	PROTECT	3" 150# FLANGE PROTECTOR	PDLY	-
36	1	PROTECT	8" 150# FLANGE PROTECTOR	PDLY	-
37	1	SKID	6FT X 16FT SKID	-	785#
38	1	DAVIT	20" STANDARD DAVIT ARM (SEE DRAWING 20 DAVIT)	-	37#
39	1	VENT	HOUSE DRYER VENT FOR AIR OUTLET MOUNTED OPPOSITE SIDE OF HEATER NEAR TOP	-	-
40	2	HEATER	1 1/2" X 1 1/2" X 0.100" WALL HSS X 15" LONG	300V	-
41	1	HEATER	CATADYNE HEATER ASSEMBLY (6" X 24")	-	-
42	2	INSUL	1 1/2"X45"CDVX12"-6"LONG SHT RIGID URETHANE,CORR&STUCCO EMBOSS ALUM ONE SIDE	-	-
43	6	INSUL	1 1/2"X13"-6"LONG SHT RIGID URETHANE,CORR&STUCCO EMBOSS ALUM ONE SIDE (CURFS)	-	-
44	3	INSUL	1 1/2"X45"CDVX8"-5"LONG SHT RIGID URETHANE,CORR&STUCCO EMBOSS ALUM BOTH SIDES	-	-
45	60'	INSUL	SEA "L" FLASHING	-	-
46	8'	INSUL	SEA "Z"	-	-
47	400	INSUL	SCREWS-#8-1/2" STAINLESS STEEL	-	-
48	3	INSUL	ALUMINUM SILICONE CAULK	-	-
49	1	ANGLE	2" X 1/4" STAINLESS STEEL FLAT BAR X 6" LONG C/W HOLE	304SS	-
50	1	N3	6" SCH XH PIPE X 7" LONG	SA-106-B	12#
51	1	N3	6" 150# SCH XH RFWN FLANGE	SA-105-N	47#
52	1	N2	1322 VISI LEVEL GAUGE	-	-
53	2	N2	PROXIMITY SWITCH	-	-
54	1	N2	4" 150# RFBLIND TAPPED TO 1 1/2"	-	-
55	1	N2	4" 150# FLEXITALLIC GASKET	-	-
56	8	N2	5/8" X 3 1/2" STUDS	B7M	-
57	16	N2	5/8" NUTS	2HM	-
58	1	PUMP	1/4" X 12" PLATE X 18" LONG	-	-
59	1	PUMP	1/4" X 4" FLAT BAR X 4" LONG	-	-
60	1	D1	1" X 3" 3000# TDL	-	-



NOTES:

- SHELL AND HEAD MATERIAL: SA-516-70N
- ALL FLANGE MATERIAL: SA-105-N
- ALL PIPE MATERIAL: SA-106-B
- ALL BOLTING MATERIAL: B7M-2HM
- ALL PLATE MATERIAL: SA-36
- TANK WEIGHT: 9000 LB.
- INTERNAL SANDBLAST TO SSPC-SP-5 (WHITE).
- INTERNAL COATING: 10-18 MILLS DEVOE 253.
- EXTERNAL SANDBLAST AND COAT WITH ZINC PRIMER.
- 1 1/2" RIGID URETHANE INSULATION WITH ALUMINUM CLADDING.
- HYDROTEST TO 75 PSI.
- ALL OPEN PIPE ENDS MUST BE ROUNDED TO 1/8" RADIUS.
- DRAIN OPENING D1 SHALL BE FLUSH WITH THE INSIDE OF THE VESSEL.
- ALL SURFACES NOT COVERED BY INSULATION WILL BE PAINTED WITH INDUSTRIAL ENAMEL.
- 2' X 2' DOOR IN SIDE INSULATION FOR PUMP ACCESS 6' FROM SADDLE

NO.	DATE	REVISION	BY	CHK'D
0	01/10/00	STANDARD DRAWING	WEK	
1	03/03/00	ADDITION OF PUMP MOUNT AND TDL	WEK	
2	03/08/00	ADDED FUEL GAS CONNECTION AND PUMP OUTLET CONNECTION	JLM	

BILTON
 BOX 6106
 3704 98 AVE.
 INDUSTRIAL AVE
 403-227-7799
 1-888-227-4923
 FAX-227-7796

-FABRICATION -PULSE MIG & TIG
 -DESIGN -SUB ARC
 -INSTALLATIONS -PORTABLE
 -REPAIR WORK -MACHINING

Welding & Manufacturing Ltd.

CUSTOMER: CONCISE DESIGN	
TITLE/ASSY: 60 BARREL, ABOVE GROUND, DOUBLE WALL KNOCK OUT TANK	
LOCATION/PART: 72" I.D. X 120" S/S 50 PSI DESIGN, 15 PSI MAWP (NON REGISTERED)	
DATE: 02/22/00	SCALE: NTS
DWG BY: WEK	CHK'D BY: []
ASS'Y JOB#: 910	PART#: []