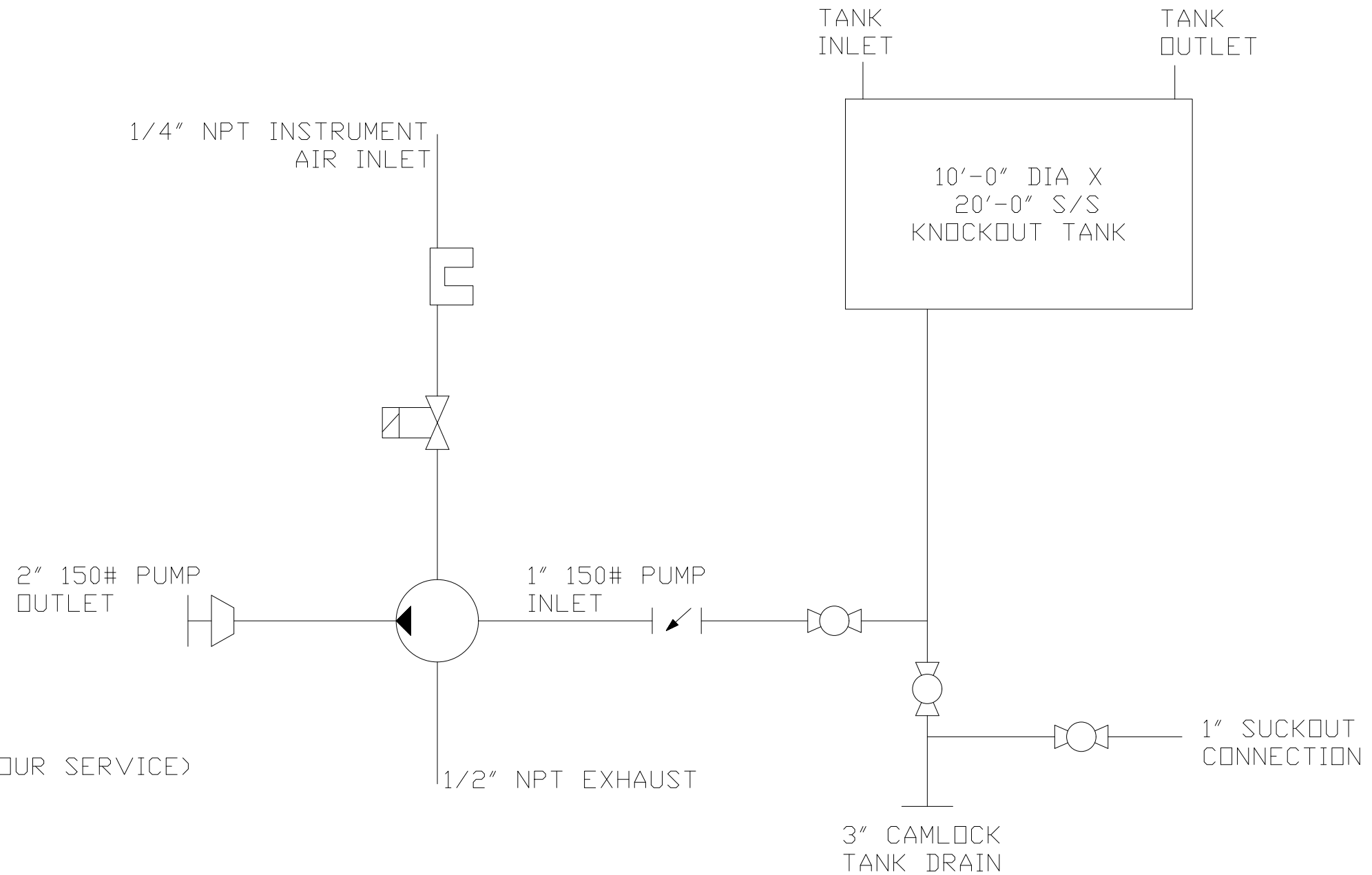


FILE PATH: CAD/TANKS/A200-299



LEGEND



PUMP, SINGLE
FIXED DISPLACEMENT
VERSA-MATIC E1 SERIES (SOUR SERVICE)



VALVE, SOLENOID
OPERATED
1/4" NPT 2WNC SS 150PSI
1/8" DRIFICE BUNA N NO OPERATOR



FILTER REGULATOR
LUBRICATOR
NORGREN, 12 SERIES



BALL VALVE



CHECK VALVE, SWING

REV. NO.	DATE	REVISION	BY	APPD
0	01/02/01	APPROVAL DRAWING	JMB	JLM
1	01/09/01	ISSUED FOR FABRICATION	JMB	JLM
2	02/14/01	FINAL DRAWING	JMB	
3				
4				
5				
6				
7				

BILTON
Welding & Manufacturing Ltd.

BOX 6106
3704 58 AVE.
INNISFAIL, AB
CANADA
403-227-7799
1-888-227-4923
FAX 227-7796

This drawing is property of BILTON WELDING & MANUFACTURING LTD. and is lent to the recipient for their confidential use only. In consideration of the loan of this drawing, the recipient promises and agrees that it shall not be used in any way detrimental to the interests of BILTON WELDING & MANUFACTURING LTD., that it shall be returned upon request, and that it shall not be reproduced, copied, lent, or otherwise disposed of, directly or indirectly, without the written consent of BILTON WELDING & MANUFACTURING LTD.

CONCISE DESIGN ENGINEERING	
10'-0" DIA X 20'-0" S/S ABOVE GROUND DOUBLE WALL KNOCKOUT P & ID	
DATE: 01/02/01	SHEET: 3 OF 3
SCALE: N.T.S.	JOB NO.: A222
DRAWN BY: JMB	SIZE: D
PURCHASE ORDER:	DRAWING NO.: A222-3
LOCATION: LADYFERN FACILITIES	REV.: 2
PART NO.:	