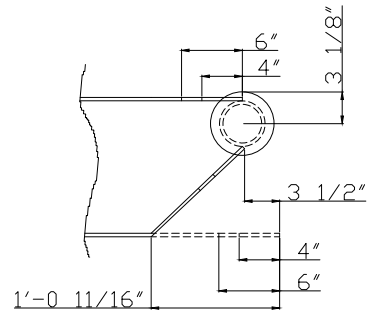
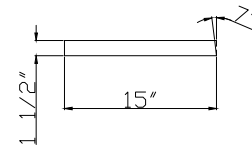


BILL OF MATERIALS

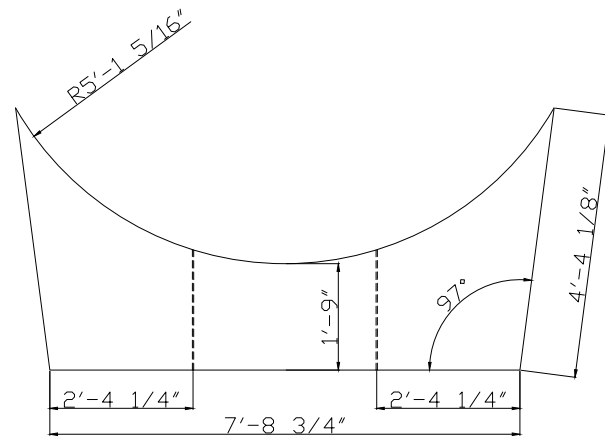
ITEM	REQ'D	PART	DESCRIPTION	MATERIAL	WEIGHT
1	2	RUNNER	14@22 WFB X 27'-6" LONG (ROUGH CUT 28'-1")	14@22	1210#
2	3	CROSSMEM	8@18 WFB X 7'-8 3/4"	8@18WFB	432#
3	2	PULL	4" XH PIPE X 8'-1 1/2" LONG	SA-106-B	20#
4	4	PULLCAP	1/4" THK X 6 1/2" PULLCAP	SA-36	10#
5	4	BRACE	1/4" THK X 4" FLATBAR X 1'-11/16" LONG	SA-36	25#
6	2	WEB	3/8" WEBPLATE (SEE DETAIL)	SA-36	1000#



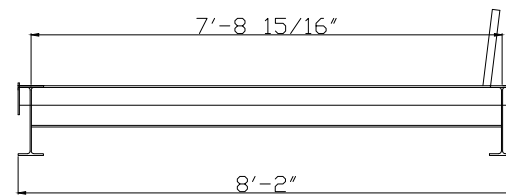
COPE DETAIL



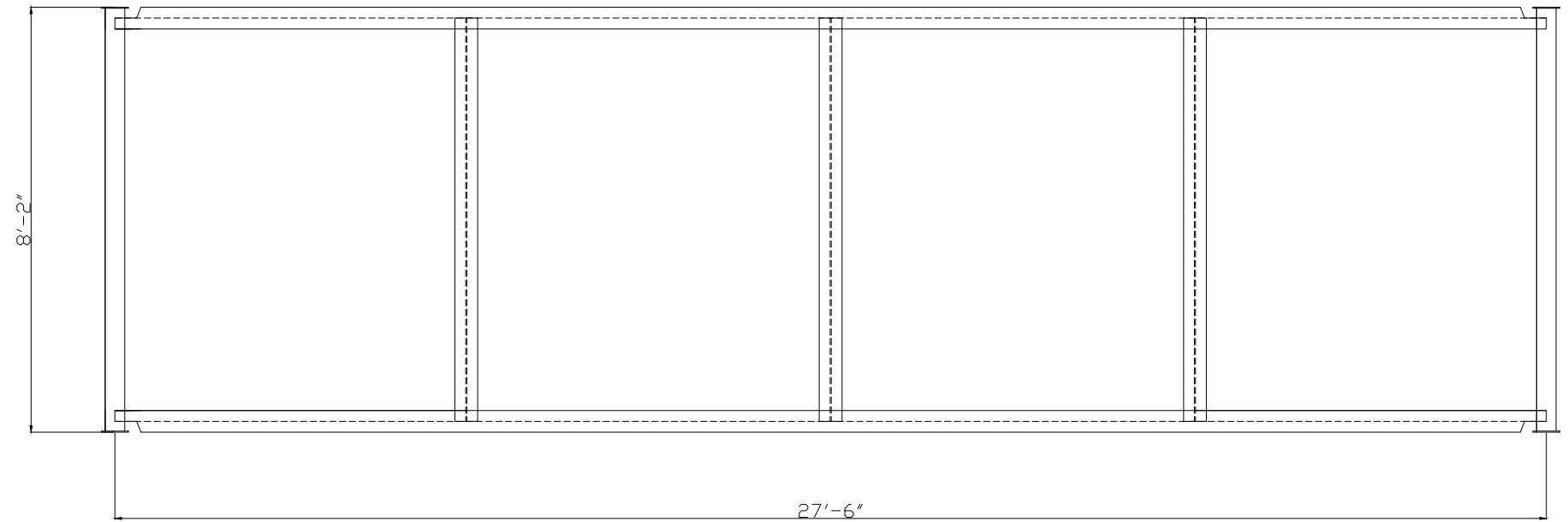
HEATER MOUNT DETAIL



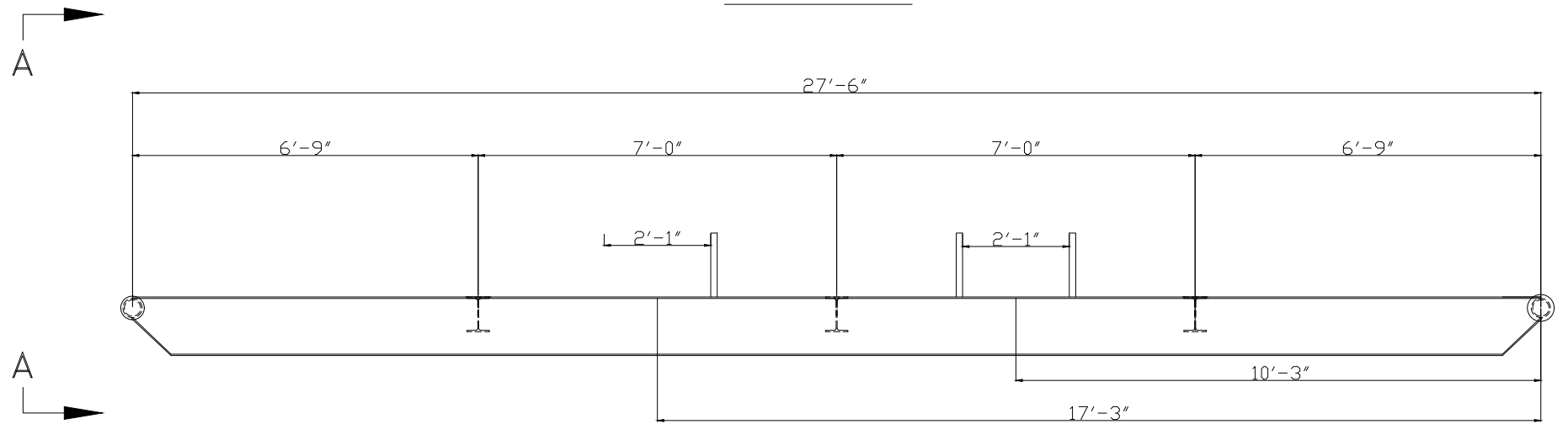
SADDLE DETAIL



END VIEW A-A



TOP VIEW



ELEVATION VIEW

GENERAL NOTES:

1. WEIGHT: 2700#
2. ALL WELDING ON SKID AND SADDLES SHALL BE AS PER CSA W47.1-92 USING GAS METAL ARC WELDING WITH ER480S-6 FILLER METAL

REV. NO.	DATE	REVISION	BY	APP'D
0	01/02/01	APPROVAL DRAWING	JMB	JLM
1	01/09/01	ISSUED FOR FABRICATION	JMB	JLM
2	02/14/01	FINAL DRAWING	JMB	JLM
3				
4				
5				
6				
7				

BILTON

Welding & Manufacturing Ltd.

BOX 6106
3704 58 AVE.
INNISFAIL, AB
CANADA
403-227-7799
1-888-227-4923
FAX 227-7796

CONCISE DESIGN ENGINEERING

10'-0" DIA X 20'-0" S/S
ABOVE GROUND DOUBLE WALL KNOCKOUT SKID DETAIL
DATE: 01/02/01
SCALE: N.T.S.
DRAWN BY: JMB
PURCHASE ORDER:
LOCATION: LADYFERN FACILITIES
PART NO.:
SHEET: 2 OF 3
JOB NO.:
A222
DRAWING NO.:
A222-2
SIZE: D
REV.: 2