

REFERENCE LINES:
ALL ORDINATE DIMENSIONS
ARE FROM THESE LINES

**ISSUED
FOR CONSTRUCTION**

By Blockler at 5:09:16 PM, 3/30/2017


PLAN
SCALE 3/4" = 1'-0"

* S.O. NO.	** SERIAL NO.
17-0028	17100
17-0031	17110
17-0032	17113

MARK	DESCRIPTION	SERVICE
A	1"-NPT BALL VALVE	REBOILER DRAIN
B	1 1/2"-3000# NPT	STORAGE DRAIN
C	1/2"-NPT BALL VALVE	REBOILER SKIMMER
D	2"-3000# FNPT	REBOILER FILL
E	1"-3000# FNPT	SEPARATOR DISTILLATE OUTLET
F	1 1/2"-NPT UNION	LEAN GLYCOL TO ABSORBER
G	1 1/2"-NPT UNION	RICH GLYCOL INLET
H	1"-NPT BPV	SEPARATOR BACK PRESSURE OUTLET
N	1/2"-3000# FNPT	FUEL GAS KO POT DRAIN
P	3"-150# RFWN	STILL COLUMN VAPOR OUTLET
R	1"-S/80 PIPE	SUPPLY GAS INLET
T	1"-NPT BALL VALVE	SEPARATOR DRAIN

WELD PROCEDURES			
WPS KWI-01	WPS KWI-09		
WPS KWI-02	WPS KWI-11		
WPS KWI-06			

REV.	DESCRIPTION	DATE	BY	CK
0	ISSUED FOR CONSTRUCTION	03/31/17	MCH	BEL



Setting the New STANDARD

1225 Britton Road Houston, TX. 77043
Office 713-468-9581 800-846-Wind (9463)
Fax: 713-468-2770
solutions@kwintl.com

DATE	DRAWN	CHECKED	APPROVED
03/24/2017	MCH	BEL	

CLIENT: CAPROCK

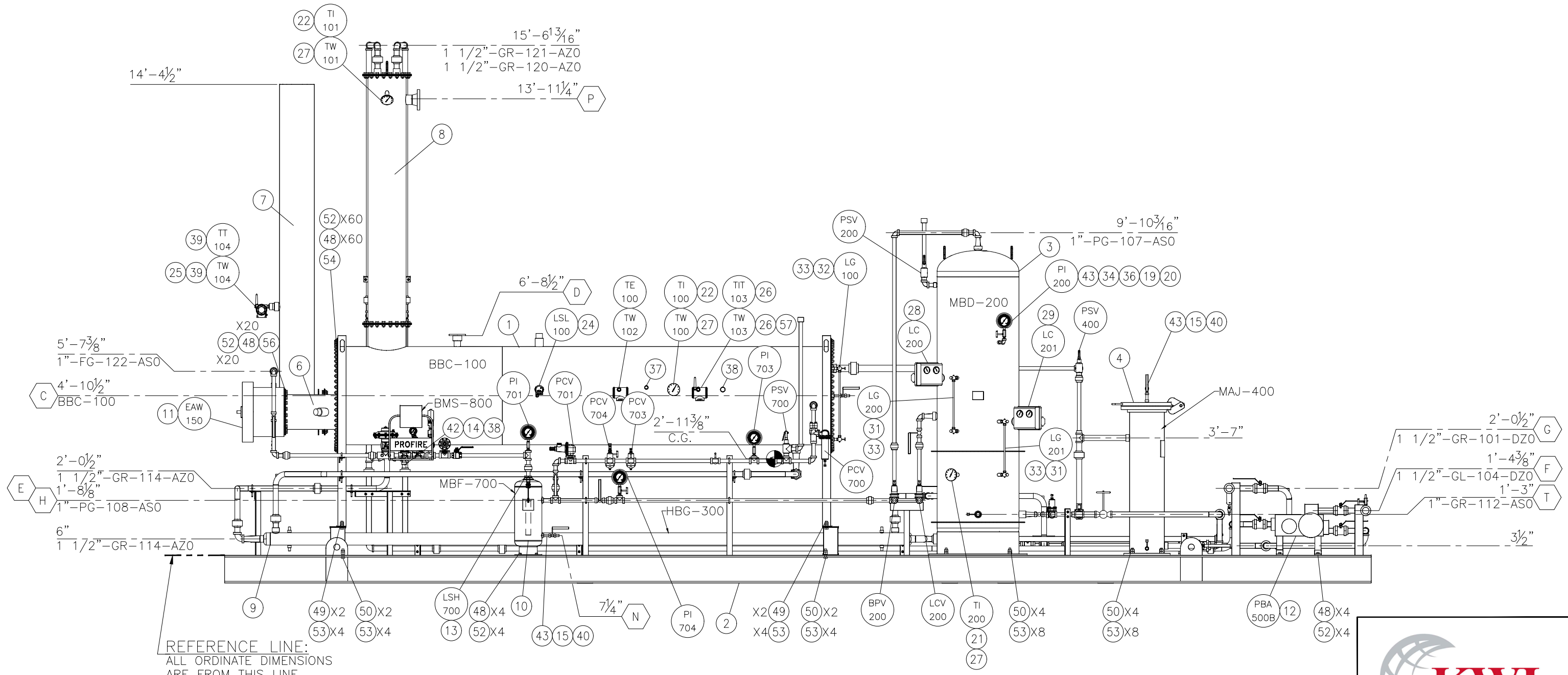
TITLE: GENERAL ARRANGEMENT
750M GLYCOL REGEN UNIT
W/ GLYCOL/GAS/DIST. SEPARATOR

SCALE: 3/4" = 1'-0" S.O.# * **

DRAWING NUMBER	SHEETS	REV
REGEN0116	SHT# 1 OF 5	0

- 1) RADIUS ALL SHARP CORNERS.
- 2) APPROX. WEIGHT: 18,500 LB'S.

THIS DRAWING AND ITS CONTENTS ARE THE PROPERTY OF KWI INTERNATIONAL AND SHALL NOT BE USED, REPRODUCED OR DISCLOSED EXCEPT IN ACCORDANCE WITH ITS WRITTEN PERMISSION.



ELEVATION
SCALE 3/4" = 1'-0"

**ISSUED
FOR CONSTRUCTION**

By Blockler at 5:09:18 PM, 3/30/2017

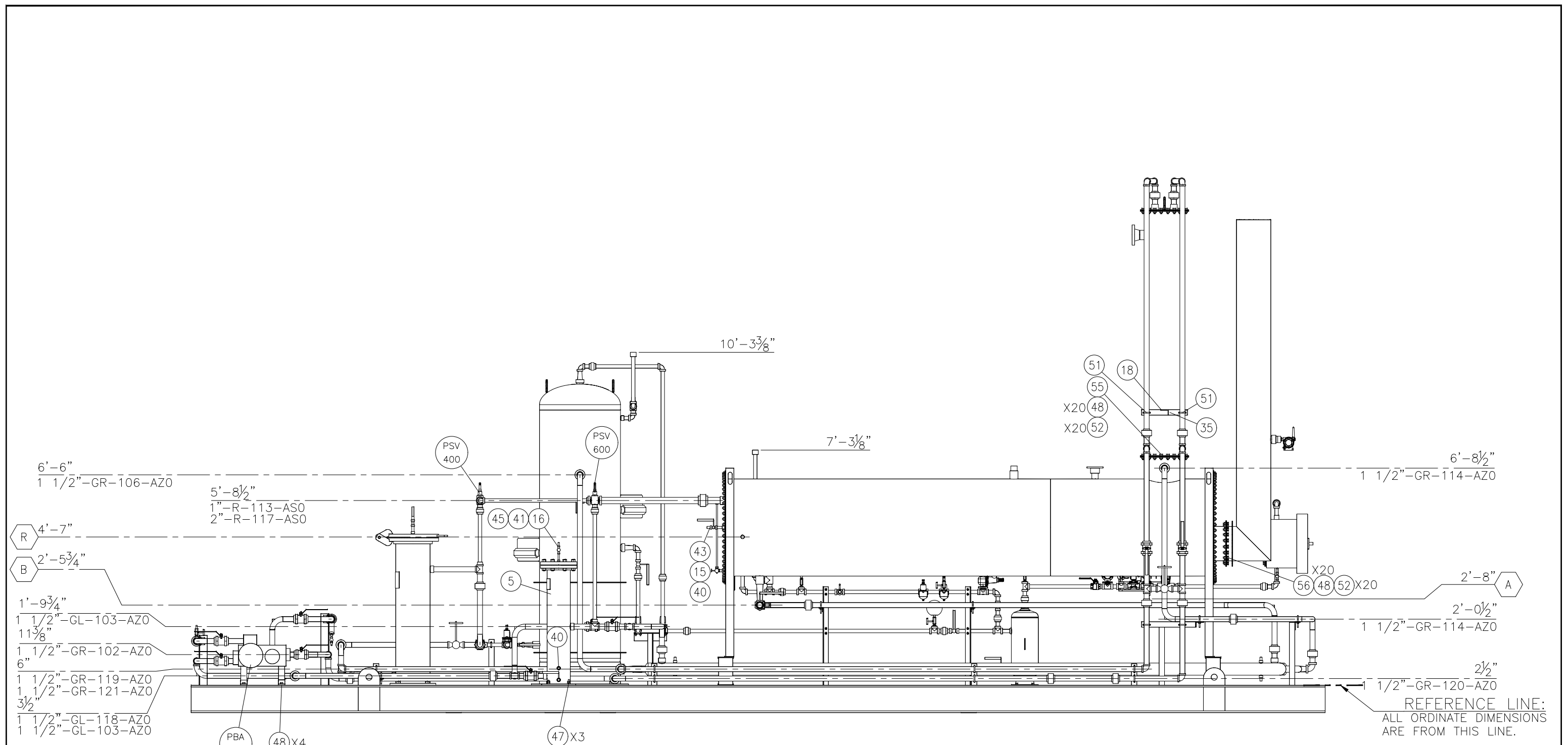
MARK	DESCRIPTION	SERVICE
A	1"-NPT BALL VALVE	REBOILER DRAIN
B	1 1/2"-3000# NPT	STORAGE DRAIN
C	1/2"-NPT BALL VALVE	REBOILER SKIMMER
D	2"-3000# FNPT	REBOILER FILL
E	1"-3000# FNPT	SEPARATOR DISTILLATE OUTLET
F	1 1/2"-NPT UNION	LEAN GLYCOL TO ABSORBER
G	1 1/2"-NPT UNION	RICH GLYCOL INLET
H	1"-NPT BPV	SEPARATOR BACK PRESSURE OUTLET
N	1/2"-3000# FNPT	FUEL GAS KO POT DRAIN
P	3"-150# RFWN	STILL COLUMN VAPOR OUTLET
R	1"-S/80 PIPE	SUPPLY GAS INLET
T	1"-NPT BALL VALVE	SEPARATOR DRAIN

* S.O. NO.	** SERIAL NO.
17-0028	17100
17-0031	17110
17-0032	17113

1225 Brittmore Road Houston, TX 77043
Office 713-468-9581 800-846-Wind (9463)
Fax: 713-468-2770
solutions@kwintl.com

DATE	DRAWN	CHECKED	APPROVED
03/24/2017	MCH	BEL	
CLIENT CAPROCK			
TITLE GENERAL ARRANGEMENT 750M GLYCOL REGEN UNIT W/ GLYCOL/GAS/DIST. SEPARATOR			
SCALE: 3/4" = 1'-0"		S.O.# * **	
0 ISSUED FOR CONSTRUCTION	03/31/17	MCH	BEL
REV.	DESCRIPTION	DATE	BY CK
DRAWING NUMBER REGEN0116		SHEETS SHT # 2 OF 5	REV 0

THIS DRAWING AND ITS CONTENTS ARE THE PROPERTY OF KWI INTERNATIONAL AND SHALL NOT BE USED, REPRODUCED OR DISCLOSED EXCEPT IN ACCORDANCE WITH ITS WRITTEN PERMISSION.



REFERENCE LINE:
ALL ORDINATE DIMENSIONS
ARE FROM THIS LINE.

ELEVATION
SCALE 3/4" = 1'-0"

CUSTOMER CONNECTION SCHEDULE		
MARK	DESCRIPTION	SERVICE
A	1"-NPT BALL VALVE	REBOILER DRAIN
B	1 1/2"-3000# NPT	STORAGE DRAIN
C	1/2"-NPT BALL VALVE	REBOILER SKIMMER
D	2"-3000# FNPT	REBOILER FILL
E	1"-3000# FNPT	SEPARATOR DISTILLATE OUTLET
F	1 1/2"-NPT UNION	LEAN GLYCOL TO ABSORBER
G	1 1/2"-NPT UNION	RICH GLYCOL INLET
H	1"-NPT BPV	SEPARATOR BACK PRESSURE OUTLET
N	1/2"-3000# FNPT	FUEL GAS KO POT DRAIN
P	3"-150# RFWN	STILL COLUMN VAPOR OUTLET
R	1"-S/80 PIPE	SUPPLY GAS INLET
T	1"-NPT BALL VALVE	SEPARATOR DRAIN

**ISSUED
FOR CONSTRUCTION**
By Blockler at 5:09:19 PM, 3/30/2017

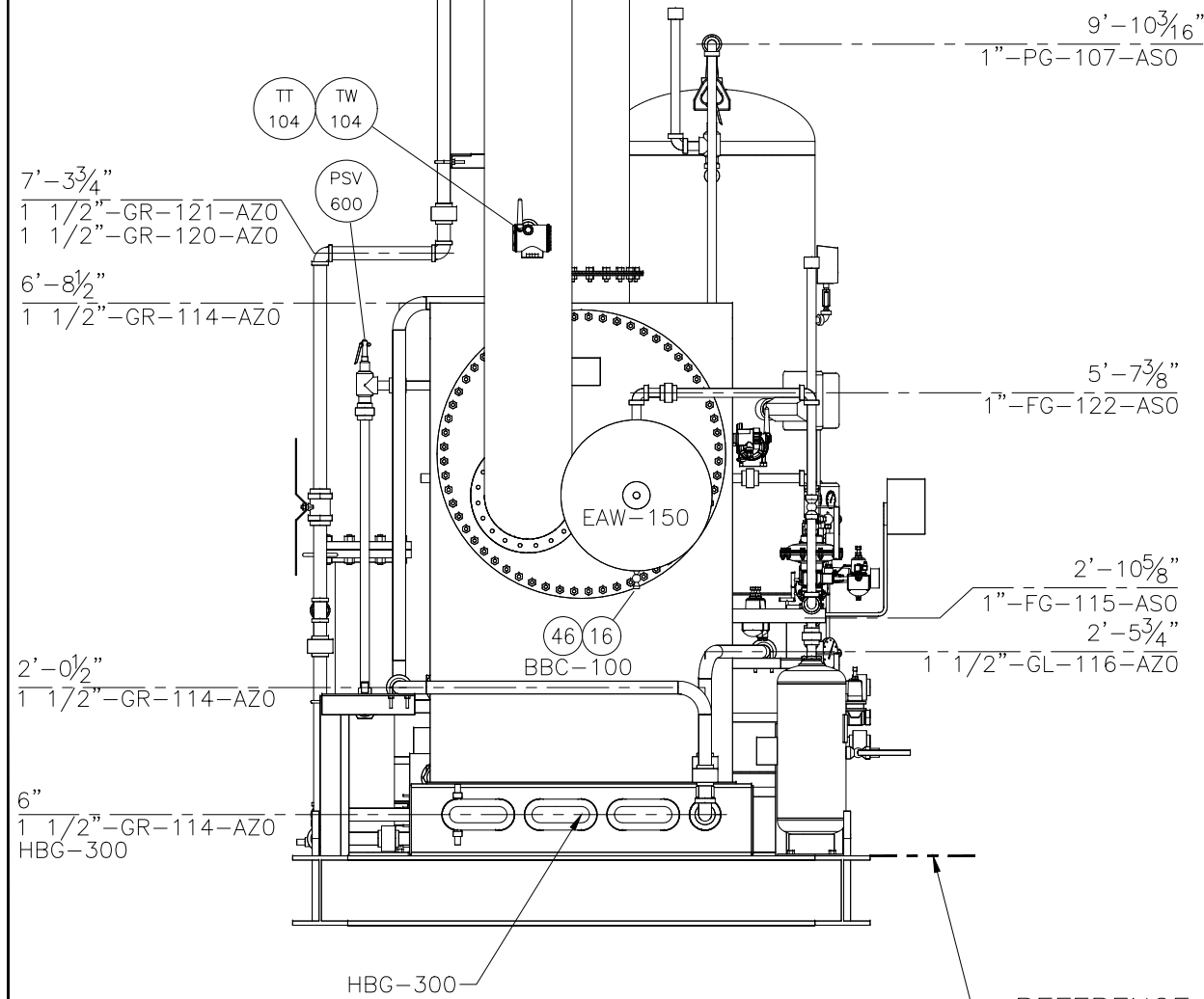
* S.O. NO.	** SERIAL NO.
17-0028	17100
17-0031	17110
17-0032	17113

1225 Brittmore Road Houston, TX. 77043
Office 713-468-9581 800-846-Wind (9463)
Fax: 713-468-2770
solutions@kwintl.com

DATE	DRAWN	CHECKED	APPROVED
03/24/2017	MCH	BEL	
CLIENT CAPROCK			
TITLE GENERAL ARRANGEMENT 750M GLYCOL REGEN UNIT W/ GLYCOL/GAS/DIST. SEPARATOR			
SCALE: 3/4" = 1'-0"		S.O.# * **	
0 ISSUED FOR CONSTRUCTION	03/31/17	MCH	BEL
REV.	DESCRIPTION	DATE	BY
DRAWING NUMBER REGEN0116		SHEETS SHT# 3 OF 5	
		REV 0	

THIS DRAWING AND ITS CONTENTS ARE THE PROPERTY OF KWI INTERNATIONAL AND SHALL NOT BE USED, REPRODUCED OR DISCLOSED EXCEPT IN ACCORDANCE WITH ITS WRITTEN PERMISSION.

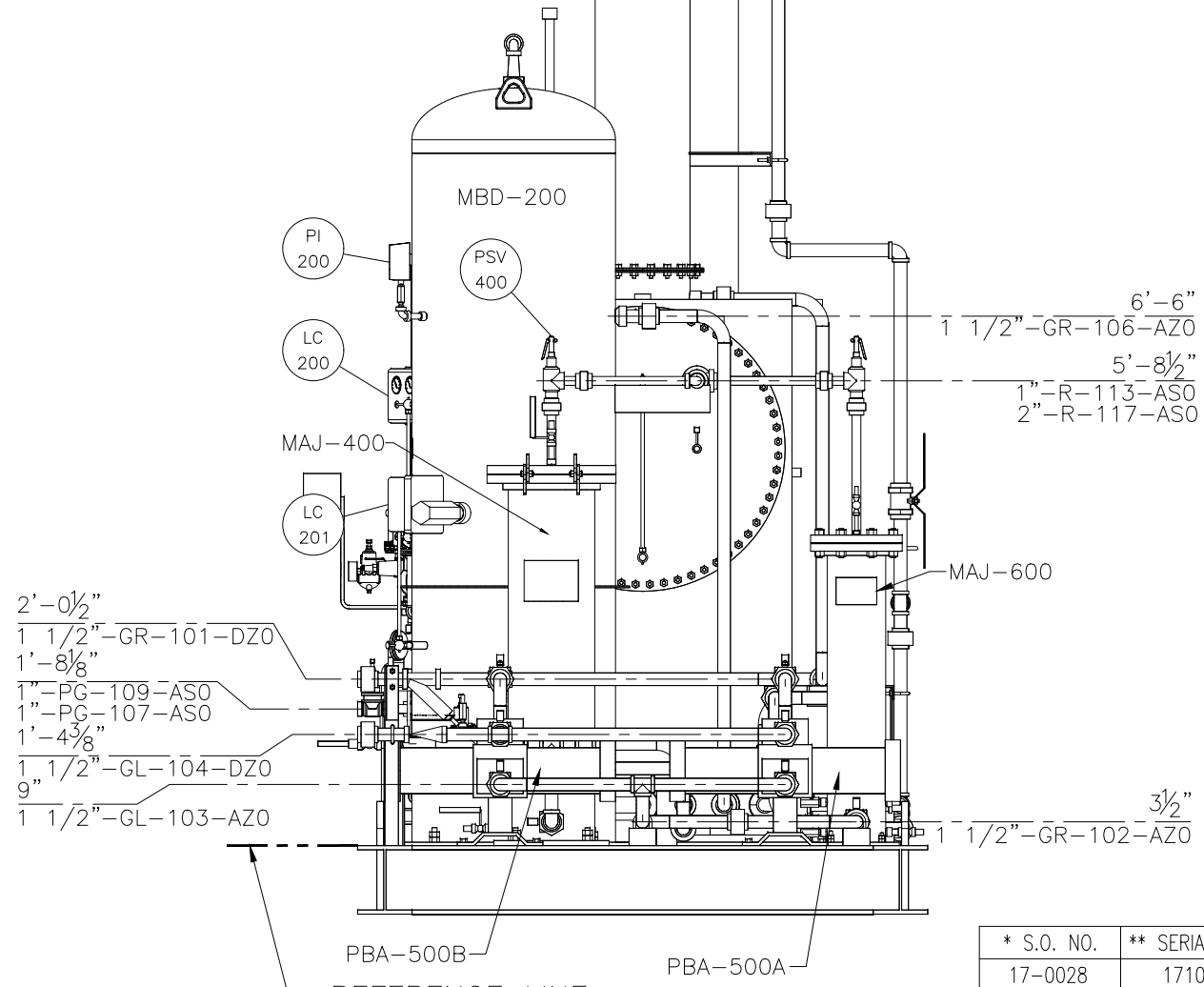
15'-6¹³/₁₆"
 1 1/2"-GR-120-AZO
 1 1/2"-GR-121-AZO



LEFT END VIEW
 SCALE 1" = 1'-0"

REFERENCE LINE:
 ALL ORDINATE DIMENSIONS
 ARE FROM THIS LINE.

**ISSUED
 FOR CONSTRUCTION**
 By Blockler at 5:09:21 PM, 3/30/2017



RIGHT END VIEW
 SCALE 1" = 1'-0"

REFERENCE LINE:
 ALL ORDINATE DIMENSIONS
 ARE FROM THIS LINE.

* S.O. NO.	** SERIAL NO.
17-0028	17100
17-0031	17110
17-0032	17113

KWI
 Setting the New STANDARD
 1225 Brittmore Road Houston, TX 77043
 Office 713-468-9581 800-846-Wind (9463)
 Fax: 713-468-2770
 solutions@kwintl.com

DATE	DRAWN	CHECKED	APPROVED
03/24/2017	MCH	BEL	
CLIENT			
CAPROCK			
TITLE			
GENERAL ARRANGEMENT 750M GLYCOL REGEN UNIT W/ GLYCOL/GAS/DIST. SEPARATOR			
SCALE: 1" = 1'-0"		S.O.# * **	
0	ISSUED FOR CONSTRUCTION	03/31/17	MCH BEL
REV.	DESCRIPTION	DATE	BY CK
DRAWING NUMBER		SHEETS	
REGEN0116		SHT# 4 OF 5	
		REV	
		0	

THIS DRAWING AND ITS CONTENTS ARE THE PROPERTY OF KWI INTERNATIONAL AND SHALL NOT BE USED, REPRODUCED OR DISCLOSED EXCEPT IN ACCORDANCE WITH ITS WRITTEN PERMISSION.

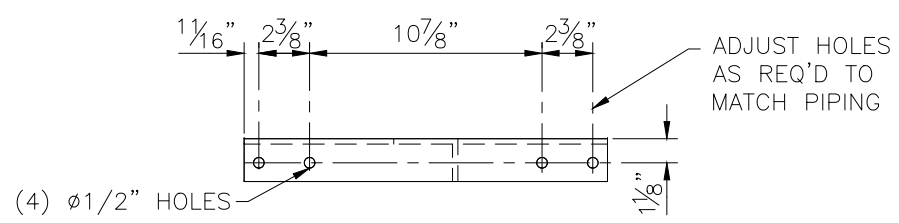
BILL OF MATERIAL				
ITEM	QTY	TAG	PART NO	DESCRIPTION
1	1	BBC-100	REBLR0036	REBOILER,750M,BTU/HR,036,X,180,E/E,ATMOS,TT,AND,LS,NOZZLES,MODIFIED
2	1		SKIDS0140	SKID,REGEN,0.750M,HR,W,10,39.0#,084,X,420,CUSTOM
3	1	MBD-200	SEPGS0003	SEPARATOR,PUMP,GAS,VERTICAL,3PHASE,030,X,090,WP,0125,I/O,01.50,NPT,3000,CA,0,KWI,STANDARD
4	1	MAJ-400	FILTR0082	FILTER,CHARCOAL,012,X,060,WP,0125,I/O,01.50,NPT,CA,0,KWI,STANDARD
5	1	MAJ-600	FILTR0083	FILTER,SOCK,008,X,044,0125,I/O,01.50,NPT,CA,0,KWI,STANDARD
6	1		FRTUB0006	FIRETUBE,REGEN,750M,BTU/HR,012,WT,0.250,ERW,ATMOS
7	1		STACK0006	STACK,REGEN,750M,BTU/HR,012,X,120,FLG,X,PE
8	1		STILL0006	STILL,COLUMN,REGEN,750M,BTU/HR,014,X,092,FLG,X,PE
9	1	HBG-300	EXGLY0006	EXCH,GLYCOL,REGEN,750M,BTU/HR,044,X,240,07,PASS
10	1	MBF-700	SCRUB0001	SCRUBBER,FUEL,GAS,10.000,MAWP,0250#,PRT#,MTE 301301,MANCHESTER,KWI,STD
11	1	EAW-150	ARRES0009	ARRESTOR,FLAME,SB,24,12,W/3.00,MIXER,PILOT,GASKET,20,BOLT,HOLES,0.5625,DIA,ON,14.75,BC,750,REGEN,MODEL,SB24-12,FLAMECO
12	2	PBA-500B PBA-500A	PUMP0035	PUMP,GLYCOL,MOD,45020PV,166-450,GPM,400-2000,PSIG,200F,PN,GAJ,KIM RAY
13	1	LSH-700	CNVLV0140	VALVE,FUEL,GAS,SHUT,OFF,FGSV212FS,NPT,2.00,W,1.00,NPT,CENTER,12.0,OAL,WELLMARK,PN,30160
14	1	A2S	BLVLV3444	VALVE,BALL,NPT,2PC,FP,2000,1.000,CS,BODY,316,SS,SEAT/STEM,RTFE,SEAT,PTFE,SEAL,LOCKING,HANDLE,MODEL,9100-122NBN,AOP,NACE
15	5	A2S	BLVLV3441	VALVE,BALL,NPT,2PC,FP,2000,0.500,CS,BODY,X,SS,BALL/STEM,PTFE,SEALS,LEVER,OPER,LOCKING,HANDLE,MOD,AOP9050-122NBN,AOP,NACE
16	2	A2S	BLVLV3453	VALVE,BALL,NPT,2PC,FP,2000,0.250,CS,BODY,SS,BALL/STEM,PTFE,SEALS,LEVER,OPER,LOCKING,HANDLE,PN,9025-122NBN,NACE,COMPLIANT
17	2	D6S	NEDVL0019	VALVE,NEEDLE,NPT,6000,0.500,M,X,F,316SS,BODY,316SS,STEM,VITON,ORING,TFE,PACKING,TBAR,HANDLE,MOD,SPV8M8FV,CHEMOIL,NACE,COMPLIANT
18	1		STLAN0005	STEEL,ANGLE,0.250,X,3.00,X,2.00,SA,36 1'-0 1/8"
19	1	D6S	NEDVL0008	VALVE,NEEDLE,NPT,6000,0.250,M,X,F,MINI,CS,BODY,316SS,STEM,VITON,PACKING/SEALS,TBAR,HANDLE,MOD,MCH4M4F,CHEMOIL,MR0175,NACE,COMPLIANT
20	1	PI-200	GAUGE0057	GAUGE,PRESS,LIQ,FILLED,NPT,0.250,DIAL,2.50,LOWER,MOUNT,SS,X,BR,0160#
21	1	TI-200	GAUGE0105	GAUGE,TEMPERATURE,NPT,0.500,DIAL,3.0,STEM,06.00,CBM,304,STAINLESS,BIMETAL,00-250F,KWI,STANDARD
22	2	TI-101 TI-100	GAUGE0107	GAUGE,TEMPERATURE,NPT,0.500,DIAL,3.0,STEM,06.00,CBM,304,STAINLESS,BIMETAL,50-550F
23	1	DPI-600	GAUGE0127	GAUGE,PRESS,DIFF,DRY,NPT,0.500,DIAL,4.50,0-15 PSI,316SST,WETTED,PARTS,VITON,CASE,W/MAX,INDICATOR,MIDWEST,SERIES,120,ALUMINUM

BILL OF MATERIAL				
ITEM	QTY	TAG	PART NO	DESCRIPTION
24	1	LSL-100	CUSTP0001	CUSTOMER,PROVIDED,PARTS,LEVEL,SWITCH
25	1		FTGTH0025	FITTING,NPT,BUSHING,105,FS,03M,2.000,X,0.750,SA,105
26	1	TW-103 TIT-103	CUSTP0001	CUSTOMER,PROVIDED,PARTS,TEMPERATURE,INDICATING,TRANSMITTER
27	3	TW-100 TW-101 TW-200	THRWL0005	THERMOWELL,NPT,0.750,MNPT,X,0.500,FNPT,06.00,STEM,304,SS
28	1	LC-200	LEVCN0017	CONTROL,LEVEL,1001-2SM60-SRDF-BA,2.00,NPT,ANSI,2500,CS,BODY,SNAP,RIGHT HAND MOUNTING,DIRECT ACTING,VITON SEAL,W,1.66,X,12.0,STAINLESS,DISPLACER,400F,15.0,ARM,VERTICAL
29	1	LC-201	LEVCN0028	CONTROL,LEVEL,1001-2SM60-TLDF-BA,2.00,NPT,ANSI,2500,CS,BODY,THROTTLE,LEFT HAND MOUNTING,DIRECT ACTING,VITON SEAL,W,1.66,X,12.0,STAINLESS,DISPLACER,400F,15.0,ARM,VERTICAL
30	1	PCV-705	REGUL0003	REGULATOR,NPT,0.250,MAWP,0250#,SPRING,RANGE,0-035#,PSI,INTERNAL,FILTER ELEM 40 MICRON,BODY,ALUMN,MOD,P05000203500000,BELGAS,BRASS
31	2	LG-200 LG-201	STGLS0040	SIGHT,GLASS,REDLINE,0.625,X,24.00,OAL,MAWP,250#
32	1	LG-100	STGLS0041	SIGHT,GLASS,REDLINE,0.625,X,36.00,OAL,MAWP,250#
33	3		STGLS0008	GAUGE,COCK,0.500,MNPT,0.375,DRAIN,0.625,TUBE,IRON,MOD,N7A,PENBERTHY
34	1		FITNP0252	FITTING,NPT,ELBOW,90,DEG,105,FS,03M,0.500,SA,105
35	1		STLAN0005	STEEL,ANGLE,0.250,X,3.00,X,2.00,SA,36 1'-5"
36	1		FTGTH0004	FITTING,NPT,BUSHING,FS,03M,0.500,X,0.250,SA,105
37	1		FTGTH0006	FITTING,NPT,BUSHING,FS,03M,0.750,X,0.250,SA,105
38	2		FITNP0554	FITTING,PLUG,NPT,105,FS,HEX,HEAD,1.000,SA,105
39	1	TW-104 TT-104	CUSTP0001	CUSTOMER,PROVIDED,PARTS,TEMPERATURE,TRANSMITTER
40	6		FITNP0552	FITTING,PLUG,NPT,105,FS,HEX,HEAD,0.500,SA,105
41	1		FITNP0550	FITTING,PLUG,NPT,105,FS,HEX,HEAD,0.250,SA,105
42	1		NIPIP0098	NIPPLE,PIPE,TBE,1.000,X,03.00,WT,0.179,S,080,XH,SA,106B 3"
43	5		NIPIP0032	NIPPLE,PIPE,TBE,0.500,X,03.00,WT,0.147,S,080,XH,SA,106B 3"
44	1		NIPIP0029	NIPPLE,PIPE,TBE,0.500,X,02.00,WT,0.147,S,080,XH,SA,106B 2"
45	1		NIPIP0008	NIPPLE,PIPE,TBE,0.250,X,03.00,WT,0.119,S,080,XH,SA,106B 3"
46	1		NIPIP0006	NIPPLE,PIPE,TBE,0.250,X,02.00,WT,0.119,S,080,XH,SA,106B 2"
47	3		CSCRW0455	CAPSCREW,GR,8,HEX,0.500,X,02.500,NC,13,YLW ZINC
48	132		CSCRW0443	CAPSCREW,GR,8,HEX,0.500,X,01.500,NC,13,YLW ZINC
49	4		CSCRW0516	CAPSCREW,GR,8,HEX,0.750,X,02.500,NC,10,YLW ZINC
50	12		CSCRW0519	CAPSCREW,GR,8,HEX,0.750,X,03.000,NC,10,YLW ZINC

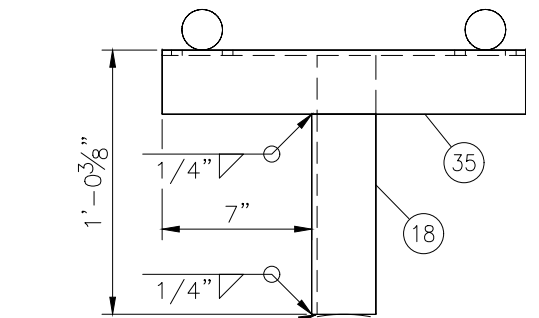
BILL OF MATERIAL				
ITEM	QTY	TAG	PART NO	DESCRIPTION
51	2		UBOLT019	UBOLT,PIPE,01.500,SHANK,0.375,NC,ZINC,STD
52	138		NUTHX159	NUT,HEX,2H,0.500,NC,13,A194,ZINC
53	32		NUTHX180	NUT,HEX,2H,0.750,NC,10,A194,ZINC
54	1		GASKT0117	GASKET,42.00,X,37.000,X,0.1250,(60)0.5625,BH,40.000,BC,THERMOSEAL,C-4300
55	1		GASKT0090	GASKET,18.000,X,14.000,X,0.1250,(20)0.5625,BH,16.00,BC,THERMOSEAL,C4300
56	2		GASKT0089	GASKET,16.750,X,12.750,X,0.1250,(20)0.5625,BH,14.75,BC,THERMOSEAL,C4300
57	1		FTGTH0015	FITTING,NPT,BUSHING,FS,03M,1.000,X,0.750,SA,105

**ISSUED
FOR CONSTRUCTION**

By Blockler at 5:09:23 PM, 3/30/2017



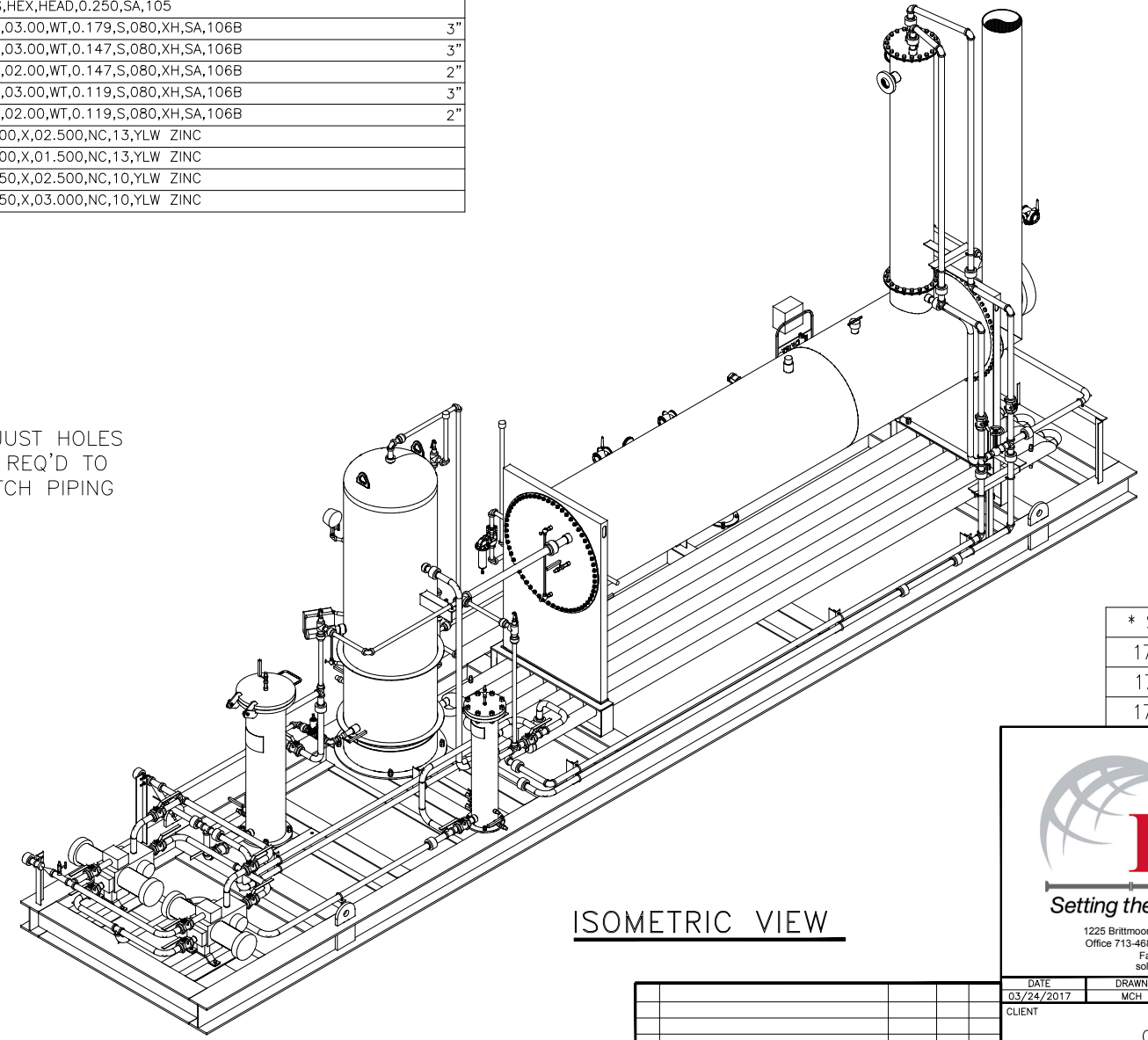
ELEVATION VIEW



PLAN VIEW

STILL COLUMN SUPPORT DETAIL

SCALE 3" = 1'-0"



ISOMETRIC VIEW

* S.O. NO.	** SERIAL NO.
17-0028	17100
17-0031	17110
17-0032	17113

KWI
Setting the New STANDARD

1225 Britton Road Houston, TX 77043
Office 713-468-9581 800-846-Wind (9463)
Fax: 713-468-2770
solutions@kwintl.com

DATE	DRAWN	CHECKED	APPROVED
03/24/2017	MCH	BEL	
CLIENT: CAPROCK			
TITLE: GENERAL ARRANGEMENT 750M GLYCOL REGEN UNIT W/ GLYCOL/GAS/DIST. SEPARATOR			
SCALE: AS SHOWN		S.O.# * **	
0	ISSUED FOR CONSTRUCTION	03/31/17	MCH BEL
REV.	DESCRIPTION	DATE	BY CK
DRAWING NUMBER: REGEN0116		SHT# 5 OF 5	

THIS DRAWING AND ITS CONTENTS ARE THE PROPERTY OF KWI INTERNATIONAL AND SHALL NOT BE USED, REPRODUCED OR DISCLOSED EXCEPT IN ACCORDANCE WITH ITS WRITTEN PERMISSION.