

**PROJECT NUMBER: J1001-1008**

QUOTE NUMBER: CSM19-1288

LSD: VARIOUS (GRANDE PRAIRIE AREA)

DRAWING PACKAGE: CLIENT IFC

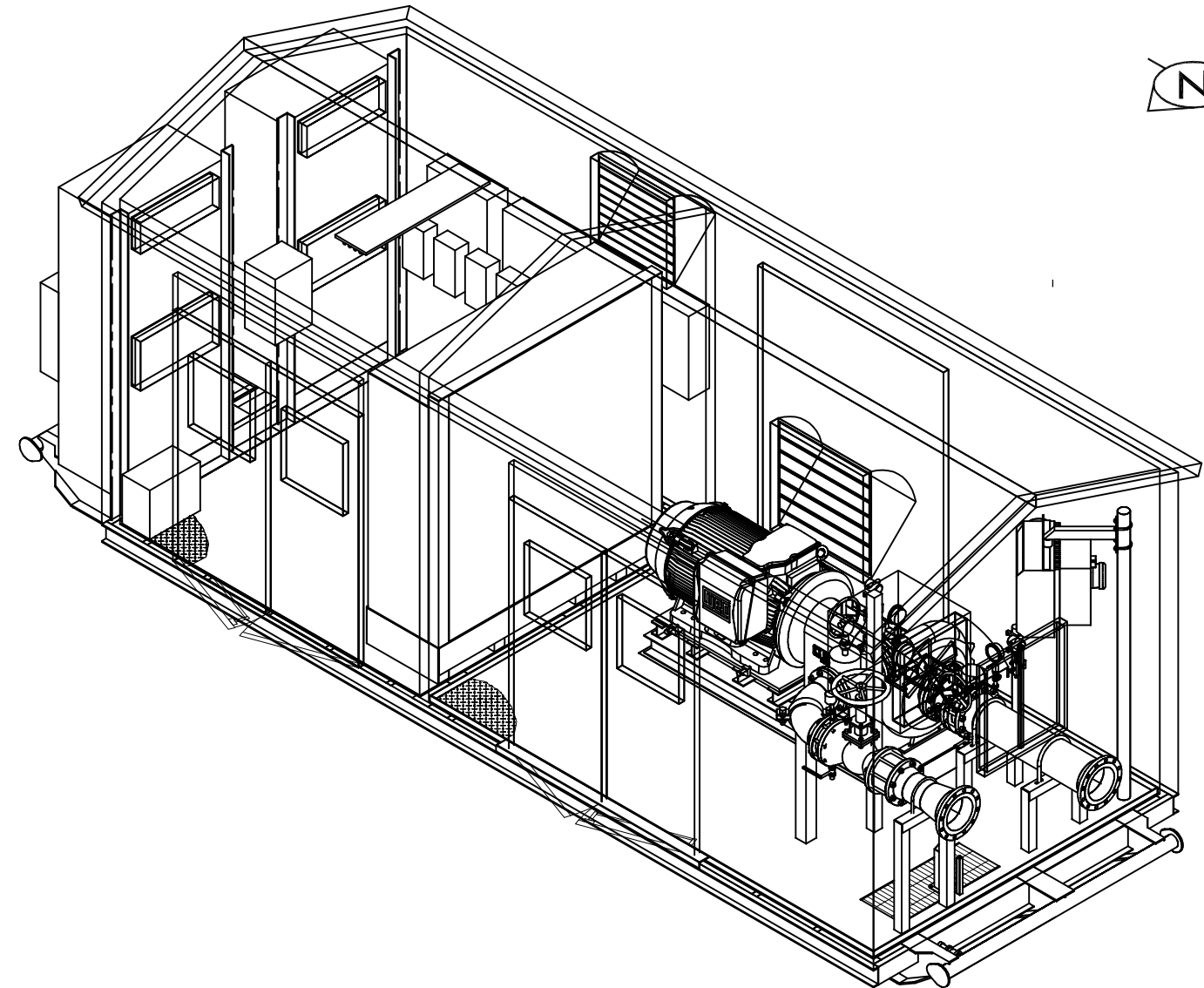
# SEVEN GENS c/o AZTEC ENGINEERING FRESH WATER TRANSFER PACKAGE

## DRAWING NUMBER

1. J1001-1008-COVER
2. J1001-1008-PID-001
3. J999-1008-LDT-001
4. J1001-1008-GA-001
5. J1001-1008-GA-002
6. J1001-1008-GA-003
7. J999-1008-STR-001
8. J999-1008-STR-002
9. J999-1008-STR-003
10. J999-1008-BLD-001
11. J1001-1008-UNIT-001

## DESCRIPTION

- PACKAGE COVER SHEET  
PROCESS AND INSTRUMENTATION DIAGRAM  
LINE DESIGNATION TABLE  
GENERAL ARRANGEMENT - PLAN VIEW  
GENERAL ARRANGEMENT - ELEVATION VIEWS  
GENERAL ARRANGEMENT - ISOMETRIC VIEWS  
MAIN SKID - OVERALL LAYOUT  
MAIN SKID - FRAME PLAN  
MAIN SKID - FLOOR PLAN  
BUILDING - LAYOUT  
PUMP UNITIZATION DRAWING



**ISSUED FOR CONSTRUCTION**

APRIL 6, 2020

**CSM**  
PUMP PACKAGING INC

3321 - 11 Street  
Nisku, Alberta, Canada, T9E 1K7  
Tel: 780.979.1540 Fax: 780.979.1525  
Web: www.csmpump.com

**P-100**  
PIONEER CENTRIFUGAL PUMP,  
MODEL SC108C24L71-H0,  
IMPELLER SS, 24" TRIM,  
10"-150#FF SUCTION FLANGE,  
8"-150#FF DISCHARGE FLANGE,  
DUCTILE IRON PUMP CASE,  
SINGLE MECHANICAL SEAL

**M-100**  
WEG ELECTRIC MOTOR,  
HT700404NPBBW22,  
700 HP, 1800RPM,  
3PH/60HZ/480V,  
TEFC ENCLOSURE,  
FRAME SIZE 588/9T,  
CLASS F INSULATION,  
CLASS I DIVISION II,  
VFD COMPATIBLE  
BEARINGS & WINDING RTD'S

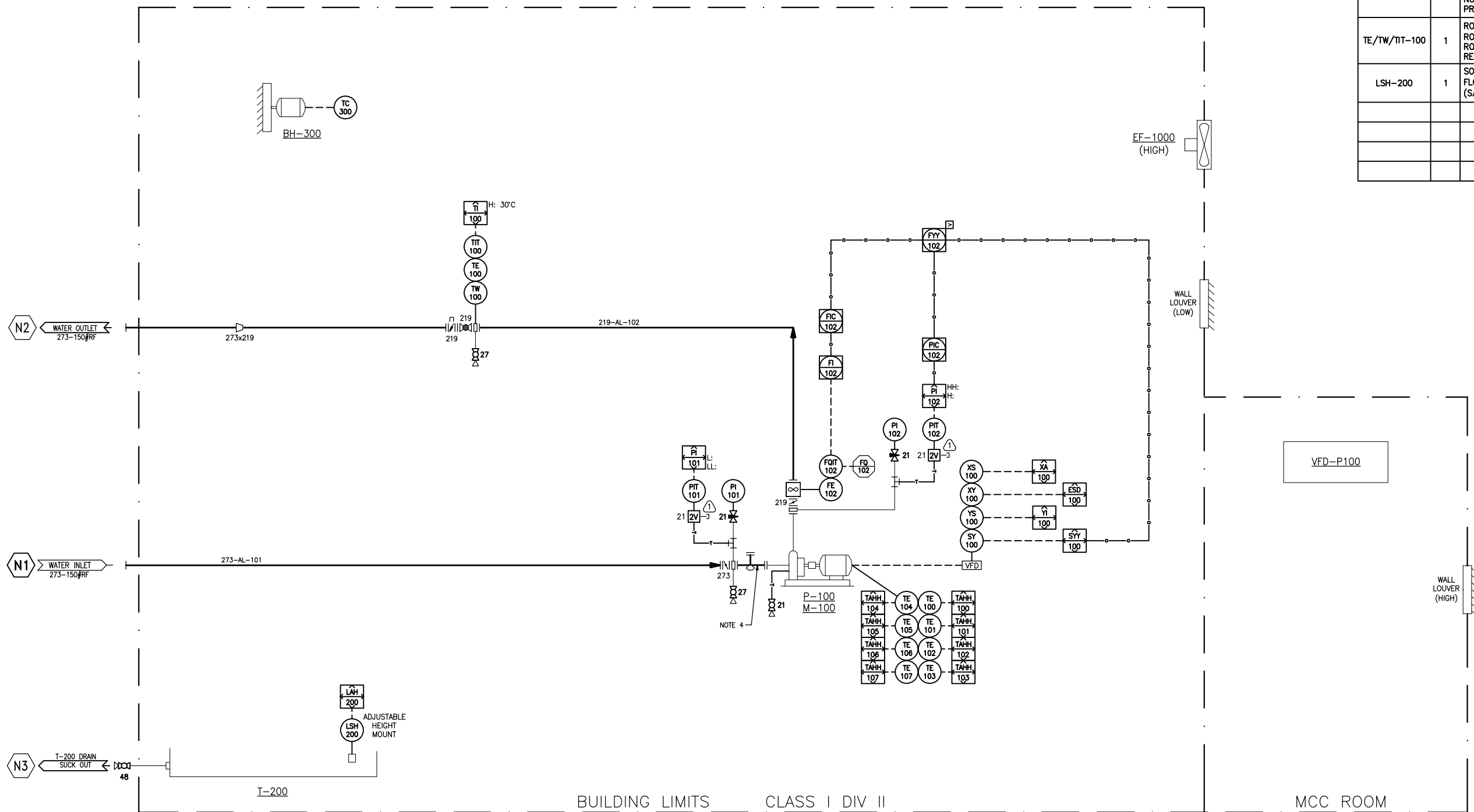
**BH-300**  
RUFFNECK XP HEATER,  
FX5-480360-100-T,  
3PH/60HZ/480V, 10KW  
c/w THERMOSTAT,  
3.0" PIPE MOUNT KIT

**EF-1000**  
12"XP EXHAUST FAN,  
CAPABLE OF 12 AC/HR,  
120V/1PH/60HZ,  
W/BDD, STORM HOOD

**T-200**  
IN-SKID OPEN SUMP TANK  
CAPACITY: 136L/35.9GAL

INSTRUMENT BILL OF MATERIALS

ITEM	QTY	DESCRIPTION
PI-101	1	WKA 233.54 PRESSURE INDICATOR, 0-200 kPag (0-30PSIG), DUAL SCALE, 4" FACE, LIQUID FILLED, 1/2"-MNPT, NACE
PI-102	1	WKA 233.54 PRESSURE INDICATOR, 0-2100 kPag (0-300PSIG), DUAL SCALE, 4" FACE, LIQUID FILLED, 1/2"-MNPT, NACE
PIT-101/102	1	ROSEMOUNT 2088 GAUGE PRESSURE TRANSMITTER, 2088G3S22A1M5B4C6, RANGE: -14.7 TO 800 PSI, 4-20MA OUTPUT, LCD DISPLAY, SCALED 0-100%
FE/FQIT-102	1	SUR-FLO PADDLE STYLE FLOW METER, PT# SF1015-H-S-8.0-80-8.1S, 8" SCH 80, 780-5560 USGPM, MAGNETIC PICK UP, 316 SS CONSTRUCTION, 8"-150# RF CONNECTIONS c/w 2-PIN MAGNETIC PICKUP COIL, 4" LONG NUFLO MC-III FLOW ANALYZER W/4-20 mA ANALOG OUTPUT, EXPLOSION PROOF, CLASS 1 DIV 1
TE/TW/TIT-100	1	ROSEMOUNT 214C RTD TEMPERATURE SENSOR, 4 WIRE CONFIGURATION c/w ROSEMOUNT 114C THERMOWELL, 3/4" NPT, 316SS, 6" IMMERSION LENGTH, ROSEMOUNT 644HAK6J6F6 SMART TEMPERATURE TRANSMITTER, LCD DISPLAY, REMOTE MOUNT
LSH-200	1	SOR HIGH LEVEL SWITCH, MODEL 1550C-F2A-C-L1-ES-CSCVX, VERTICAL FLOAT, 2" MNPT, 5" INSERTION LENGTH, CLASS I DIV I, XP C/W KICK PLATE (SAFETY YELLOW) ⚠



- NOTES:**
1. IN ACCORDANCE WITH AZTEC ENGINEERING SPECIFICATIONS
  2. EXTERNAL COATING TO BE AS PER CSM PAINT SPEC.
  3. TUBING FITTINGS TO BE 316SS SWAGelok.
  4. PRIMING SPOOL INSTALLED FOR OPTION OF FUTURE PIONEER PUMP PRIMING SYSTEM.

THIS DRAWING CONTAINS CSM PUMP PACKAGING PROPRIETARY AND CONFIDENTIAL INFORMATION AND IS LOANED FOR LIMITED PURPOSES ONLY AND REMAINS THE PROPERTY OF CSM. IT MAY NOT BE REPRODUCED IN WHOLE OR IN PART WITHOUT THE WRITTEN PERMISSION OF CSM AND MUST NOT BE DISCLOSED TO PERSONS NOT HAVING NEED OF SUCH DISCLOSURE CONSISTENT WITH THE PURPOSE OF THE LOAN. THE DOCUMENT MUST BE RETURNED TO CSM UPON REQUEST AND IN ALL EVENTS UPON COMPLETION OF THE USE FOR WHICH IT WAS LOANED.

REV.	DATE	DESCRIPTION	BY	CHK.	APP.
0	2019/01/30	ISSUED FOR CONSTRUCTION	AP	MWH	NH
1	2019/04/06	REVISED FOR CONSTRUCTION	AP	MWH	NH

**CSM**  
PUMP PACKAGING INC

3321 - 11 Street  
Nisku, Alberta, Canada, T9E 1K7  
Tel: 780.979.1540 Fax: 780.979.1525  
Web: www.csmump.com

PROCESS & INSTRUMENTATION DIAGRAM  
SEVEN GENS  
c/o AZTEC ENGINEERING  
FRESH WATER TRANSFER PACKAGE

REF N°: CSM19-1288  
DRAWN: MWH  
DATE: 2019/11/27

DWG NUM: J1001-1008-PID-001  
SHT.: 1 of 1  
SCALE: NTS

REV.: 1

**P&ID LINE LIST - DRAWING: J999/1000/1001/1002/1003/1004/1005/1006/1007/1008-PID-001**

LINE NO.	SIZE	SPEC	DESCRIPTION		SERVICE	DESIGN			NON DESTRUCTIVE TESTING			PWHT Y/N	C.A.	FITTINGS MATERIAL	PIPE MATERIAL	PIPE SCH.	ANSI CLASS	INT. COATING Y/N	REFERENCE P&ID	COMMENTS
			FROM	TO		PRESS (kPa)	TEMP (°C)	CODE	PRESS (kPa)	FLUID	X-RAY %									
101	273	AL	N1 (WATER INLET)	P-100	SWEET	1965	-45/38	B31.3	2945	WATER	10	N	1.6mm	A420-WPL6 / A350LF2	A333 GR.6 SMLS	40	150	N	J999-1008-PID-001	
102	219	AL	P-100	N2 (WATER OUTLET)	SWEET	1965	-45/38	B31.3	2945	WATER	10	N	1.6mm	A420-WPL6 / A350LF2	A333 GR.6 SMLS	40	150	N	J999-1008-PID-001	

**NOTES:**  
 1. CODE AS PER LATEST REVISION.  
 2. PWHT IF PIPE WALL THICKNESS IS >19mm.

THIS DRAWING CONTAINS CSM PUMP PACKAGING PROPRIETARY AND CONFIDENTIAL INFORMATION AND IS LOANED FOR LIMITED PURPOSES ONLY AND REMAINS THE PROPERTY OF CSM. IT MAY NOT BE REPRODUCED IN WHOLE OR IN PART WITHOUT THE WRITTEN PERMISSION OF CSM AND MUST NOT BE DISCLOSED TO PERSONS NOT HAVING NEED OF SUCH DISCLOSURE CONSISTENT WITH THE PURPOSE OF THE LOAN. THE DOCUMENT MUST BE RETURNED TO CSM UPON REQUEST AND IN ALL EVENTS UPON COMPLETION OF THE USE FOR WHICH IT WAS LOANED.

REV.	DATE	DESCRIPTION	BY	CHK.	APP.
0	2020/01/29	ISSUED FOR CONSTRUCTION	AP	MWH	NH



**CSM**  
 PUMP PACKAGING INC  
 3321 - 11 Street  
 Nisku, Alberta, Canada, T9E 1K7  
 Tel: 780.979.1540 Fax: 780.979.1525  
 Web: www.csmump.com

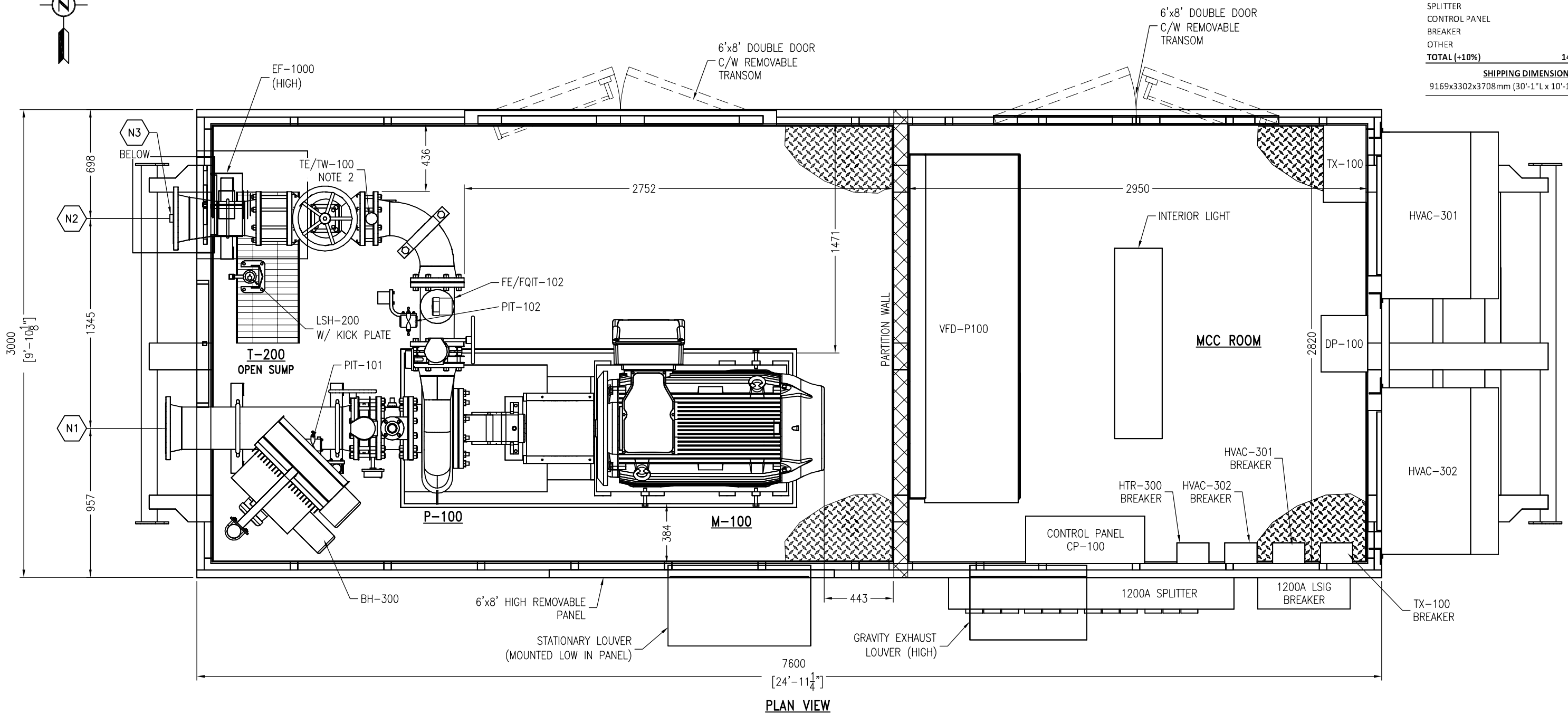
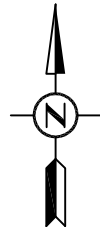
LINE DESIGNATION TABLE			
SEVEN GENS c/o AZTEC ENGINEERING FRESH WATER TRANSFER PACKAGE			
REF N°: CSM19-1288	DRAWN: AP	DATE: 2020/01/29	REV.: 0
DWG NUM: J999-1008-LDT-001	LSH: SHT.: 1 of 1	SCALE: NTS	

NOZZLE	DESCRIPTION	SIZE	ELEVATION (T/O FLOOR)	NOZZLE PROTRUSION
N1*	WATER INLET	10"-150#RF	658	200
N2*	WATER OUTLET	10"-150#RF	1048	150
N3	DRAIN OUT	1-1/2"-NPT		

\* NOZZLE PROTRUSIONS FROM EXT. WALL UNLESS NOTED OTHERWISE

APPROXIMATE PACKAGE WEIGHT		
ITEM	KGS	LBS
MAIN SKID	4160	9171
BUILDING	1526	3364
PIPING & MISC.	821	1810
UNITIZATION (P-100)	3188	7029
VFD	2041	4500
HVAC (700 EA.)	635	1400
SPLITTER	227	500
CONTROL PANEL	136	300
BREAKER	91	200
OTHER	454	1000
<b>TOTAL (+10%)</b>	<b>14606</b>	<b>32202</b>

SHIPPING DIMENSIONS  
9169x3302x3708mm (30'-1" L x 10'-10" W x 12'-2" H)



PLAN VIEW

NOTES:  
1. ALL DIMENSIONS ARE IN METRIC (IMPERIAL) UNLESS NOTED OTHERWISE.  
2. TIT-100 REMOTE MOUNTED AT ASSEMBLY.

THIS DRAWING CONTAINS CSM PUMP PACKAGING PROPRIETARY AND CONFIDENTIAL INFORMATION AND IS LOANED FOR LIMITED PURPOSES ONLY AND REMAINS THE PROPERTY OF CSM. IT MAY NOT BE REPRODUCED IN WHOLE OR IN PART WITHOUT THE WRITTEN PERMISSION OF CSM AND MUST NOT BE DISCLOSED TO PERSONS NOT HAVING NEED OF SUCH DISCLOSURE CONSISTENT WITH THE PURPOSE OF THE LOAN. THE DOCUMENT MUST BE RETURNED TO CSM UPON REQUEST AND IN ALL EVENTS UPON COMPLETION OF THE USE FOR WHICH IT WAS LOANED.

REV.	DATE	DESCRIPTION	BY	CHK.	APP.
0	2020/01/30	ISSUED FOR CONSTRUCTION	AP	MWH	NH
1	2020/02/10	BUILDING REVISED FOR CONSTRUCTION	AP	MWH	NH
2	2020/04/06	REVISED FAN LOCATION, ADDED SUMP SWITCH KICK PLATE	AP	MWH	NH

**CSM**  
PUMP PACKAGING INC

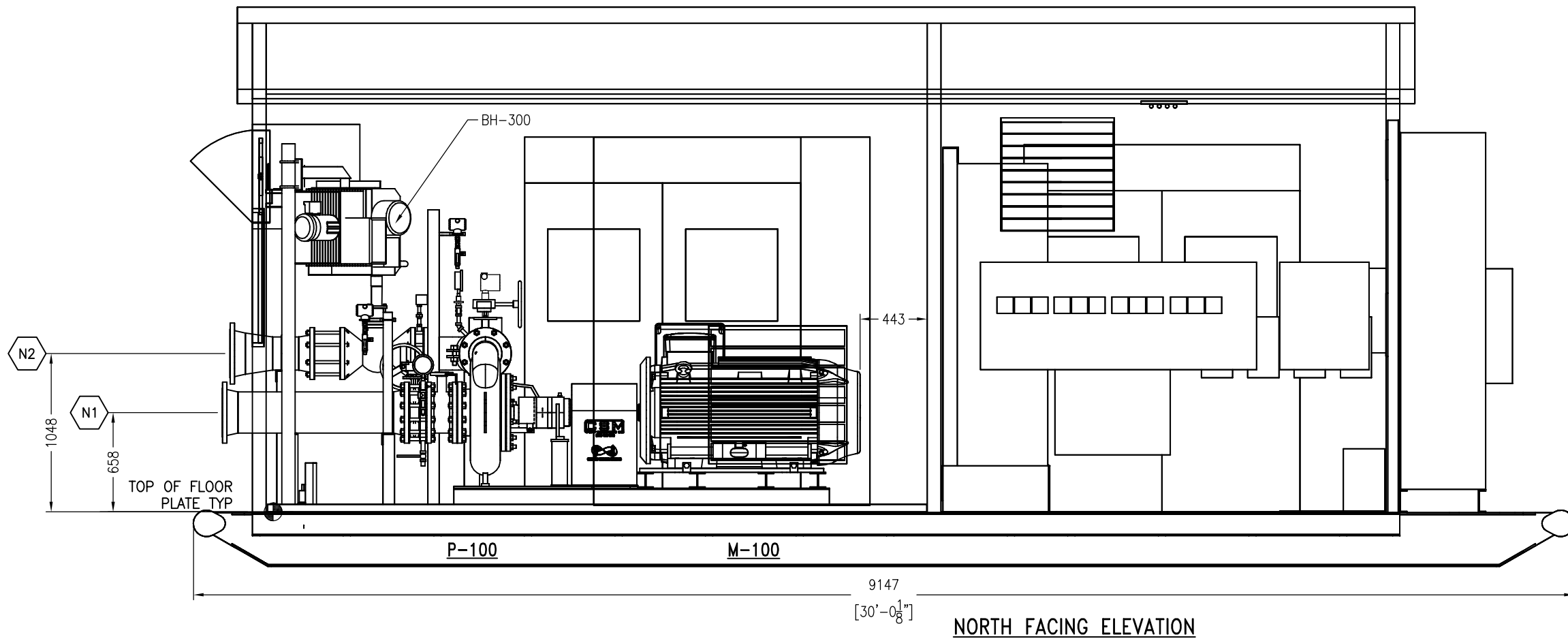
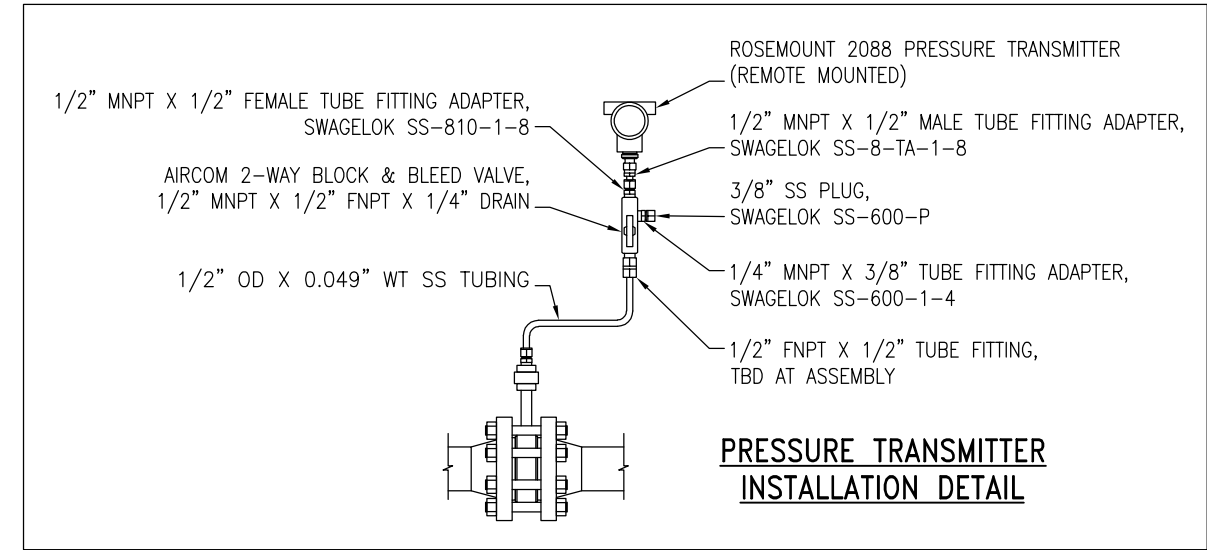
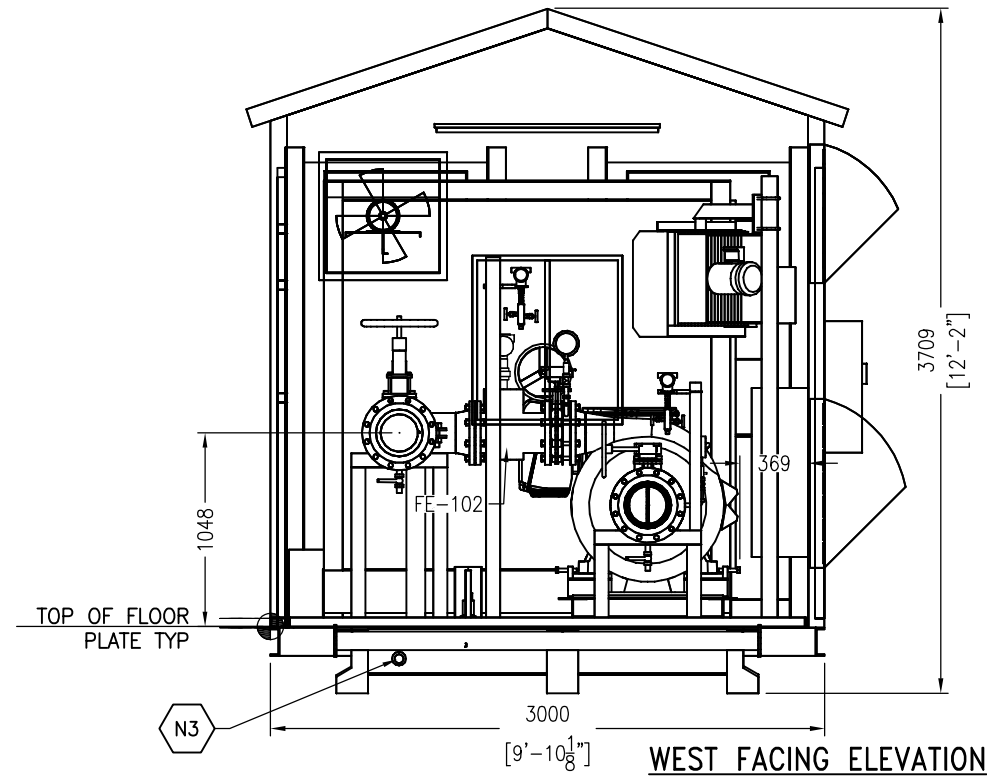
3321 - 11 Street  
Nisku, Alberta, Canada, T9E 1K7  
Tel: 780.979.1540 Fax: 780.979.1525  
Web: www.csmump.com

GENERAL ARRANGEMENT PLAN VIEW  
SEVEN GENS  
c/o AZTEC ENGINEERING  
FRESH WATER TRANSFER PACKAGE

REF N°: CSM19-1288  
DWG NUM: J1001-1008-GA-001  
DRAWN: SD  
SHT.: 1 of 1  
DATE: 2019/12/24  
SCALE: NTS  
REV.: 2

NOZZLE	DESCRIPTION	SIZE	ELEVATION (T/O FLOOR)	NOZZLE PROTRUSION
N1*	WATER INLET	10"-150#RF	658	200
N2*	WATER OUTLET	10"-150#RF	1048	150
N3	DRAIN OUT	1-1/2"-NPT		

\* NOZZLE PROTRUSIONS FROM EXT. WALL UNLESS NOTED OTHERWISE



NOTES:  
1. ALL DIMENSIONS ARE IN METRIC (IMPERIAL) UNLESS NOTED OTHERWISE.

THIS DRAWING CONTAINS CSM PUMP PACKAGING PROPRIETARY AND CONFIDENTIAL INFORMATION AND IS LOANED FOR LIMITED PURPOSES ONLY AND REMAINS THE PROPERTY OF CSM. IT MAY NOT BE REPRODUCED IN WHOLE OR IN PART WITHOUT THE WRITTEN PERMISSION OF CSM AND MUST NOT BE DISCLOSED TO PERSONS NOT HAVING NEED OF SUCH DISCLOSURE CONSISTENT WITH THE PURPOSE OF THE LOAN. THE DOCUMENT MUST BE RETURNED TO CSM UPON REQUEST AND IN ALL EVENTS UPON COMPLETION OF THE USE FOR WHICH IT WAS LOANED.

REV.	DATE	DESCRIPTION	BY	CHK.	APP.
0	2020/01/30	ISSUED FOR CONSTRUCTION	AP	MWH	NH
1	2020/02/10	BUILDING REVISED FOR CONSTRUCTION	AP	MWH	NH
2	2020/04/06	REVISED FAN LOCATION, ADDED SUMP SWITCH KICK PLATE	AP	MWH	NH

**CSM**  
PUMP PACKAGING INC

3321 - 11 Street  
Nisku, Alberta, Canada, T9E 1K7  
Tel: 780.979.1540 Fax: 780.979.1525  
Web: www.csmump.com

GENERAL ARRANGEMENT ELEVATION VIEWS  
SEVEN GENS  
c/o AZTEC ENGINEERING  
FRESH WATER TRANSFER PACKAGE

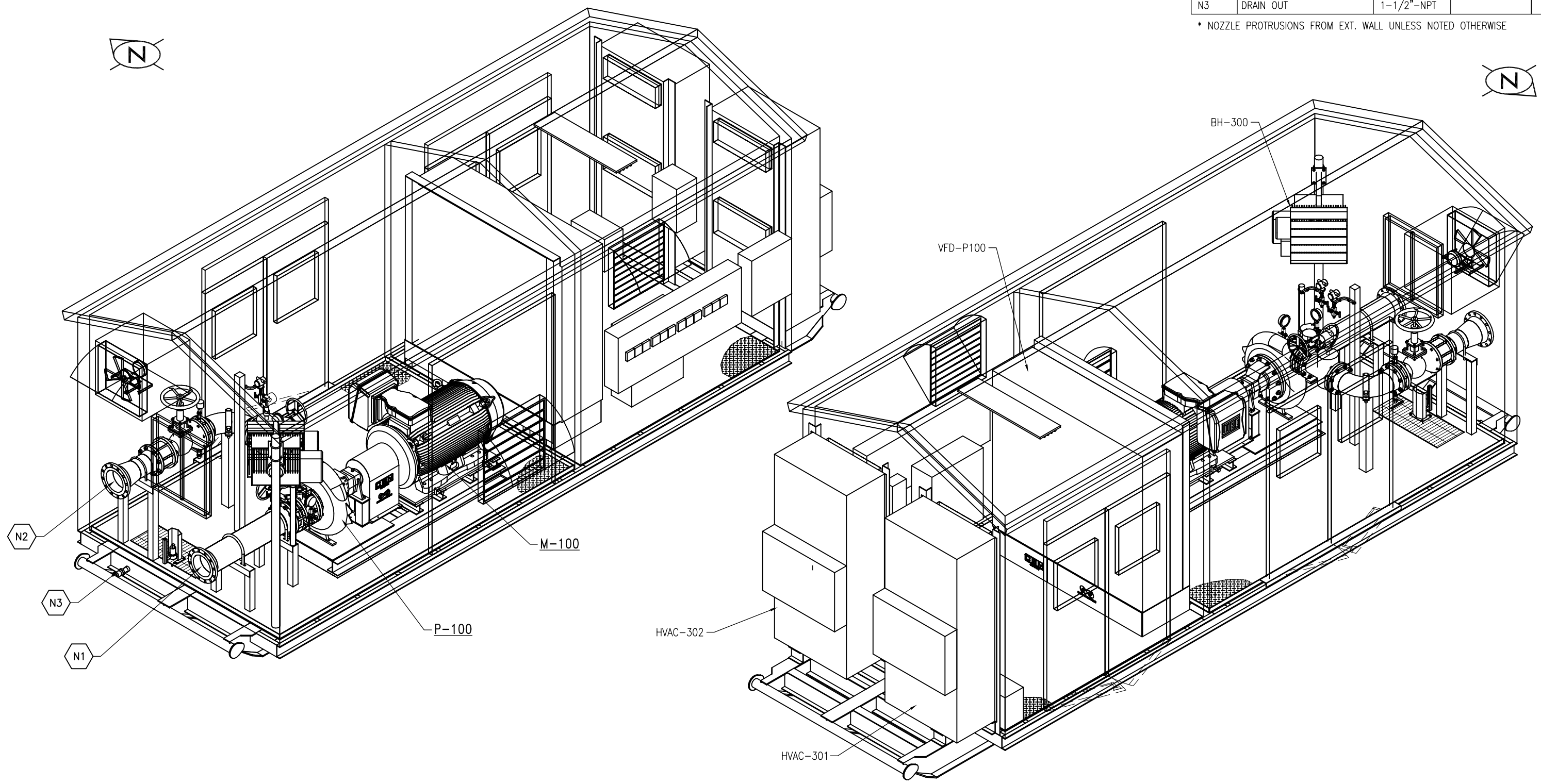
REF N°: CSM19-1288    DRAWN: SD    DATE: 2019/12/24

DWG NUM: J1001-1008-GA-002    LSH:    REV.: 2

SHT.: 1 of 1    SCALE: NTS

NOZZLE	DESCRIPTION	SIZE	ELEVATION (T/O FLOOR)	NOZZLE PROTRUSION
N1*	WATER INLET	10"-150#RF	658	200
N2*	WATER OUTLET	10"-150#RF	1048	150
N3	DRAIN OUT	1-1/2"-NPT		

\* NOZZLE PROTRUSIONS FROM EXT. WALL UNLESS NOTED OTHERWISE



NOTES:  
1. ALL DIMENSIONS ARE IN METRIC (IMPERIAL) UNLESS NOTED OTHERWISE.

THIS DRAWING CONTAINS CSM PUMP PACKAGING PROPRIETARY AND CONFIDENTIAL INFORMATION AND IS LOANED FOR LIMITED PURPOSES ONLY AND REMAINS THE PROPERTY OF CSM. IT MAY NOT BE REPRODUCED IN WHOLE OR IN PART WITHOUT THE WRITTEN PERMISSION OF CSM AND MUST NOT BE DISCLOSED TO PERSONS NOT HAVING NEED OF SUCH DISCLOSURE CONSISTENT WITH THE PURPOSE OF THE LOAN. THE DOCUMENT MUST BE RETURNED TO CSM UPON REQUEST AND IN ALL EVENTS UPON COMPLETION OF THE USE FOR WHICH IT WAS LOANED.

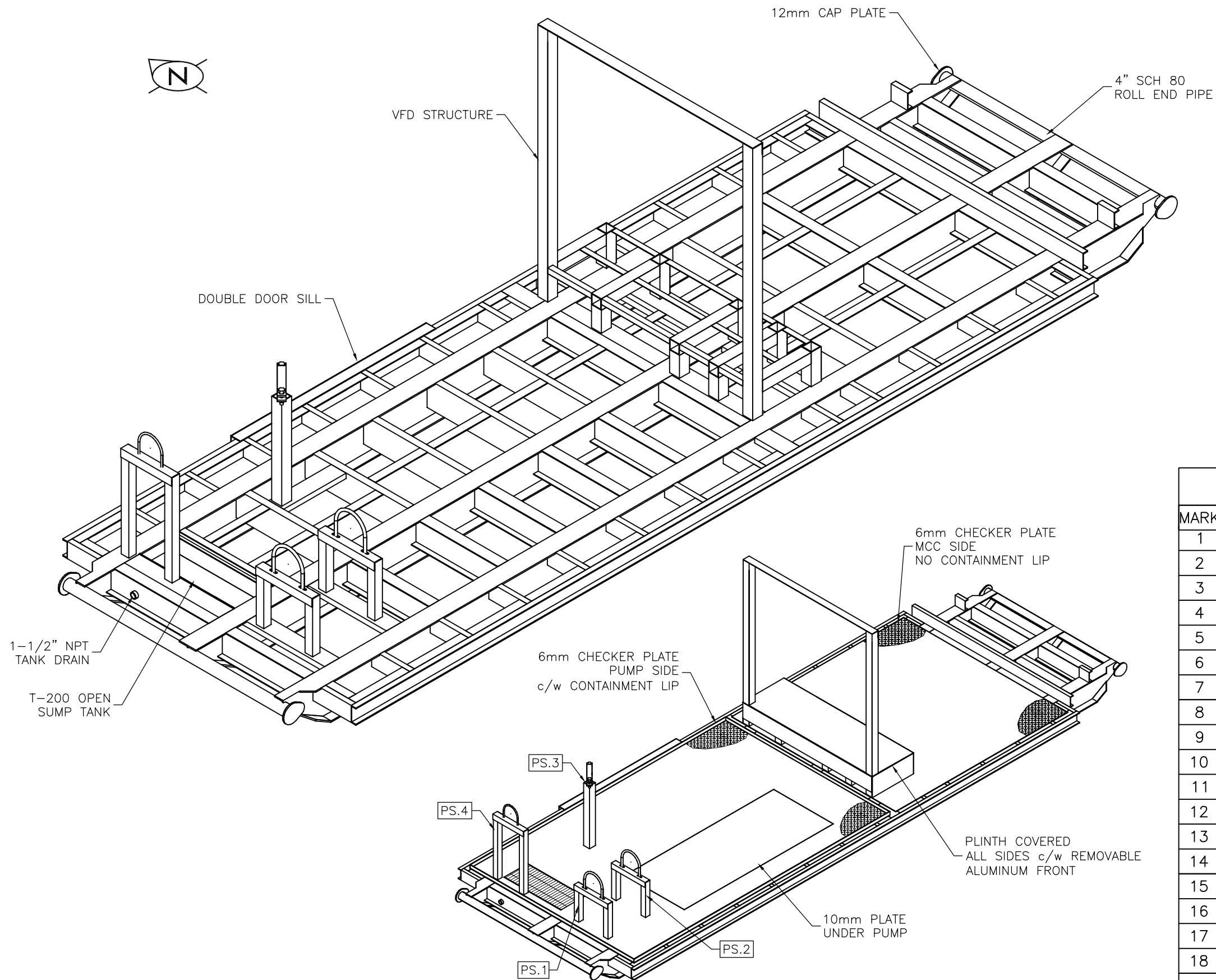
REV.	DATE	DESCRIPTION	BY	CHK.	APP.
0	2020/01/30	ISSUED FOR CONSTRUCTION	AP	MWH	NH
1	2020/02/10	BUILDING REVISED FOR CONSTRUCTION	AP	MWH	NH
2	2020/04/06	REVISED FAN LOCATION, ADDED SUMP SWITCH KICK PLATE	AP	MWH	NH

**CSM**  
PUMP PACKAGING INC

3321 - 11 Street  
Nisku, Alberta, Canada, T9E 1K7  
Tel: 780.979.1540 Fax: 780.979.1525  
Web: www.csmump.com

GENERAL ARRANGEMENT ISOMETRIC VIEWS  
SEVEN GENS  
c/o AZTEC ENGINEERING  
FRESH WATER TRANSFER PACKAGE

REF N°: CSM19-1288	DRAWN: SD	DATE: 2019/12/24
DWG NUM: J1001-1008-GA-003	LSH: SHT.: 1 of 1	SCALE: NTS
		REV.: 2



**CONSTRUCTION NOTES:**

1. DRAWING DIMENSION UNITS ARE MILLIMETERS UNLESS OTHERWISE NOTED.
2. WELDED TO CWB 47.1
3. WELD PROCEDURES MUST CONFORM IN ALL RESPECTS TO CSA W59.
4. REMOVE ALL BURRS AND SHARP EDGES.
5. CHECKER PLATE FLOOR AND CONTAINMENT LIP TO BE SEAL-WELDED, AS WELL AS ALL OTHER PROTRUSIONS THROUGH SURFACE.
6. FABRICATOR TO PROVIDE FRAMING WHERE NEEDED TO SUPPORT FLOOR PLATE.
7. 100% MPI INSPECTION ON LIFTING LUGS, MAIN BEAM, AND OPEN SUMP WELDS.
8. INSULATED WITH 50mm SPRAY ON FIRE RETARDANT POLYURETHANE ON UNDERSIDE OF SKID.
9. COMMERCIAL BLAST (SSPC-SP6).
10. STRUCTURAL STEEL IN GENERAL INCLUDING PLATE & ANGLE SHALL CONFORM TO CSA G-40.21-M GRADE 300W.
11. HSS, WIDE FLANGE & CHANNEL STEEL SHALL CONFORM TO GRADE 350W.
12. SHEET STEEL SHALL CONFORM TO ASTM A446/GRADE A.
13. BOLTS SMALLER THAN 20mm DIA SHALL CONFORM TO ASTM A307.
14. BOLTS LARGER THAN 20mm DIA SHALL CONFORM TO ASTM A325.
15. PAINT COLOR AND FINISH:
  - PRIMER: CLOVERDALE EPOXY DURAPRIME GREY
  - TOPCOAT: WARM GREY CLOVERDALE ARMOUR SHIELD XP ALIPHATIC URETHANE TOPCOAT (2 COATS)

**SKID BILL OF MATERIAL**

MARK	QTY	DESCRIPTION	LENGTH	WEIGHT
1	1	C150x12-MAIN CROSS MEMBERS	37830	451.25
2	1	C250x23-CROSS MEMBERS	13103	286.83
3	1	HS76x76x6.4-PIPE SUPPORT POSTS	3925	51.45
4	1	HS102x102x6.4-PIPE SUPPORT POST	10675	193.85
5	2	4" SCH 80 PIPE	2286	83.67
6	1	L32x32x6.4-GRATING SUPPORT	1937	5.54
7	1	L76x76x6.4-PS BRANCH/CHK PLT SPT	10516	76.56
8	1	L102x102x6.4-CABINET BRANCH	2200	21.67
9	1	PL-10 X 2540 X 1016-PUMP PLATE	-	202.63
10	4	PL-12 X 212.5 X 175-CAP PLATES	-	10.48
11	1	CHECKER PL-6 X 4467 X 3000	-	491.37
12	1	CHECKER PL-6 X 2933 X 2800	-	386.89
13	1	PL-6 X 1132 X 603-SUMP BOTTOM	-	32.19
14	1	PL-6 X 2000 X 150-DOOR SILL	-	14.13
15	1	W250x22-MAIN CROSS MEMBERS	15345	328.18
16	1	W360x51-MAIN RUNNERS	26916	1335.69
17	1	FB50x6-CONTAINMENT OR EQUIVALENT	14310	36.21
18	1	1" SERRATED GRATING	-	26.5

TOTAL WEIGHT: 4035 KGs

- NOTES:**
1. ALL DIMENSIONS ARE IN METRIC (IMPERIAL) UNLESS NOTED OTHERWISE.
  2. CHECKER PLATE REMOVED FOR CLARITY.

THIS DRAWING CONTAINS CSM PUMP PACKAGING PROPRIETARY AND CONFIDENTIAL INFORMATION AND IS LOANED FOR LIMITED PURPOSES ONLY AND REMAINS THE PROPERTY OF CSM. IT MAY NOT BE REPRODUCED IN WHOLE OR IN PART WITHOUT THE WRITTEN PERMISSION OF CSM AND MUST NOT BE DISCLOSED TO PERSONS NOT HAVING NEED OF SUCH DISCLOSURE CONSISTENT WITH THE PURPOSE OF THE LOAN. THE DOCUMENT MUST BE RETURNED TO CSM UPON REQUEST AND IN ALL EVENTS UPON COMPLETION OF THE USE FOR WHICH IT WAS LOANED.

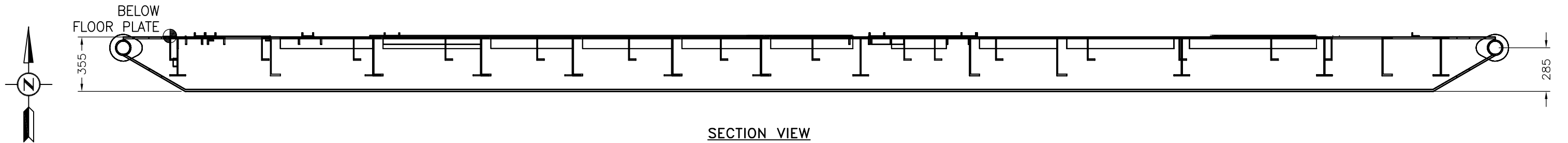
REV.	DATE	DESCRIPTION	BY	CHK.	APP.
A	2020/01/08	ISSUED FOR APPROVAL	SD	MWH	NH
0	2020/01/22	ISSUED FOR CONSTRUCTION	SD	MWH	NH
1	2020/01/25	RE-ISSUED FOR CONSTRUCTION	MWH	NH	
2	2020/01/30	RE-ISSUED FOR CONSTRUCTION	MWH	NH	
3	2020/02/03	RE-ISSUED FOR CONSTRUCTION	MWH	NH	



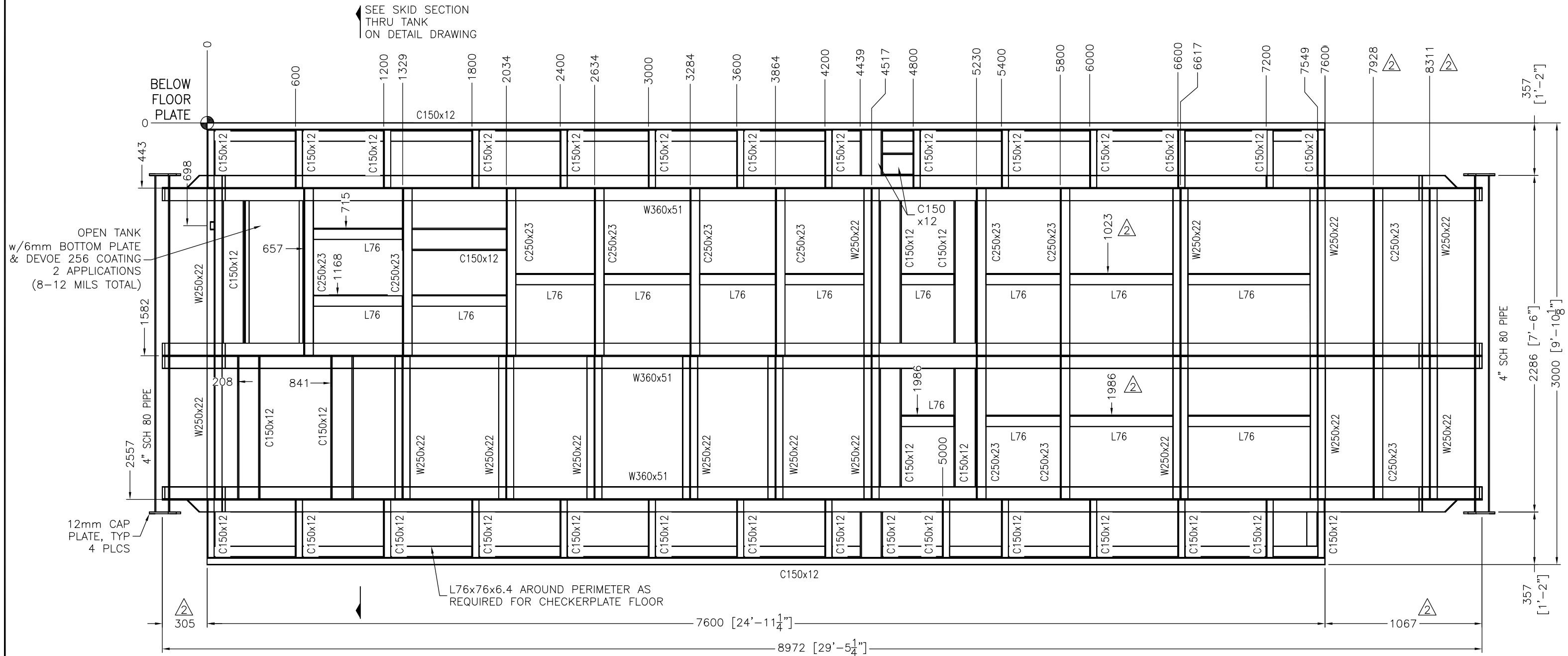
3321 - 11 Street  
Nisku, Alberta, Canada, T9E 1K7  
Tel: 780.979.1540 Fax: 780.979.1525  
Web: www.csmump.com

**MAIN SKID - OVERALL LAYOUT**  
SEVEN GENS  
c/o AZTEC ENGINEERING  
FRESH WATER TRANSFER PACKAGE

REF N°: CSM19-1288	DRAWN: SD	DATE: 2019/12/30
DWG NUM: J999-J1008-STR-001	LSH: 1 of 1	REV.: 3
SHT.: 1 of 1		SCALE: NTS



SECTION VIEW



PLAN VIEW

- NOTES:**
1. ALL DIMENSIONS ARE IN METRIC (IMPERIAL) UNLESS NOTED OTHERWISE.
  2. CROSS MEMBER DIMENSIONS SHOWN ARE FROM DATUM TO BACK OF CHANNEL WEB/FLANGE AND CENTER OF W-BEAM UNLESS NOTED OTHERWISE.
  3. FRAME PLAN SHOWN AS TRANSPARENT TO SHOW STEEL ORIENTATION.
  4. L76 DESIGNATES L76x76x6.4 TYPICAL CHECKERPLATE SUPPORT ANGLES, FLAT SIDE UP.

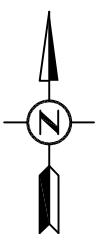
THIS DRAWING CONTAINS CSM PUMP PACKAGING PROPRIETARY AND CONFIDENTIAL INFORMATION AND IS LOANED FOR LIMITED PURPOSES ONLY AND REMAINS THE PROPERTY OF CSM. IT MAY NOT BE REPRODUCED IN WHOLE OR IN PART WITHOUT THE WRITTEN PERMISSION OF CSM AND MUST NOT BE DISCLOSED TO PERSONS NOT HAVING NEED OF SUCH DISCLOSURE CONSISTENT WITH THE PURPOSE OF THE LOAN. THE DOCUMENT MUST BE RETURNED TO CSM UPON REQUEST AND IN ALL EVENTS UPON COMPLETION OF THE USE FOR WHICH IT WAS LOANED.

REV.	DATE	DESCRIPTION	BY	CHK.	APP.
A	2020/01/08	ISSUED FOR APPROVAL	SD	MWH	NH
0	2020/01/22	ISSUED FOR CONSTRUCTION	SD	MWH	NH
1	2020/01/25	RE-ISSUED FOR CONSTRUCTION	MWH	NH	
2	2020/01/30	RE-ISSUED FOR CONSTRUCTION	MWH	NH	
3	2020/02/03	RE-ISSUED FOR CONSTRUCTION	MWH	NH	

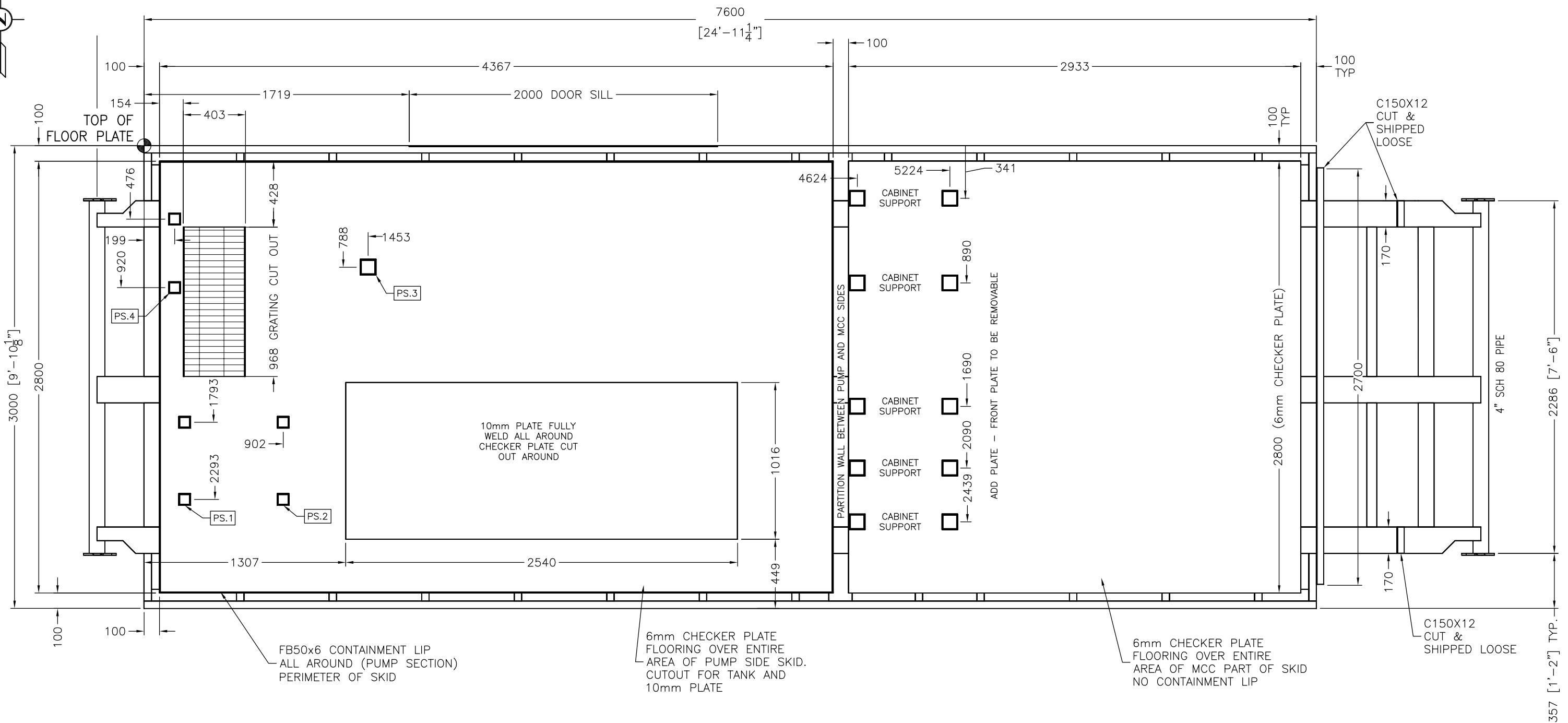
**CSM**  
PUMP PACKAGING INC

3321 - 11 Street  
Nisku, Alberta, Canada, T9E 1K7  
Tel: 780.979.1540 Fax: 780.979.1525  
Web: www.csmump.com

MAIN SKID - FRAME PLAN		
SEVEN GENS		
c/o AZTEC ENGINEERING		
FRESH WATER TRANSFER PACKAGE		
REF N°: CSM19-1288	DRAWN: SD	DATE: 2019/12/30
DWG NUM: J999-J1008-STR-002	LSH:	REV: 3
SHT: 1 of 1	SCALE: NTS	



**SECTION VIEW**



**PLAN VIEW**

- NOTES:**
1. ALL DIMENSIONS ARE IN MILLIMETERS UNLESS NOTED OTHERWISE.
  2. DIMENSIONS ARE FROM DATUM POINT TO CENTER OF COLUMNS UNLESS NOTED OTHERWISE.
  3. SEE MAIN SKID SUPPORT DRAWINGS FOR SUPPORT (PS.X) DETAILS.
  4. SEE MAIN SKID DETAIL DRAWING FOR MORE INFORMATION AND SECTIONS.

THIS DRAWING CONTAINS CSM PUMP PACKAGING PROPRIETARY AND CONFIDENTIAL INFORMATION AND IS LOANED FOR LIMITED PURPOSES ONLY AND REMAINS THE PROPERTY OF CSM. IT MAY NOT BE REPRODUCED IN WHOLE OR IN PART WITHOUT THE WRITTEN PERMISSION OF CSM AND MUST NOT BE DISCLOSED TO PERSONS NOT HAVING NEED OF SUCH DISCLOSURE CONSISTENT WITH THE PURPOSE OF THE LOAN. THE DOCUMENT MUST BE RETURNED TO CSM UPON REQUEST AND IN ALL EVENTS UPON COMPLETION OF THE USE FOR WHICH IT WAS LOANED.

REV.	DATE	DESCRIPTION	BY	CHK.	APP.
A	2020/01/08	ISSUED FOR APPROVAL	SD	MWH	NH
0	2020/01/22	ISSUED FOR CONSTRUCTION	SD	MWH	NH
1	2020/01/25	RE-ISSUED FOR CONSTRUCTION	MWH	NH	
2	2020/01/27	RE-ISSUED FOR CONSTRUCTION	MWH	NH	
3	2020/02/03	RE-ISSUED FOR CONSTRUCTION	MWH	NH	

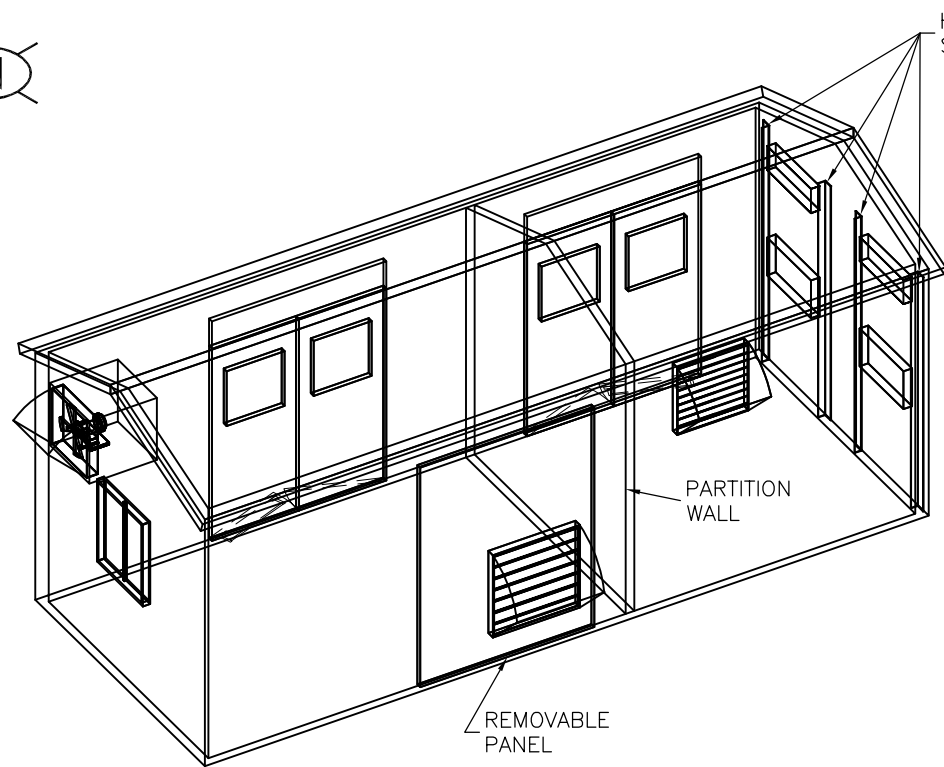
**CSM**  
PUMP PACKAGING INC

3321 - 11 Street  
Nisku, Alberta, Canada, T9E 1K7  
Tel: 780.979.1540 Fax: 780.979.1525  
Web: www.csmump.com

**MAIN SKID - FLOOR PLAN**  
SEVEN GENS  
c/o AZTEC ENGINEERING  
FRESH WATER TRANSFER PACKAGE

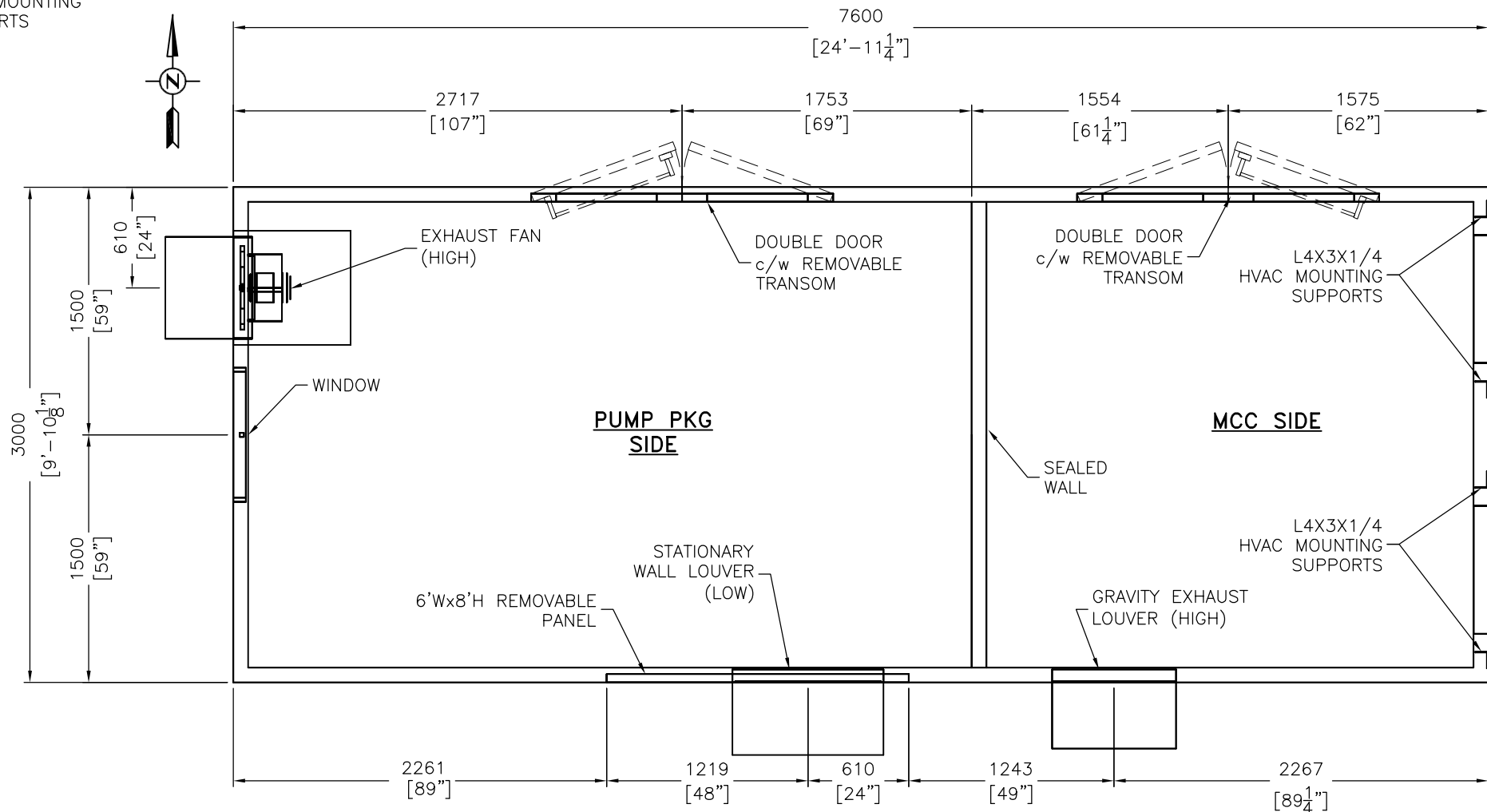
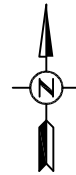
REF N°: CSM19-1288    DRAWN: SD    DATE: 2019/12/30

DWG NUM: J999-J1008-STR-003    SH: 1 of 1    SCALE: NTS    REV.: 3

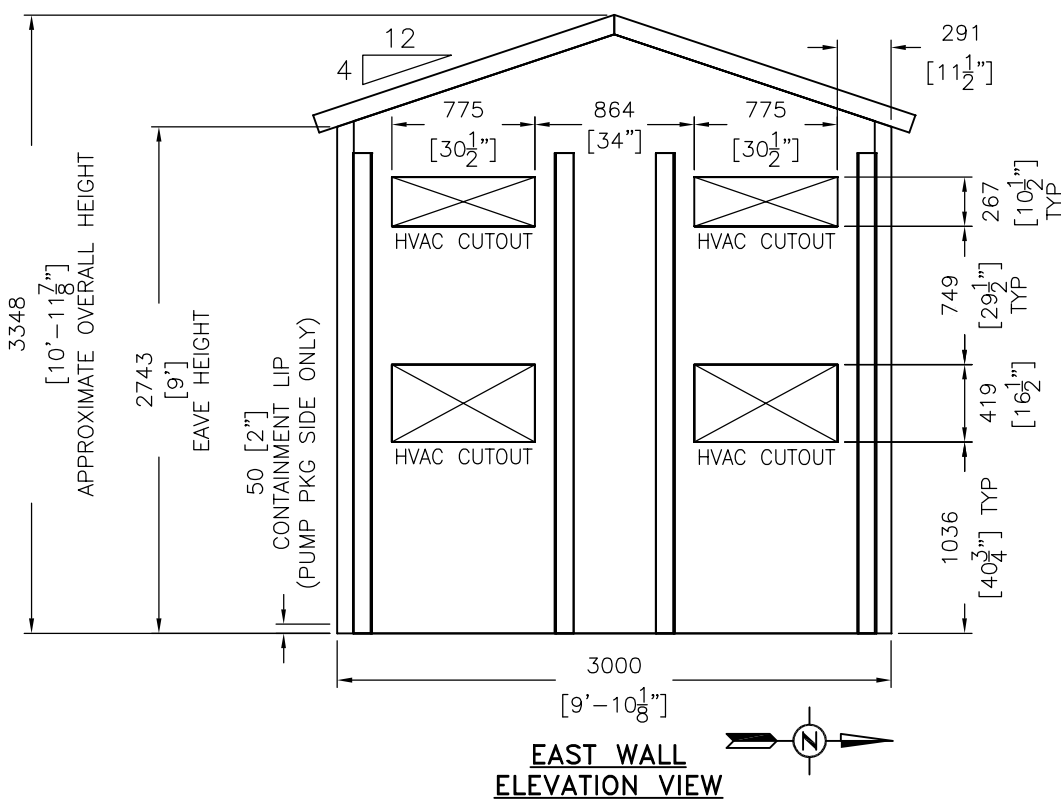


ISOMETRIC VIEW

HVAC MOUNTING SUPPORTS



PLAN VIEW



EAST WALL ELEVATION VIEW

BUILDING NOTES

- BUILDING SIZE: 9' 10-1/8" x 24' 11-1/4" x 9' EAVE GABLE STYLE SELF-FRAMING BUILDING
- INCLUDES 10' X 10' L SEALED MCC ROOM
- 22 GA. GALVALUME STEEL ROOF EXTERIOR WITH R-20 FIBERGLASS INSULATION
- 24 GA. FLUTED ALUMINUM NATURAL ROOF INTERIOR (6 mill POLY)
- 22 GA. GALVALUME STEEL EXTERIOR WALLS WITH R-12 FIBERGLASS INSULATION
- 24 GA. FLUTED ALUMINUM NATURAL WALL INTERIOR (6 mill POLY)
- REGENT GREY TRIM
- ICE RAKES, EAVES TROUGHS, DOWNSPOUTS, AND FLASHING
- QTY (2) 6' WIDE X 7' DOUBLE DOOR (R-3 INSULATION) C/W 12" REMOVABLE TRANSOM, HYDRAULIC DOOR CLOSURE WEATHER-STRIPPING, CHECK CHAIN, LOCKING PANIC HARDWARE, THRESHOLD, SWEEP & 18" X 20" I.W.G. GLAZED WINDOW IN DOOR
- QTY (1) 6' WIDE X 8' HIGH REMOVABLE PANEL
- QTY (1) 38" X 36" DOUBLE GLAZED SLIDING WINDOWS C/W SCREEN & LOCK
- QTY (1) 36" X 36" WESTVENT 435V STATIONARY WALL LOUVER c/w BUG SCREEN, SLIDING CLOSER, & STORM HOOD
- QTY (1) 30" X 30" GRAVITY EXHAUST LOUVER W/ COUNTER WEIGHTS, STORM HOOD & BIRD SCREEN
- QTY (1) GREENHECK EXHAUST FAN, MODEL SE1-18-429-VG c/w BACK DRAFT DAMPENER AND STORM HOOD, 3/4HP, 115V/1PH/60HZ
- QTY (4) HVAC CUT OUTS
- QTY (4) 4"X3"X1/4" ANGLE IRON SUPPORTS WELDED INSIDE WALL PRIOR TO WALL INSTALLATION
- WALL / ROOF PENETRATIONS
- INCLUDES A P. ENG. STAMPED BUILDING DESIGN/DRAWINGS

- NOTES:
1. ALL DIMENSIONS ARE IN MILLIMETERS UNLESS NOTED OTHERWISE.
  2. PLAN DIMENSIONS SHOWN ARE TO CENTERLINES OF BUILDING EQUIPMENT TYP.
  3. LAYOUT SHOWN IS INTENDED TO BE USED AS A DESIGN OUTLINE ONLY.
  4. BUILDING CONTRACTOR TO SUPPLY ENGINEERED STAMPED CONSTRUCTION DRAWINGS.

THIS DRAWING CONTAINS CSM PUMP PACKAGING PROPRIETARY AND CONFIDENTIAL INFORMATION AND IS LOANED FOR LIMITED PURPOSES ONLY AND REMAINS THE PROPERTY OF CSM. IT MAY NOT BE REPRODUCED IN WHOLE OR IN PART WITHOUT THE WRITTEN PERMISSION OF CSM AND MUST NOT BE DISCLOSED TO PERSONS NOT HAVING NEED OF SUCH DISCLOSURE CONSISTENT WITH THE PURPOSE OF THE LOAN. THE DOCUMENT MUST BE RETURNED TO CSM UPON REQUEST AND IN ALL EVENTS UPON COMPLETION OF THE USE FOR WHICH IT WAS LOANED.

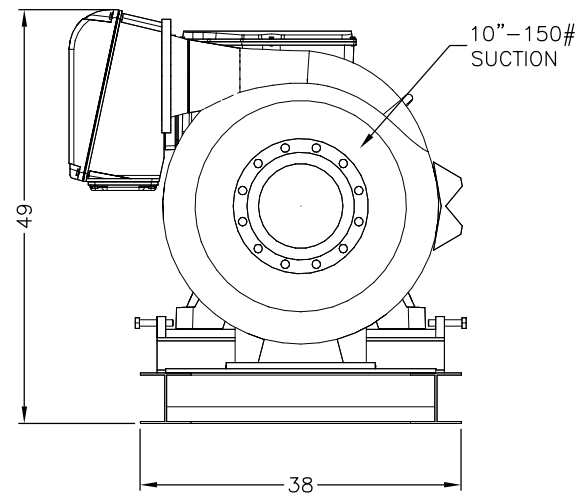
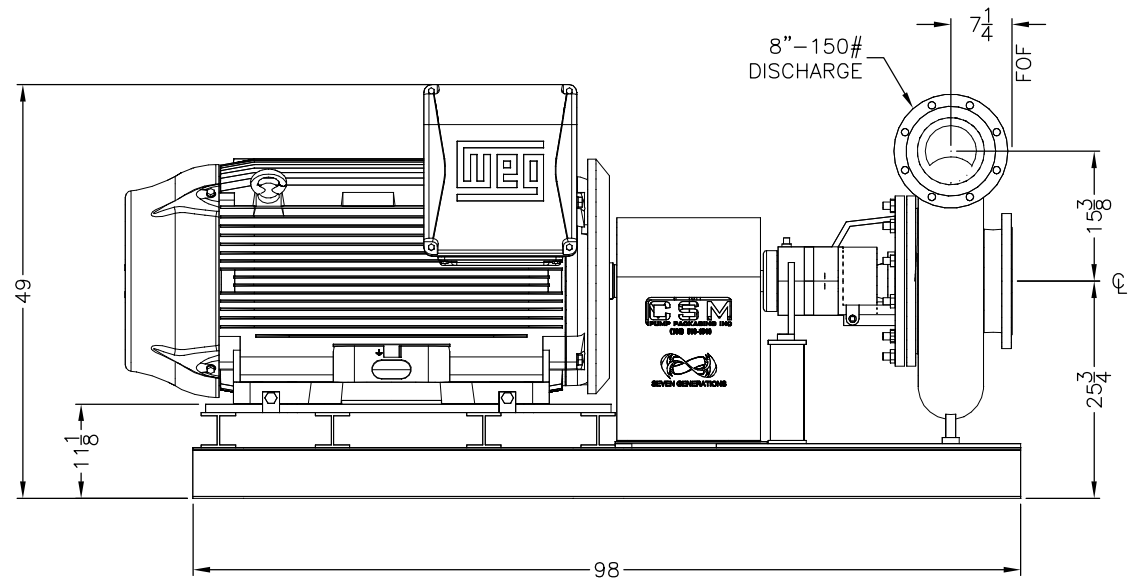
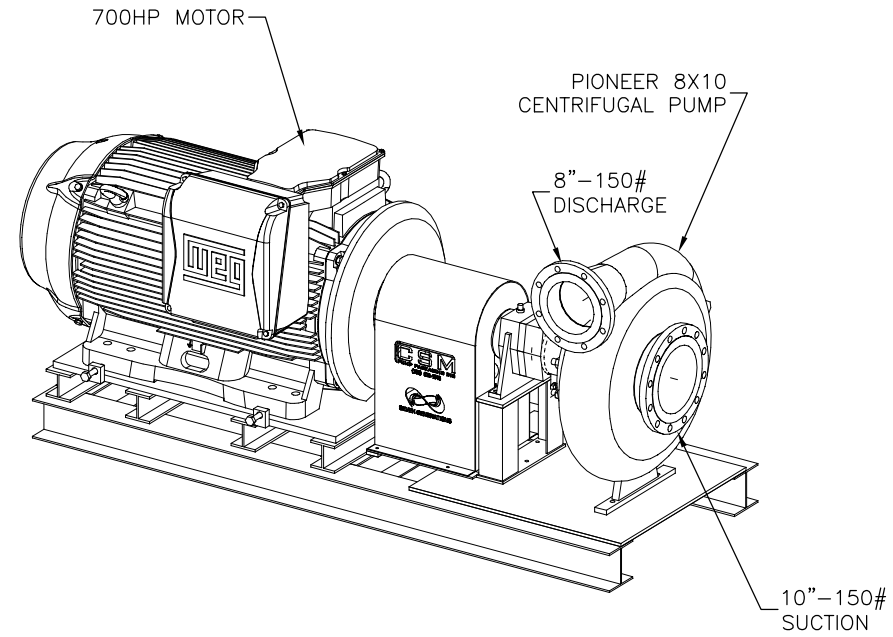
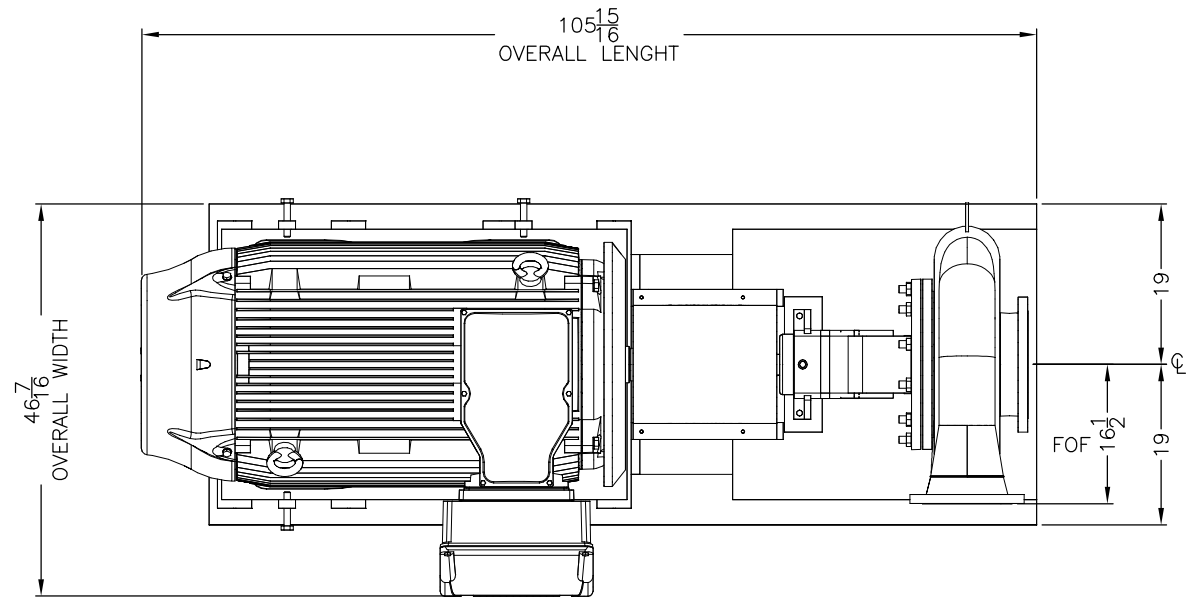
REV.	DATE	DESCRIPTION	BY	CHK.	APP.
A	2020/01/08	ISSUED FOR APPROVAL	SD	MWH	
0	2020/01/29	ISSUED FOR CONSTRUCTION	SD	MWH	
1	2020/02/10	REVISED FOR CONSTRUCTION	SD	MWH	
2	2020/04/06	RELOCATED GREENHECK EXHAUST FAN	AP	MWH	

**CSM**  
PUMP PACKAGING INC

3321 - 11 Street  
Nisku, Alberta, Canada, T9E 1K7  
Tel: 780.979.1540 Fax: 780.979.1525  
Web: www.csmpump.com

BUILDING - LAYOUT  
SEVEN GENS  
c/o AZTEC ENGINEERING  
FRESH WATER TRANSFER PACKAGE

REF N°: CSM19-1288 DRAWN: SD DATE: 2019/12/24  
DWG NUM: J999-1008-BLD-001 LSD: REV.:  
SHT.: 1 of 1 SCALE: NTS 2



Qty.	PUMP	
1	<b>PIONEER SC108C24L71-HO HEAVY DUTY CENTRIFUGAL PUMP</b> - 10" ANSI 150# FF SUCTION FLANGE AND 8" 150# FF DISCHARGE FLANGE - DESIGNED FOR 1800 RPM PUMP SPEED - CASING: DUCTILE IRON ASTM A536 65-45-12 - BACKPLATE: DUCTILE IRON ASTM A536 65-45-12 - IMPELLER: CA6NM MARTENSITIC STAINLESS STEEL (TRIM: 24") - SHAFT: 17-4 PH MARTENSITIC STAINLESS STEEL - WEAR RING: ASTM A48 CLASS 40 GRAY IRON - SINGLE MECHANICAL SEAL (TC/SIC/VITON/SS)	
	<b>DESIGN CONDITIONS</b> LIQUID: FRESH WATER (SWEET SERVICE) FLOW RATE: 20,000 M3/DAY (3669 USGPM) SUCTION PRESSURE: ~14.7 PSIG DISCHARGE PRESSURE: 462 FT (200 PSIG) REQUIRED HP: 624 HP (700 HP MOTOR QUOTED) S.G.: 1.0 VISCOSITY: 1.0 CP TEMPERATURE: ASSUMED 5-38°C NPSHa: ~34 FT NPSHr: 18.4 FT @ 20,000 M3/DAY H2S %: NONE SOLIDS (TYPE/SIZE): ASSUMED MINIMAL AREA CLASS: CLASS I DIV. 2, 460V, TEFC, VFD COMPATIBLE SERVICE DUTY: ASSUMED CONTINUOUS (MORE THAN 4 HOURS PER DAY) CONTAMINANTS: AVERAGE RUNTIME) ASSUMED MINIMAL	
1	<b>MOTOR</b> WEG PREMIUM EFFICIENCY ELECTRIC MOTOR - MODEL HT700404NPBBW22 - 700 HP, 3PH/60HZ/480V, 1800 RPM, TEFC ENCLOSURE - FRAME SIZE 588/9T - INSULATED DRIVE END HOUSINGS FOR INVERTER PROTECTION - CLASS F INSULATION - CLASS I DIVISION II CLASSIFICATION, VFD COMPATIBLE NEMA MOTOR ORIENTATION: F1	
1	<b>COUPLER</b> DRIVER: 1100T HUB 2 1/2 FALK DRIVEN: 1100T HUB 3 7/8 FALK GRID: 1100T10 CVR-GRID ASSEMBLY SHAFT TO SHAFT SPACING 9/16"	
1	<b>WEIGHT/UNIT (lbs)</b> SKID: 1126 MOTOR: 4584 PUMP (APPROXIMATE): 1250 COUPLER: 69 TOTAL: 7029	

- NOTES:**
- ALL DIMENSIONS ARE IN INCHES (METRIC) UNLESS NOTED OTHERWISE.
  - SKID TO BE SANDBLASTED & PAINTED IN ACCORDANCE SSPC-SP6 (COMMERCIAL BLAST GRADE). PRIME SKID WITH 1 COAT GREY PRIMER @ 4-6 MILS DFT. FINISH TOP SKID WITH 2 COATS GREY ENAMEL @ 2-3 MILS DFT.
  - WELDED TO CWB.

THIS DRAWING CONTAINS CSM PUMP PACKAGING PROPRIETARY AND CONFIDENTIAL INFORMATION AND IS LOANED FOR LIMITED PURPOSES ONLY AND REMAINS THE PROPERTY OF CSM. IT MAY NOT BE REPRODUCED IN WHOLE OR IN PART WITHOUT THE WRITTEN PERMISSION OF CSM AND MUST NOT BE DISCLOSED TO PERSONS NOT HAVING NEED OF SUCH DISCLOSURE CONSISTENT WITH THE PURPOSE OF THE LOAN. THE DOCUMENT MUST BE RETURNED TO CSM UPON REQUEST AND IN ALL EVENTS UPON COMPLETION OF THE USE FOR WHICH IT WAS LOANED.

REV.	DATE	DESCRIPTION	BY	CHK.	APP.
A	2020/01/07	ISSUED FOR APPROVAL	MWH	NH	
0	2020/01/29	ISSUED FOR CONSTRUCTION	MWH	NH	

**CSM**  
PUMP PACKAGING INC

3321 - 11 Street  
Nisku, Alberta, Canada, T9E 1K7  
Tel: 780.979.1540 Fax: 780.979.1525  
Web: www.csmump.com

PIONEER PUMP UNITIZATION DRAWING  
SEVEN GENS  
c/o AZTEC ENGINEERING  
FRESH WATER TRANSFER PACKAGE

REF N°: CSM19-1288	DRAWN: SD	DATE: 2019/12/23
DWG NUM: J1001-1008-UNIT-001	LSD:	REV.: 0
SHT.: 1 of 1	SCALE: NTS	