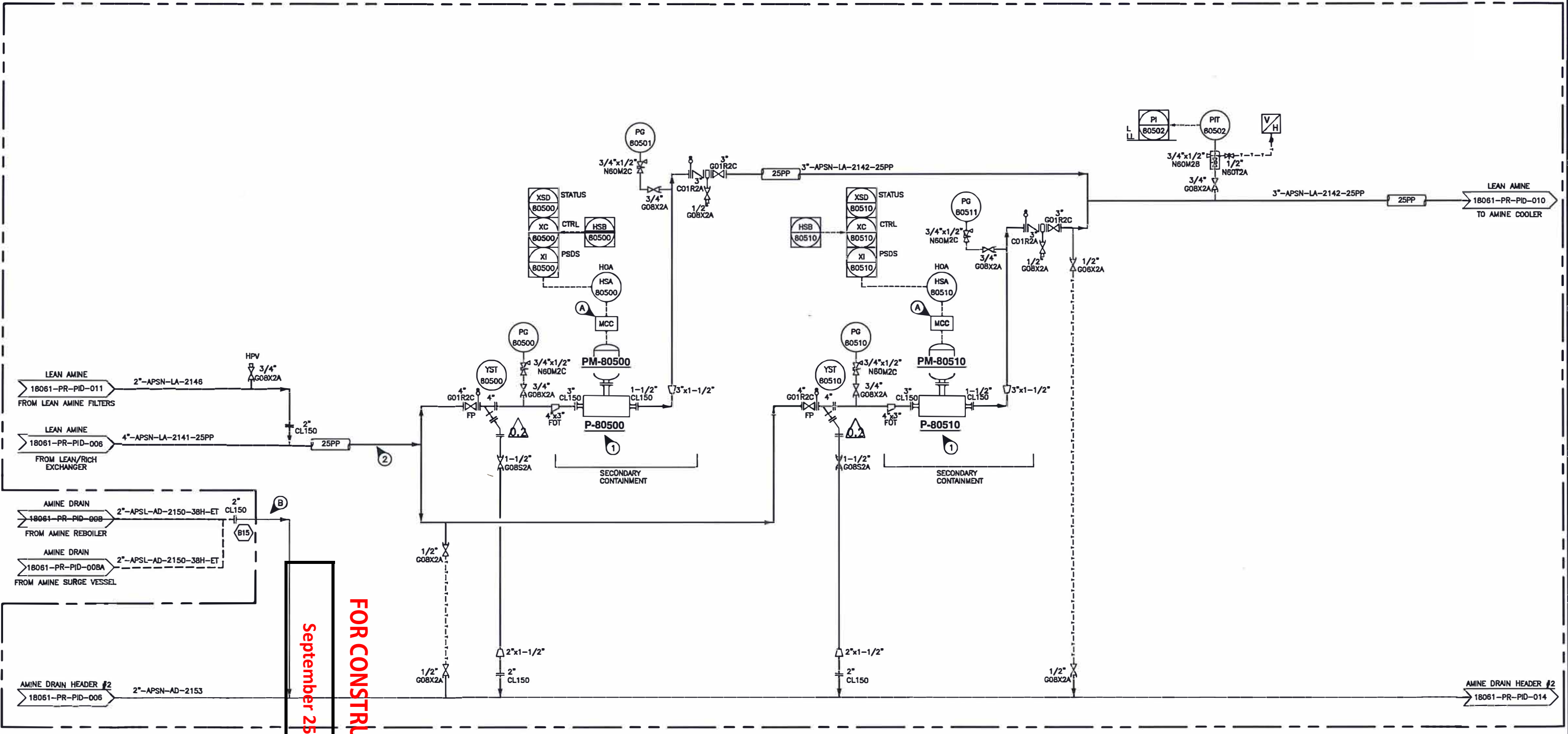


P-80500/80510
 LEAN AMINE BOOSTER PUMPS (2X100%)
 MANUFACTURER: SUNDYNE
 MODEL: ANSI M9, K-315BS
 CAPACITY: 265L (100 USG)/MIN @ 208 FT
 MIN FLOW: 114L (30 USG)/MIN
 RATING: 100 USG/MIN AT 208 FT
 (2X100%)
 ESTIMATED WEIGHT: 473 KG (1042 LBS)

PM-80500/80510
 LEAN AMINE BOOSTER PUMP MOTORS
 MANUFACTURER INODEL/ENCLOSURE/FRAME: WEG W22/TEFC/254TC
 POWER: 20HP (15 KW)
 VOLTAGE: 460V/3PH/60HZ
 RPM: 3600RPM

(AMINE SKID LIMITS)



FOR CONSTRUCTION

September 25, 2019

GENERAL NOTES

- A. SUPPLIED AND WIRED BY OTHERS.
 - B. ALL PIPING PROJECTING OUTSIDE OF THE BUILDING TO BE LOW TEMP MATERIAL BACK TO THE FIRST JOINT INSIDE BUILDING.
 - C. LEAN AMINE (LA) PIPING DOES NOT REQUIRE P.W.H.T..
 - 1. MIN FLOW REQUIREMENT FOR AMINE BOOSTER PUMPS IS 30 USGPM. (FI-80600 + FI-0700) > 30 USGPM
 - 2. AMINE FEED TO THE PUMPS NEED TO BE WARM (120°F) TO MEET NPSH REQUIREMENT ON PUMP TO AVOID CAVITATION DRIVING START-UP.
- *VALVES AND INSTRUMENTS SUPPLIED BY STARTEC AND SHIPPED LOOSE
 ** VALVES AND INSTRUMENTS SUPPLIED BY OTHERS
 --- FIELD PIPING BY OTHERS

NO.	DATE	BY	AP'D	DESCRIPTION	NO.	DATE	BY	AP'D	DESCRIPTION
A	19-01-07	DD	SR	ISSUED FOR APPROVAL					
B	19-01-21	DD		ISSUED FOR APPROVAL					
C	19-03-04	KJH		GENERAL REVISIONS					
O	19-04-17	GE		ISSUED FOR CONSTRUCTION					
O.1	19-05-13	GE		ISSUED FOR HAZOP					
O.2	19-09-16	GE		REVISED AS SHOWN					

55 GPM AMINE GAS PLANT

CHECKED: - DATE: -
 ENG. APPL: SA DATE: 9/25/19
 PACKAGE NO.: -
 REFERENCE NO.: -

STARTEC
 COMPRESSION & PROCESS LTD.
 APEGA NO. P13139

CUSTOMER: -
 TITLE: PIPING & INSTRUMENTATION DIAGRAM
 LEAN AMINE BOOSTER PUMPS
 SCALE: N.T.S. DRAWING NO.: 18061-PR-PID-009 REV. 0.2