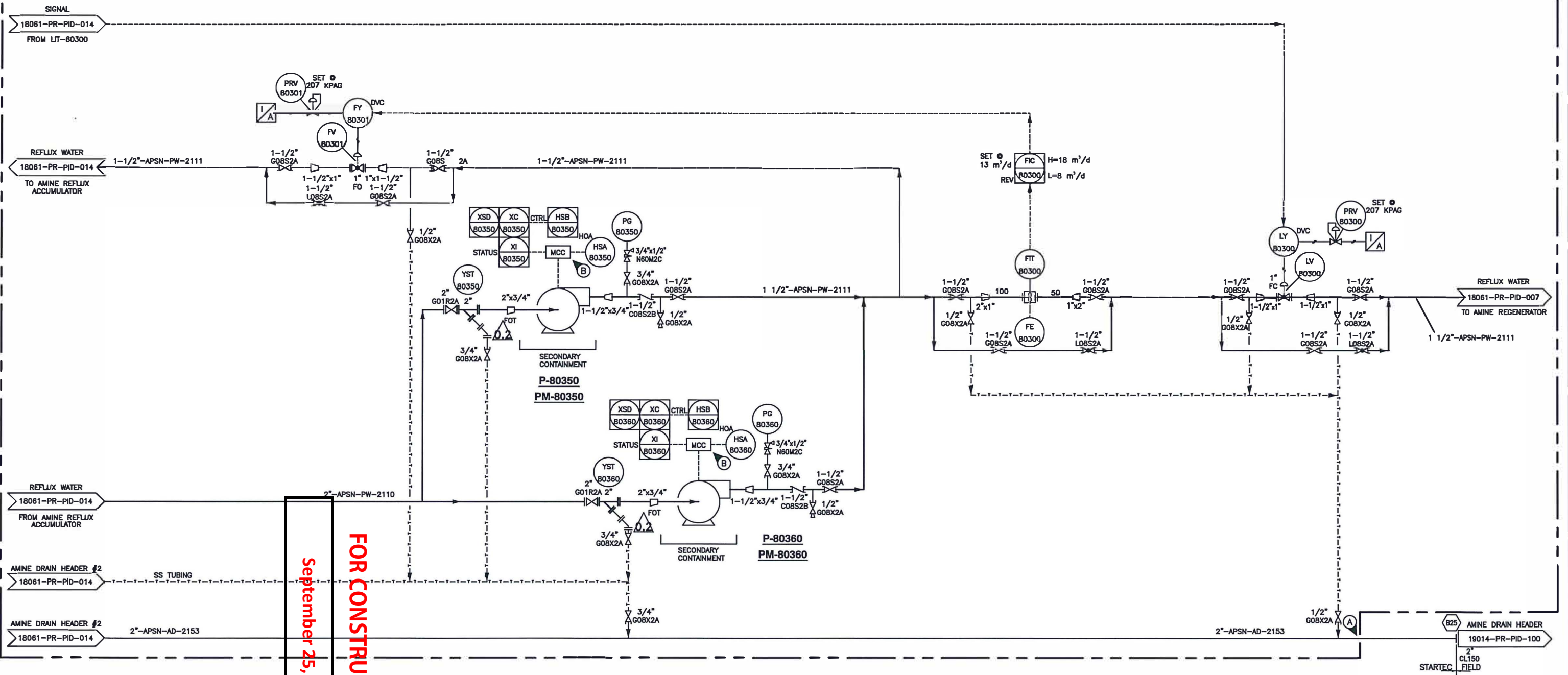


P-80350/80360
 AMINE REFLUX PUMP
 MANUFACTURER: DEANLINE
 MODEL: 3/4 DL
 CAPACITY: 19L (5G)/MIN
 RATING: 374 kPAD (125ft TDH)
 (2 X 100%)

PM-80350/80360
 AMINE REFLUX PUMP MOTOR
 MANUFACTURER: TBA, M CLASS 1, DV 1, TEXP
 POWER: 2HP
 VOLTAGE: 460V/3PH/60HZ
 RPM: 3600RPM

(AMINE S LIMITS)



September 25, 2019

FOR CONSTRUCTION

GENERAL NOTES

- A. ALL PIPING PROJECTING OUTSIDE OF THE BUILDING TO BE LOW TEMP MATERIAL BACK TO THE FIRST JOINT INSIDE BUILDING.
- B. SUPPLIED AND WIRED BY OTHERS.

* VALVES AND INSTRUMENTS SUPPLIED BY STARTEC AND SHIPPED LOOSE
 ** VALVES AND INSTRUMENTS SUPPLIED BY OTHERS
 --- FIELD PIPING BY OTHERS

NO.	DATE	BY	AP'D	DESCRIPTION	NO.	DATE	BY	AP'D	DESCRIPTION
A	19-01-07	DD	SR	ISSUED FOR APPROVAL					
B	19-01-21	DD		ISSUED FOR APPROVAL					
C	19-03-04	KJH		GENERAL REVISIONS					
O	19-04-17	GE		ISSUED FOR CONSTRUCTION					
0.1	19-05-13	GE		ISSUED FOR HAZOP					
0.2	19-09-16	GE		REVISED AS SHOWN					

SS GPM AMINE GAS PLANT	
DRAWN: DD	DATE: 19-01-21
CHECKED: -	DATE: -
ENG. APP'L: SJK	DATE: 19-09-19
PACKAGE NO.: -	
REFERENCE NO.: -	

STARTEC
 COMPRESSION & PROCESS LTD.
 APEGA NO. P13139

CUSTOMER: -

TITLE: PIPING & INSTRUMENTATION DIAGRAM
 AMINE REFLUX PUMPS

SCALE: N.T.S. DRAWING NO.: 18061-PR-PID-015 REV. 0.2