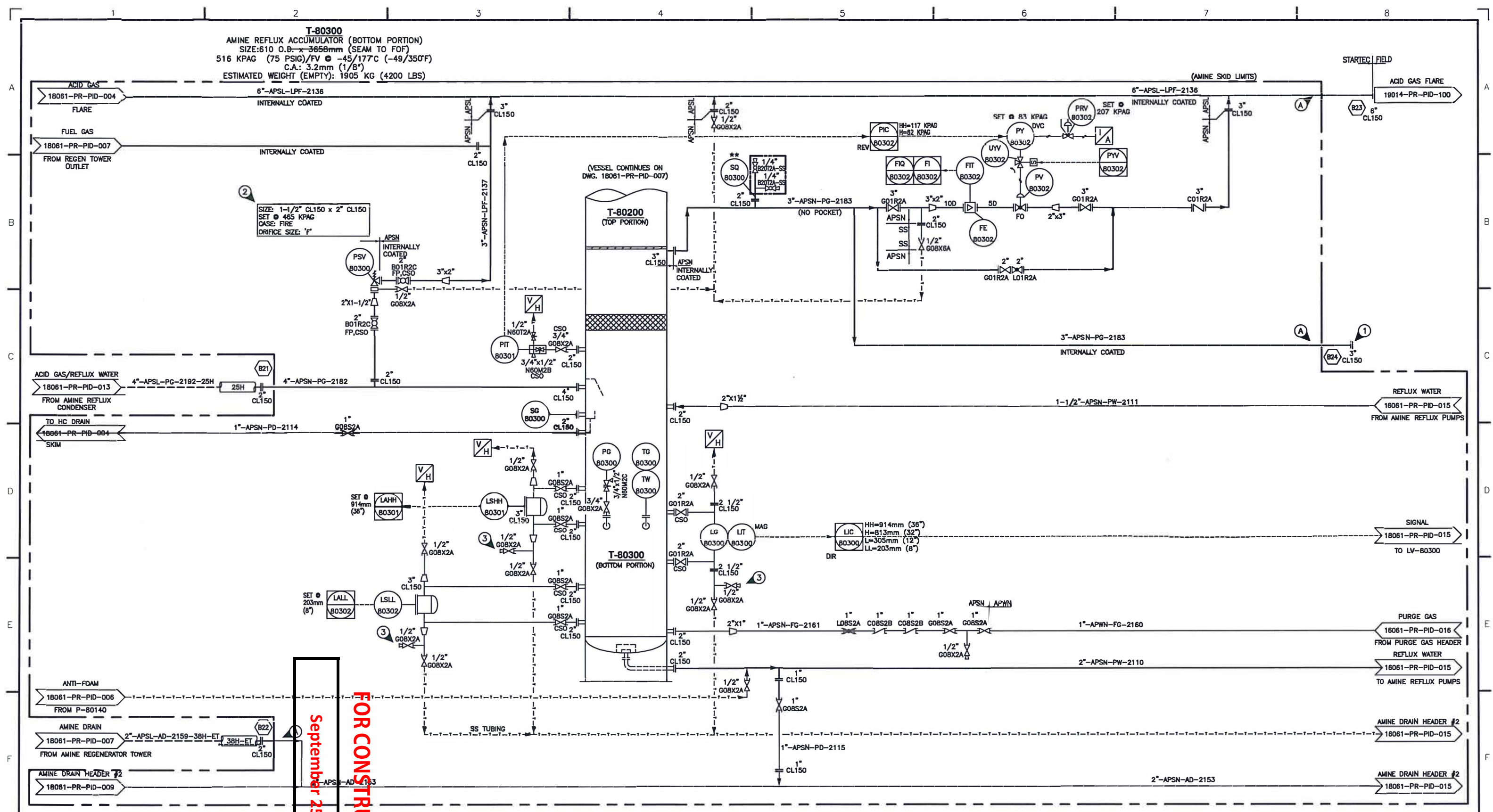


T-80300
 AMINE REFLUX ACCUMULATOR (BOTTOM PORTION)
 SIZE: 610 O.D. x 3656mm (SEAM TO FOF)
 516 KPAG (75 PSIG)/FV @ -45/177C (-49/350F)
 C.A.: 3.2mm (1/8")
 ESTIMATED WEIGHT (EMPTY): 1905 KG (4200 LBS)



September 25, 2019
FOR CONSTRUCTION

GENERAL NOTES

- A. ALL PIPING PROJECTING OUTSIDE OF THE BUILDING TO BE LOW TEMP MATERIAL BACK TO THE FIRST JOINT INSIDE BUILDING.
 - 1. FOR FUTURE ACID GAS COMPRESSION.
 - 2. SET POINT AT 90% OF PSV-80400.
 - 3. FOR LEVEL CALIBRATION.
- * VALVES AND INSTRUMENTS SUPPLIED BY STARTEC AND SHIPPED LOOSE
 ** VALVES AND INSTRUMENTS SUPPLIED BY OTHERS
 --- FIELD PIPING BY OTHERS

NO.	DATE	BY	AP'D	DESCRIPTION	NO.	DATE	BY	AP'D	DESCRIPTION
A	19-01-07	DD	SR	ISSUED FOR APPROVAL					
B	19-01-21	DD		ISSUED FOR APPROVAL					
C	19-03-04	KJH		GENERAL REVISIONS					
D	19-04-17	GE		ISSUED FOR CONSTRUCTION					
0.1	19-05-13	GE		ISSUED FOR HAZOP					
0.2	19-09-16	GE		NO CHANGES ON THIS SHEET					

55 RPM AMINE GAS PLANT

DRAWN: DD DATE: 19-01-21

CHECKED: - DATE: -

ENG. APP'L: SA DATE: 19-09-19

PACKAGE NO.: -

REFERENCE NO.: -

STARTEC
 COMPRESSION & PROCESS LTD.
 APEGA NO. P13139

CUSTOMER: -

TITLE: PIPING & INSTRUMENTATION DIAGRAM
 AMINE REFLUX ACCUMULATOR

SCALE: N.T.S. DRAWING NO.: 18061-PR-PID-014 REV. D.2