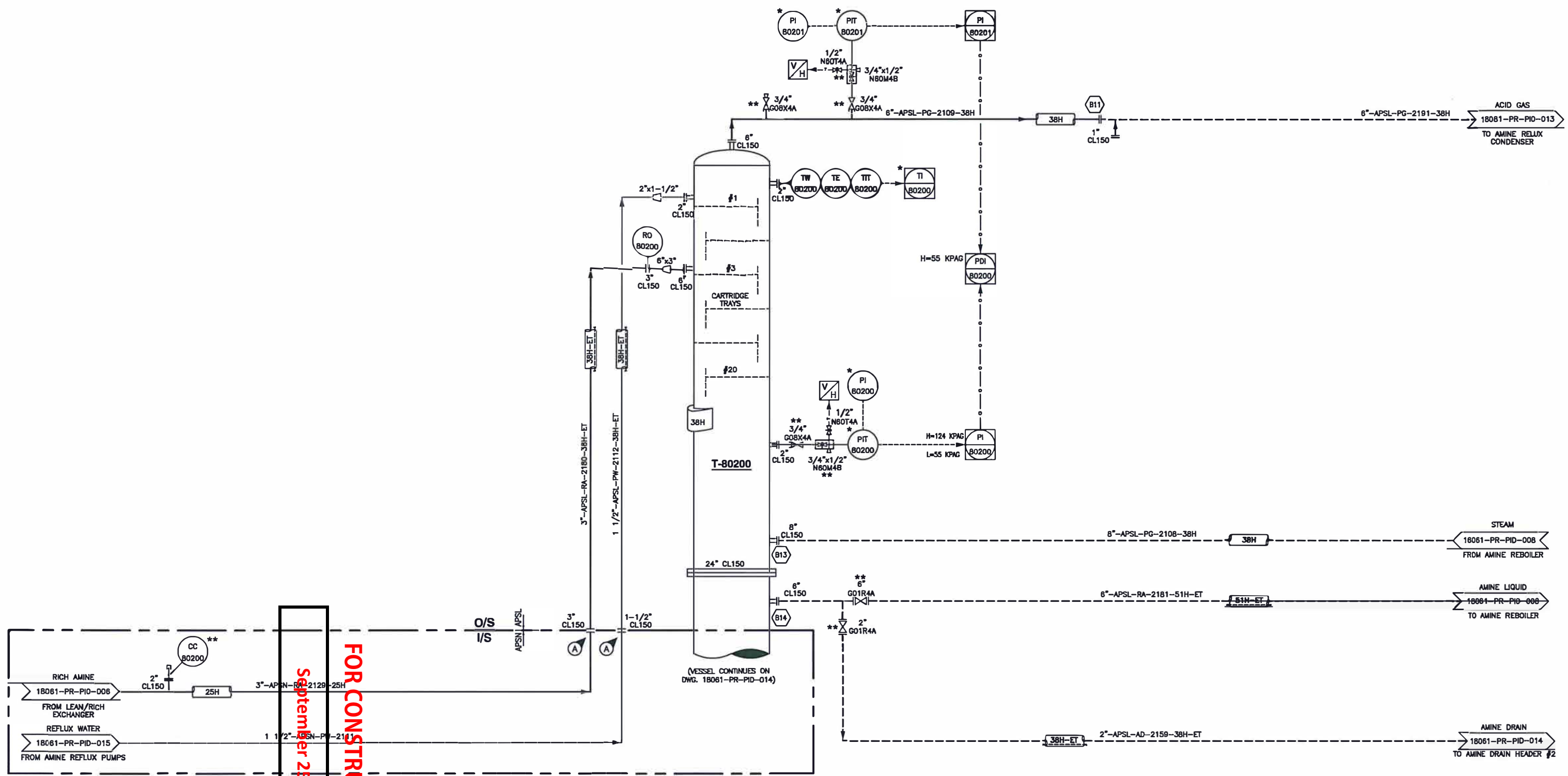


T-80200
 AMINE REGENERATOR TOWER (TOP PORTION)
 SIZE: 610mm (24") OD x 14072mm (46'-2") S/FOF
 DESIGN: 516 KPAG (75 PSIG)/FV @ -45/177°C (-49/350°F)
 C.A.: 3.2mm (1/8")
 ESTIMATED WEIGHT (EMPTY): 5126 KG (11300 LBS)



September 25, 2019
FOR CONSTRUCTION

GENERAL NOTES

- A. ALL PIPING PROJECTING OUTSIDE OF THE BUILDING TO BE LOW TEMP MATERIAL BACK TO THE FIRST JOINT INSIDE BUILDING.
- B. LEAN AMINE (LA) PIPING DOES NOT REQUIRE P.W.H.T..
- C. FISHER 627 REGULATOR

* VALVES AND INSTRUMENTS SUPPLIED BY STARTEC AND SHIPPED LOOSE
 ** VALVES AND INSTRUMENTS SUPPLIED BY OTHERS
 --- FIELD PIPING BY OTHERS

NO.	DATE	BY	AP'D	DESCRIPTION	NO.	DATE	BY	AP'D	DESCRIPTION
A	19-01-07	DD	SR	ISSUED FOR APPROVAL					
B	19-01-21	DD		ISSUED FOR APPROVAL					
C	19-03-04	KJH		GENERAL REVISIONS					
O	19-04-17	GE		ISSUED FOR CONSTRUCTION					
O.1	19-05-13	GE		ISSUED FOR HAZOP					
O.2	19-09-04	GE		NO CHANGES ON THIS SHEET					

55 GPM AMINE		COMPRESSION & PROCESS LTD. APEGA NO. P13139
DRAWN: DD	DATE: 19-01-21	
CHECKED: --	DATE: --	CUSTOMER: --
ENG. APP'L: SA	DATE: Sept 25, 19	TITLE: PIPING & INSTRUMENTATION DIAGRAM AMINE REGENERATOR TOWER
PACKAGE NO.: --		SCALE: N.T.S. DRAWING NO.: 18061-PR-PID-007 REV. 0.2
REFERENCE NO.: --		