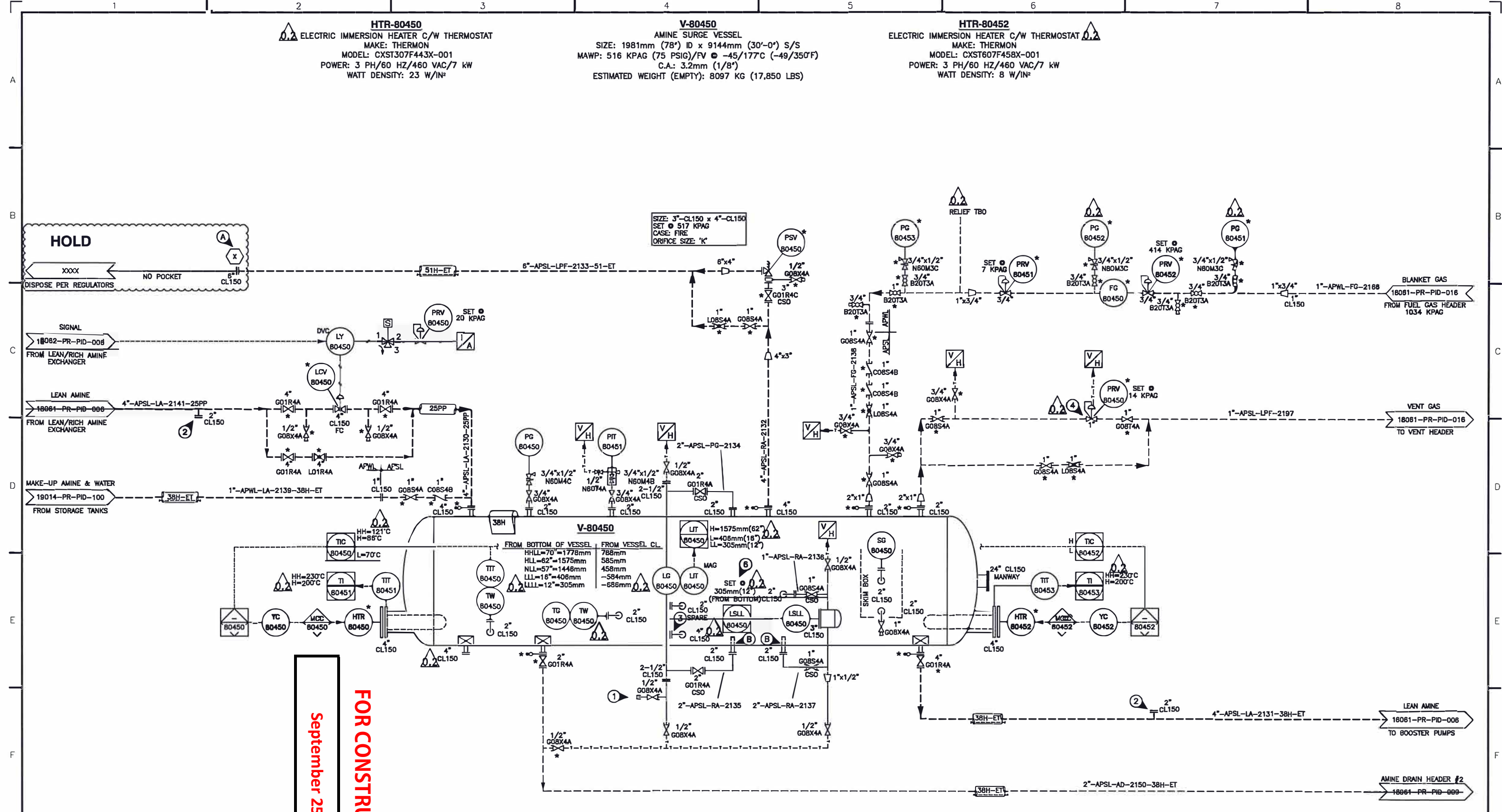


HTR-80450
 ELECTRIC IMMERSION HEATER C/W THERMOSTAT
 MAKE: THERMON
 MODEL: CXST307F443X-001
 POWER: 3 PH/60 HZ/460 VAC/7 KW
 WATT DENSITY: 23 W/IN²

V-80450
 AMINE SURGE VESSEL
 SIZE: 1981mm (78") ID x 9144mm (30'-0") S/S
 MAWP: 516 KPAG (75 PSIG)/FV @ -45/177°C (-49/350°F)
 C.A.: 3.2mm (1/8")
 ESTIMATED WEIGHT (EMPTY): 8097 KG (17,850 LBS)

HTR-80452
 ELECTRIC IMMERSION HEATER C/W THERMOSTAT
 MAKE: THERMON
 MODEL: CXST607F458X-001
 POWER: 3 PH/60 HZ/460 VAC/7 KW
 WATT DENSITY: 8 W/IN²



September 25, 2019

FOR CONSTRUCTION

GENERAL NOTES

- A. ALL PIPING PROJECTING OUTSIDE OF THE BUILDING TO BE LOW TEMP MATERIAL BACK TO THE FIRST JOINT INSIDE BUILDING.
- B. LEVEL CONNECTIONS ON BOTTOM OF VESSEL REQUIRED 3" LENGTH STANDPIPPS.
- 1. FOR LEVEL CALIBRATION.
- 2. PROVISION FOR 100% STAND BY LEAN/RICH AMINE EXCHANGER.
- 3. SPARE/FUTURE HEATER
- 4. SPARE/ADDITIONAL DRAIN
- 5. PRV-80450 RATED FOR -20°F. LINE NEEDS TO BE HEAT TRACED.
- 6. BOTTOM LEVEL SHOULD COVER HTR ELEMENTS.

* VALVES AND INSTRUMENTS SUPPLIED BY STARTEC AND SHIPPED LOOSE
 ** VALVES AND INSTRUMENTS SUPPLIED BY OTHERS
 --- FIELD PIPING BY OTHERS

NO.	DATE	BY	AP'D	DESCRIPTION	NO.	DATE	BY	AP'D	DESCRIPTION
A	19-04-02	SF		ISSUED FOR APPROVAL					
O	19-05-08	DD		ISSUED FOR CONSTRUCTION					
O.1	19-05-13	GE		ISSUED FOR HAZOP					
O.2	19-09-16	GE		REVISED AS SHOWN					

50 GPM AMINE GAS PLANT

STARTEC
 COMPRESSION & PROCESS LTD.
 APEGA NO. P13139

DRAWN: DD DATE: 19-05-08 CUSTOMER:
 CHECKED: - DATE:
 ENG. APPL: [Signature] DATE: [Signature]
 PACKAGE NO.: - TITLE: PIPING & INSTRUMENTATION DIAGRAM
 REFERENCE NO.: - RICH AMINE FLASH TANK & RICH AMINE SURGE VESSEL
 SCALE: N.T.S. DRAWING NO.: 18061-PR-PID-008A REV. 0.2