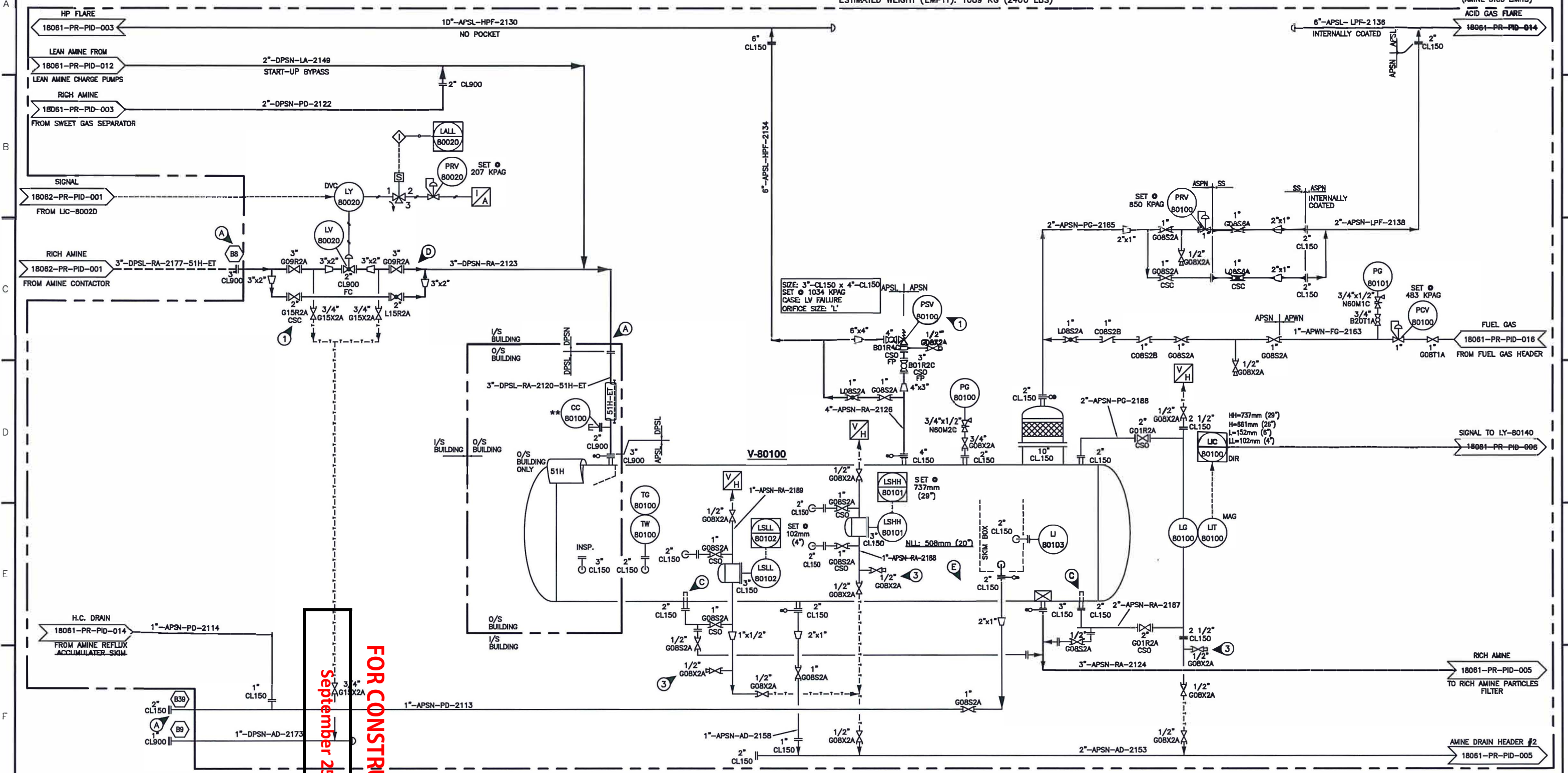


V-80100
RICH AMINE FLASH TANK
 SIZE: 914mm (36") OD x 3048mm (10') S/S
 MAWP: 1034 KPAG (150 PSIG)/FV @ -45/93°C (-49/200°F)
 C.A.: 3.2mm (1/8")
 ESTIMATED WEIGHT (EMPTY): 1089 KG (2400 LBS)



September 25, 2019
FOR CONSTRUCTION

- GENERAL NOTES**
- ALL PIPING PROJECTING OUTSIDE OF THE BUILDING TO BE LOW TEMP MATERIAL BACK TO THE FIRST JOINT INSIDE BUILDING.
 - LEAN AMINE (LA) PIPING DOES NOT REQUIRE P.W.H.T.
 - LEVEL CONNECTIONS ON BOTTOM OF VESSEL REQUIRED STANDPIPES.
 - LOCATE NEAR FLASH TANK
 - CATADYNE HEATER WITH FAN TO HEAT FLASH TANK
- PSV-80100 ON AMINE FLASH TANK SIZED BASED ON LV-80020 FAIL OPEN. IF BYPASS VALVE IS LEFT OPEN WHEN THE SCENARIO HAPPENS, DOWNSTREAM SYSTEM COULD BE OVER PRESSURIZED.
 - OMITTED.
 - FOR LEVEL CALIBRATION.

* VALVES AND INSTRUMENTS SUPPLIED BY STARTEC AND SHIPPED LOOSE
 ** VALVES AND INSTRUMENTS SUPPLIED BY OTHERS
 --- FIELD PIPING BY OTHERS

NO.	DATE	BY	AP'D	DESCRIPTION	NO.	DATE	BY	AP'D	DESCRIPTION
A	19-01-07	DD	SR	ISSUED FOR APPROVAL					
B	19-01-21	DD		ISSUED FOR APPROVAL					
C	19-03-04	KJH		GENERAL REVISIONS					
D	19-04-17	GE		ISSUED FOR CONSTRUCTION					
0.1	19-05-13	GE		ISSUED FOR HAZOP					
0.2	19-09-04	GE		NO CHANGES ON THIS SHEET					

55 GPM AMINE GAS PLANT

STARTEC
 COMPRESSION & PROCESS LTD.
 APOB NO. P13139

DRAWN: DD DATE: 19-01-21
 CHECKED: SPC DATE: 19-09-19
 ENG. APP'L: DATE:
 PACKAGE NO.:
 REFERENCE NO.:

CUSTOMER:
 TITLE: PIPING & INSTRUMENTATION DIAGRAM RICH AMINE FLASH TANK & RICH AMINE PARTICLE FILTER
 SCALE: N.T.S. DRAWING NO.: 18061-PR-PID-004 REV. 0.2