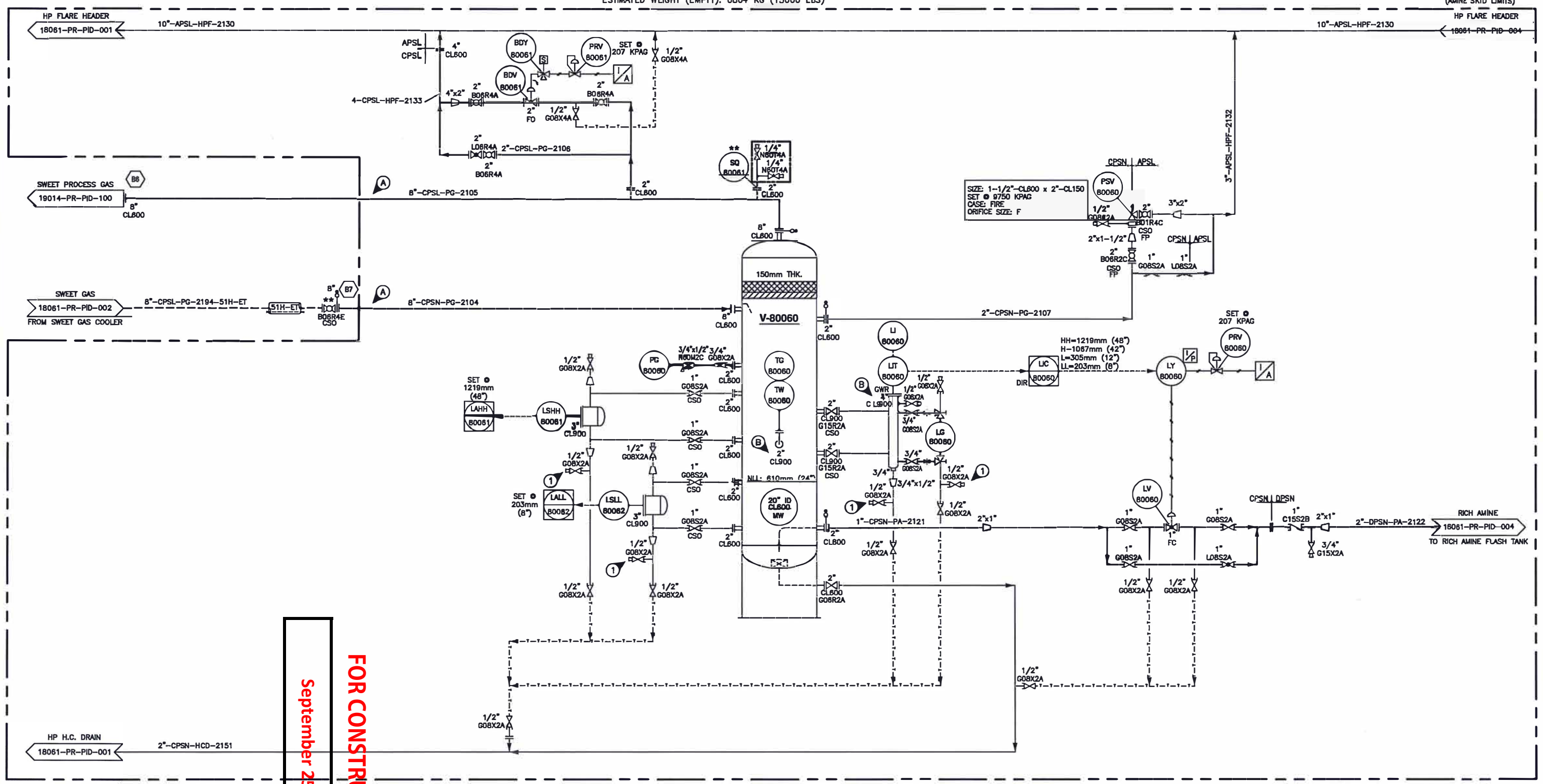


V-80060
 SWEET GAS SEPARATOR
 SIZE: 1067mm (42") ID x 3048mm (10') S/S
 DESIGN: 9750 KPAG (1414 PSIG)/FV @ -29/60°C (-20/140°F)
 C.A.: 3.2mm (1/8")
 ESTIMATED WEIGHT (EMPTY): 6804 KG (15000 LBS)



September 25, 2019

FOR CONSTRUCTION

GENERAL NOTES

- A. ALL PIPING PROJECTING OUTSIDE OF THE BUILDING TO BE LOW TEMP MATERIAL BASED TO THE FIRST JOINT INSIDE BUILDING.
 - B. TW AND LIT ARE STAINLESS STEEL AND REQUIRE CL900 CONNECTIONS.
1. FOR LEVEL CALIBRATION.

* VALVES AND INSTRUMENTS SUPPLIED BY STARTEC AND SHIPPED LOOSE
 ** VALVES AND INSTRUMENTS SUPPLIED BY OTHERS
 --- FIELD PIPING BY OTHERS

NO.	DATE	BY	AP'D	DESCRIPTION	NO.	DATE	BY	AP'D	DESCRIPTION
A	19-01-07	DD	SR	ISSUED FOR APPROVAL					
B	19-01-21	DD		ISSUED FOR APPROVAL					
C	19-03-04	KJH		GENERAL REVISIONS					
D	19-04-17	GE		ISSUED FOR CONSTRUCTION					
0.1	19-05-13	GE		ISSUED FOR HAZOP					
0.2	19-09-04	GE		NO CHANGES ON THIS SHEET					

55 GPM AMINE GAS PLANT		STARTEC COMPRESSION & PROCESS LTD. APEGA NO. P13139
DRAWN: DD	DATE: 19-01-21	
CHECKED: SK	DATE: Sept 20, 2019	CUSTOMER:
ENG. APP'L:	DATE:	TITLE: PIPING & INSTRUMENTATION DIAGRAM SWEET GAS SEPARATOR
PACKAGE NO.:		SCALE: N.T.S.
REFERENCE NO.:		DRAWING NO.: 18061-PR-PID-003
		REV. 0.2