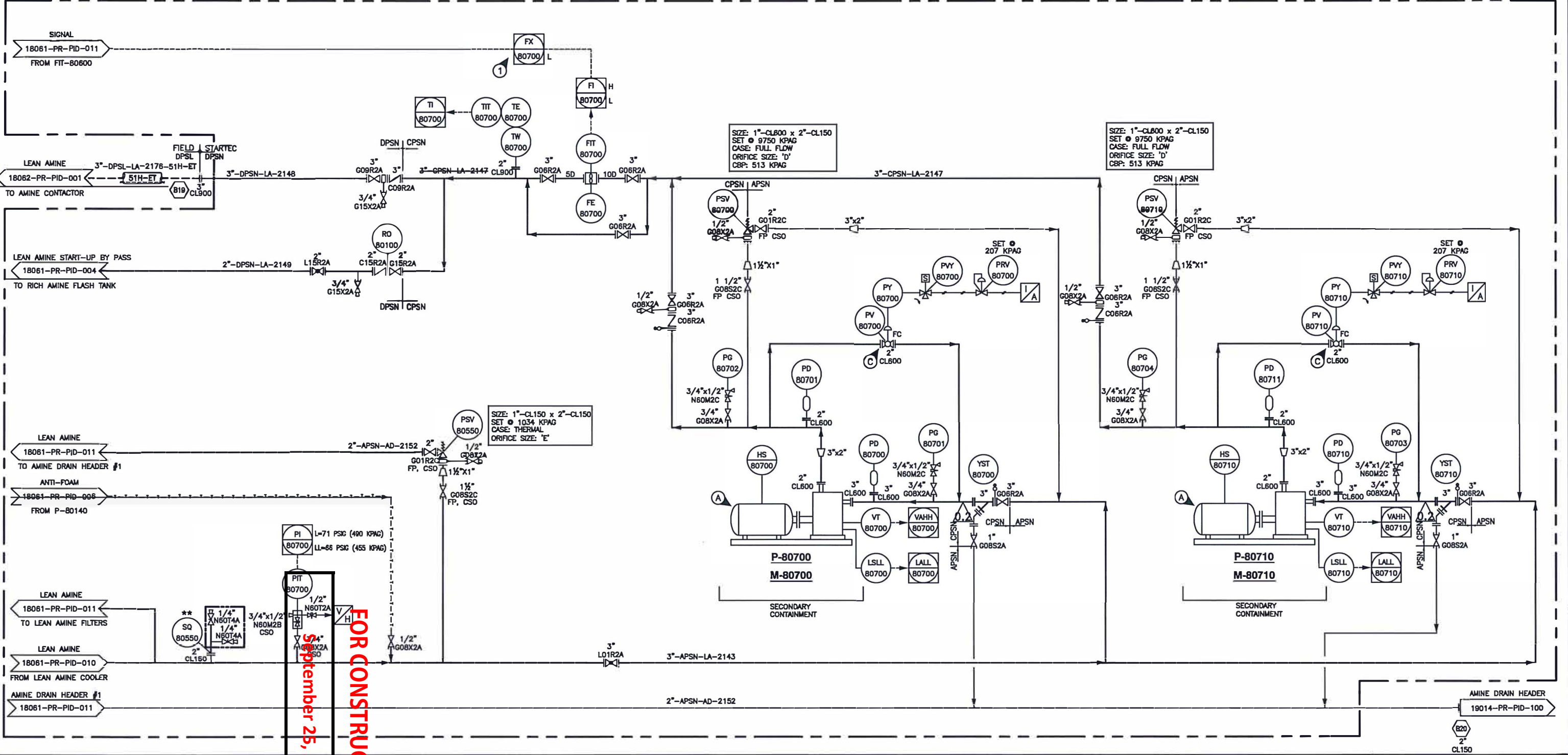


P-80700/80710
 LEAN AMINE CHARGE PUMP (2X100%)
 MANUFACTURER: FMC
 MODEL: M1218-CS
 CAPACITY: 208L (55G)/MIN
 RATING: 8825 KPAG (2331 PSIG)
 RPM: 375
 ESTIMATED WEIGHT: 1527 KG (3366 LBS)

PM-80700/80710
 LEAN AMINE CHARGE PUMP MOTOR
 MANUFACTURER/ENCLOSURE/FRAME: WEG/TEFC/364T
 POWER: 50HP
 VOLTAGE: 460V/3PH/60HZ
 RPM: 1200RPM

(AMINE SKID LIMITS)



FOR CONSTRUCTION
 September 25, 2019

GENERAL NOTES

- A. MOTOR VFD COMPATIBLE. VFD BY OTHERS.
 - B. LEAN AMINE (LA) PIPING DOES NOT REQUIRE P.W.H.T..
 - C. START-UP BYPASS
1. MIN FLOW REQUIREMENT FOR AMINE CHRG PUMPS IS 30 USGPM. (FI-80700 + FI-80700) > 30 USGPM

*VALVES AND INSTRUMENTS SUPPLIED BY STARTEC AND SHIPPED LOOSE
 ** VALVES AND INSTRUMENTS SUPPLIED BY OTHERS
 --- FIELD PIPING BY OTHERS

NO.	DATE	BY	AP'D	DESCRIPTION	NO.	DATE	BY	AP'D	DESCRIPTION
A	19-01-07	DD	SR	ISSUED FOR APPROVAL					
B	19-01-21	DD		ISSUED FOR APPROVAL					
C	19-03-04	KJH		GENERAL REVISIONS					
O	19-04-17	GE		ISSUED FOR CONSTRUCTION					
O.1	19-05-13	GE		ISSUED FOR HAZOP					
O.2	19-09-16	GE		REVISED AS SHOWN					

55 GPM AMINE GAS PLANT	
DRAWN: DD	DATE: 19-01-21
CHECKED: -	DATE: -
ENG. APP'L: <i>SR</i>	DATE: <i>24-1-2019</i>
PACKAGE NO.: -	
REFERENCE NO.: -	

STARTEC
 COMPRESSION & PROCESS LTD.
 APEGA NO. P13139

CUSTOMER: -

TITLE: PIPING & INSTRUMENTATION DIAGRAM
 LEAN AMINE CHARGE PUMPS

SCALE: N.T.S. DRAWING NO.: 18061-PR-PID-012 REV. 0.2