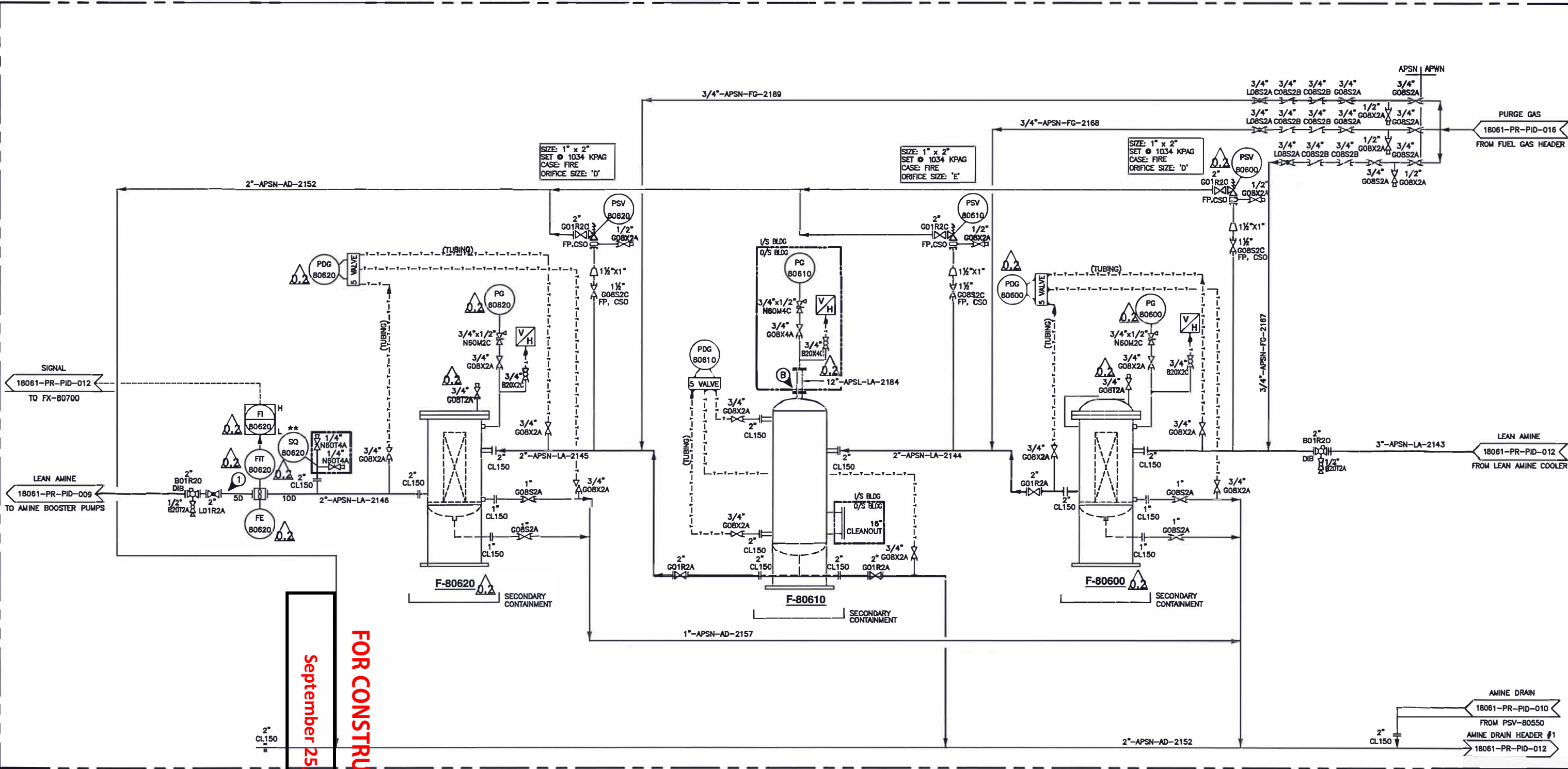


F-80600/80620
 LEAN AMINE PARTICULATE FILTER
 SIZE: 273mm (10" NPS) OD x 1067mm (42') S/S
 MODEL: JCF-2-10.75-200-5-336
 c/w (B) JONELL JPMA-336-10AV-WS ELEMENTS
 DESIGN: 1379 KPAG (200 PSIG)/FV @ -29/93°C (-20/200°F)
 C.A.: 3.2mm (1/8")
 (50% SUP STREAM)
 ESTIMATED WEIGHT (EMPTY): 182 KG (400 LBS)

F-80610
 LEAN AMINE ACTIVATED CARBON FILTER
 SIZE: 914mm (36") ID x 3048mm (10') S/S
 MODEL: JACB-2-361D-200-57
 (50% SLIP)
 DESIGN: 1379 KPAG (200 PSIG)/FV @ -45°C/93°C (-49°F/200°F)
 C.A.: 3.2mm (1/8")
 (50% SUP STREAM)
 ESTIMATED WEIGHT (EMPTY): 1338 KG (2950 LBS)

(AMINE SKID LIMITS)



FOR CONSTRUCTION
 September 25, 2019

GENERAL NOTES

- A. SUPPLIED AND WIRED BY OTHERS.
 - B. ALL PIPING PROJECTING OUTSIDE OF THE BUILDING TO BE LOW TEMP MATERIAL BACK TO THE FIRST JOINT INSIDE BUILDING.
 - C. LEAN AMINE (LA) PIPING DOES NOT REQUIRE P.W.H.T.
1. PROMISION FOR CONTROL STATION.
 2. LOCATE CONNECTION CLOSE TO BOOSTER UPMPs
 3. MIN FLOW OR BOOSTER PUMP (FI-80600 & FI-80700) > 30 USGPM
- * VALVES AND INSTRUMENTS SUPPLIED BY STARTEC AND SHIPPED LOOSE
 ** VALVES AND INSTRUMENTS SUPPLIED BY OTHERS
 --- FIELD PIPING BY OTHERS

NO.	DATE	BY	AP'D	DESCRIPTION	NO.	DATE	BY	AP'D	DESCRIPTION
A	19-01-07	DD	SR	ISSUED FOR APPROVAL					
B	19-01-21	DD		ISSUED FOR APPROVAL					
C	19-03-04	KJH		GENERAL REVISIONS					
O	19-04-17	GE		ISSUED FOR CONSTRUCTION					
0.1	19-05-13	GE		ISSUED FOR HAZOP					
0.2	19-09-16	GE		REVISED AS SHOWN					

55 GPM AMINE GAS PLANT

STARTEC
 COMPRESSION & PROCESS LTD.
 APBGA NO. P13139

DRAWN: DD DATE: 19-01-21
 CHECKED: - DATE: -
 ENG. APPL: SJC DATE: 25/9/19
 PACKAGE NO.: -
 REFERENCE NO.: -

CUSTOMER: -
 TITLE: PIPING & INSTRUMENTATION DIAGRAM
 LEAN AMINE CHARCOAL & PARTICULATE FILTERS
 SCALE: N.T.S. DRAWING NO.: 18061-PR-PID-011 REV. 0.2