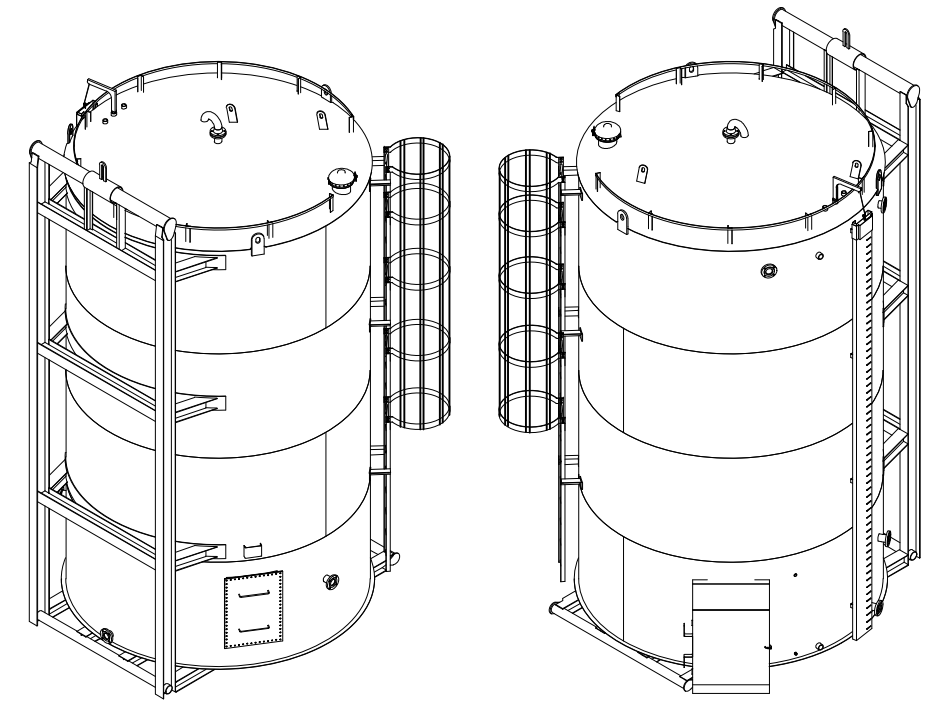
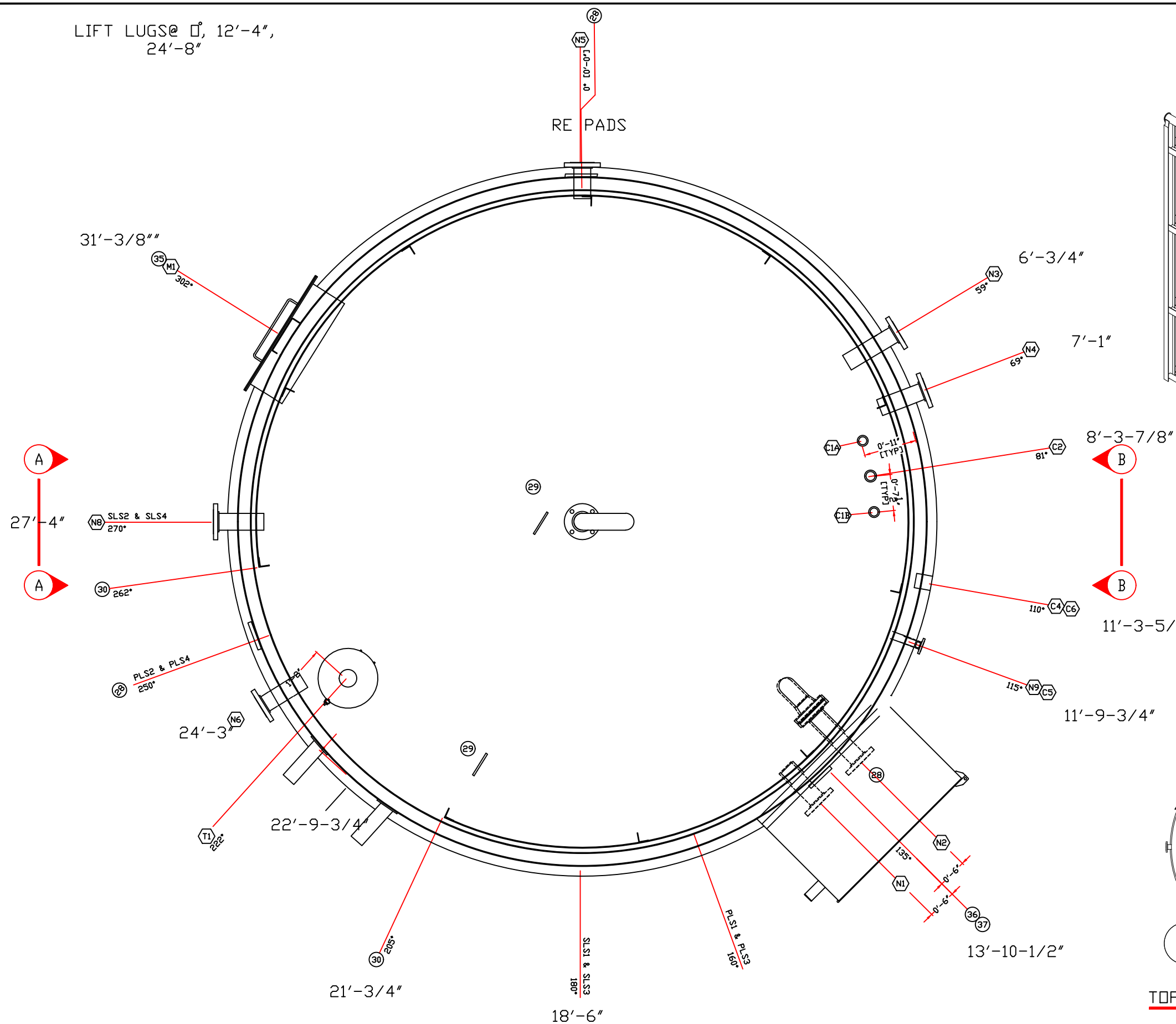
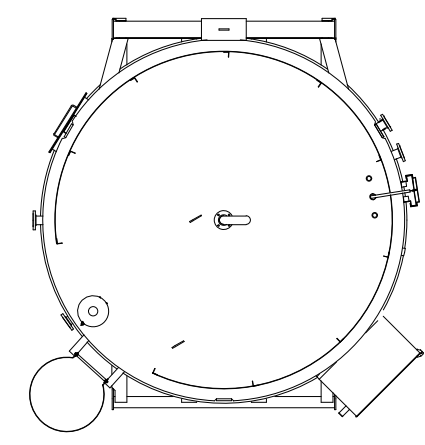


LIFT LUGS @ \varnothing , 12'-4",
24'-8"

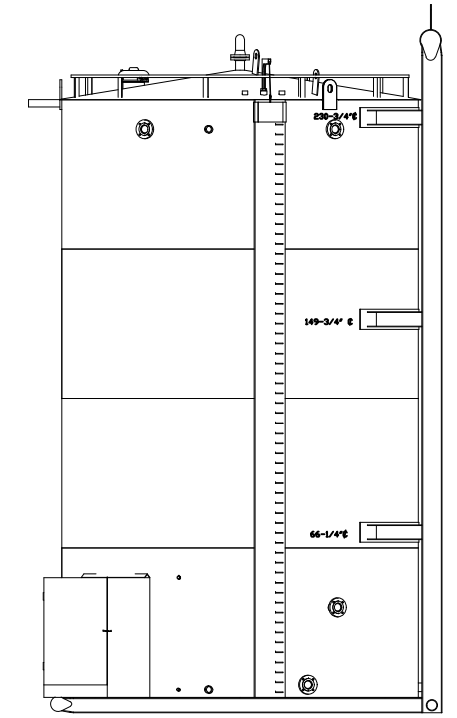
RE PADS



ISOMETRIC VIEWS OF SKID & TANK



TOP VIEW OF SKID & TANK



SIDE VIEW OF SKID & TANK

ORIENTATION VIEW

0	2025-01-06	ISSUED FOR CONSTRUCTION	CT	CT	CT
REV	DD/MM/YYYY	REVISION	BY	CHK	APP



CLIENT: PEYTO EXPLORATION	
400BBL DOUBLE WALL TANK	
12'-0" DD x 20'-0" TALL STORAGE TANK	
DWG#	REV
PG 2	0