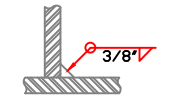
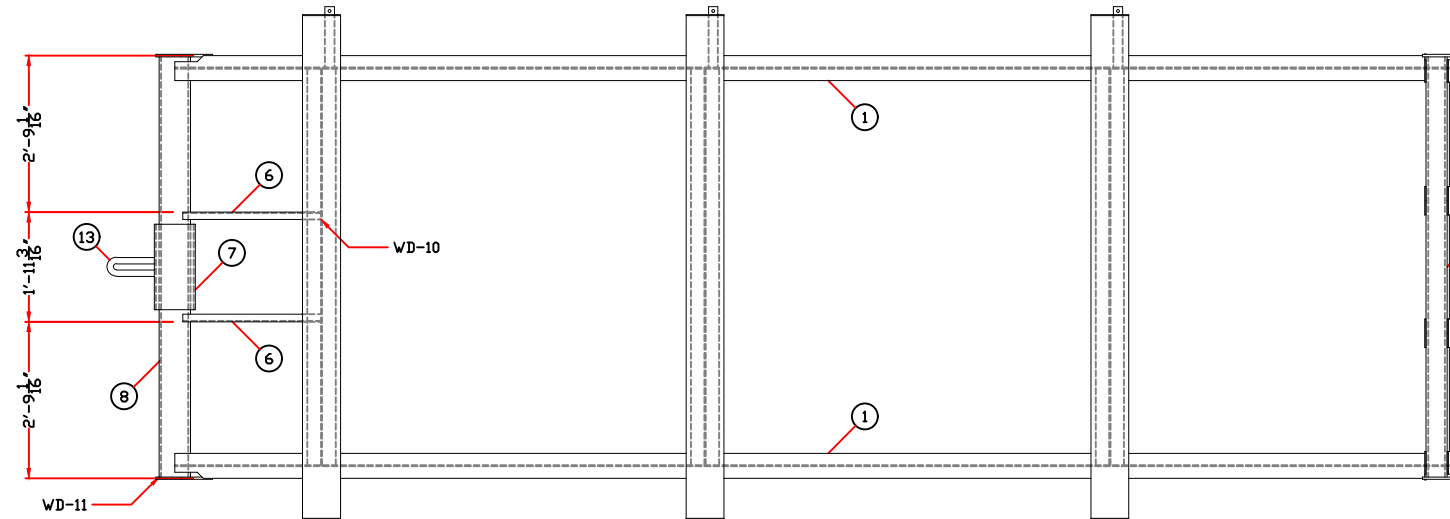
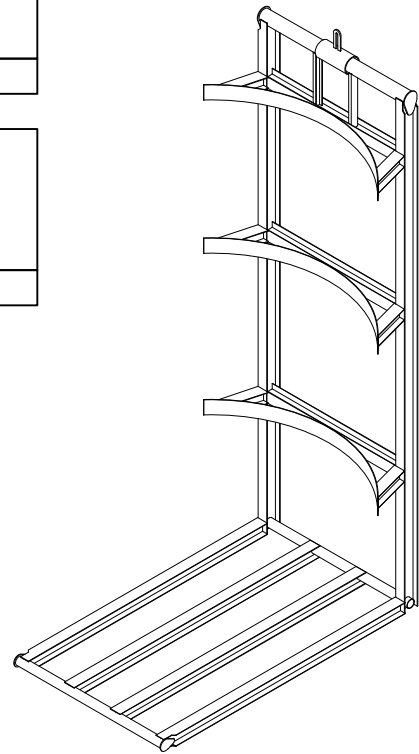


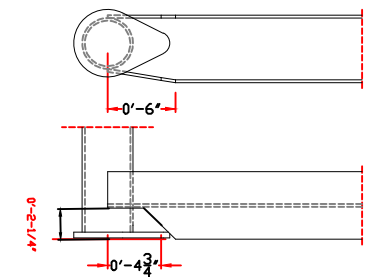
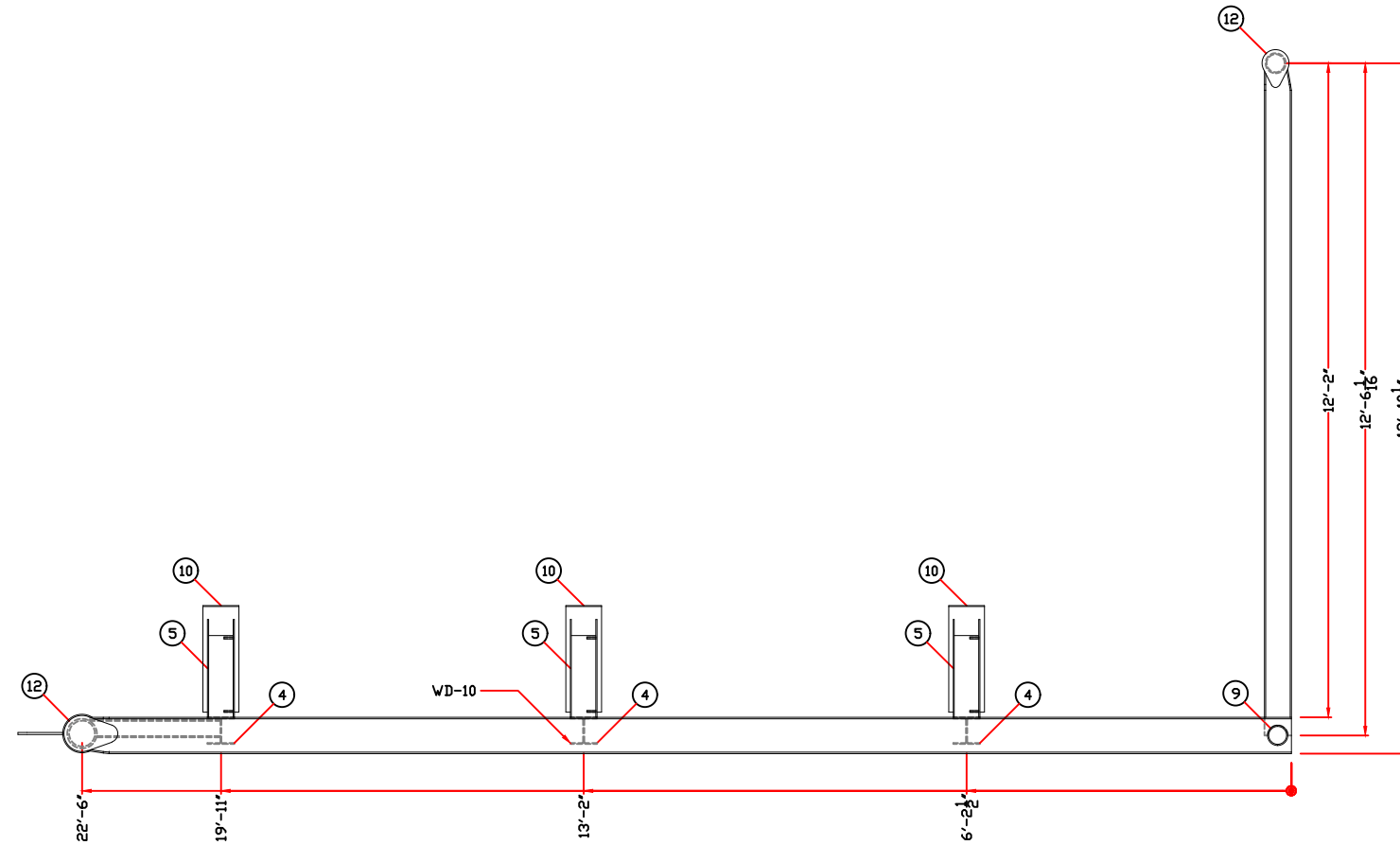
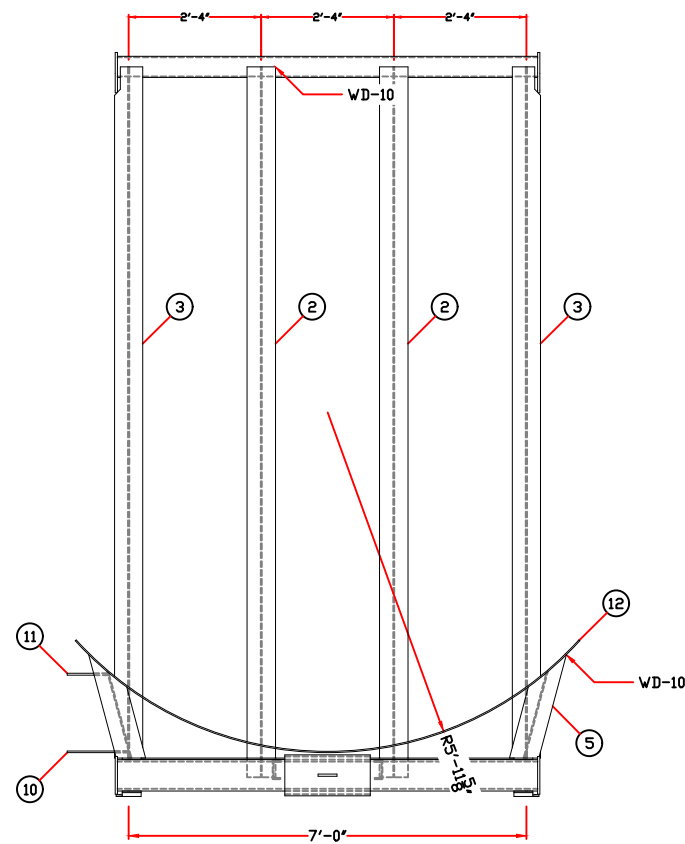
WELD DETAIL 10  
WPS: TSL-STRUCT



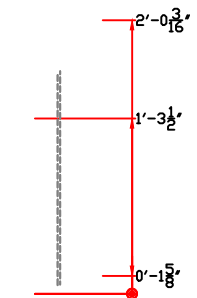
WELD DETAIL 11  
WPS: TSL-STRUCT



BILL OF MATERIALS				
ITEM	QTY	DESCRIPTION	LENGTH	MATERIAL
1	2	WIDEFLANGE - W8 x 18#	22'-6"	SA36 / 44W
2	2	WIDEFLANGE - W8 x 18#	12'-6 1/16"	SA36 / 44W
3	2	WIDEFLANGE - W8 x 18#	12'-2"	SA36 / 44W
4	3	WIDEFLANGE - W6 x 15#	6'-11 3/4"	SA36 / 44W
5	6	WIDEFLANGE - W6 x 15#	2'-0 15/16"	SA36 / 44W
6	2	CHANNEL - C4 x 5.4#	CUT TO SUIT	SA36 / 44W
7	1	PIPE - 8" SCH.STD	1'-6"	SA-106B
8	1	PIPE - 6" SCH.XH	7'-7"	SA-106B
9	2	PIPE - 4" SCH.STD	7'-7"	SA-106B
10	3	PLATE - 8"x120" x 1/4" THICK ROLLED TO 71 5/8"ID	-	SA36 / 44W
11	2	PLATE TEARDROPS FOR 8" PIPE x 1/2" THICK	-	SA36 / 44W
12	2	PLATE TEARDROPS FOR 6" PIPE x 1/2" THICK	-	SA36 / 44W
13	1	PLATE U-LUG 4"x10" x 1/2" THICK	-	SA36 / 44W



TYP COPING DTL



ITEM 5 DTL

0	2025-01-06	ISSUED FOR CONSTRUCTION	CT	CT	CT
REV	DD/MM/YYYY	REVISION	BY	CHK	APP



CLIENT: EYB EXPERIMENTION
400BBL DOUBLE WALL TANK 12'-0" DD x 20'-0" TALL STORAGE TANK
DWG# 6617 400BBL SC SKID
PG 3
REV 0