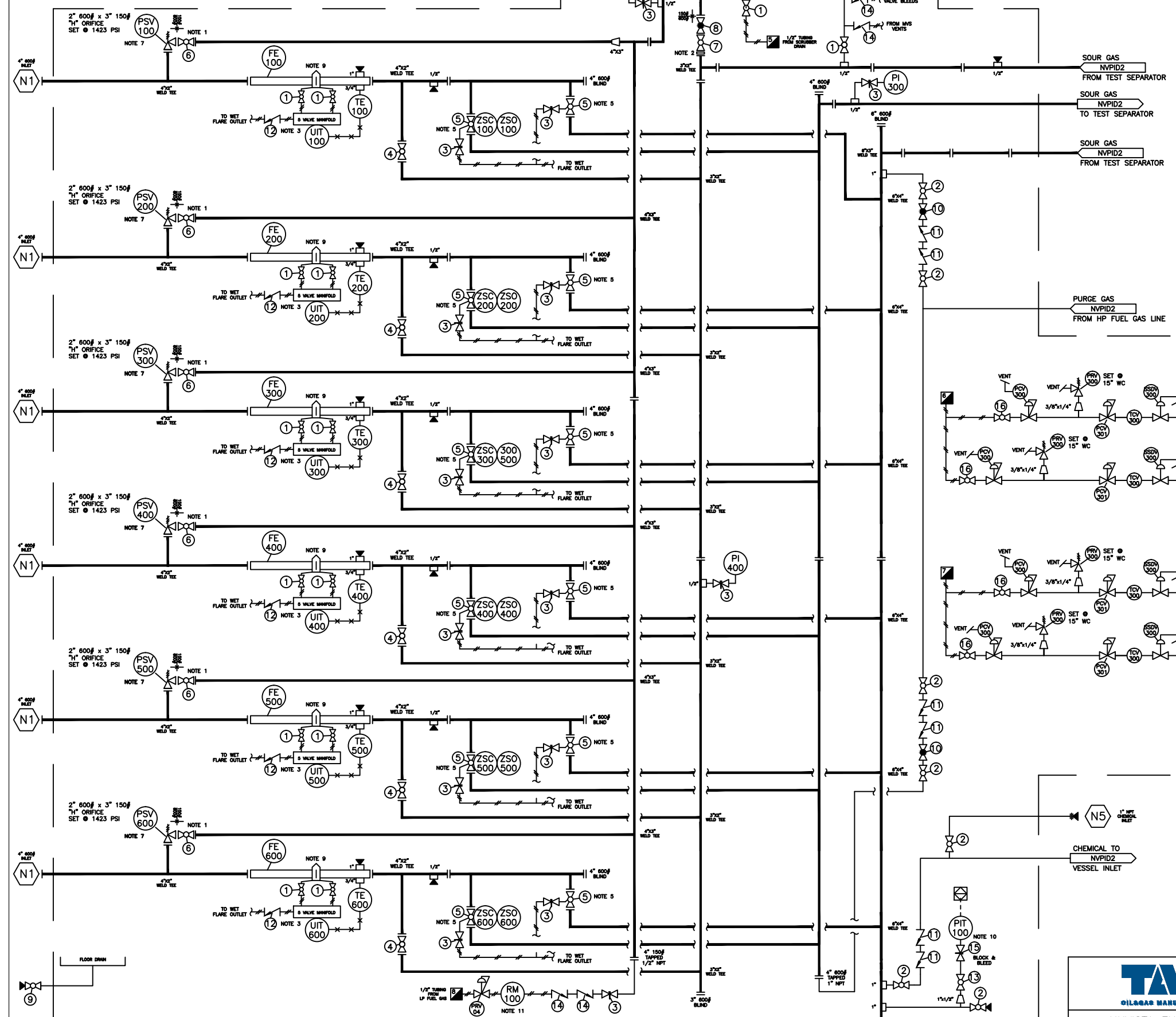


CONNECTION LIST			CONNECTION LIST		
TAG	SIZE	DESCRIPTION	TAG	SIZE	DESCRIPTION
N1	4" 600# RF	INLETS	N5	1" NPT	CHEMICAL INLET
N2	4" 150# RF	DRY FLARE OUTLET			
N3	6" 600# RF	GROUP OUTLET			
N4	3" 150# RF	WET FLARE OUTLET			



H-1250/1350/1450/1550 NOTE 6  
 CCI THERMAL 24" x 24"  
 20,000 BTU/HR CATALYTIC  
 12V HEATER C/W 100% SAFETY SHUTOFF  
 25' CABLES  
 NATURAL GAS ORIFICE

VALVE LIST					
MK	QTY	SIZE	RATING	DESCRIPTION	MATERIAL
1	14	1/2"	3000#	FP BALL VALVE SCREWED	WKM NACE NOTE 8
2	7	1"	3000#	RP BALL VALVE SCREWED	WKM NACE NOTE 8
3	16	1/2"	6000#	SS NEEDLE VALVE	GAUGETECH
4	6	2"	600 ANSI	RF FP TRUNNION DBB BV	KUKA NACE
5	12	4"	600 ANSI	RF FP TRUNNION DBB BV	KUKA NACE
6	6	3"	150 ANSI	RF FP TRUNNION DBB BV	KUKA NACE
7	1	3"	600 ANSI	RF FP TRUNNION DIB-1 BV	KUKA NACE
8	1	3"	600 ANSI	RF GLOBE VALVE. TRIM 12	DHV NACE
9	1	2"	3000#	RP BALL VALVE SCREWED	WKM SWEET NOTE 8
10	2	1"	CLASS 800	NPT GLOBE VALVE	DHV NACE
11	6	1"	3000#	INLINE CHECK VALVE	PLAINSMAN SS
12	6	3/8"	6000#	VH36B-D-6T-KZ-1-S CHECK	DK-LOK
13	1	1/2"	3000#	RP BALL VALVE SCREWED	WKM NACE NOTE 8
14	5	1/2"	3000#	CHECK VALVE SCREWED	PLAINSMAN SS
15	1	1/2"	6000#	GTHBB12MFSS MANIFOLD	GAUGETECH
16	4	1/4"	2000#	RP BALL VALVE SCREWED	MERIDIAN NACE

MATERIAL LIST		
QTY	TAG #	DESCRIPTION
6	FE-100/200 300/400/500/600	4" 600# ANSI JR METER RUN (NACE) C/W FLOW CONDITIONER (AGA-2000) 2.500" BORE ORIFICE PLATE. FLANGED FLOW CONDITIONER
6	PSV-100/200 300/400/500/600	2" 600# x 3" 150# TAYLOR RELIEF VALVE. SET @ 1423 PSI. H ORIFICE. SOUR. MODEL 825H887134543600
6	ZSC/ZSO-100/200 300/400/500/600	CVS CONTROLS 870-M1 LIMIT SWITCH WITH BEACON INDICATOR. OPEN AND CLOSED SWITCH. CSA EXP.
2	PI-100/200	1/2" NPT 0-300 PSI D.S. L.F. B.M. 4" FACE
2	PI-300/400	1/2" NPT 0-1500 PSI D.S. L.F. B.M. 4" FACE
6	UIT-100/200 300/400/500/600	ROSEMOUNT 4088B2P13G4R3E121AE6M5 MULTIVARIABLE TRANSMITTER. -250 TO 1000" WC. 3626 PSI MEASUREMENT. RTD INPUT. LCD DISPLAY. 5-WAY MANIFOLD HASTELLOY SENSOR
6	TE-100/200 300/400/500/600	3 WIRE RTD C/W THERMOWELL -100 TO 204 DEG C.
1	PIT-100	FOXBORO IGPO55-TS2F1CD-L1(N) PRESSURE TRANSMITTER. LCD DISPLAY.
4	PCV-300	FISHER 912 REGULATOR. 11" WC
4	PCV-301	MAXITROL REGULATOR
4	TCV-300	20,000 BTU TEMPERATURE CONTROLLER
4	SSDV-300	ASV375 SAFETY SHUTOFF VALVE
4	PRV-300	FISHER 289U RELIEF VALVE. 5-25" WC
1	RM-100	MUIS MODEL 74C-234G041-423810 ROTAMETER. 65mm BOROSILICATE GLASS TUBE. VITON O-RINGS. 200 PSI MAMP. 10 TO 100% SCALE
1	PRV-04	1/4" NPT CVS 67CFR (0-60PSI) PRESSURE REGULATORS (VENTED BONNET)

150# ANSI WELDED PIPING SCH 80 A333 W/ A350-LF2 & A420-WPL6 FORGED STEEL FITTINGS, 100% RT, 100% MT, PWHT, HYDROTEST TO 428 PSI  
 600# ANSI WELDED PIPING SCH 80 A333 W/ A350-LF2 & A420-WPL6 FORGED STEEL FITTINGS, 100% RT, 100% MT, PWHT, HYDROTEST TO 2160 PSI  
 PROCESS THREADED PIPING SCH 160 W/ 3000PSI FORGED STEEL FITTINGS  
 THREADED PIPING PROCEDURE TO FOLLOW TAK QC MANUAL SECTION 18.3 & EXHIBIT 18.1  
 STRUCTURAL STEEL SKID W/ 3/16" CHECKER PLATE FLOOR, ONE SUMP  
 14' X 36' GALVALUME SANDWICH PANEL BUILDING W/ GABLE STYLE ROOF. FULL LENGTH ICE RAKES (2). 12' LONG RIDGE VENT IN CENTER PORTION ONE 36" WIDE DOOR CANOPY. TWO 90" WIDE DOOR CANOPIES  
 PAINT SHOP PRIMER W/ WARM GRAY FINISH  
 316 SS TUBING W/ SWAGelok STAINLESS STEEL TUBE FITTINGS

NO	REVISION	BY	DATE
0	ISSUED FOR APPROVAL	SM	DEC 5, 25

- NOTES:  
 1. T-BAR LEVER OPERATED VALVE WITH CHAIN  
 2. 1/2" RESTRICTION ORIFICE  
 3. MANIFOLDS INSTALLED AWAY FROM VENTS TO AVOID FREEZING  
 4. ALL FP TRUNNION VALVES C/W GREASE CERTS. GREASE CERTS INSTALLED IN BOTTOM OF VALVES. BLEED VALVES INSTALLED ON SIDE OF VALVES  
 5. GEAR OPERATED VALVE  
 6. SUPPLY LAMACOID TAG WITH HEATER NUMBER  
 7. SUPPLY LAMINATED TAG WITH PSV INFO. SHIP PSV DOCUMENTATION WITH PACKAGE  
 8. VALVE C/W LOCKABLE HANDLE  
 9. TAG METER RUN WITH ORIFICE PLATE SIZE  
 10. MANIFOLD C/W CAL PORT. 3/8" TUBE FITTING WITH CAP  
 11. MOUNT ROTAMETER 5" FROM SKID FLOOR

**APPROVED**



NUVISTA ENERGY LTD.  
 05-28-071-09 W6M  
 6 WELL SOUR METER SKID  
 C/W 36" TEST SEPARATOR  
 MIRRORED LAYOUT DESIGN

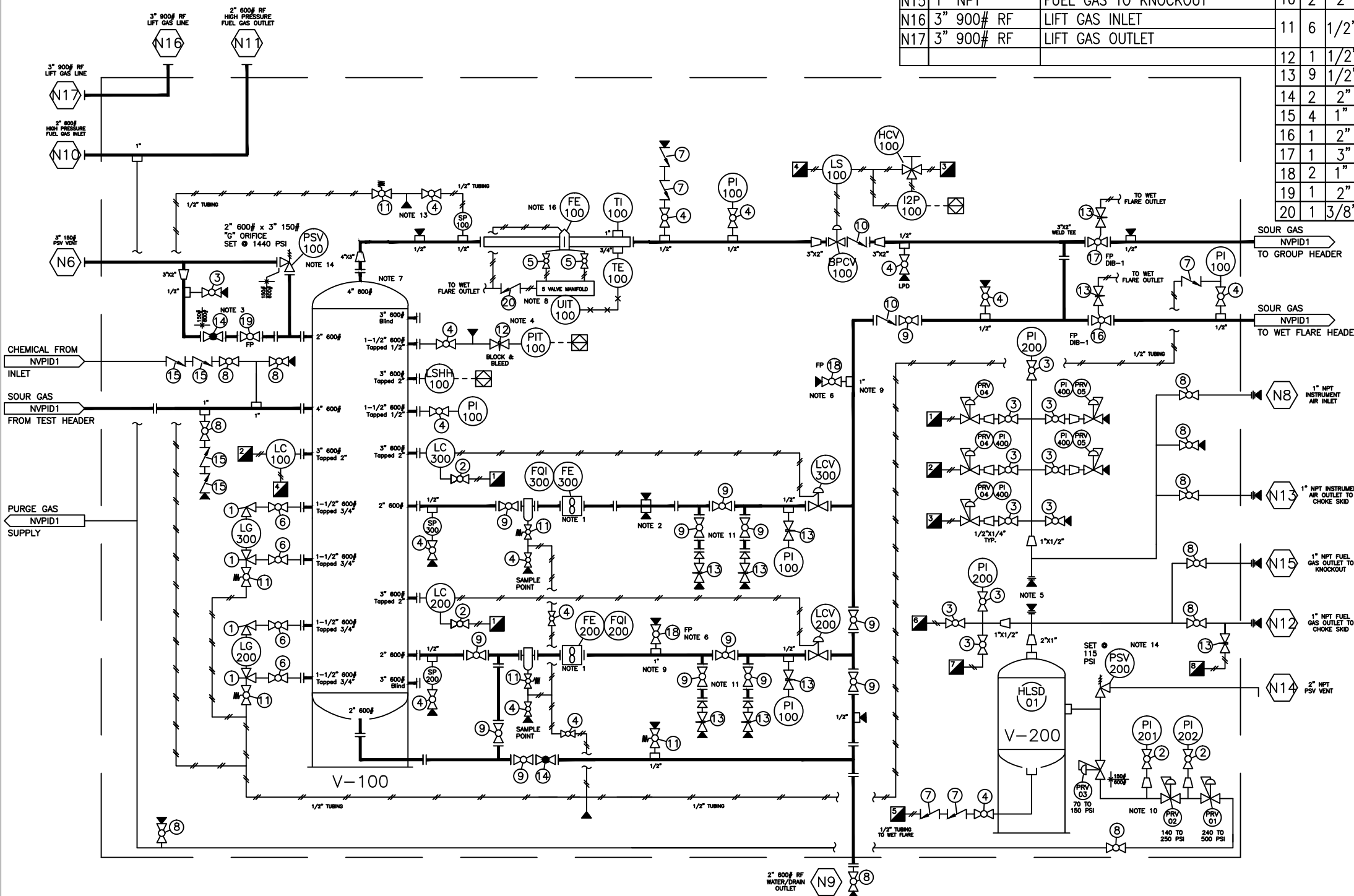
TAK JOB# 11457

DRAWN		DATE		SCALE	
SM		12/05/25		N.T.S.	
APPROVED FOR CONSTRUCTION				DWG NO 11457P&ID SH NO 1 REV	

**V-100**  
 36" OD X 10' S/S  
 VERTICAL 3 PHASE SEPARATOR  
 DRESSED 3 PHASE  
 1440 PSI MAMP @ 130 DEG. F  
 INLET DEFLECTOR, FLOAT SHIELD,  
 6" THICK 316SS MISTEX  
 REGISTERED IN AB, SK, & BC  
 SOUR, RT-1, PWHT  
 -20 DEG F MDMT

**V-200**  
 6" X 36" S/S  
 FUEL GAS SCRUBBER  
 150 PSI MAMP  
 REGISTERED IN AB, SK, & BC  
 SWEET SERVICE  
 -20 DEG F MDMT  
 1/16" CORROSION ALLOWANCE

CONNECTION LIST					VALVE LIST				
TAG	SIZE	DESCRIPTION	MK	QTY	SIZE	RATING	DESCRIPTION	MATERIAL	
N6	3" 150# RF	V-100 PSV OUTLET	1	4	1/2"	4000#	ANGLE VALVE SCREWED	DANIEL QTS1S NACE	
N7	2" 600# RF	PROVER TAP CONNECTIONS	2	4	1/4"	2000#	RP BALL VALVE SCREWED	DHV NACE	
N8	1" NPT	INSTRUMENT AIR INLET	3	11	1/2"	2000#	RP BALL VALVE SCREWED	MAS G2 NACE NOTE 15	
N9	2" 600# RF	WATER/DRAIN OUTLET	4	15	1/2"	3000#	RP BALL VALVE SCREWED	WKM NACE NOTE 15	
N10	2" 600# RF	HP FUEL GAS INLET	5	2	1/2"	3000#	FP BALL VALVE SCREWED	WKM NACE NOTE 15	
N11	2" 600# RF	HP FUEL GAS OUTLET	6	4	3/4"	3000#	RP BALL VALVE SCREWED	WKM NACE NOTE 15	
N12	1" NPT	LP FUEL GAS OUTLET	7	5	1/2"	3000#	CHECK VALVE SCREWED	PLAINSMAN SS	
N13	1" NPT	INSTRUMENT AIR OUTLET	8	11	1"	3000#	RP BALL VALVE SCREWED	WKM NACE NOTE 15	
N14	2" NPT	V-200 PSV OUTLET	9	13	2"	600 ANSI	RF RP FLOATING BV	KUKA NACE	
N15	1" NPT	FUEL GAS TO KNOCKOUT	10	2	2"	600 ANSI	RF SWING CHECK VALVE	CROWN NACE	
N16	3" 900# RF	LIFT GAS INLET	11	6	1/2"	3000#	RP BALL VALVE SCREWED	WKM NACE	
N17	3" 900# RF	LIFT GAS OUTLET	12	1	1/2"	6000#	SPRING RETURN	WKM NACE	
			13	9	1/2"	6000#	GTHBB12MFSS MANIFOLD	GAUGETECH	
			14	2	2"	600 ANSI	SS NEEDLE VALVE	GAUGETECH	
			15	4	1"	3000#	RF GLOBE VALVE, TRIM 12	DHV NACE	
			16	1	2"	600 ANSI	INLINE CHECK VALVE	PLAINSMAN SS	
			17	1	3"	600 ANSI	RF FP TRUNNION DIB-1 BV	KUKA NACE	
			18	2	1"	3000#	RF FP TRUNNION DIB-1 BV	DHV NACE	
			19	1	2"	600 ANSI	FP BALL VALVE SCREWED	WKM NACE NOTE 15	
			20	1	2"	600 ANSI	RF FP FLOATING BV	KUKA NACE	
							VH36B-D-6T-KZ-1-S CHECK	DK-LOK	



MATERIAL LIST		
QTY	TAG #	DESCRIPTION
1	HCV-100	CVS CONTROLS AUTO / MANUAL LOADING STATION C/W 67 REGULATOR
1	FE-100	3" 600# ANSI SR METER RUN (NACE) C/W FLOW CONDITIONER (AGA-2000) 2.000" BORE ORIFICE PLATE, FLANGED FLOW CONDITIONER
1	TI-100	-40" TO +160" D.S. C/W 304 SST TW
1	BPCV-100	2" 600# CVS SERIES "D" CONTROL VALVE W/ 1.25" TUNGSTEN CARBIDE TRIM
2	LC-200/300	2" NPT FISHER L2 SNAP ACTING LEVEL CONTROLLER (NACE)
2	LCV-200/300	2" 600# RF DYNA FLO D2410 CONTROL VALVE, 1-1/4" TUNGSTEN CARBIDE TRIM
1	FE/FQI-200/300	2" 600# NUFLO "EZ-IN" TURBINE METER C/W MCHII TOTALIZER (4-20mA), 1.5" BORE (515 TO 6000 BPD FLOW RANGE)
1	LG-200	DANIEL QTS 511M (NACE) TRANSPARENT LEVEL GAUGE
1	LG-300	DANIEL QTS 511M (NACE) TRANSPARENT LEVEL GAUGE
1	PSV-100	2" 600# X 3" 150# TAYLOR RELIEF VALVE, SET @1440PSI, G ORIFICE, SOUR MODEL 825G985134243600
1	PSV-200	1"x2" NPT TAYLOR C/W "F" ORIFICE (SWEET) - SET 115 PSI MODEL 825F51361311
1	LC-100	NORRISAL 1001A PNEUMATIC LEVEL CONTROLLER (REVERSE ACTING OVERRIDE)
1	LSHH-100	NORRISAL 1001 ELECTRIC LEVEL SWITCH
3	SP-100/200/300	WELKER SP-2 SAMPLE PROBE
1	HLSD-01	LOTECH MECHANICAL FLOAT SHUTOFF
1	PRV-01	1" NPT CVS 627H REGULATOR C/W 3/16" ORIFICE (SWEET), 240-500 PSI
1	PRV-02	1" NPT CVS 627H REGULATOR C/W 3/16" ORIFICE (SWEET), 140-250 PSI
1	PRV-03	1" NPT CVS 627 REGULATOR C/W 3/8" ORIFICE (SWEET), 70-150 PSI
3	PRV-04	1/4" NPT CVS 67CFR (0-60PSI) PRESSURE REGULATORS (VENTED BONNET)
2	PRV-05	1/4" NPT CVS 67CFR (0-125PSI) PRESSURE REGULATOR (VENTED BONNET)
1	PIT-100	FOXBORO IGP055-T52F1CD-L1(N) PRESSURE TRANSMITTER, LCD DISPLAY.
1	I2P-100	FISHER I2P ELECTRO-PNEUMATIC TRANSDUCER
1	LS-100	FAIRCHILD 20812E LOW SELECT RELAY
5	PI-100	1/2" NPT 0-1500 PSI D.S. L.F. B.M. 4" FACE
2	PI-200	1/2" NPT 0-300 PSI D.S. L.F. B.M. 4" FACE
2	PI-201/202	1/4" NPT 0-1000 PSI D.S. L.F. B.M. 2-1/2" FACE
4	PI-400	1/4" NPT 0-160 PSI D.S. L.F. B.M. 2-1/2" FACE
1	UIT-100	ROSEMOUNT 4088B2P13G4R3E121AE6M5 MULTIVARIABLE TRANSMITTER, -250 TO 1000" WC, 3626 PSI MEASUREMENT, RTD INPUT, LCD DISPLAY, 5-WAY MANIFOLD HASTELLOY SENSOR
1	TE-100	3 WIRE RTD C/W THERMOWELL, -100 TO 204 DEG C.

- NOTES:**
- FE-200 / 300 TO BE INSTALLED WITH A MINIMUM 10 STRAIGHT PIPE DIAMETER UPSTREAM AND 5 STRAIGHT PIPE DIAMETER DOWNSTREAM
  - REMOVABLE SPOOL FOR FUTURE SURE-CUT METER INSTALL
  - BYPASS VALVES APPROXIMATELY 1'-0" ABOVE CONDENSATE PHASE
  - MANIFOLD C/W CAL PORT, 3/8" TUBE FITTING WITH CAP
  - 1"x4" NIPPLE REMOVED FOR FUEL GAS ISOLATION
  - FULL PORT VALVE INSTALLED WITH SCHEDULE 80 NIPPLE
  - SHIP EXTRA TUBE OF CAULKING FOR VESSEL / BUILDING SEAL REPAIR AFTER TRAVEL
  - MANIFOLDS INSTALLED AWAY FROM VENTS TO AVOID FREEZING
  - TOL TO BE INSTALLED ON 45 DEGREE ANGLE
  - 627 REGULATOR VENTS OUT BACK WALL WITH 3/4" NPT PIPE
  - N9 CONNECTIONS, 2" 600# ANSI PROVER TAPS PIPED OFF SKID C/W 2" NPT TAPPED 1/2" BULLET PLUGS
  - ALL INSTRUMENT AIR SUPPLIED COMPONENTS VENT INSIDE SKID
  - VALVE ASSEMBLY TO BE 4' FROM SKID FLOOR, SS-810-1-B TUBE FITTING
  - SUPPLY LAMINATED TAG WITH PSV INFO. SHIP PSV DOCUMENTATION WITH PACKAGE
  - VALVE C/W LOCKABLE HANDLE
  - TAG METER RUN WITH ORIFICE PLATE SIZE



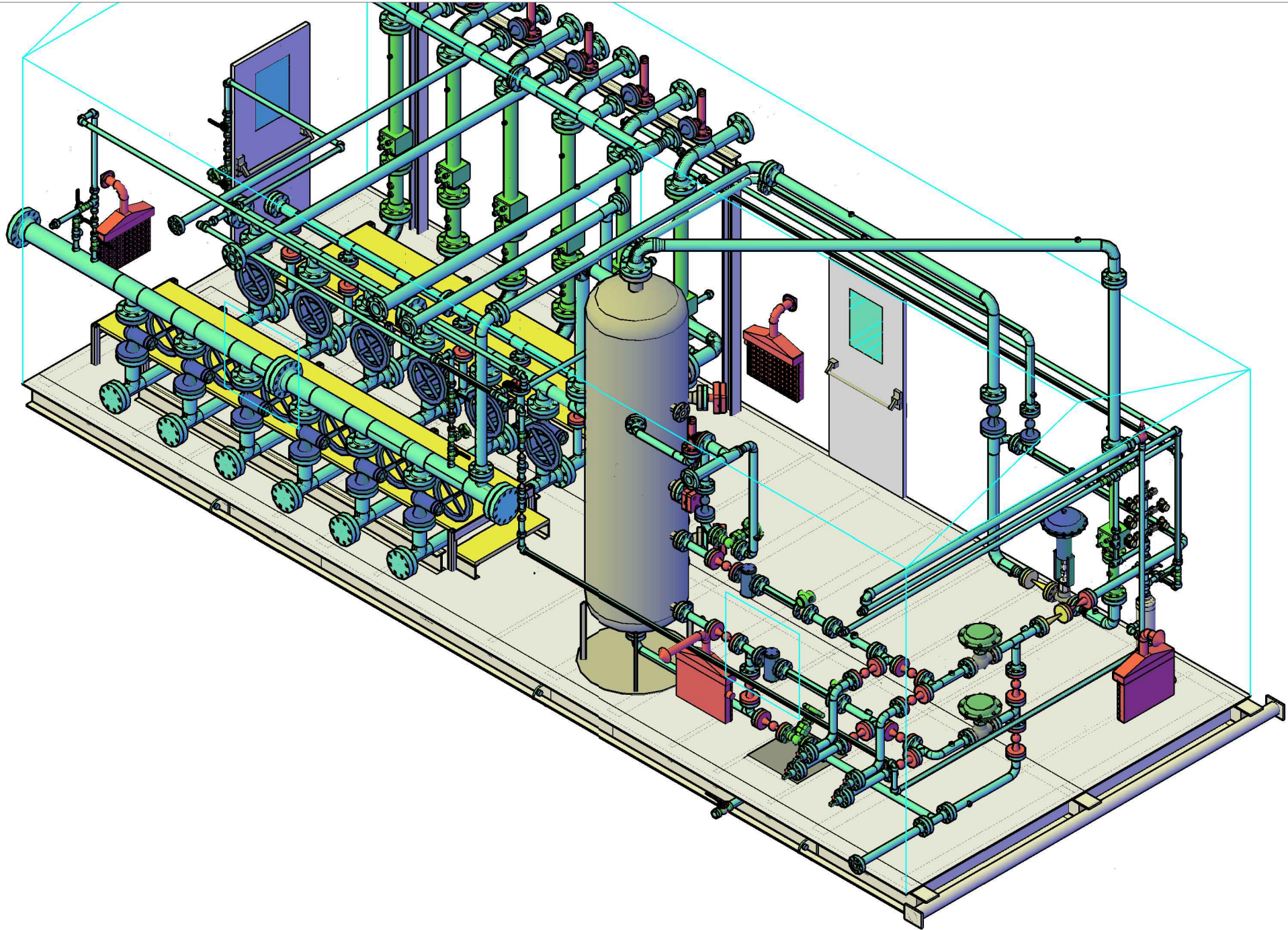
NUVISTA ENERGY LTD.  
 05-28-071-09 W6M  
 6 WELLS SOUR METER SKID  
 W/ 36" VERTICAL SEPARATOR  
 THROUGH PIPING LAYOUT DESIGN  
 EXHIBIT 18  
 TAK JOB# 11457

INSTRUMENT THREADED PIPING SCH 80 W/ 3000PSI FORGED STEEL FITTINGS  
 316 SST TUBING C/W SWAGelok STAINLESS STEEL TUBE FITTINGS, UNLESS OTHERWISE NOTED 3/8" TUBING .035 WALL, 1/2" TUBING .049 WALL  
 STRUCTURAL STEEL SKID (10" WF) W/ 3/16" CHECKER PLATE FLOOR  
 14' X 36' GALVALUME SANDWICH PANEL BUILDING W/ GABLE STYLE ROOF, FULL LENGTH ICE RAKES (2), 12" LONG RIDGE VENT IN CENTER PORTION ONE 36" WIDE DOOR CANOPY, TWO 90" WIDE DOOR CANOPIES  
 MAIN PIPING PRIMER W/ WARM GRAY FINISH  
 PROPOSED THREADED PIPING SCH 160 W/ 3000PSI FORGED STEEL FITTINGS THROUGH PIPING PROCEDURE TO FOLLOW TAK QC MANUAL SECTION 18.3 & EXHIBIT 18  
 600# ANSI WELDED PIPING SCH 80 A333 W/ A350-LF2 & A420-WPL6 FORGED STEEL FITTINGS, 100% RT, 100% MT, PWHT, HYDROTEST TO 2160 PSI

NO	REVISION	BY	DATE
0	ISSUED FOR APPROVAL	SM	DEC 5, 25

PIPING & INSTRUMENTATION DIAGRAM			
DATE	SCALE		
12/05/25	N.T.S.		
APPROVED FOR CONSTRUCTION		DWG NO 11457P&ID SH NO 2 REV 0	

**APPROVED**



SE ISOMETRIC LAYOUT VIEW

DATE DEC 5, 2025

NUVISTA ENERGY LTD.  
 05-28-071-09 W6M  
 WELL METER SKID  
 W/ 36" TEST SEPARATOR  
 IMPROVED LAYOUT DESIGN



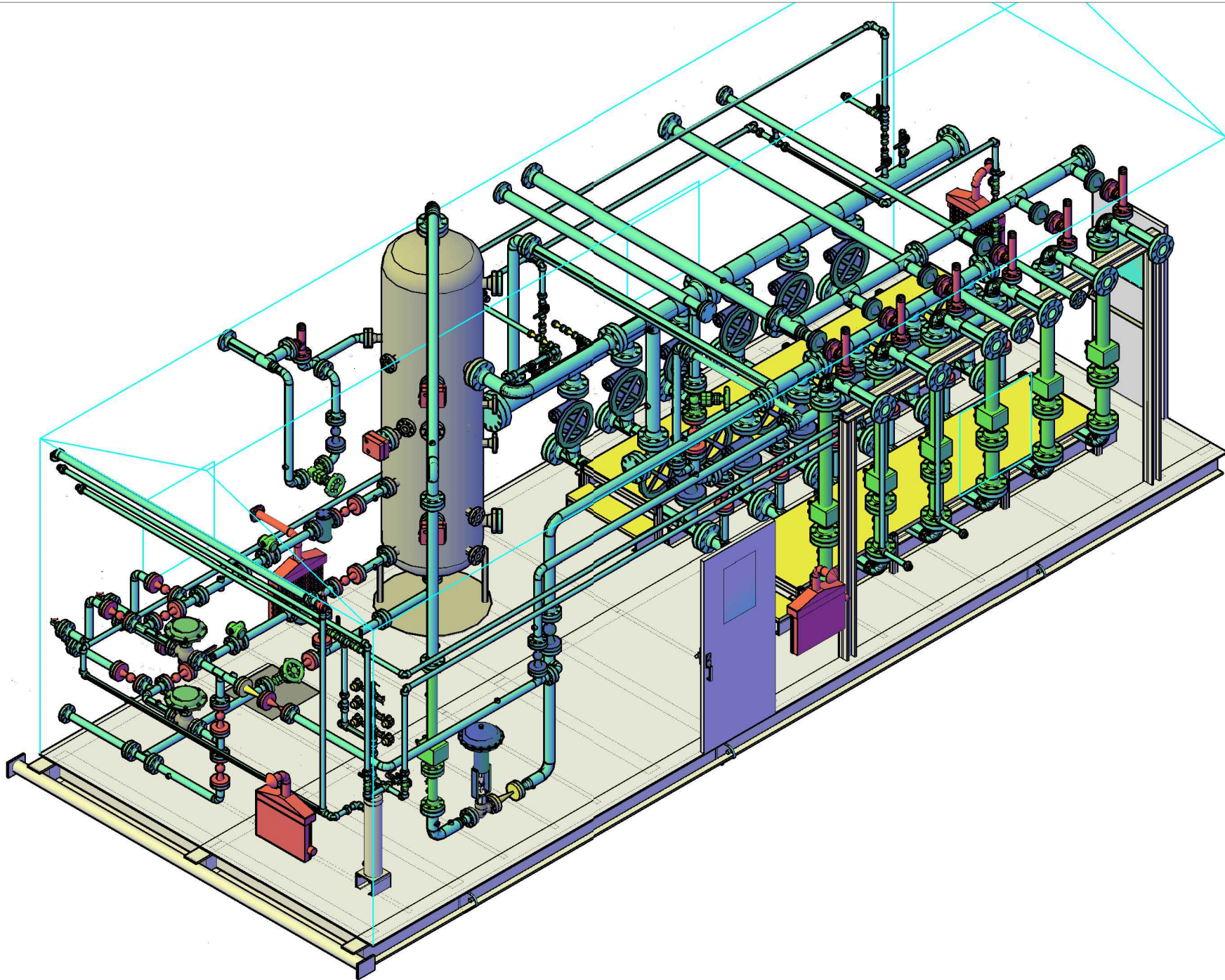
**APPROVED**

ISSUED FOR APPROVAL	SM	DEC 5, 25
NO	REVISION	BY DATE

DRAWN	CHECKED	APPROVED
DATE	DATE	DATE
NO	NO	NO

DATE	REV
DEC 5, 2025	1

TAK JOB# 11457



NE ISOMETRIC LAYOUT VIEW

DATE DEC 5, 2025

NUVISTA ENERGY LTD.  
 05-28-071-09 W6M  
 WELL METER SKID  
 W/ 36" TEST SEPARATOR  
 IMPROVED LAYOUT DESIGN

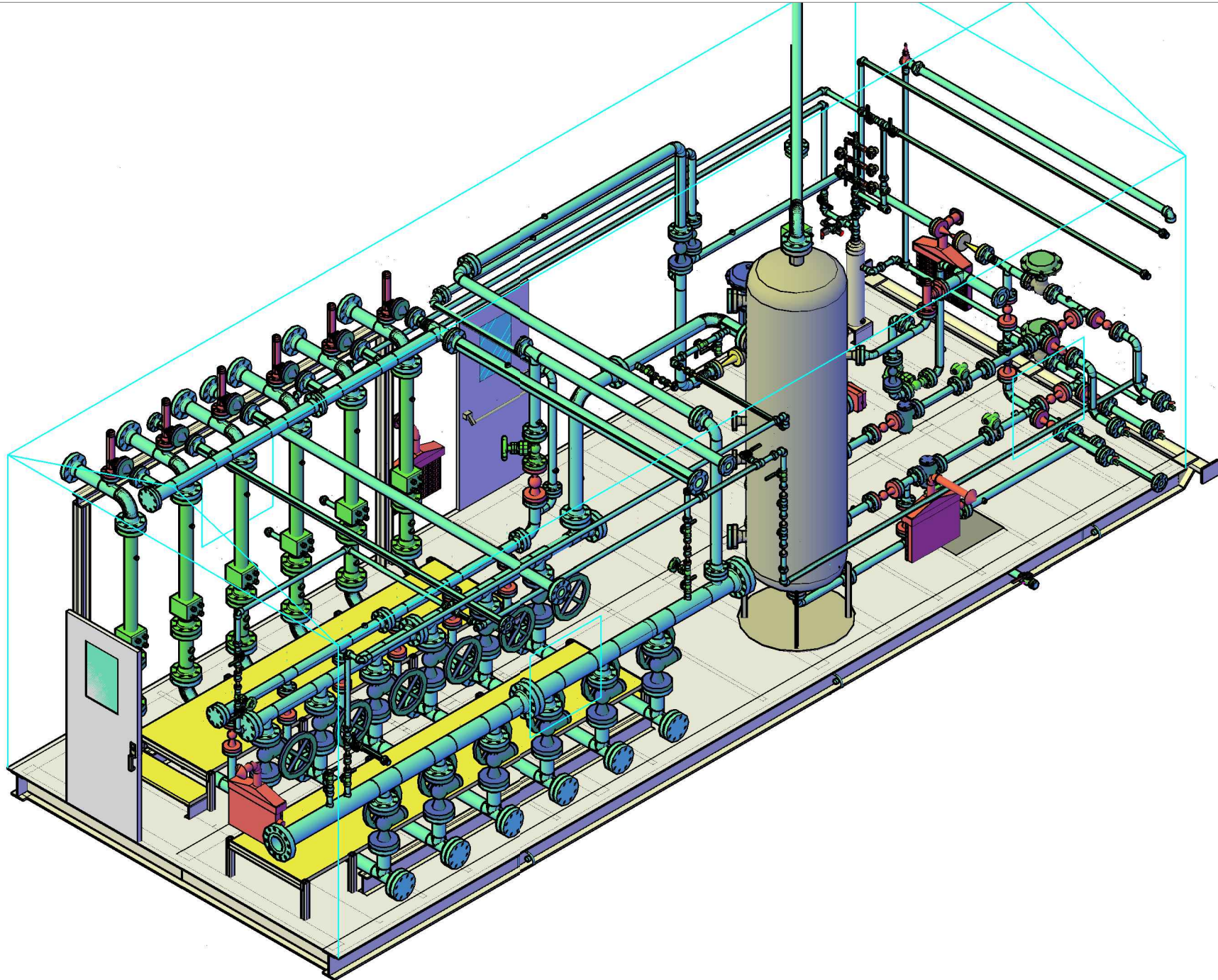


**APPROVED**

ISSUED FOR APPROVAL	SM	DEC 5, 25
REVISION	BY	DATE

DRAWN	CHECKED	APPROVED
DATE	DATE	DATE
NO	NO	NO

REV	BY	DATE
1	OK	



SW ISOMETRIC LAYOUT VIEW

DATE DEC 5, 2025

NUVISTA ENERGY LTD.  
05-28-071-09 W6M  
WELL METER SKID  
/W 36" TEST SEPARATOR  
IMPROVED LAYOUT DESIGN



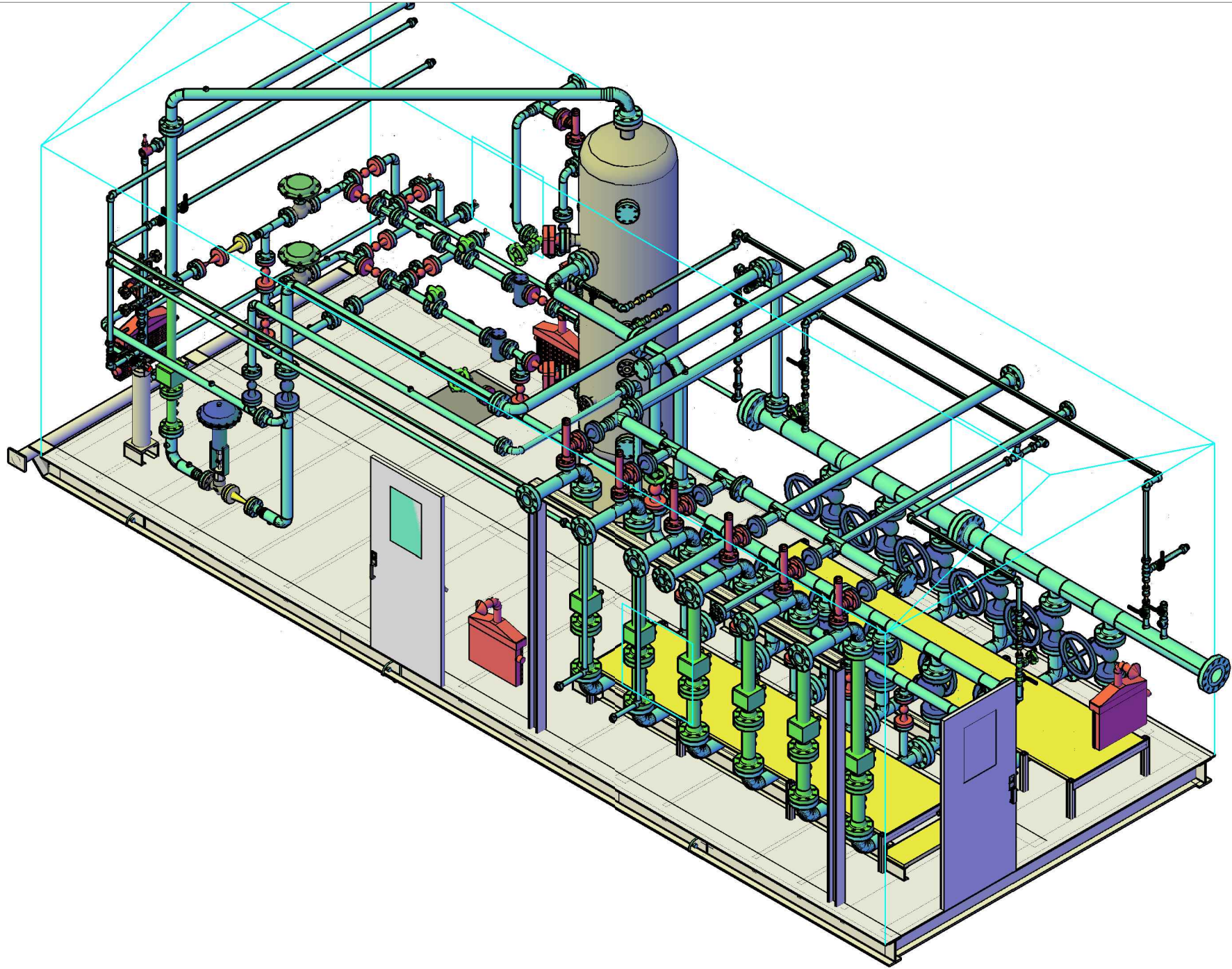
**APPROVED**

ISSUED FOR APPROVAL	SM	DEC 5, 25
NO	BY	DATE

DRAWN	CHECKED	APPROVED
DATE	DATE	DATE
NO	NO	NO

REV	BY	DATE
NO	NO	DATE

TAK JOB# 11457



NW ISOMETRIC LAYOUT VIEW

DATE DEC 5, 2025

NUVISTA ENERGY LTD.  
 05-28-071-09 W6M  
 WELL METER SKID  
 W/ 36" TEST SEPARATOR  
 IMPROVED LAYOUT DESIGN



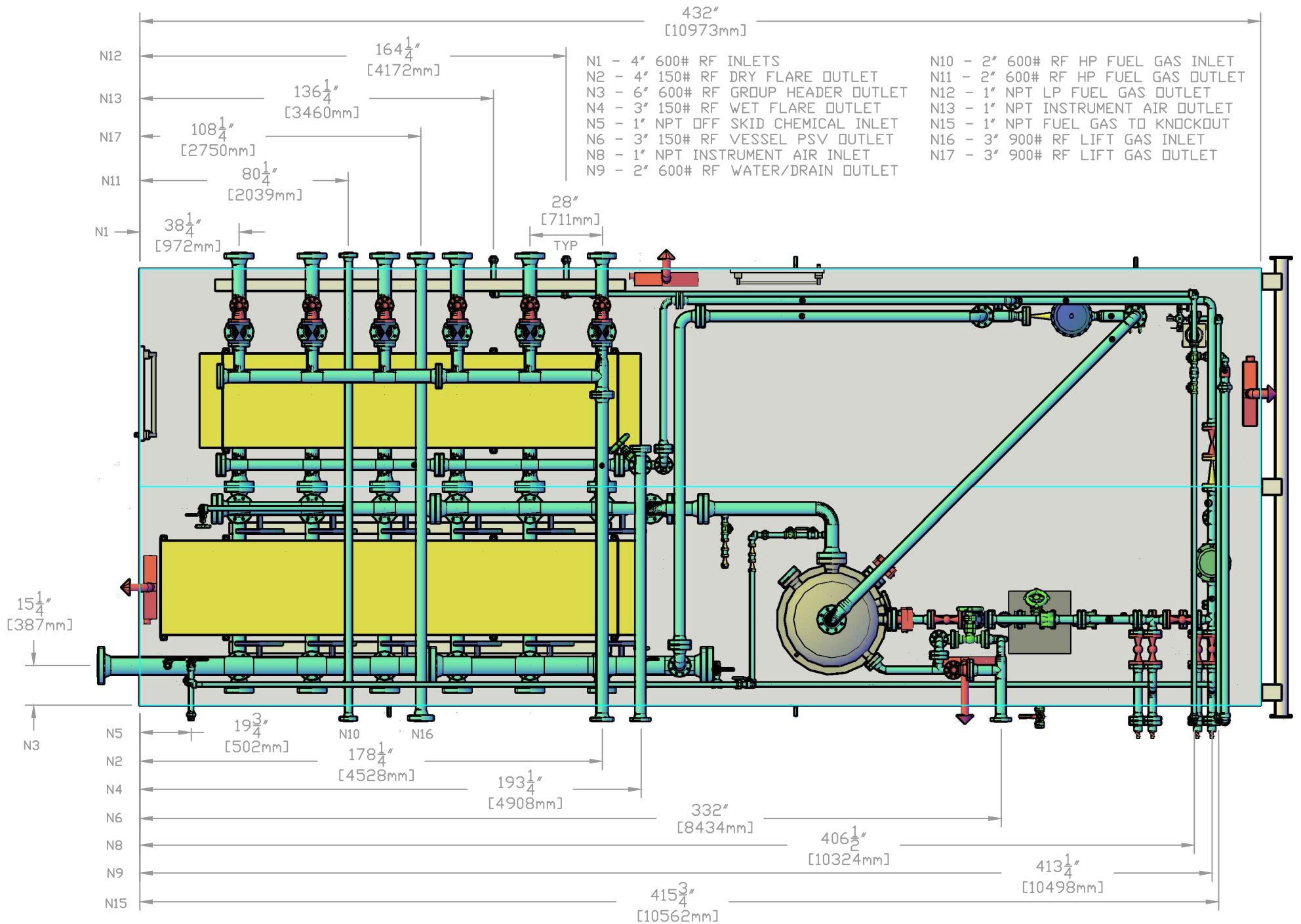
**APPROVED**

ISSUED FOR APPROVAL	SM	DEC 5, 25
NO	REVISION	BY DATE

DRAWN	CHECKED	APPROVED
DATE	DATE	DATE
NO	NO	NO

DATE	REV
DEC 5, 2025	1

TAK JOB# 11457



TOP LAYOUT VIEW

DATE DEC 5, 2025

NUVISTA ENERGY LTD.  
 05-28-071-09 W6M  
 6 WELL METER SKID  
 36" TEST SEPARATOR  
 ORDERED LAYOUT DESIGN



**APPROVED**

ISSUED FOR APPROVAL	SM	DEC 5, 25
NO	REVISION	BY DATE

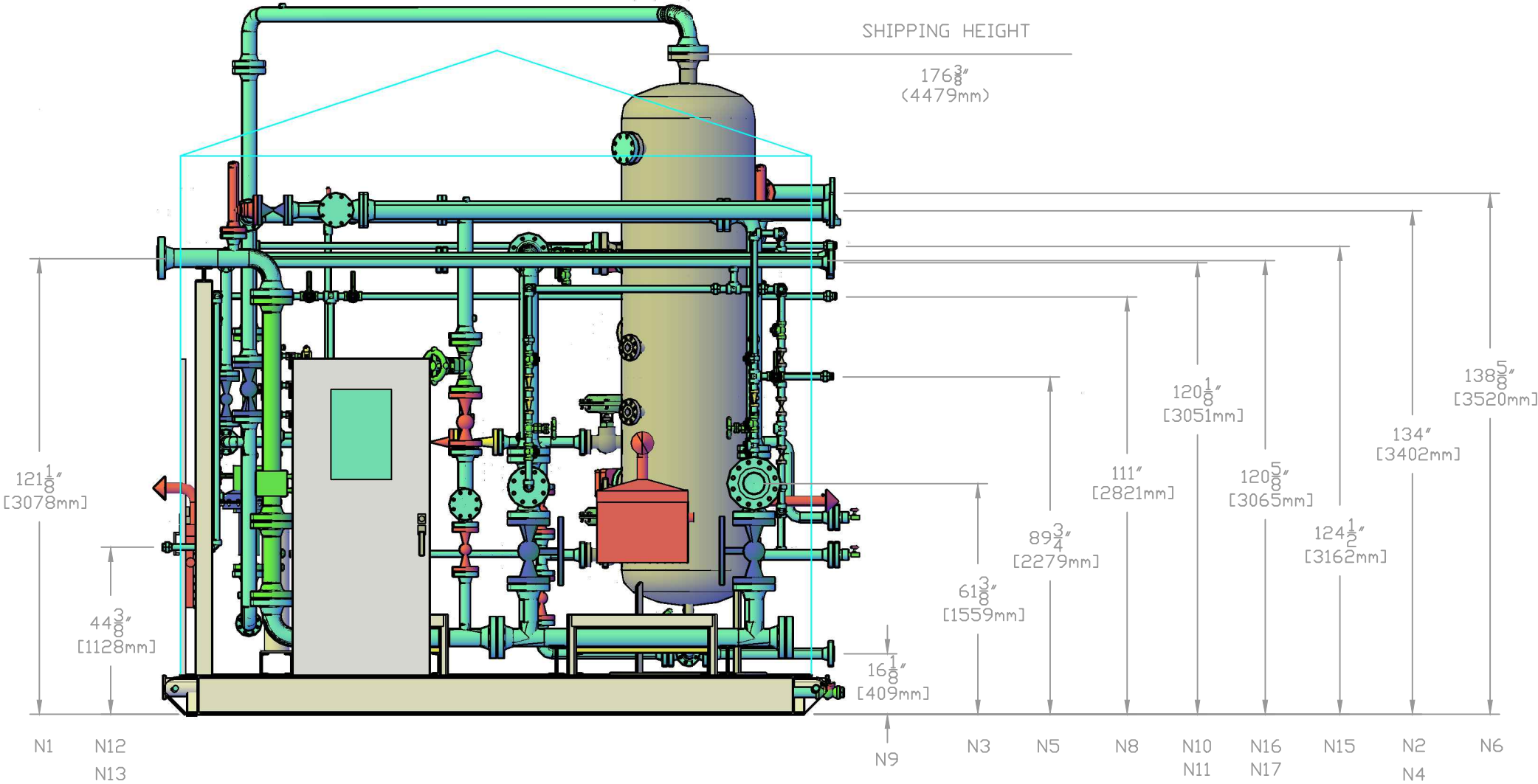
DRAWN	CHEK	APPROVED
DATE	DATE	DATE
SH NO	REV	

NO	REV	
----	-----	--

TAK JOB# 11457

- N1 - 4" 600# RF INLETS
- N2 - 4" 150# RF DRY FLARE OUTLET
- N3 - 6" 600# RF GROUP HEADER OUTLET
- N4 - 3" 150# RF WET FLARE OUTLET
- N5 - 1" NPT OFF SKID CHEMICAL INLET
- N6 - 3" 150# RF VESSEL PSV OUTLET
- N8 - 1" NPT INSTRUMENT AIR INLET
- N9 - 2" 600# RF WATER/DRAIN OUTLET

- N10 - 2" 600# RF HP FUEL GAS INLET
- N11 - 2" 600# RF HP FUEL GAS OUTLET
- N12 - 1" NPT LP FUEL GAS OUTLET
- N13 - 1" NPT INSTRUMENT AIR OUTLET
- N15 - 1" NPT FUEL GAS TO KNOCKOUT
- N16 - 3" 900# RF LIFT GAS INLET
- N17 - 3" 900# RF LIFT GAS OUTLET



BACK LAYOUT VIEW

DATE DEC 5, 2025

NUVISTA ENERGY LTD.  
05-28-071-09 W6M  
WELL METER SKID  
36" TEST SEPARATOR  
LAYOUT DESIGN



APPROVED

ISSUED FOR APPROVAL	SM	DEC 5, 25
NO	REVISION	BY DATE

DRAWN	CHECKED	APPROVED
DATE	DATE	DATE

SH NO	REV
-------	-----

TAK JOB# 11457