

REFERENCE SEQUENCE OF OPERATION FOR COMMUNICATION APPLICATIONS/CONFIGURATIONS.

| | | | | | |
|--|--|------------------------|--|---|--|
| | | SYSTEM OVERVIEW | | DRAWN BY AT CHK'D BY APP'D BY DATE 7-31-24 SCALE NONE | |
| FOR ITUS GLOBAL, INC. | | MICRO LNG SYSTEMS PLC | | REF. NO. | |
| DWG. NO. 52-30-13155 | | YOUR NO. | | REV. | |
| SHEET 1 OF 12 | | DESCRIPTION | | DCN No. | |
| THIS DOCUMENT OR DRAWING IS THE PROPERTY OF FW MURPHY PRODUCTION CONTROLS & COVERS CONTROLS AND/OR CIRCUITS ON WHICH U.S. & FOREIGN PATENTS HAVE POTENTIALLY BEEN ISSUED OR APPLIED FOR. NO PART MAY BE REPRODUCED OR USED WITHOUT THE CONSENT OF THE OWNER. FW MURPHY PRODUCTION CONTROLS IS NOT RESPONSIBLE FOR COPIES OF THIS DRAWING NOT APPROVED BY AN AUTHORIZED FW MURPHY PRODUCTION CONTROLS REPRESENTATIVE. | | PROJ ENGR | | DATE | |

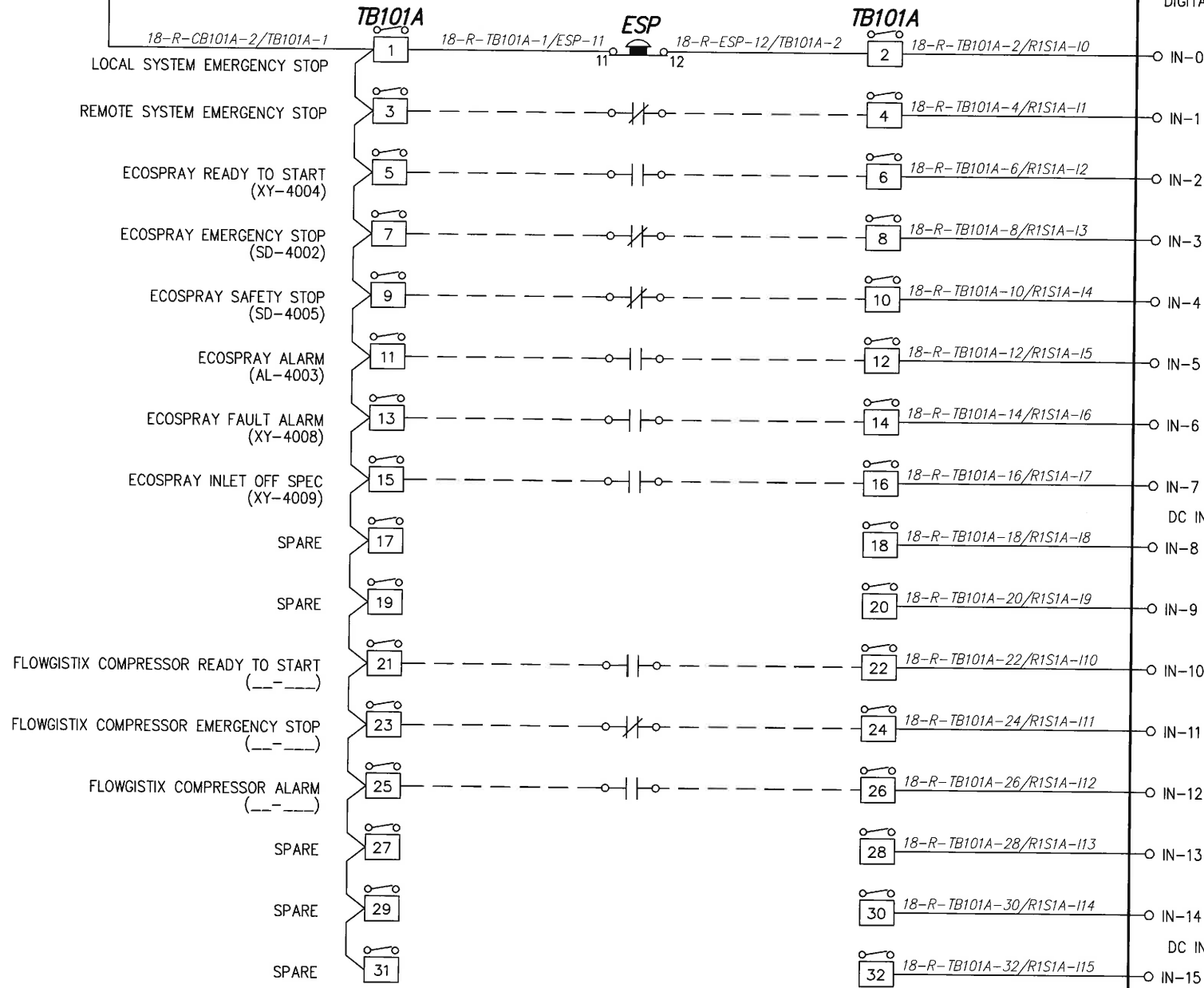
FROM CB101A
SHEET 2

FROM TB2
SHEET 2

FROM TB2
SHEET 2

**RACK 1
SLOT 1A**

1769-L24ER-QBFC1B
DIGITAL INPUT



THIS DOCUMENT OR DRAWING IS THE
PROPERTY OF FW MURPHY PRODUCTION
CONTROLS & COVERS CONTROLS AND/OR
CIRCUITS ON WHICH U.S. & FOREIGN
PATENTS HAVE POTENTIALLY
BEEN ISSUED OR APPLIED FOR.
NO PART MAY BE REPRODUCED OR USED
WITHOUT THE CONSENT OF THE OWNER.
FW MURPHY PRODUCTION CONTROLS
IS NOT RESPONSIBLE FOR COPIES
OF THIS DRAWING NOT APPROVED
BY AN AUTHORIZED FW MURPHY
PRODUCTION CONTROLS REPRESENTATIVE.

| REV. | DESCRIPTION | DCN No. | DATE | PROJ ENGR |
|------|-------------|---------|------|-----------|
| | | | | |

| | | | | | | |
|----------|----|----------|----------|---------|-------|------|
| DRAWN BY | AT | CHK'D BY | APP'D BY | DATE | SCALE | NONE |
| | | | | 7-31-24 | | |

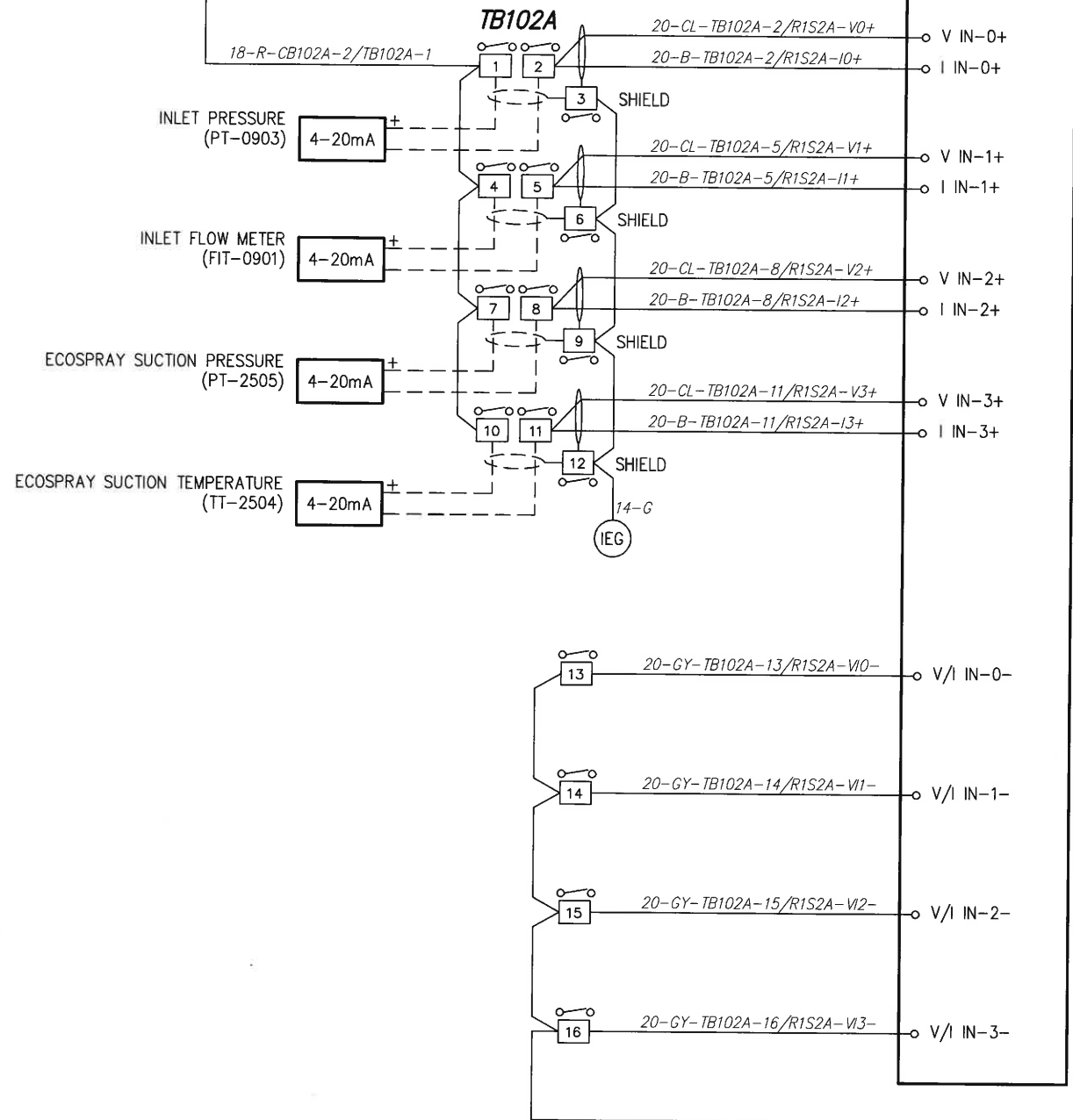
| | | | |
|------------|--------------------------|----------|---------|
| I/O MODULE | MICRO LNG SYSTEMS PLC | YOUR NO. | REF NO. |
| | | | |

FROM CB102A
SHEET 2

FROM TB2
SHEET 2

**RACK 1
SLOT 2A**

1769-L24ER-QBFC1B
ANALOG INPUT



18-GY-TB102A-16/TB2-10

THIS DOCUMENT OR DRAWING IS THE PROPERTY OF FW MURPHY PRODUCTION CONTROLS & COVERS CONTROLS AND/OR CIRCUITS ON WHICH U.S. & FOREIGN PATENTS HAVE POTENTIALLY BEEN ISSUED OR APPLIED FOR. NO PART MAY BE REPRODUCED OR USED WITHOUT THE CONSENT OF THE OWNER. FW MURPHY PRODUCTION CONTROLS IS NOT RESPONSIBLE FOR COPIES OF THIS DRAWING NOT APPROVED BY AN AUTHORIZED FW MURPHY PRODUCTION CONTROLS REPRESENTATIVE.

| REV. | DESCRIPTION | DCN No. | DATE | PROJ ENGR |
|------|-------------|---------|------|-----------|
| | | | | |
| | | | | |
| | | | | |
| | | | | |

DRAWN BY AT
CHK'D BY
APP'D BY
DATE 7-31-24
SCALE NONE

I/O MODULE
MICRO LNG
SYSTEMS PLC
YOUR NO.
REF NO.


FW MURPHY
PRODUCTION CONTROLS
FOR
ITUS GLOBAL, INC.
DWG. NO. 52-30-13155
REV.

PANEL LEGEND

| ITEM | PART NO. | QTY | MANUFACTURER | MFR. PART NO. | DESCRIPTION | 3RD PARTY | HAZ/AREA CLASS | GAS GRP | TEMP CODE | AMBIENT TEMP RANGE(°C) | CSA ANNEX |
|---|----------|-----|--------------|-----------------------|---------------------------------------|-----------|----------------|---------|-----------|------------------------|-----------|
| SW1-3 | 00034902 | 3 | BARTEC | 05-0003-0009/00 | 2 POSITION SELECTOR SWITCH | cCSAus | CID2 | A-D | T6 | -40°C TO 70°C | A |
| | 00034901 | 3 | BARTEC | 07-3323-4200 | 2 N.O. CONTACT BLOCKS | cCSAus | CID2 | A-D | T6 | -55°C TO 60°C | A |
| ESP | 00034900 | 1 | BARTEC | 05-0003-0008/04 | EMERGENCY STOP PUSHBUTTON | cCSAus | CID2 | A-D | T6 | -40°C TO 70°C | A |
| | 00034899 | 1 | BARTEC | 07-3323-4100 | 2 N.C. CONTACT BLOCK | cCSAus | CID2 | A-D | T6 | -55°C TO 60°C | A |
| | 00034897 | 1 | BARTEC | 05-0032-0010 | PUSHBUTTON GUARD | NA | NA | NA | NA | NA | C |
| PL1-2 | 00034893 | 2 | BARTEC | 07-3353-4140 | WHITE PILOT LIGHT MODULE | cCSAus | CID2 | A-D | T6 | -55°C TO 60°C | A |
| | 00034894 | 2 | BARTEC | 05-0003-0016/00 | WHITE PILOT LIGHT LENS | cCSAus | CID2 | A-D | T6 | -40°C TO 70°C | A |
| L1-2 | 00034955 | 2 | BANNER | HLS28XW285XM | LED PANEL LIGHT, MOTION ACTIVATED | cULus | CID2 | A-D | T4 | -40°C TO 60°C | A |
| | 00034626 | 2 | BANNER | SMBWLSMAG | MAGNET MOUNTING KIT | NA | NA | NA | NA | NA | C |
| TB1,TB6 | 00031356 | AR | PHOENIX | 3044160 (UT10) | SINGLE TERMINAL BLOCK (PRIMARY POWER) | cULus-R | NA | NA | NA | -60°C TO 110°C | B |
| | 00030753 | AR | PHOENIX | 3047028 (CD-UT2,5/10) | END COVER | NA | NA | NA | NA | -60°C TO 105°C | C |
| TB2-5, TB101A-B, TB102A-B, TB104, TB106-107 | 00031359 | AR | PHOENIX | 3046485 (UT6-TG) | SINGLE TERMINAL BLOCK W/PLUG TOP | cULus-R | NA | NA | NA | -60°C TO 110°C | B |
| | 00032637 | AR | PHOENIX | 3036783 (P-DI) | KNIFE EDGE/ISOLATING PLUG FOR UT6-TG | CSA | NA | NA | NA | -60°C TO 105°C | B |
| TB-ALL | 00000352 | AR | PHOENIX | 0800307 (UBE/D) | TERMINAL BLOCK GROUP MARKER | NA | NA | NA | NA | -40°C TO 100°C | C |
| EPG, IEG | 50226383 | 2 | STORM | FWM-IGB | GROUND BAR, ISOLATED | NA | NA | NA | NA | NA | C |

AR = AS REQUIRED

NOTES:


- FACTORY WIRING: _____
 CUSTOMER WIRING: _____
 END USER WIRING: _____
 PNEUMATIC 1/4" TUBING: _____
 PNEUMATIC 3/8" TUBING: _____
- 1/4 TUBING: 4400 PSI & BELOW USE .035 WELDED 316 SST.
 BETWEEN 4400 & 10,300 PSI USE .065 SEAMLESS 316 SST.
 3/8 TUBING: 2800 PSI & BELOW USE .035 WELDED 316 SST.
 BETWEEN 2800 & 6600 PSI USE .065 SEAMLESS 316 SST.
 FITTINGS: STAINLESS STEEL
- ROUTE SENSOR LEADS SEPARATE FROM ALL OTHER WIRING.
- "18-B-CB1-1/SW1-14" REPRESENTS "AWG-WIRE COLOR-WIRE NUMBER".
- CAUTION:** DISCONNECT ALL SENSOR LEADS & REMOVE MODULES FROM RACK BEFORE WELDING.
- THIS PANEL IS DESIGNED FOR USE IN CLASS I, DIV. 2, GROUP C & D & CLASS I ZONE 2, GROUP IIA & IIB HAZARDOUS LOCATIONS.
- GROUND SYMBOLS WILL BE SHOWN PER THE FOLLOWING:
 EARTH GROUND EARTH PROTECTIVE GROUND INSTRUMENT ELECTRONIC GROUND

- UNLESS OTHERWISE NOTED ALL DEVICES ARE SHOWN IN THE SHELF POSITION.
- ALL UNASSIGNED SPARE TERMINALS SHALL BE PLACED ON SEPARATE "SPARE TB".
- SEE PACKAGER PI&D DRAWINGS FOR DEVICE TAGS.
- WARNING:** ALL WIRING SHALL BE INSTALLED AS PERMITTED BY THE CEC/NEC CLASS I, DIV. 2/ZONE 2 HAZARDOUS LOCATIONS.
- ALL WIREWAYS WILL BE AFFIXED VIA TAPE & STUDS OR SCREWS AS NECESSARY.
- ALL DINRAILS ARE REQUIRED TO BE GROUNDED TO IEG OR EPG AS INDICATED ON PANEL LAYOUT WITH 14 AWG WIRE. IEG=GREEN & EPG=GREEN/YELLOW
- ALL WIRE TAGS SHALL BE INSTALLED UPRIGHT.

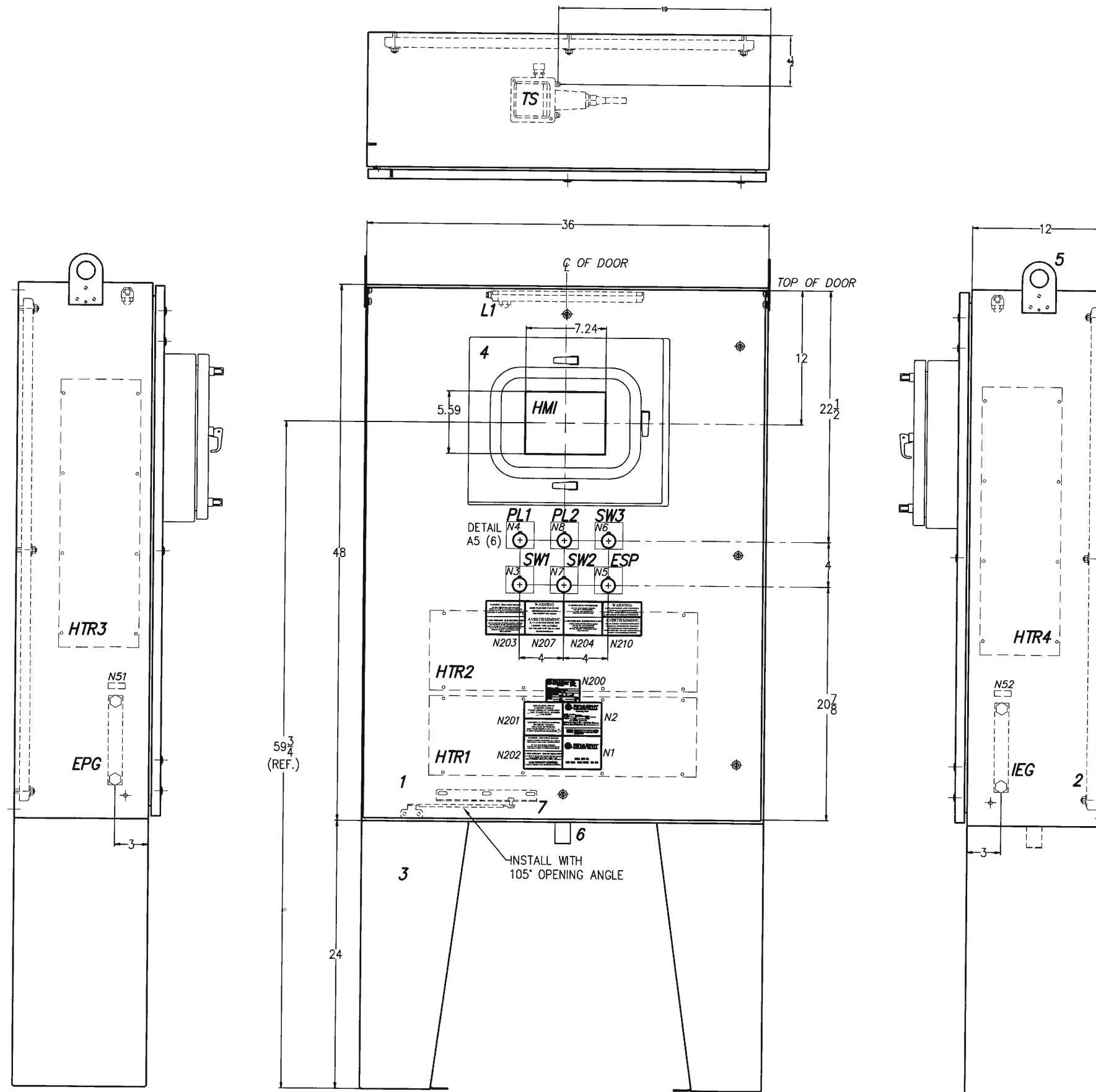
THIS DOCUMENT OR DRAWING IS THE PROPERTY OF FW MURPHY PRODUCTION CONTROLS & COVERS CONTROLS AND/OR CIRCUITS ON WHICH U.S. & FOREIGN PATENTS HAVE POTENTIALLY BEEN ISSUED OR APPLIED FOR. NO PART MAY BE REPRODUCED OR USED WITHOUT THE CONSENT OF THE OWNER. FW MURPHY PRODUCTION CONTROLS IS NOT RESPONSIBLE FOR COPIES OF THIS DRAWING NOT APPROVED BY AN AUTHORIZED FW MURPHY PRODUCTION CONTROLS REPRESENTATIVE.

| REV. | DESCRIPTION | DCN No. | DATE | PROJ ENGR |
|------|-------------|---------|------|-----------|
| | | | | |
| | | | | |
| | | | | |

| | |
|----------|---------|
| DRAWN BY | AT |
| CHK'D BY | |
| APP'D BY | |
| DATE | 7-31-24 |
| SCALE | NONE |

| | |
|-----------------------|--|
| PANEL LEGEND | |
| MICRO LNG SYSTEMS PLC | |
| REF. NO. | |
| YOUR NO. | |


 FOR
ITUS GLOBAL, INC.
 DWG. NO. **52-30-13155**
 REV.



UNLESS OTHERWISE NOTED
 DIMENSIONS ARE IN INCHES
 .xx ±.030 ANGLES ±2°
 .xxx ±.010 √ 125
 FRACTIONS ±1/16

| | | | | | |
|--|----------|--------------------------|-----------------|--------------------------------|----------------|
| FW MURPHY PRODUCTION CONTROLS | | ITUS GLOBAL, INC. | | DWG. NO. 52-29-13155 | REV. 1 OF 4 |
| PANEL LAYOUT | | MICRO LNG SYSTEMS PLC | | YOUR NO. | REF. NO. |
| DRAWN BY AT | CHK'D BY | APP'D BY | DATE 7-31-24 | SCALE NONE | REV. |
| DESCRIPTION | | | DCN No. | DATE | PROJ ENGR |
| THIS DOCUMENT OR DRAWING IS THE PROPERTY OF FW MURPHY PRODUCTION CONTROLS & COVERS CONTROLS AND/OR CIRCUITS ON WHICH U.S. & FOREIGN PATENTS HAVE POTENTIALLY BEEN ISSUED OR APPLIED FOR. NO PART MAY BE REPRODUCED OR USED WITHOUT THE CONSENT OF THE OWNER. FW MURPHY PRODUCTION CONTROLS IS NOT RESPONSIBLE FOR COPIES OF THIS DRAWING NOT APPROVED BY AN AUTHORIZED FW MURPHY PRODUCTION CONTROLS REPRESENTATIVE. | | | | | |

