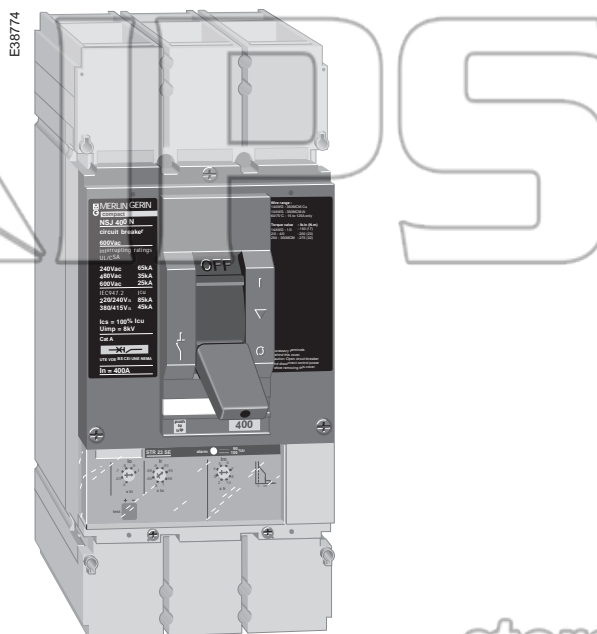


# Molded case circuit breaker

## COMPACT<sup>®</sup> NS NSJ400 and NSJ600 Circuit Breakers

The new COMPACT NS line achieves a significant technical advance in the evolution of molded case circuit breakers. These circuit breakers use an entirely new technology in current interruption. Short-circuit protection is enhanced by a unique double rotating break (dual break system) which brings an exceptional current limitation and outstanding endurance on repetitive short-circuit interruptions. COMPACT NS circuit breakers offer a continuous energy supply and convenience of operation:

- Compliance with most standards and agreements worldwide.
- Suitability for isolation with positive break indication.
- On request, numerous functions for indication, measurement and control available.
- Moisture and fungus protection.
- Reinforced insulation.
- Snap-in field-installable accessories.
- Reverse feeding.
- Maintenance-free operation.



### Compliance with standards

USA	UL 489
Canada	CSA C22.2 No.5.1
Mexico	NOM J 266
International	IEC 947-1 to 3
Europe	EN 60947
France	NF EN 60947-2
Germany	VDE 0660
Great Britain	BS EN 60947-2
Italy	CEI EN 60947-2

### Mounting

- Fixed.
- Plug-in.
- Drawout.

### Connections

- Busbar connection or compression lugs.
- Pressure-type terminals for bare cables.
- Rear connections.

store.ips.us

### Interrupting ratings (RMS sym. kAmps)

NSJ400 - NSJ600		N	H	L
UL 489 Listed and CSA C22.2 No.5.1 Certified				
	240 V	65	100	150
	480 V	35	65	100
	600 V	18	25	25
IEC 947-2 and other Certifications				
Icu	220/240 V	85	100	150
	380/415 V	45	70	150
	440 V	42	65	130
	690 V	10	20	35
	Ics (% Icu)	100%	100%	100%



**SQUARE D**  
GROUPE SCHNEIDER

## Electronic trip unit

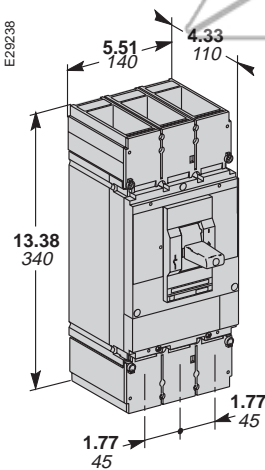
Type			STR23SP	STR53UP
Current sensors		In	150, 250, 400, 600 A	150, 250, 400, 600 A
Long time	Currents setting	Ir	0.4–1 x In	0.4–1 x In
	Delay at 1.5 Ir (sec)	min/max	Fixed: 120–180	Adjustable: 17–25, 34–50, 69–100, 138–200, 277–400
Short time	Pickup	Im	2–9 x Ir	1.5–7 x Ir
	Delay		Fixed	0–0.1–0.2–0.3
Instantaneous		I	≥ 9 x In	1.5–9 x In
Ground fault	Pickup	Ih		0.2–1 x In
	Delay			0.1–0.2–0.3–0.4

## Magnetic trip unit for motor circuit protection

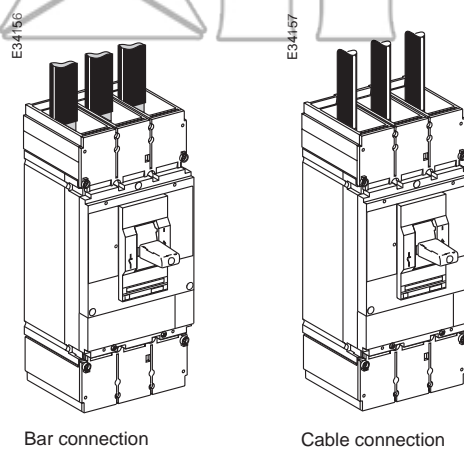
Rated current (A)	In	40°C	400	600
		NSJ400HC	■	
		NSJ600HC		■
Tripping threshold	Im	Magnetic	Adjustable: 5–10 x In	

## Installation and connection (inch/mm)

### Dimensions



### Busbar or cable connection



### Cable range

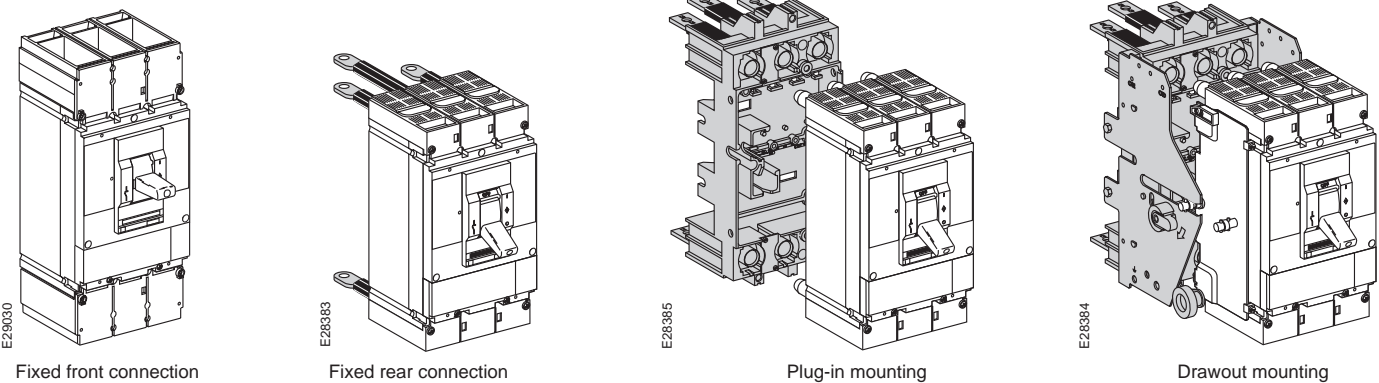
NSJ400/600	
1 cable	1 to 2 cables
#2 AWG–600 kcmil Cu	#2/0 AWG–350 kcmil Cu
#2 AWG–500 kcmil Al	#2/0 AWG–500 kcmil Al
35–300 mm <sup>2</sup> Cu	70–240 mm <sup>2</sup> Al

### Weight (lbs/kg)

NSJ400	3P	13.24/6
NSJ600	3P	13.24/6

store.ips.us

## Installation



## Auxiliary devices for indication and control

- Direct or extended rotary handle.
- Cable operating handle.
- Padlocking and keylocking devices.
- Motor operator featuring short closing time.
- Maximum of three SPDT auxiliary switches + one alarm switch for tripped position + one alarm switch overcurrent trip switch.
- Shunt trip and undervoltage releases.

Square D Company  
PO Box 3069, 3700 Sixth St. SW  
Cedar Rapids, IA 52406-3069 USA

Technical Services: 1-800-634-2003

COMPACT is a registered trademark of Schneider Electric.

Order No. 0615HO9702 ©1997 Square D All Rights Reserved



**SQUARE D**  
GROUPE SCHNEIDER