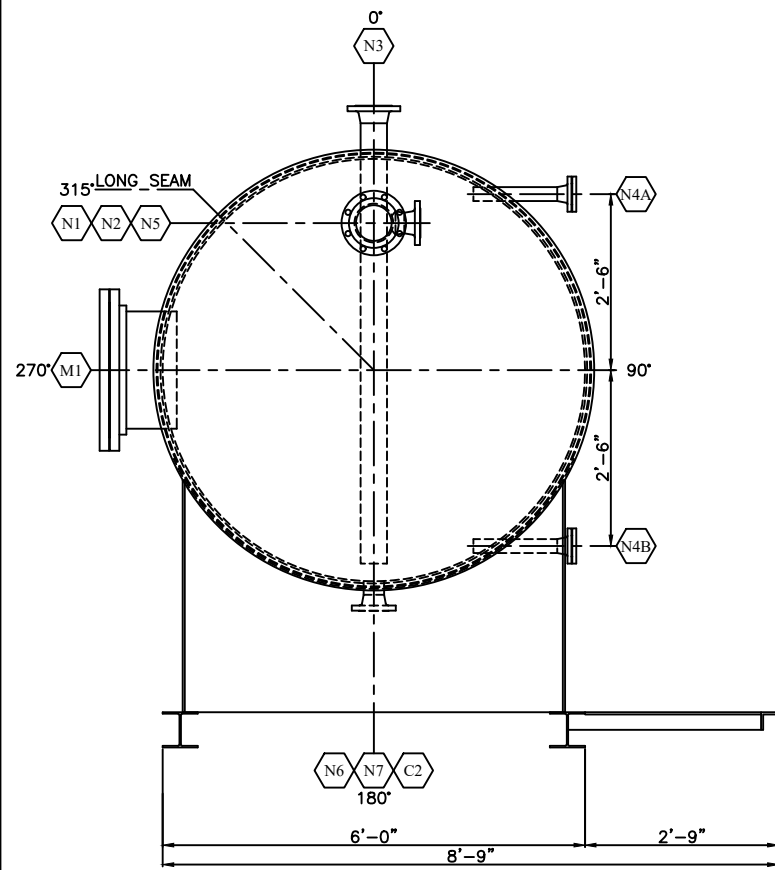


NOZZLE SCHEDULE

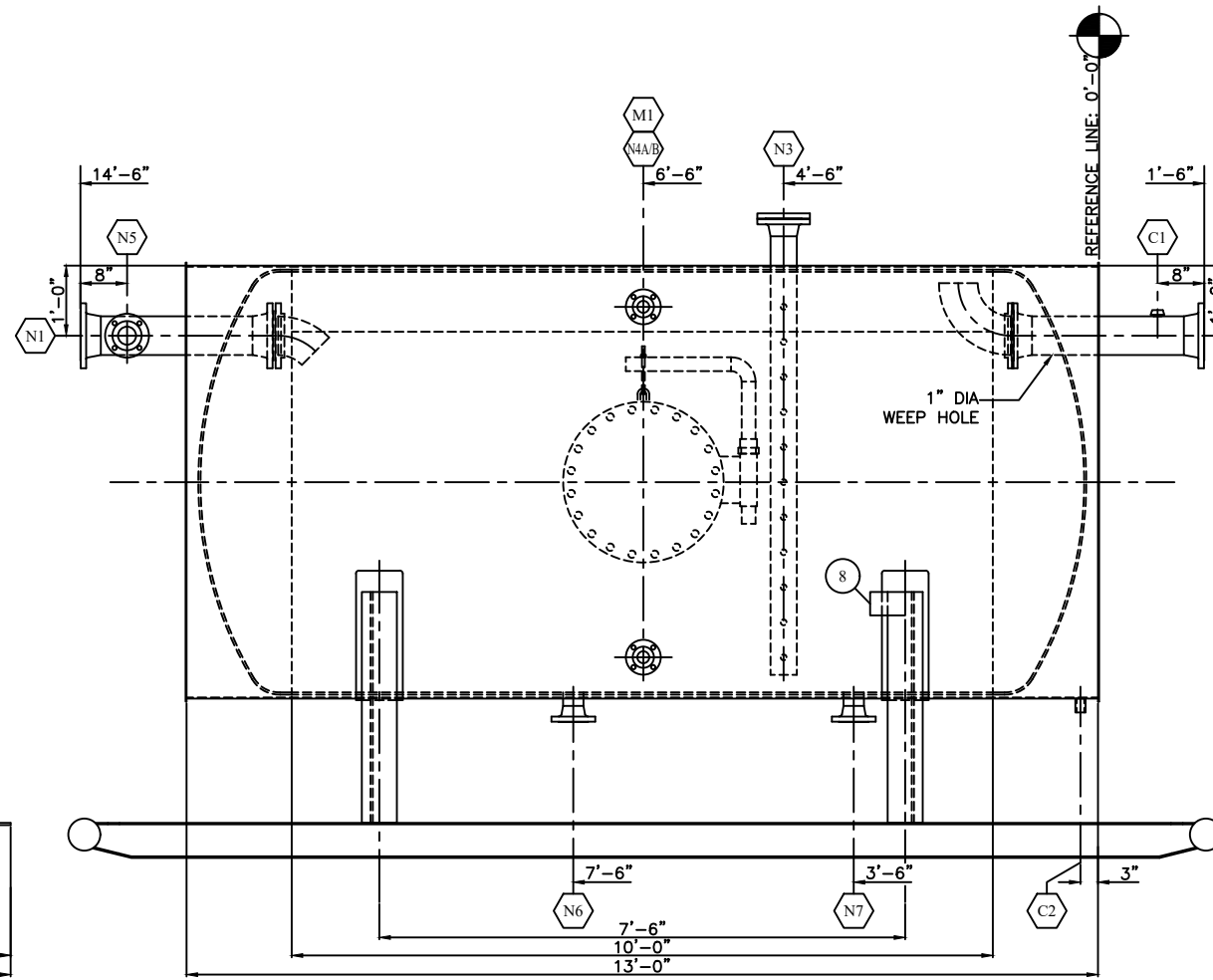
MARK	NO. REQ'D	DESCRIPTION	SIZE	ANSI	TYPE	PROJECTION		WELD DETAIL	WELD		REPAD	BILL OF MATERIALS ITEM NUMBER
						INSIDE	OUTSIDE		A	B		
N1	1	INLET	6"	150#	RFWN	6"	18"	1,4	3/8	-	-	9,10,11,12,13,14,15
N2	1	OUTLET	6"	150#	RFWN	6"	18"	1,4	3/8	-	-	9,10,11,12,13,14,16
N3	1	LEVEL GAUGE	4"	150#	RFWN	SHOWN	8"	1,4	1/4	-	-	17,18,19,20,21,22
N4A/B	2	LEVEL GAUGE	2"	150#	RFWN	1"	12"	1,4	1/4	-	-	17,18,23,24,25,26
N5	1	VAPOUR RETURN	3"	150#	RFWN	-	-	1,3	1/4	-	-	27,28
N6	1	TRUCKOUT	3"	150#	RFWN	FLUSH	4"	1,5	1/4	-	-	27,29
N7	1	SPARE	3"	150#	RFWN	FLUSH	4"	1,5	1/4	-	-	27,29
C1	1	SPARE	1"	3000#	TOL	-	-	3	1/4	-	-	30,31
C2	1	INTERSTITIAL TEST	1"	3000#	CPLG	-	-	3	1/4	-	-	32,33
M1	1	MANWAY	20"	150#	RFSO	1"	8"	2,4	3/8	-	-	34,35,36,37,38,39,40

BILL OF MATERIALS

ITEM	REQ'D	PART	DESCRIPTION	MATERIAL	WEIGHT
1	1	SHELL	3/8" THK x 120" W ROLL TO 72" ID x 228 1/2" LG	SA-516-70N	2900#
2	2	HEAD	3/8" THK x 72" ID F&D HEAD	SA-516-70N	1195#
3	2	SHELL	3/16" THK x 48" W ROLL TO 73 3/4" ID x 19'-5 1/2" LG	SA-36	1190#
4	1	SHELL	3/16" THK x 60" W ROLL TO 73 3/4" ID x 19'-5 1/2" LG	SA-36	745#
5	2	HEAD	3/16" THK x 75 1/4" OD	SA-36	470#
6	2	SADDLE	SADDLES (SEE DWG B381-2 FOR DETAIL)	SA-36	-
7	1	SKID	SKID ASSEMBLY (SEE DWG B381-2 FOR DETAIL)	SA-36	-
8	1	NAMEPLATE	4" x 6" NAMEPLATE BRACKET	SA-36	-
9	4	N1,N2	6" x 150# RFWN FLG SCH XH	SA-105-N	-
10	2	N1,N2	6" x 150# RFSO FLG	SA-105-N	-
11	2	N1,N2	6" x 150# RF FLEX GASKET	304SS	-
12	2	N1,N2	6" PIPE SCH XH x 2'-2" LG (BBE)	SA-106-B	-
13	16	N1,N2	3/4" DIA x 4 1/4" LG STUD	SA-193-B7M	-
14	32	N1,N2	3/4" DIA NUT	SA-194-2HM	-
15	1	N1	6" x 45" LR BW ELBOW SCH XH	SA-234-WPB	-
16	1	N2	6" x 90" LR BW ELBOW SCH XH	SA-234-WPB	-
17	16	N3,N4	5/8" DIA x 3 1/2" LG STUD	SA-193-B7M	-
18	32	N3,N4	5/8" DIA NUT	SA-194-2HM	-
19	1	N3	4" x 150# RFWN FLG SCH XH	SA-105-N	-
20	1	N3	4" x 150# RF BLIND FLG TAPPED TO 1"	SA-105-N	-
21	1	N3	4" x 150# RF FLEX GASKET	304SS	-
22	1	N3	4" PIPE SCH XH x 6'-3 1/8" LG c/w HOLES (BOE,ROE)	SA-106-B	-
23	2	N4	2" x 150# RFWN FLG SCH 160	SA-105-N	-
24	2	N4	2" x 150# RF BLIND FLG TAPPED TO 3/4"	SA-105-N	-
25	2	N4	2" x 150# RF FLEX GASKET	304SS	-
26	2	N4	2" PIPE SCH S160 x 1'-2 3/8" LG (BOE,ROE)	SA-106-B	-
27	3	N5,N6,N7	3" x 150# RFWN FLG SCH XH	SA-105-N	-
28	1	N5	3" x 6" SCH XH WLEDOLET	SA-105-N	-
29	2	N6,N7	3" PIPE SCH XH x 2 3/8" LG (BOE,COE)	SA-106-B	-
30	1	C1	1" x 8" x 3000# TOL	SA-105-N	-
31	1	C1	1" HEX PLUG	SA-105-N	-
32	1	C2	1" x 3000# FULL CPLG	SA-105-N	-
33	1	C2	VACUUM GAUGE ASSMBLY (ABOVE GROUND HORIZONTAL)	-	-
34	1	M1	20" x 150# RFSO FLG	SA-105-N	-
35	1	M1	20" x 150# RF BLIND FLG	SA-105-N	-
36	1	M1	20" x 150# RF FLEX GASKET	304SS	-
37	1	M1	20" PIPE SCH STD x 11" LG (COE,ROE)	SA-106-B	-
38	20	M1	1 1/8" DIA x 6 1/4" LG STUD	SA-193-B7M	-
39	40	M1	1 1/8" DIA NUT	SA-194-2HM	-
40	1	M1	20" x 150# STANDARD DAVIT ARM	-	-



ORIENTATION VIEW A-A

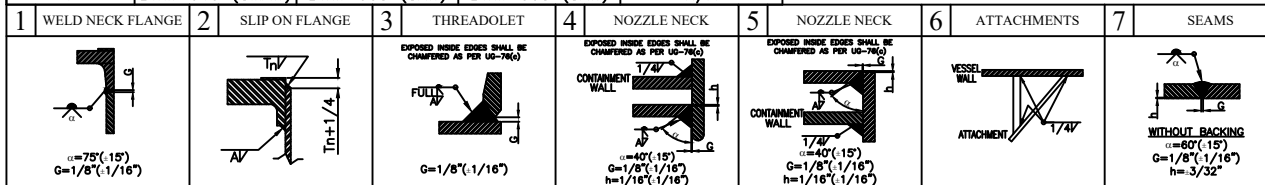


ELEVATION VIEW

GENERAL NOTES

- DESIGN SPECIFICATIONS:
 DESIGN PRESSURE: 50 PSI
 MAWP: 14.9 PSI @ 100°F
 MDMT: -20°F
 CORROSION ALLOWANCE: 1/8"
 HYDROTEST PRESSURE: 75 PSI
 RADIOGRAPHY: NIL
- AIR/SOAP LEAK TEST SHALL BE PERFORMED ON CONTAINMENT
- INTERNAL SHELL & HEAD MATERIAL: SA-516-70N
- EXTERNAL SHELL & HEAD MATERIAL: SA-36
- FLANGE MATERIAL: SA-105-N
- PIPE MATERIAL: SA-106-B
- BOLTING MATERIAL: SA-193-B7M/SA-194-2HM
- INTERNAL SANDBLAST TO SSPC-SP5 (WHITE)
- INTERNALLY COATED: DEVOE 253 AS PER MANUFACTURER'S SPECS
- EXTERNAL SANDBLAST TO SSPC-SP6 (COMMERCIAL)
- EXTERNALLY COATED:
 ALL AREAS: ONE (1) COAT PRIMER
 NON-INSULATED AREAS: ONE (1) COAT INDUSTRIAL ENAMEL (WHITE)
- INSULATION: 1 1/2" THK RIGID URETHANE WITH ALUMINUM CLADDING
- ALL BOLT HOLES TO STRADDLE CENTERLINE
- ALL OPENINGS TO BE COVERED PRIOR TO SHIPPING
- ALL OUTSIDE PROJECTIONS ARE TO BE MEASURED ALONG THE CENTERLINE OF THE NOZZLE
- ALL INSIDE PROJECTIONS ARE TO BE MEASURED ALONG THE SHORT SIDE OF THE NOZZLE
- FABRICATION TOLERANCE AS PER BILTON WELDING DRAWING NUMBER TOL2002
- 1/4" NPT WEEP HOLE AN ALL REPADS/WEAR PADS
- APPROXIMATE WEIGHT: 10,000 LBS
- OVERALL DIMENSIONS: 10'-0" W x 9'-6" H x 16'-6" LG
- SERIAL NUMBER: 13711

WELD DETAIL NUMBER	REGISTERED WELDING PROCEDURE NUMBER			BACKWELD/GOUGE
	ROOT	HOT PASS	FILL & CAP	
1,2,3,4,5,6	BWM-019 (GMAW)	BWM-019 (GMAW)	BWM-019 (GMAW)	N/A
1 (6" XH)	BWM-001 (GMAW)	BWM-001 (SMAW)	BWM-001 (SMAW)	N/A
7	BWM-019 (GMAW)	BWM-003 (SAW)	BWM-003 (SAW)	N/A



REV. NO.	DATE	REVISION	BY	APP'D
A	03/08/05	ISSUED FOR APPROVAL	DSG	
0	03/11/05	ISSUED FOR FABRICATION	DSG	JAM
1	05/13/05	AS BUILT DRAWING	DSG	JAM

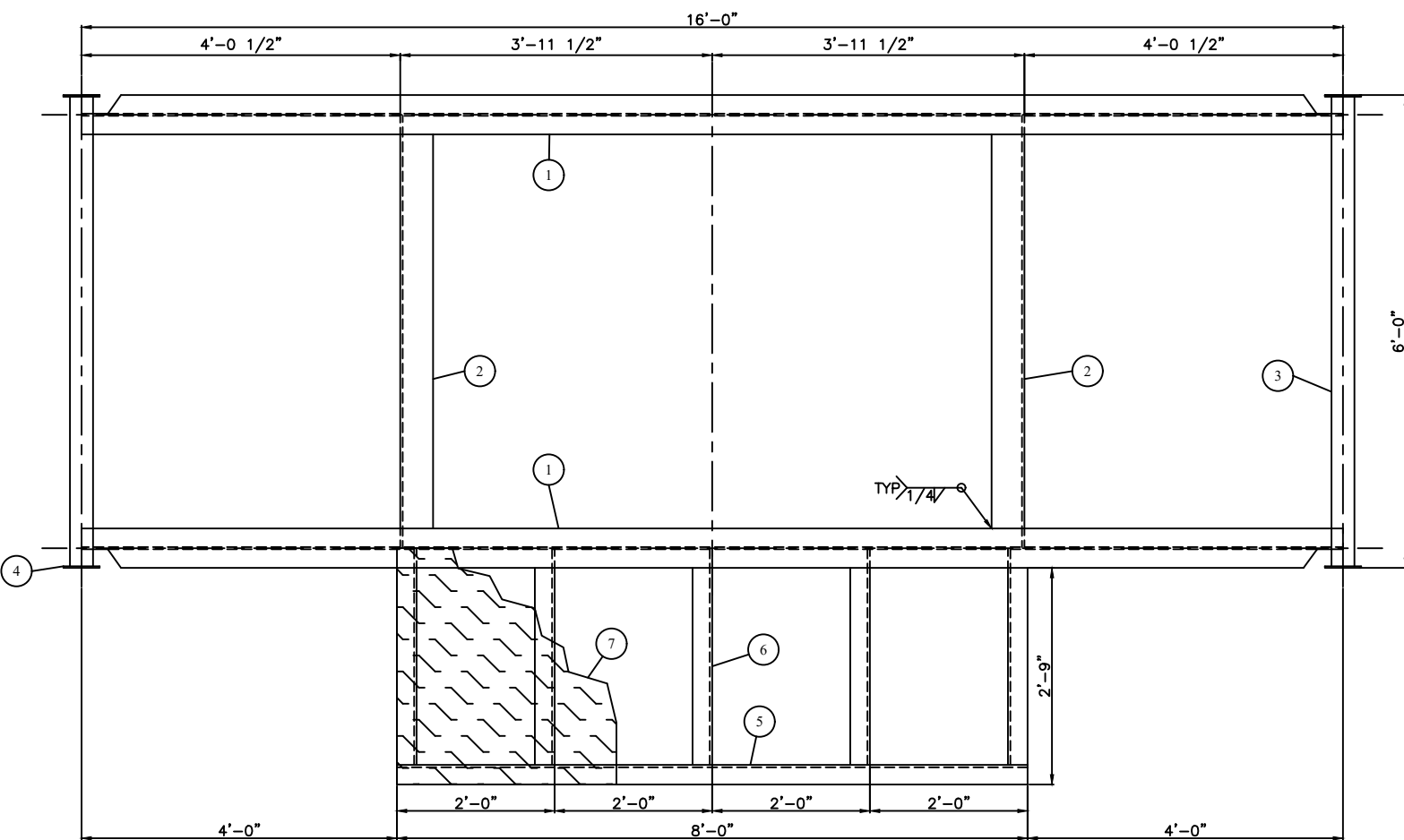
BILTON
 Welding & Manufacturing Ltd.
 BOX 6106
 5815 37 Street
 INNISFAIL, AB
 CANADA
 403-227-7799
 1-888-227-4923
 FAX 227-7796

FAIRBORNE ENERGY LTD.
 60 BBL DOUBLE WALL FLARE KNOCKOUT DRUM
 72" ID x 10'-0" S/S x 14.9 PSI MAWP

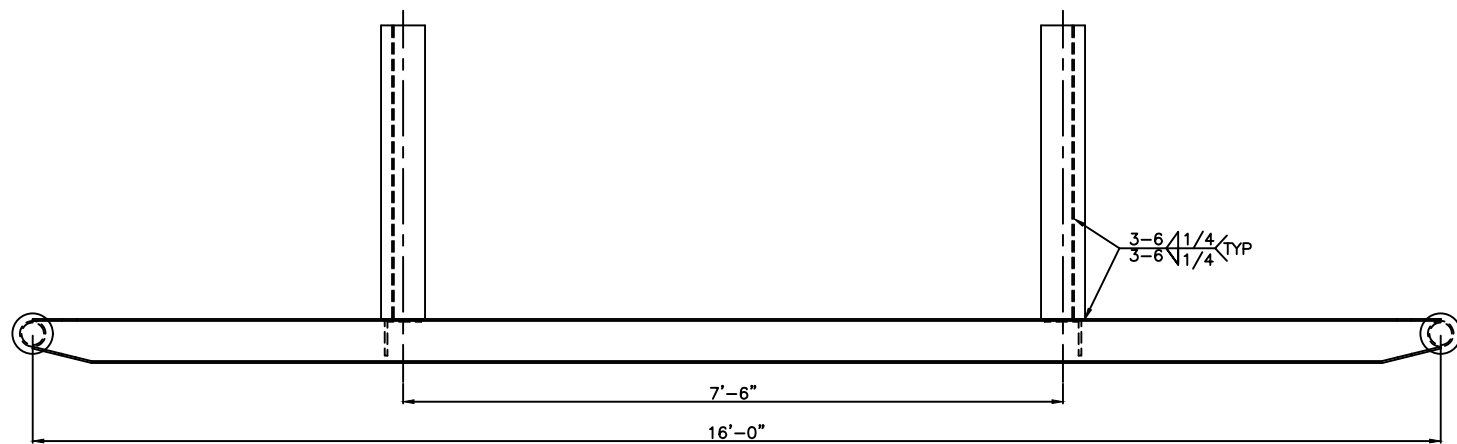
DATE: 03/07/05
 SCALE: N.T.S.
 DRAWN BY: DSG
 PURCHASE ORDER: AFE F05002
 LOCATION: 16-36-44-15 W5M
 CRN DWG: N/A
 CRN NUMBER: N/A

SHEET: 1 OF 5
 JOB NO.: B381
 DRAWING NO.: B381-1
 REV. 1

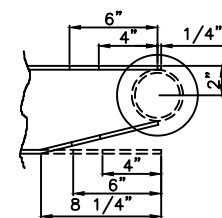
FILE PATH: MAINDATA\CAD\TANKS\B300-B399\B381-2



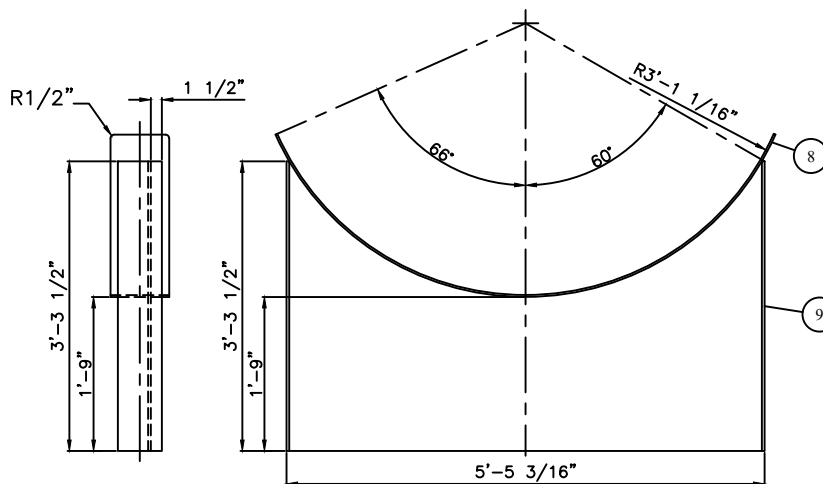
PLAN VIEW



ELEVATION VIEW



COPE DETAIL



SADDLE DETAILS

BILL OF MATERIALS

ITEM	REQ'D	PART	DESCRIPTION	MATERIAL	WEIGHT
1	2	RUNNER	WF6@15# x 16'-0" LG (ROUGH CUT TO 192 1/2")	WF6@15#	485#
2	2	CROSSMEM	5" x 3/8" ANGLE x 5'-5 5/8" LG	SA-36	133#
3	2	PULL	3" STD PIPE x 5'-11 1/2" LG	SA-106-B	90#
4	4	PULLCAP	1/4" THK x 5 1/2" OD	SA-36	5#
5	1	SUPPORT	3" x 3/8" ANGLE x 8'-0" LG	SA-36	75#
6	5	SUPPORT	3" x 3/8" ANGLE x 2'-8 3/4" LG	SA-36	95#
7	1	FLOOR	3/16" THK CHECKERPLATE x 3'-0" W x 8'-0" LG	SA-36	195#
8	2	SADDLE	8" x 1/4" FLATBAR x 7'-2" LG ROLL TO 74 1/8" ID	SA-36	91#
9	4	SADDLE	6" x 3/8" FLATBAR x 3'-3 1/2" LG	SA-36	89#
10	2	SADDLE	3/8" THK x 3'-3 1/2" W x 5'-4 7/16" LG (SEE DETAIL)	SA-36	280#

GENERAL NOTES

1. PRIME: ONE (1) COAT PRIMER
2. PAINT: ONE (1) COAT INDUSTRIAL ENAMEL (WHITE)
3. ALL WELDS FULL PENETRATION, 1/4" FILLETS
4. APPROXIMATE WEIGHT: 1,750 LBS

REV. NO.	DATE	REVISION	BY	APP'D
A	03/08/05	ISSUED FOR APPROVAL	DSG	
0	03/11/05	ISSUED FOR FABRICATION	DSG	JAM
1	05/13/05	AS BUILT DRAWING	DSG	JAM

BILTON
Welding & Manufacturing Ltd.

BOX 6106
5815 37 Street
INNISFAIL, AB
CANADA
403-227-7799
1-888-227-4923
FAX 227-7796

This drawing is property of BILTON WELDING & MANUFACTURING LTD and is loaned to the recipient for their confidential use only. In consideration of the loan of this drawing the recipient promises and agrees that it shall not be used in any way detrimental to the interests of BILTON WELDING & MANUFACTURING LTD, that it shall be returned upon request, and shall not be reproduced, copied, loaned, or otherwise disposed of, directly or indirectly, without the written consent of BILTON WELDING & MANUFACTURING LTD.

FAIRBORNE ENERGY LTD.

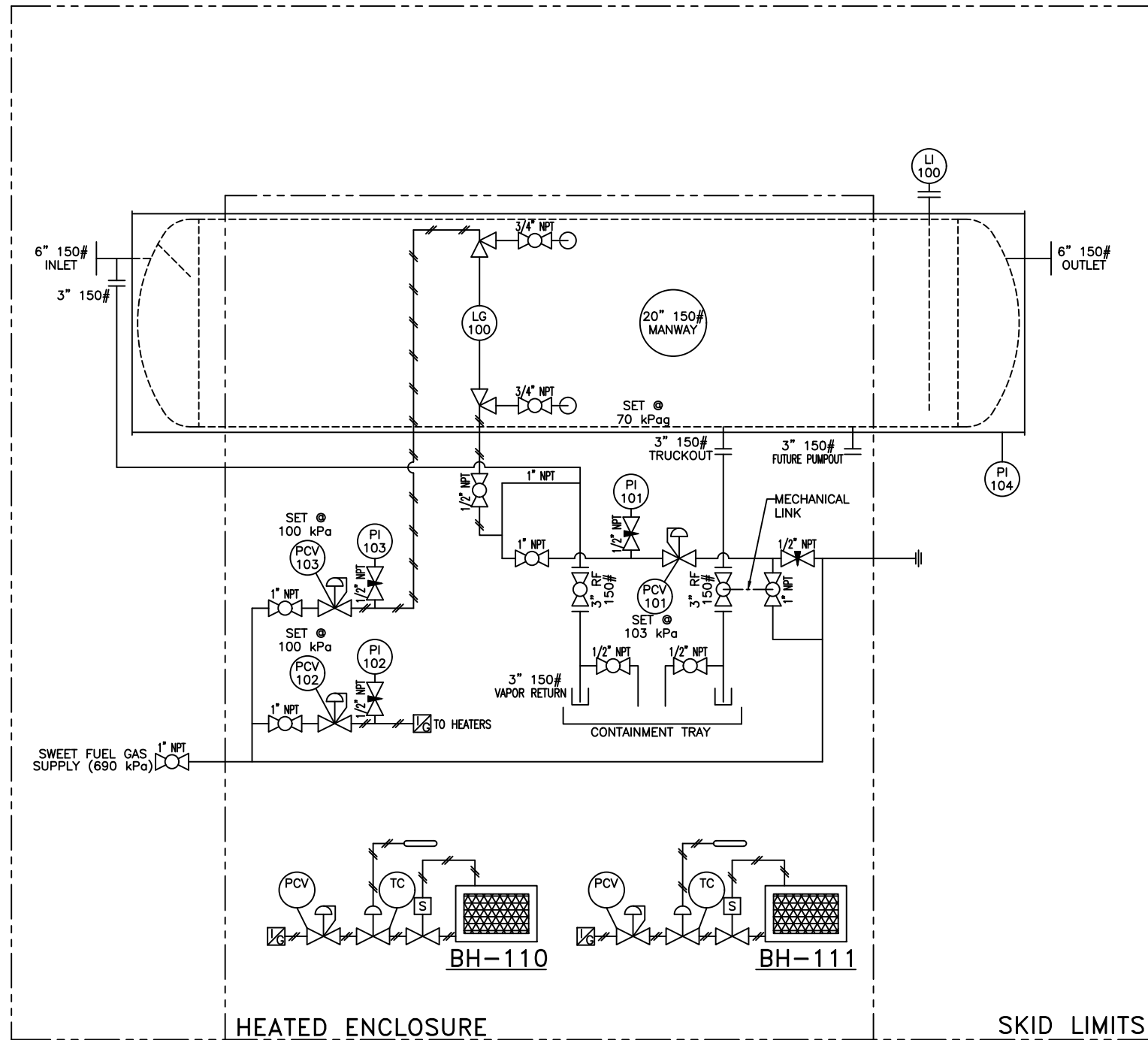
60 BBL DOUBLE WALL FLARE KNOCKOUT DRUM
SKID & SADDLE DETAILS

DATE: 03/07/05
SCALE: N.T.S.
DRAWN BY: DSG
PURCHASE ORDER: AFE F05002
LOCATION: 16-36-44-15 W5M

APP'D BY: JAM

SHEET: 2 OF 5
JOB NO.: B381
DRAWING NO.: B381-2
REV. 1

FILE PATH: \MAINDATA\CAD\TANKS\B300-B399\B381-3



INSTRUMENTATION

TAG	REQ'D	DESCRIPTION
BH-110/111	2	12" x 24" CATADYNE HEATER, 120 VAC NATURAL GAS
LI-100	1	TITAN 1322 LIQUID LEVEL GAUGE (SOUR)
LG-100	2	PENBERTHY 2TM7 LEVEL GAUGE c/w 1 SET OF 330J GAUGE VALVES
PCV-101	1	1" FISHER 627 REGULATOR, DUCTILE IRON BODY, 1/4" ORIFICE, 5-20 SPRING RANGE
PCV-102/103	2	FISHER 67CFR REGULATOR
PI-101/102/103	3	4 1/2" FACE 0-60 PSI WIKA PRESSURE INDICATOR

PIPING

ITEM	REQ'D	DESCRIPTION	MATERIAL
1	2	3" x 150# RF RP WKM BALL VALVE NACE	SA-105-N
2	5	1" x 3000# WKM BALL VALVE	SA-105-N
3	2	3/4" x 3000# WKM BALL VALVE NACE	SA-105-N
4	3	1/2" x 3000# WKM BALL VALVE NACE	SA-105-N
5	4	1/2" x 6000# MALE/FEMALE NEEDLE VALVE NACE	SA-105-N

GENERAL NOTES:

1. PIPING DESIGNED & FABRICATED TO ASME B31.3
2. TUBING MATERIAL: 316SS WELDED c/w 316SS SWAGelok FITTINGS
3. PIPE MATERIAL: SA-106-B
4. FLANGE MATERIAL: SA-105-N
5. BOLTING MATERIAL: SA-193-B7M/SA-194-2HM
6. ALL THREADED FITTINGS SHALL BE 2000#
7. ALL INSTRUMENTS SHALL BE IDENTIFIED WITH STAINLESS STEEL TAGS
8. FUNCTION TEST SHALL BE PERFORMED ON ALL INSTRUMENTS
9. DRAIN ALL WATER FROM ALL INSTRUMENTS

V-100
 FLARE KNOCKOUT DRUM
 72" ID x 10'-0" S/S
 14.9 PSIG @ 100°F
 C.A.: 1/8"
 SERIAL #: 13711
 BUILT: 2005

BH-110/111
 CATADYNE BX-12x24
 DUTY: 12,000 BTU/HR
 120 VAC, NATURAL GAS
 c/w 30'-0" LG CABLES

REV. NO.	DATE	REVISION	BY	APP'D
A	03/08/05	ISSUED FOR APPROVAL	DSG	
0	03/11/05	ISSUED FOR FABRICATION	DSG	JAM
1	04/01/05	CHANGED HEATER TO 120 VAC	DSG	JAM
2	05/13/05	AS BUILT DRAWING	DSG	JAM

BILTON
 Welding & Manufacturing Ltd.
 BOX 6106
 5815 37 Street
 INNISFAIL, AB
 CANADA
 403-227-7799
 1-888-227-4923
 FAX 227-7796

This drawing is property of BILTON WELDING & MANUFACTURING LTD and is loaned to the recipient for their confidential use only. In consideration of the loan of this drawing, the recipient promises and agrees that it shall not be used in any way detrimental to the interests of BILTON WELDING & MANUFACTURING LTD, that it shall be returned upon request, and shall not be reproduced, copied, loan, or otherwise disposed of, directly or indirectly, without the written consent of BILTON WELDING & MANUFACTURING LTD.

FAIRBORNE ENERGY LTD.

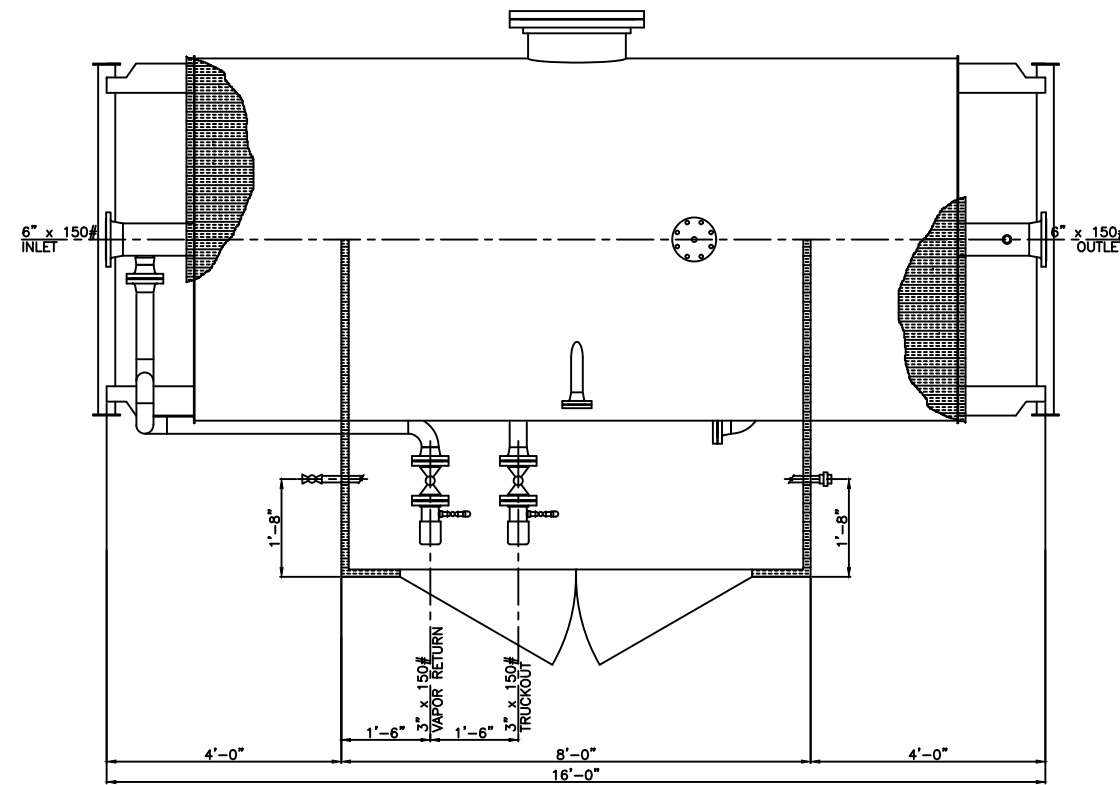
60 BBL DOUBLE WALL FLARE KNOCKOUT DRUM
 P&ID

DATE: 03/08/05	SHEET: 3 OF 5
SCALE: N.T.S.	JOB NO.:
DRAWN BY: DSG	B381
PURCHASE ORDER: AFE F05002	DRAWING NO.:
LOCATION: 16-36-44-15 W5M	B381-3
APP'D BY: JAM	REV. 2

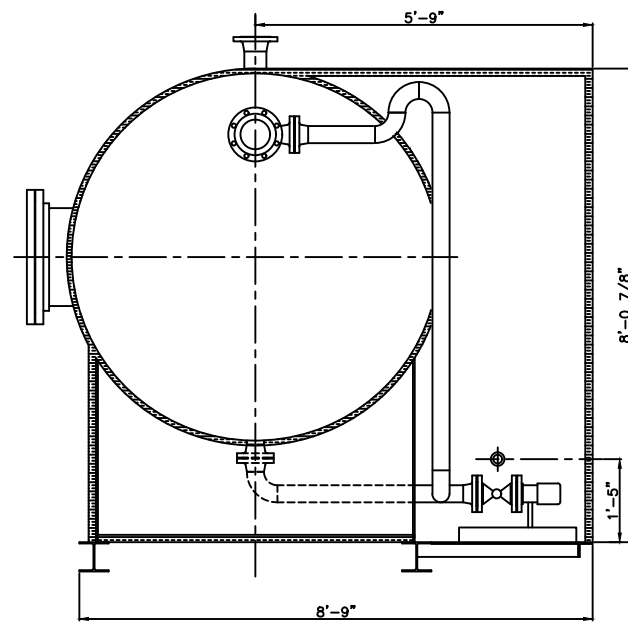
FILE PATH: \MAINDATA\CAD\TANKS\B300-B399\B381-4

BILL OF MATERIALS

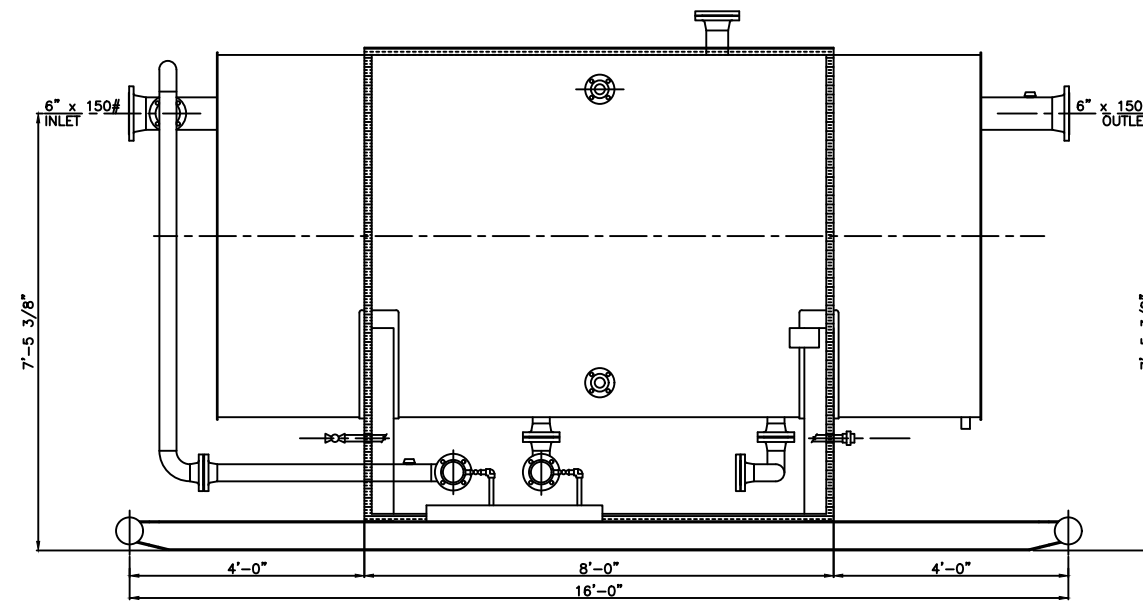
ITEM	REQ'D	PART	DESCRIPTION	MATERIAL	WEIGHT
1	4	INSULATION	1 1/2" x 45" x 13'-6" LG RIGID URETH., CORR & STUCCO EMBOSS ALUM ONE SIDE (CURFS)	-	-
2	2	INSULATION	1 1/2" x 45" x 12'-6" LG RIGID URETH., CORR & STUCCO EMBOSS ALUM ONE SIDE	-	-
3	2	INSULATION	1 1/2" x 45" x 8'-0" LG RIGID URETH., CORR & STUCCO EMBOSS ALUM BOTH SIDES	-	-
4	2	INSULATION	1 1/2" x 45" x 5'-9" LG RIGID URETH., CORR & STUCCO EMBOSS ALUM BOTH SIDES	-	-
5	4	INSULATION	1 1/2" x 45" x 8'-1" LG RIGID URETH., CORR & STUCCO EMBOSS ALUM BOTH SIDES	-	-



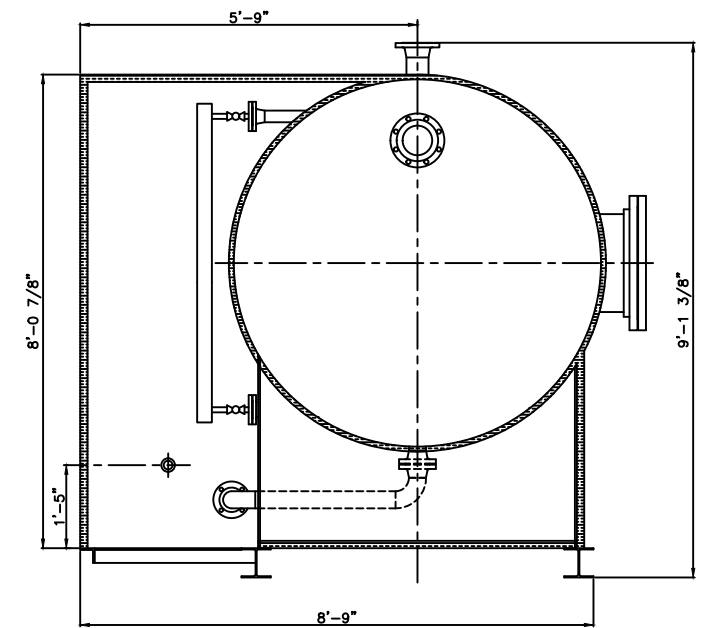
PLAN VIEW



ORIENTATION VIEW A-A



ELEVATION VIEW



ORIENTATION VIEW B-B

REV. NO.	DATE	REVISION	BY	APP'D
A	03/08/05	ISSUED FOR APPROVAL	DSG	
0	03/11/05	ISSUED FOR FABRICATION	DSG	JAM
1	05/13/05	AS BUILT DRAWING	DSG	JAM

BILTON
Welding & Manufacturing Ltd.

BOX 6106
5815 37 Street
INNISFAIL, AB
CANADA
403-227-7799
1-888-227-4923
FAX 227-7796

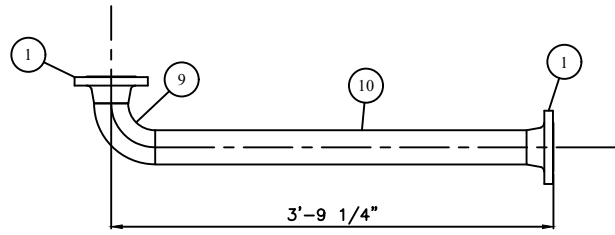
This drawing is property of BILTON WELDING & MANUFACTURING LTD and is loaned to the recipient for their confidential use only. In consideration of the loan of this drawing, the recipient promises and agrees that it shall not be used in any way detrimental to the interests of BILTON WELDING & MANUFACTURING LTD, that it shall be returned upon request, and shall not be reproduced, copied, loan, or otherwise disposed of, directly or indirectly, without the written consent of BILTON WELDING & MANUFACTURING LTD.

FAIRBORNE ENERGY LTD.
60 BBL DOUBLE WALL FLARE KNOCKOUT DRUM
GENERAL ARRANGEMENT

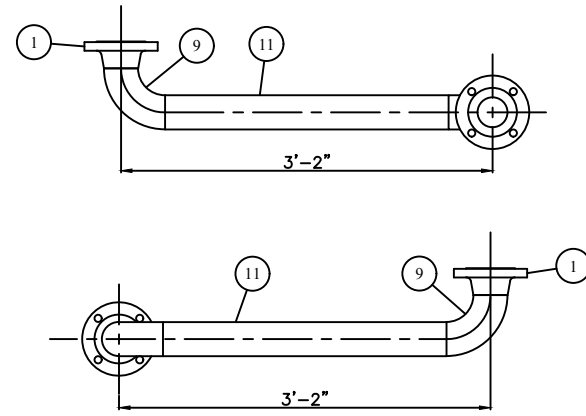
DATE: 03/07/05
SCALE: N.T.S.
DRAWN BY: DSG
PURCHASE ORDER: AFE 05002
LOCATION: 16-36-44-15 W5M
APP'D BY: JAM

SHEET: 4 OF 5
JOB NO.: B381
DRAWING NO.: B381-4
REV. 1

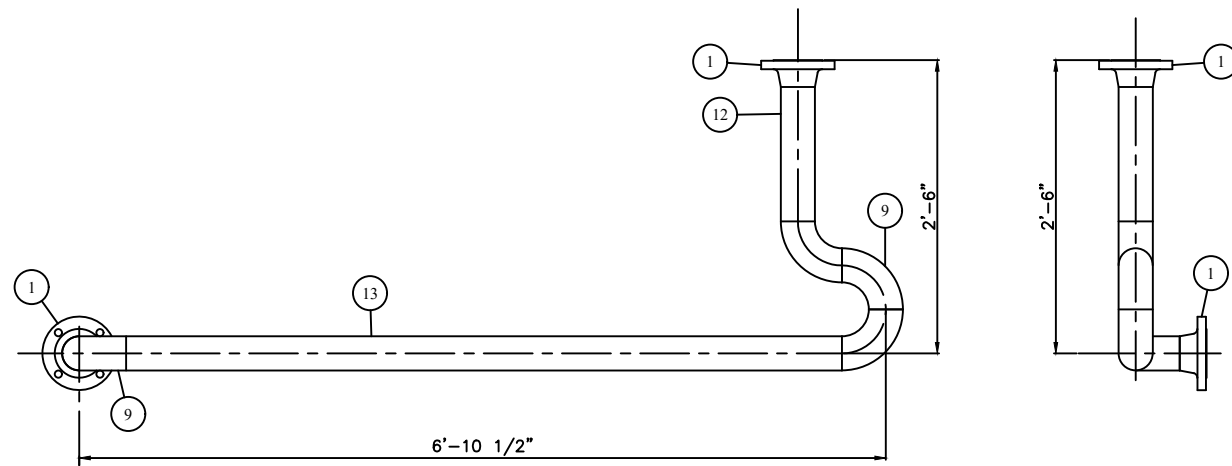
FILE PATH: \MAINDATA\CAD TANKS\B300-B399\B381-5



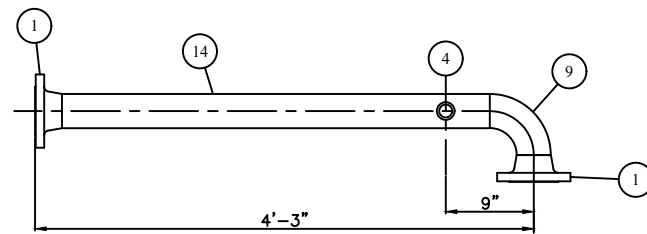
SPOOL A



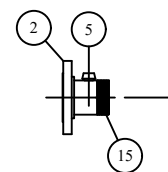
SPOOL B



SPOOL C



SPOOL D



SPOOL E

BILL OF MATERIALS

ITEM	REQ'D	PART	DESCRIPTION	MATERIAL	WEIGHT
1	8	-	3" x 150# RFWN FLG SCH XH	SA-105-N	-
2	2	-	3" x 150# RFTO FLG	SA-105-N	-
3	1	-	3" x 150# RF BLIND FLG	SA-105-N	-
4	1	-	1" x 3" x 3000# TOL	SA-105-N	-
5	2	-	1/2" x 3" x 3000# TOL	SA-105-N	-
6	9	-	3" x 150# RF FLEX GASKET	304SS	-
7	36	-	5/8" DIA x 3 1/2" LG STUD	SA-193-B7M	-
8	72	-	5/8" DIA NUT	SA-193-2HM	-
9	8	-	3" x 90° LR BW ELBOW SCH XH	SA-234-WPB	-
10	1	-	3" PIPE SCH XH x 3'-1 3/4" LG (BBE)	SA-106-B	-
11	1	-	3" PIPE SCH XH x 2'-4 3/4" LG (BBE)	SA-106-B	-
12	1	-	3" PIPE SCH XH x 1'-1 1/2" LG (BBE)	SA-106-B	-
13	1	-	3" PIPE SCH XH x 6'-1" LG (BBE)	SA-106-B	-
14	1	-	3" PIPE SCH XH x 3'-7 1/2" LG (BBE)	SA-106-B	-
15	2	-	3" x 4" LG NIPPLE SCH XH	SA-106-B	-
16	4	-	1/2" x CLOSE NIPPLE	SA-106-B	-
17	2	-	1/2" PIPE SCH XH x 11 1/2" LG (TOE,COE)	SA-106-B	-
18	2	-	1/2" x 2000# 90° THRD ELBOW	SA-105-N	-
19	2	-	3" MALE/FEMALE CAMLOCK c/w CAP	-	-
20	1	-	12 GAUGE 36" x 24" CONTAINMENT TRAY	-	-

GENERAL NOTES

- BUILT AS PER ASME B31.3
- IMPACT TESTS EXEMPT AS PER 323.2.2
- FLANGE MATERIAL: SA-105-N
- WELDED FITTING MATERIAL: SA-234-WPB
- PIPE MATERIAL: SA-106-B
- BOLTING MATERIAL: SA-193-B7M/SA-194-2HM
- EXTERNAL SANDBLAST: SSPC-SP6 (COMMERCIAL)
- EXTERNAL COATING: ONE COAT PRIMER
ONE COAT CLOVERDALE F-34 (WARM GREY)
- ALL BOLT HOLES TO STRADDLE CENTERLINE
- FABRICATION TOLERANCES AS PER BILTON DRAWING NUMBER TOL2002
- WELD PROCEDURE: BWM-019
- DESIGN AS PER LINE DESIGNATION CHART
- CORROSION ALLOWANCE: 1/8"

LINE DESIGNATION CHART

LINE	PROCESS	DESIGN PRESS. (kPa)	DESIGN TEMP. (°C)	TEST PRESS. (kPa)	MATERIAL & GRADE	DIAMETER & SCHEDULE	FLANGE RATING	RT (%)	TEST MEDIUM
A,E	TRUCKOUT	1965	-29/38	2948	SA-106-B SA-105-N SA-234-WPB	3" XH	150#	5	WATER
B	PUMPOUT	1965	-29/38	2948	SA-106-B SA-105-N SA-234-WPB	3" XH	150#	5	WATER
C,D,E	VAPOR RETURN	1965	-29/38	2948	SA-106-B SA-105-N SA-234-WPB	3" XH	150#	5	WATER

REV. NO.	DATE	REVISION	BY	APP'D
0	03/11/05	ISSUED FOR FABRICATION	DSG	JAM
1	05/13/05	AS BUILT DRAWING	DSG	JAM

BILTON
Welding & Manufacturing Ltd.

BOX 6106
5815 37 Street
INNISFAIL, AB
CANADA
403-227-7799
1-888-227-4923
FAX 227-7796

This drawing is property of BILTON WELDING & MANUFACTURING LTD and is loaned to the recipient for their confidential use only. In consideration of the loan of this drawing the recipient promises and agrees that it shall not be used in any way detrimental to the interests of BILTON WELDING & MANUFACTURING LTD, that it shall be returned upon request, and shall not be reproduced, copied, loan, or otherwise disposed of, directly or indirectly, without the written consent of BILTON WELDING & MANUFACTURING LTD.

FAIRBORNE ENERGY LTD.
60 BBL DOUBLE WALL FLARE KNOCKOUT DRUM
PIPE SPOOLS

DATE: 03/11/05
SCALE: N.T.S.
DRAWN BY: DSG
PURCHASE ORDER: AFE F05002
LOCATION: 16-36-44-15 W5M
APP'D BY: JAM

SHEET: 5 OF 5
JOB NO.:
B381
DRAWING NO.:
B381-5
REV. 1