

GENERAL NOTES

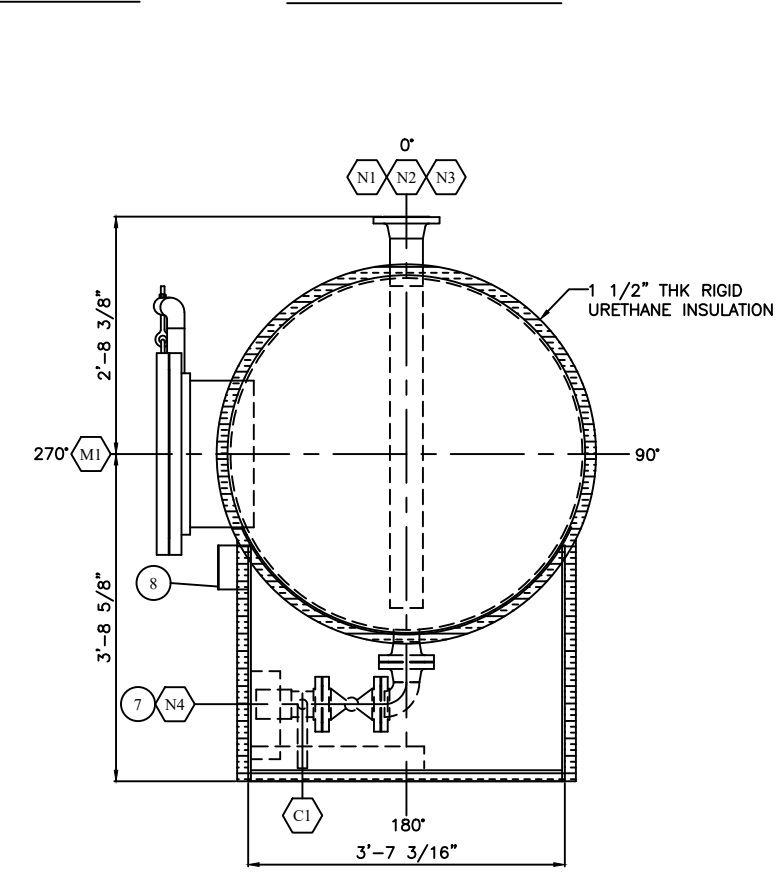
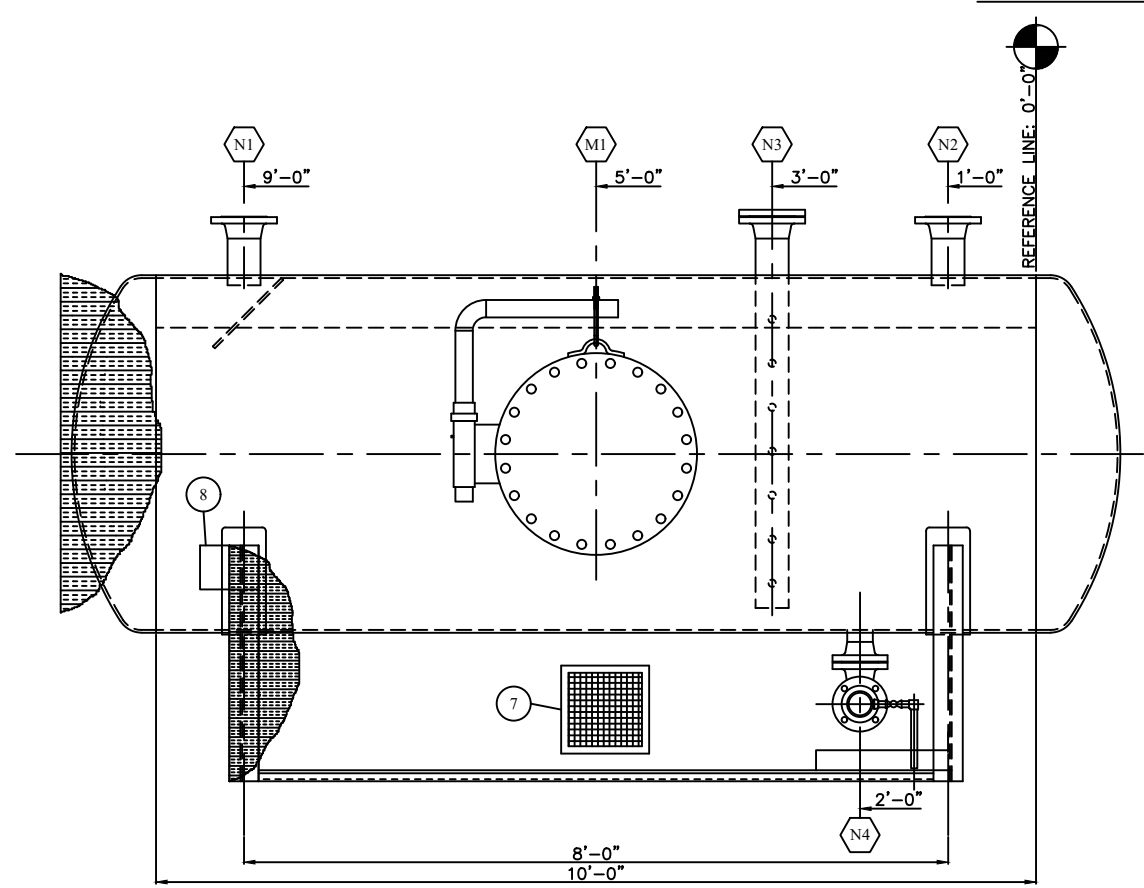
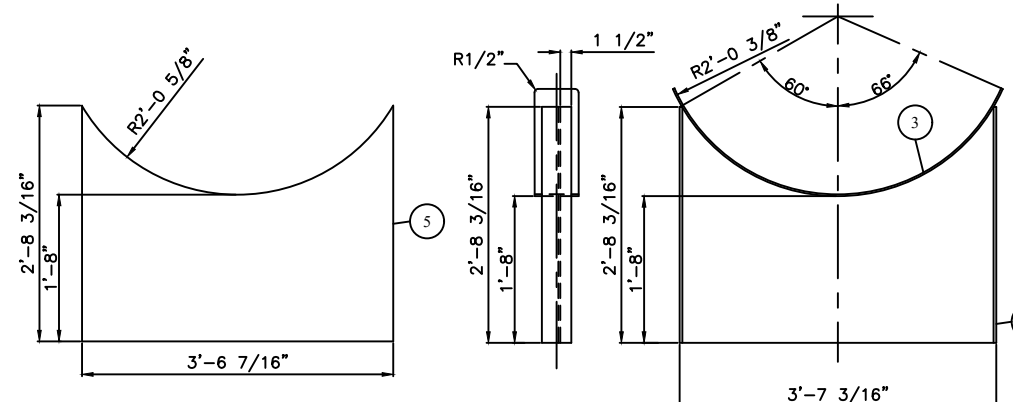
1. QUALITY CONTROL PROGRAM NUMBER: AQP-1317(S)
2. WELDING PROCEDURE REGISTRATION NUMBER: WP1970.2
3. SHELL AND HEAD MATERIAL: SA-516-70N
4. FLANGE MATERIAL: SA-105-N
5. PIPE MATERIAL: SA-106-B
6. PLATE MATERIAL: SA-36
7. BOLTING MATERIAL: SA-193-B7M/SA-194-2HM
8. EXTERNAL SANDBLAST: SSPC-SP6 (COMMERCIAL)
9. EXTERNAL COATING:
 - ALL AREAS: ONE (1) COAT OF PRIMER
 - NONINSULATED AREAS: ONE (1) COAT INDUSTRIAL ENAMEL (WHITE)
10. INSULATION: 1 1/2" THK ALUMINUM CLAD RIGID URETHANE INSULATION
11. ALL BOLT HOLES TO STRADDLE CENTERLINE
12. ALL OPENINGS TO BE COVERED PRIOR TO SHIPPING
13. ALL OUTSIDE PROJECTIONS ARE TO BE MEASURED ALONG THE CENTERLINE OF THE NOZZLE
14. ALL INSIDE PROJECTIONS ARE TO BE MEASURED ALONG THE SHORTSIDE OF THE NOZZLE
15. FABRICATION TOLERANCE AS PER BILTON WELDING DRAWING NUMBER TOL2002
16. VESSEL TO BE REGISTERED IN ALBERTA
17. VESSEL TO BE SUPPLIED WITH U-STAMP
18. SERIAL NUMBER: 13309
21. SHIPPING DIMENSIONS:

NOZZLE SCHEDULE

MARK	NO. REQ'D	DESCRIPTION	SIZE	ANSI	TYPE	PROJECTION		WELD		WELD		REPAD		BILL OF MATERIALS ITEM NUMBER
						INSIDE	OUTSIDE	DETAIL	A	B	C	D		
N1	1	INLET	4"	150#	RFWN	1"	8"	1,2	1/4	-	-	-	-	9,10,11
N2	1	OUTLET	4"	150#	RFWN	1"	8"	1,2	1/4	-	-	-	-	9,10
N3	1	GAUGE	4"	150#	RFWN	1"	8"	1,2	1/4	-	-	-	-	9,12,13,14,15,16,17,46
N4	1	TRUCKOUT	3"	150#	RFWN	FLUSH	4"	1,2	1/4	-	-	-	-	16,17,18,19,20,21,22,23,24,25,26
C1	1	SUCKOUT	1/2"	3000#	TOL	-	-	3	1/4	-	-	-	-	27,28,29,30,31,32
M1	1	MANWAY	20"	150#	RFSSO	1"	8"	2,6	1/4	-	-	-	-	33,34,35,36,37,38,39

BILL OF MATERIALS

ITEM	REQ'D	PART	DESCRIPTION	MATERIAL	WEIGHT
1	1	SHELL	3/8" THK x 120" W ROLL TO 48" ID x 12'-9 1/4" LG	SA-516-70N	-
2	2	HEAD	3/8" THK (0.3130" MIN) x 48" ID F&D (CR=42" & KR=3")	SA-516-70N	-
3	2	SADDLE	8" x 1/4" THK ROLL TO 48 3/4" ID x 4'-8 3/4" LG	SA-36	-
4	4	SADDLE	4" x 3/8" FLATBAR x 2'-8 3/16" LG	SA-36	-
5	2	SADDLE	3/8" THK x 32 3/16" W x 42 7/16" LG (SEE DETAIL)	SA-36	-
6	1	SKID	SKID (SEE DWG A952-2 FOR DETAIL)	-	-
7	1	HEATER	12" x 12" CATADYNE HEATER, 12 VOLT NATURAL GAS	-	-
8	1	NAMEPLATE	6" x 8" NAMEPLATE BRACKET	SA-36	-
9	3	N1,N2,N3	4" x 150# RFWN FLG SCH XH	SA-105-N	-
10	2	N1,N2	4" PIPE SCH XH x 6 1/2" LG (BOE,ROE)	SA-106-B	-
11	1	N1	3/8" THK DEFLECTOR PLATE	SA-36	-
12	1	N3	4" x 150# RF BLIND FLG TAPPED TO 1"	SA-105-N	-
13	1	N3	4" x 150# RF FLEXITALLIC GASKET	304SS	-
14	1	N3	4" PIPE SCH XH x 4'-2 3/8" LG c/w HOLES (BOE,ROE)	SA-106-B	-
15	1	N3	TGS LIQUID LEVEL GAUGE (SOUR)	-	-
16	20	N3,N4	5/8" DIA x 3 1/2" LG STUD	SA-193-B7M	-
17	40	N3,N4	5/8" DIA NUT	SA-194-2HM	-
18	2	N4	3" x 150# RFWN FLG SCH XH	SA-105-N	-
19	1	N4	3" x 150# RFSO FLG	SA-105-N	-
20	1	N4	3" x 150# RFTO FLG	SA-105-N	-
21	1	N4	3" x 150# RF RP BALL VALVE (SOUR)	SA-105-N	-
22	3	N4	3" x 150# RF FLEXITALLIC GASKET	304SS	-
23	1	N4	3" x 90° SR BW ELBOW SCH XH	SA-234-WPB	-
24	1	N4	3" PIPE SCH XH x 1 3/4" LG (BOE,COE)	SA-106-B	-
25	1	N4	3" x 4" LG NIPPLE SCH XH	SA-106-B	-
26	1	N4	3" MALE/FEMALE CAMLOCK c/w CAP	-	-
27	1	C1	1/2" x 3000# TOL	SA-105-N	-
28	2	C1	1/2" x CLOSE NIPPLE	SA-106-B	-
29	1	C1	1/2" x 2000# 90° THRD ELBOW	SA-105-N	-
30	1	C1	1/2" PIPE SCH XH x 8 1/2" LG (TOE,COE)	SA-106-B	-
31	1	C1	1/2" x 2000# S.E. NACE BARSTOCK BALL VALVE	SA-105-N	-
32	1	C1	12 GAUGE 36" x 24" CONTAINMENT TRAY	-	-
33	1	M1	20" x 150# RFSO FLG	SA-105-N	-
34	1	M1	20" x 150# RF BLIND FLG	SA-105-N	-
35	1	M1	20" x 150# RF FLEXITALLIC GASKET	304SS	-
36	1	M1	20" PIPE SCH STD x 11 1/8" LG (ROE,COE)	SA-106-B	-
37	1	M1	20" DAVIT ARM	-	-
38	20	M1	1 1/8" DIA x 6 1/4" LG STUD	SA-193-B7M	-
39	40	M1	1 1/8" DIA NUT	SA-194-2HM	-
40	2	INSUL	1 1/2" x 12'-4" LG SHT RIGID URETH, CORR&STUCCO EMOSS ALUM ONE SIDE (CURFS)	-	-
41	1	INSUL	1 1/2" x 45" COV x 12'-6" LG SHT RIGID URETH, CORR&STUCCO EMOSS ALUM ONE SIDE	-	-
42	3	INSUL	1 1/2" x 45" x 8'-4" LG SHT RIGID URETH, CORR&STUCCO EMOSS ALUM BOTH SIDES	-	-
43	60 FT	INSUL	SEA "L" FLASHING	-	-
44	400	INSUL	SCREWS - #8 - 1/2" STAINLESS STEEL	-	-
45	2	INSUL	ALUMINUM SILICONE CAULK	-	-
46	1	N3	PROXIMITY SWITCH (ELECTRIC)	-	-



SOUR SERVICE

DESIGN SPECIFICATIONS

DESIGN & FABRICATE TO: 2001 ASME BOILER & PRESSURE VESSEL CODE SEC VIII, DIV 1, 2003 ADDENDA

DESIGN PRESSURE & TEMPERATURE: 50 PSI @ 100°F

MINIMUM DESIGN METAL TEMP: -20°F @ 50 PSI

IMPACT TESTS: EXEMPT AS PER UG-20(f)(1-5)

RADIOGRAPHY: NONE AS PER UW-11(c)

POST WELD HEAT TREATMENT: NONE AS PER UCS-56

HYDROSTATIC TEST PRESSURE: 75 PSIG PREHEAT: 50°F

CORROSION ALLOWANCE: 1/8" MAWP: 50 PSI @ 100°F

HEAD THK. MIN.: 0.3130" VOLUME: 141 CuFt, 4 Cum

WEIGHT EMPTY: 3,200 LBS WEIGHT FULL: 12,000 LBS

WELD DETAIL NUMBER	REGISTERED WELDING PROCEDURE NUMBER			BACKWELD/GOUGE
	ROOT	HOT PASS	FILL & CAP	
1,2,3,5,6	BWM-019 (GMAW)	BWM-019 (GMAW)	BWM-019 (GMAW)	N/A
4	BWM-019 (GMAW)	BWM-003 (SAW)	BWM-003 (SAW)	N/A

1	2	3	4	5	6	REV. NO.	DATE	REVISION	BY	APPD
WELD NECK FLANGE	NOZZLE NECK	THREADOLET	SEAM	ATTACHMENTS	SLIP ON FLANGE	A	03/09/04	ISSUED FOR APPROVAL	DSG	
						0	03/11/04	ISSUED FOR FABRICATION	DSG	JAM
						1	03/31/04	ADDED WELD DETAIL #6 FOR M1	DSG	JAM
						2	09/22/04	AS BUILT DRAWING	DSG	JAM

1	2	3	4	5	6
WELD NECK FLANGE	NOZZLE NECK	THREADOLET	SEAM	ATTACHMENTS	SLIP ON FLANGE

BILTON
 Welding & Manufacturing Ltd.
 BOX 6106
 5815 37 Street
 INNISFAIL, AB
 CANADA
 403-227-7799
 1-888-227-4923
 FAX 227-7796

This drawing is property of BILTON WELDING & MANUFACTURING LTD. and is lent to the recipient for their confidential use only. In consideration of the loan of this drawing, the recipient promises and agrees that it shall not be used in any way detrimental to the interests of BILTON WELDING & MANUFACTURING LTD., that it shall be returned upon request, and that it shall not be reproduced, copied, lent, or otherwise disposed of, directly or indirectly, without the written consent of BILTON WELDING & MANUFACTURING LTD.

ARC RESOURCES LTD

48" ID x 10'-0" S/S SINGLE WALL
 FLARE KNOCKOUT DRUM - PROJECT: 04-178, TAG: FK-800

DATE: 03/09/04 SHEET: 1 OF 2

SCALE: N.T.S. JOB NO.:

DRAWN BY: DSG SIZE

PURCHASE ORDER: 11672-002 A952

LOCATION: 06/21/80-13 W6M DRAWING NO.:

CRN DWG NO. BWM-102-04 RO APPD: JAM A952-1

CRN NUMBER: R6386.2 REV. 2

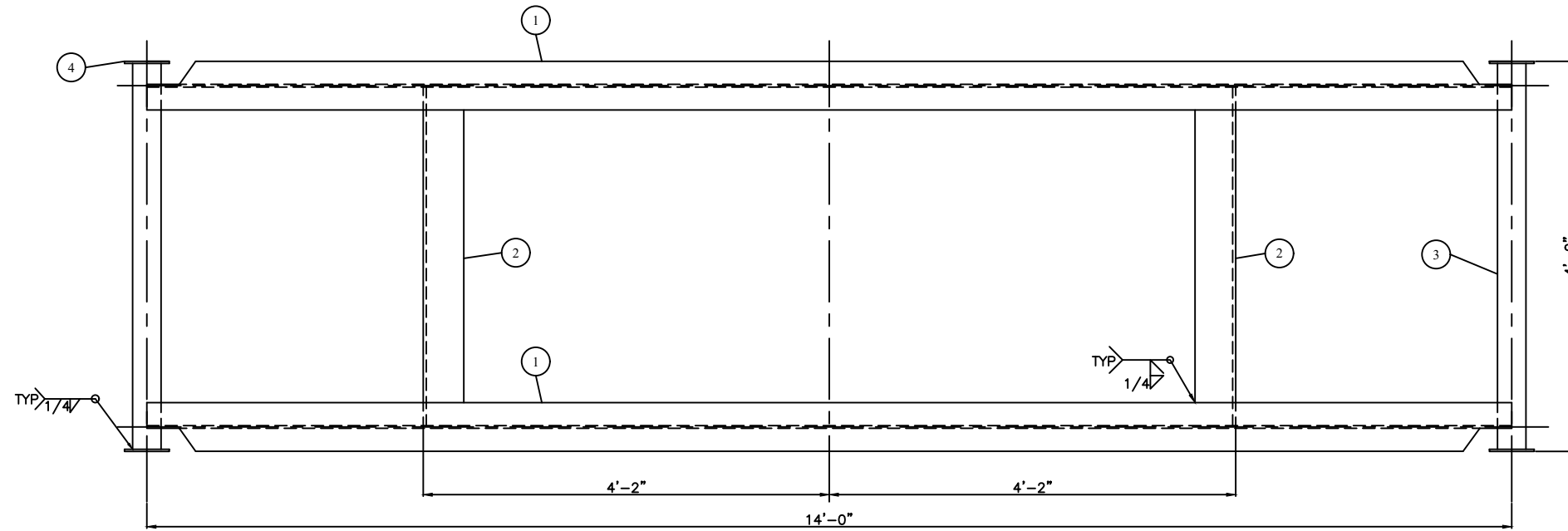
FILE PATH: MAINDATA\CAD TANKS\A900-A999\A952-1

GENERAL NOTES

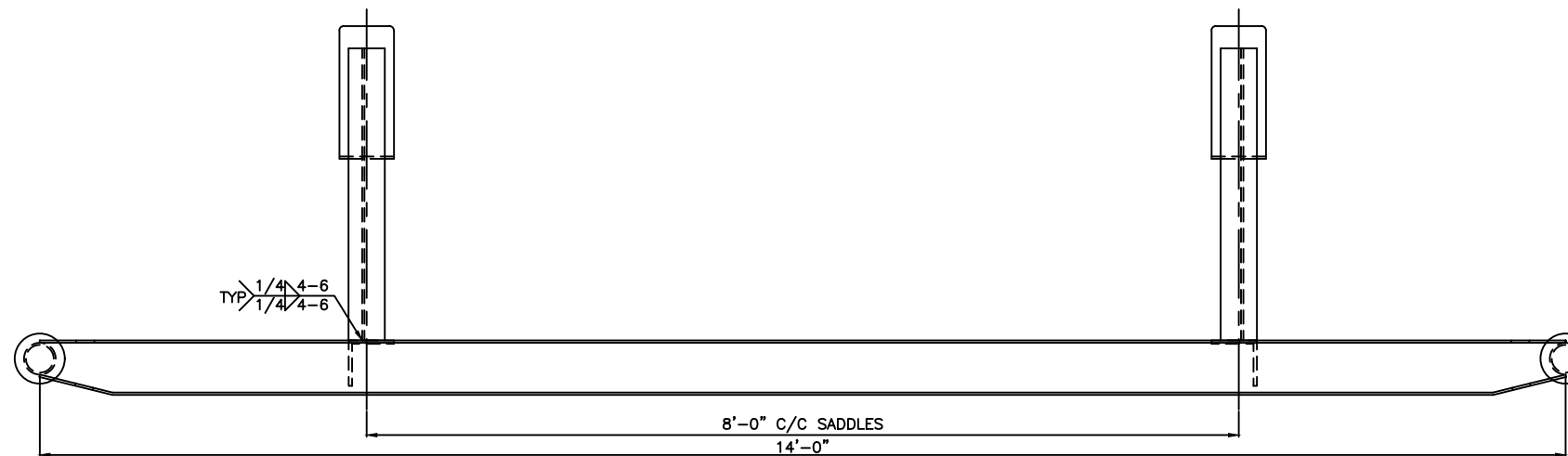
1. ALL WELDS FULL PENETRATION 1/4" FILLET WELDS
2. PRIME: ONE (1) COAT PRIMER
3. PAINT: ONE (1) COAT INDUSTRIAL ENAMEL (WHITE)
4. APPROXIMATE WEIGHT: 600 LBS

BILL OF MATERIALS

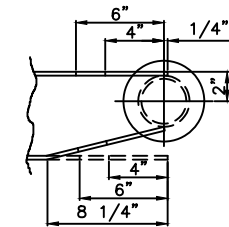
ITEM	REQ'D	PART	DESCRIPTION	MATERIAL	WEIGHT
1	2	RUNNER	W6@15# x 14'-0" LG (ROUGH CUT TO 168 1/2")	SA-36	420#
2	2	CROSSMEM	5" x 5" x 3/8" ANGLE x 3'-5 5/8" LG	SA-36	100#
3	2	PULL	3" STD PIPE x 3'-11 1/2" LG	SA-106-B	68#
4	4	PULLCAP	1/4" THK x 5 1/2" OD	SA-36	5#



PLAN VIEW



ELEVATION VIEW



COPE DETAIL

REV. NO.	DATE	REVISION	BY	APPD
A	03/09/04	ISSUED FOR APPROVAL	DSG	
0	03/11/04	ISSUED FOR FABRICATION	DSG	JAM
1	09/22/04	AS BUILT DRAWING	DSG	JAM

BILTON
Welding & Manufacturing Ltd.

BOX 6106
3704 58 AVE.
INNISFAIL, AB
CANADA
403-227-7799
1-888-227-4923
FAX 227-7796

This drawing is property of BILTON WELDING & MANUFACTURING LTD. and is lent to the recipient for their confidential use only. In consideration of the loan of this drawing, the recipient promises and agrees that it shall not be used in any way detrimental to the interests of BILTON WELDING & MANUFACTURING LTD., that it shall be returned upon request, and that it shall not be reproduced, copied, lent, or otherwise disposed of, directly or indirectly, without the written consent of BILTON WELDING & MANUFACTURING LTD.

ARC RESOURCES LTD

48" ID x 10'-0" S/S SINGLE WALL FLARE KNOCKOUT DRUM - PROJECT: 04-178, TAG: FK-800
SKID DETAILS

DATE: 03/09/04	SHEET: 2 OF 2
SCALE: N.T.S.	JOB NO.:
DRAWN BY: DSG	A952
PURCHASE ORDER: 1167.2-002	SIZE
LOCATION: 06-21-80-13 W6M	D
APPD BY: JAM	CRN: N/A
DRAWING NO.:	REV.
A952-2	1