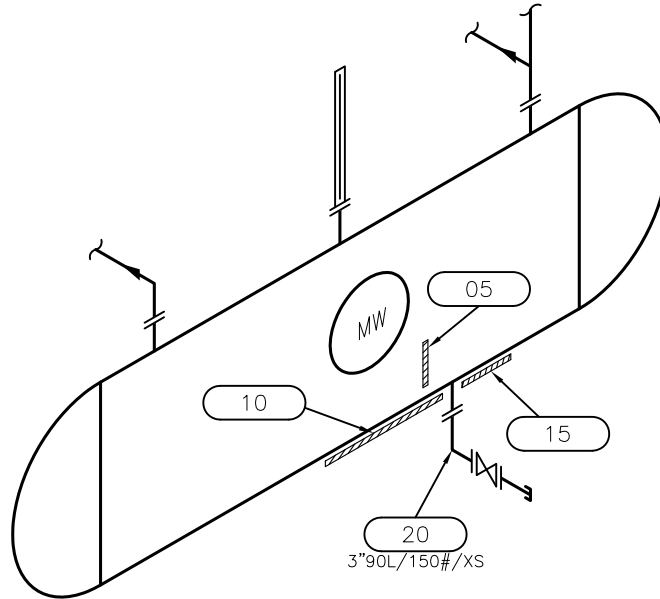
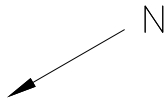


P&ID NO.:
REF. NO.:



U1A ON FILE

P.E. NO.: N/S OUP# 015VS013
 PROV. REG. NO.: A0507848 C.R.N.: R6386.2
 SERIAL NO.: 13309 N.B. NO.: N/A
 Manufacturer: BILTON WELDING & MANUFACTURING LTD.

Code/Div.: ASME VIII DIV.1 PARA: N/S
 Radiography: N/S Service: SOUR
 Insulated: YES PWHT: N/S
 Year Built: 2004 Size: 48" OD X 10'
 Internal Access: MANWAY Size: 20"

Design & Materials Data

HEAD
 Material: SA-516-70N Nom.: 8.0mm C.A.: 3.2mm
 Material: _____ Nom.: _____ C.A.: _____

SHELL
 Material: SA-516-70N Nom.: 9.5mm C.A.: 3.2mm
 Material: _____ Nom.: _____ C.A.: _____

BOOT
 Head Mat'l: _____ Nom.: _____ C.A.: _____
 Shell Mat'l: _____ Nom.: _____ C.A.: _____

CHANNEL
 Material: _____ Nom.: _____ C.A.: _____

MAWP Shell Side: 345 KPA @ Temp.: 38°C/-29°C
 MAWP Tube Side: _____ @ Temp.: _____

CLIENT	TOURMALINE OIL CORPORATION	
FACILITY	GORDONDALE	
	LSD 14-22-079-09W6M	
ITEM	FLARE KNOCKOUT DRUM	
TECH/CAD: JAM/KL	DATE: 2022/11	DWG. No.: 035

CLIENT:	Tourmaline Oil Corporation	PROV. REG. #:	A0507848
FACILITY:	Gordondale	SERIAL #:	13309
UNIT/AREA:		EQUIP. NO.:	015VS013
LSD:	14-22-079-09W6M		
DESCRIPTION:	Flare Knockout Drum		

Description: LOWER SHELL FULL SCAN
CML: 035-05

 NOM. THICK.: 9.50 mm
 MILL. TOL.: 0.254 mm
 CA: 3.20 mm
 MIN. NOM.: 6.00 mm

 MATERIAL: SA-516-70N
 CALCULATED T-MIN: Not Stated

Rdg.	B/L Thick. MM/DD/YY	Short Term mm/yr	Long Term mm/yr	Rem. Half Life
	11/25/22			
Min. Thick.:	9.50	0.0000	0.0000	
Average:	9.60	0.0000	0.0000	

Description: BOTTOM SHELL FULL SCAN
CML: 035-10

 NOM. THICK.: 9.50 mm
 MILL. TOL.: 0.254 mm
 CA: 3.20 mm
 MIN. NOM.: 6.00 mm

 MATERIAL: SA-516-70N
 CALCULATED T-MIN: Not Stated

Rdg.	B/L Thick. MM/DD/YY	Short Term mm/yr	Long Term mm/yr	Rem. Half Life
	11/25/22			
Min. Thick.:	9.50	0.0000	0.0000	
Average:	9.60	0.0000	0.0000	

Description: BOTTOM SHELL FULL SCAN
CML: 035-15

 NOM. THICK.: 9.50 mm
 MILL. TOL.: 0.254 mm
 CA: 3.20 mm
 MIN. NOM.: 6.00 mm

 MATERIAL: SA-516-70N
 CALCULATED T-MIN: Not Stated

Rdg.	B/L Thick. MM/DD/YY	Short Term mm/yr	Long Term mm/yr	Rem. Half Life
	11/25/22			
Min. Thick.:	9.60	0.0000	0.0000	
Average:	9.70	0.0000	0.0000	

Minimum Thickness is calculated.

Design Minimum Thickness = Nom Thick. - CA - Manufacturing Steel Tolerance.

Manufacturing Tolerance of pipe and forged fittings is + or - 12.5% (May or may not apply dependent upon the Client's Owner-User Integrity Management System).

Manufacturing Tolerance of plate is + or - 0.25mm (0.010") (May or may not apply dependent upon the Client's Owner-User Integrity Management System).

BLUE (Caution TML Point) - if Half Life is less than 15 years.
RED (Action TML Point) - If Remaining Half Life is 0 and Last Survey Thickness is below Nominal-CA-Tolerance Thickness.

 CA - Corrosion Allowance, CR - Corrosion Rate (**Highlight and bolded if CR >= 0.250mm or 0.009in/yr.**).

CLIENT:	Tourmaline Oil Corporation	PROV. REG. #:	A0507848
FACILITY:	Gordondale	SERIAL #:	13309
UNIT/AREA:		EQUIP. NO.:	015VS013
LSD:	14-22-079-09W6M		
DESCRIPTION:	Flare Knockout Drum		

Description: 3" 90L DRAIN FULL SCAN 150#

CML: 035-20

NOM. THICK.: 7.60 mm
MILL. TOL.: ASTM
CA: Not Stated
MIN. NOM.: 6.70 mm

MATERIAL:
CALCULATED T-MIN: Not Stated

Rdg.	B/L Thick. MM/DD/YY	Short Term mm/yr	Long Term mm/yr	Rem. Half Life
	11/25/22			
Min. Thick.:	6.90	0.0000	0.0000	
Average:	7.20	0.0000	0.0000	

Minimum Thickness is calculated.

Design Minimum Thickness = Nom Thick. - CA - Manufacturing Steel Tolerance.

Manufacturing Tolerance of pipe and forged fittings is + or - 12.5% (May or may not apply dependent upon the Client's Owner-User Integrity Management System).

Manufacturing Tolerance of plate is + or - 0.25mm (0.010") (May or may not apply dependent upon the Client's Owner-User Integrity Management System).

BLUE (Caution TML Point) - if Half Life is less than 15 years.

RED (Action TML Point) - If Remaining Half Life is 0 and Last Survey Thickness is below Nominal-CA-Tolerance Thickness.

CA - Corrosion Allowance, CR - Corrosion Rate (**Highlight and bolded if CR >= 0.250mm or 0.009in/yr.**).