

# VELOCIRAPTOR RIG - MUD PUMP

EQUIPMENT TYPE FOR  
**RAPTOR RIG**  
 CLIENT LOCATION

BY  
**QUAD PLUS**  
 HOUSTON, TX

ALL DRAWINGS ARE FOR REFERENCE ONLY AND SUBJECT TO CHANGE UNLESS DESIGNATED "AS COMMISSIONED".

CAD FILE NAME: 203494-02-1001.DWG

REV	DESCRIPTION	DRWN	ENGN	DATE	THIS DRAWING AND THE INFORMATION AND DESIGN APPLICATION CONTAINED HEREIN IS THE PROPERTY OF QUAD PLUS AND IS LOANED UPON THE EXPRESS CONDITIONS THAT THE SAME BE RETURNED TO QUAD PLUS UPON REQUEST. ALL INFORMATION CONTAINED HEREIN SHALL BE TREATED AS SECRET AND CONFIDENTIAL; NO REPRODUCTION OF THIS DRAWING OR ANY PART THEREOF SHALL BE MADE WITHOUT THE WRITTEN CONSENT OF QUAD PLUS		 NATIONAL SERVICE ALLIANCE - HOUSTON, LLC <small>(713) 462-8400                      www.QuadPlus.com</small>		DRWN: BAE	ENGN: DNT	DATE: 16 NOV 2018	CO. : RAPTOR RIG	INSTALLATION	PREV.	JOB NUMBER	REV			
0	ISSUED FOR CONSTRUCTION	EC	DNT	27 MAR 2019	<div style="border: 2px solid black; padding: 5px; display: inline-block;"> <b>AS BUILT</b> </div>								COVER SHEET		203494	1			
0A	ISSUED FOR CONSTRUCTION	BAE	DNT	7 MAY 2019									LOCATION	CONT.	SHEET		1002	1001	
1	AS BUILT	BAE	DNT	31 MAY 2019									VELOCIRAPTOR RIG						

01  
02  
03  
04  
05  
06  
07  
08  
09  
10  
11  
12  
13  
14  
15  
16  
17  
18  
19  
20  
21  
22  
23  
24  
25

SH	IEC_I	IEC_L	DWGDESC	DWGDESC2	DWGDESC3
1001			COVER SHEET		
1002			DRAWING INDEX		
1010		ONE-LINE	POWER ONE LINE		
1011	MUD PUMP	-	POWER OVERVIEW		
1110	MUD PUMP	MLO	CONTROL POWER DISTRIBUTION		
1111	MUD PUMP	MLO	24VDC POWER DISTRIBUTION		
1300	MUD PUMP	RECT CABINET	LINE REACTOR & RECTIFIER MODULE		
1310	MUD PUMP	DRV CAB	MUD PUMP DRIVE	POWER WIRING	
1311	MUD PUMP	DRV CAB	MUD PUMP DRIVE	CONTROL WIRING	MAIN CONTROL BOARD AND SLOT 4
1312	LINE UP	DRV 1 CAB	MUD PUMP DRIVE	CONTROL WIRING	SLOT 5 AND SLOT 6

CAD FILE NAME: 203494-02-1002.DWG

REV	DESCRIPTION	DRWN	ENGN	DATE
0	ISSUED FOR CONSTRUCTION	EC	DNT	27 MAR 2019
0A	ISSUED FOR CONSTRUCTION	BAE	DNT	7 MAY 2019
1	AS BUILT	BAE	DNT	31 MAY 2019

**AS BUILT**

THIS DRAWING AND THE INFORMATION AND DESIGN APPLICATION CONTAINED HEREIN IS THE PROPERTY OF QUAD PLUS AND IS LOANED UPON THE EXPRESS CONDITIONS THAT THE SAME BE RETURNED TO QUAD PLUS UPON REQUEST. ALL INFORMATION CONTAINED HEREIN SHALL BE TREATED AS SECRET AND CONFIDENTIAL; NO REPRODUCTION OF THIS DRAWING OR ANY PART THEREOF SHALL BE MADE WITHOUT THE WRITTEN CONSENT OF QUAD PLUS

**Quad Plus**™  
NATIONAL SERVICE ALLIANCE - HOUSTON, LLC  
(713) 462-8400  
www.QuadPlus.com

DRWN: BAE
ENGN: DNT
DATE: 16 NOV 2018
CO. : RAPTOR RIG

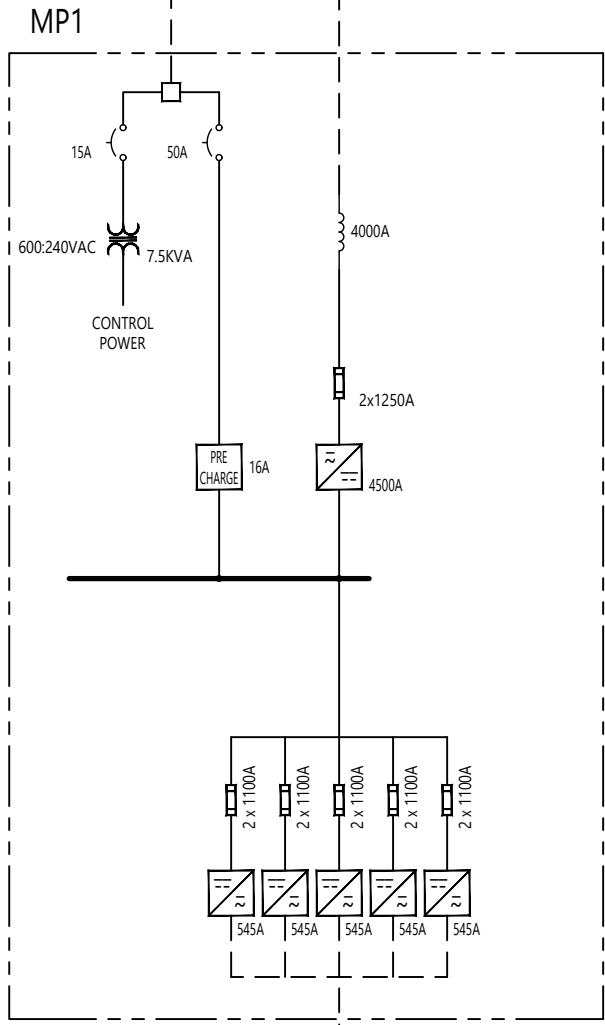
DRAWING INDEX  
VELOCIRAPTOR RIG

INSTALLATION	PREV.	JOB NUMBER	REV
	1001	203494	1
LOCATION	CONT.	SHEET	
	1010	1002	

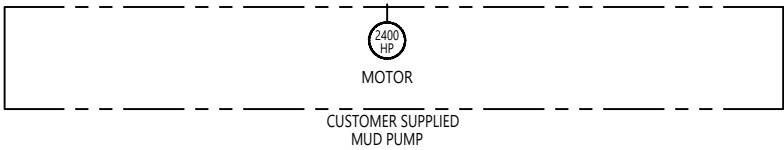
ECAMPOS - Friday, June 14, 2019 3:07:59 PM - J:\Raptor Rig\203494 - JAR\Raptor Rig\203494 - Velociraptor Rig - Drive Lineup\02\_CAD\02\_DEVELOPMENT\203494-02-1002.dwg

600V SWITCHGEAR

CUSTOMER SUPPLIED



E-HOUSE



01  
02  
03  
04  
05  
06  
07  
08  
09  
10  
11  
12  
13  
14  
15  
16  
17  
18  
19  
20  
21  
22  
23  
24  
25

REV	DESCRIPTION	DRWN	ENGN	DATE
0	ISSUED FOR CONSTRUCTION	EC	DNT	27 MAR 2019
0A	ISSUED FOR CONSTRUCTION	BAE	DNT	7 MAY 2019
1	AS BUILT	BAE	DNT	31 MAY 2019

AS BUILT

THIS DRAWING AND THE INFORMATION AND DESIGN APPLICATION CONTAINED HEREIN IS THE PROPERTY OF QUAD PLUS AND IS LOANED UPON THE EXPRESS CONDITIONS THAT THE SAME BE RETURNED TO QUAD PLUS UPON REQUEST. ALL INFORMATION CONTAINED HEREIN SHALL BE TREATED AS SECRET AND CONFIDENTIAL. NO REPRODUCTION OF THIS DRAWING OR ANY PART THEREOF SHALL BE MADE WITHOUT THE WRITTEN CONSENT OF QUAD PLUS

**Quad Plus**  
 NATIONAL SERVICE ALLIANCE - HOUSTON, LLC  
 (713) 462-8400  
 www.QuadPlus.com

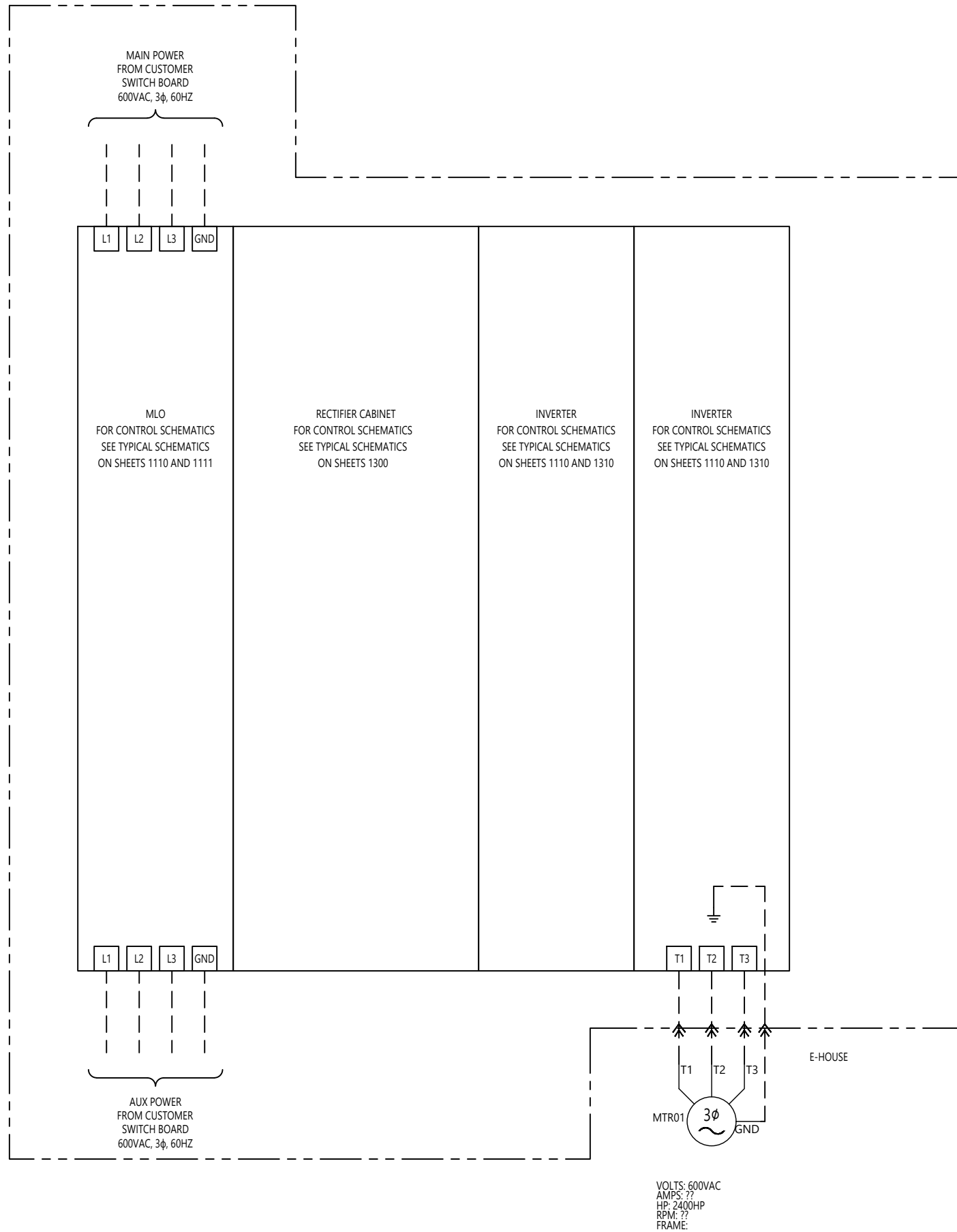
DRWN: BAE
ENGN: DNT
DATE: 16 NOV 2018
CO. : RAPTOR RIG

POWER ONE LINE  
 VELOCIRAPTOR RIG

INSTALLATION	PREV.	JOB NUMBER	REV
ONE-LINE <td>1002</td> <td>203494</td> <td>1</td>	1002	203494	1
LOCATION	CONT.	SHEET	
ONE-LINE	1011	1010	

CAD FILE NAME: 203494-02-1010.DWG

01  
02  
03  
04  
05  
06  
07  
08  
09  
10  
11  
12  
13  
14  
15  
16  
17  
18  
19  
20  
21  
22  
23  
24  
25



REV	DESCRIPTION	DRWN	ENGN	DATE
0	ISSUED FOR CONSTRUCTION	EC	DNT	27 MAR 2019
0A	ISSUED FOR CONSTRUCTION	BAE	DNT	7 MAY 2019
1	AS BUILT	BAE	DNT	31 MAY 2019

**AS BUILT**

THIS DRAWING AND THE INFORMATION AND DESIGN APPLICATION CONTAINED HEREIN IS THE PROPERTY OF QUAD PLUS AND IS LOANED UPON THE EXPRESS CONDITIONS THAT THE SAME BE RETURNED TO QUAD PLUS UPON REQUEST. ALL INFORMATION CONTAINED HEREIN SHALL BE TREATED AS SECRET AND CONFIDENTIAL. NO REPRODUCTION OF THIS DRAWING OR ANY PART THEREOF SHALL BE MADE WITHOUT THE WRITTEN CONSENT OF QUAD PLUS

**Quad Plus**  
NATIONAL SERVICE ALLIANCE - HOUSTON, LLC  
(713) 462-8400  
www.QuadPlus.com

6410A Langfield Rd  
Houston, TX 77032

DRWN: BAE
ENGN: DNT
DATE: 16 NOV 2018
CO.: RAPTOR RIG

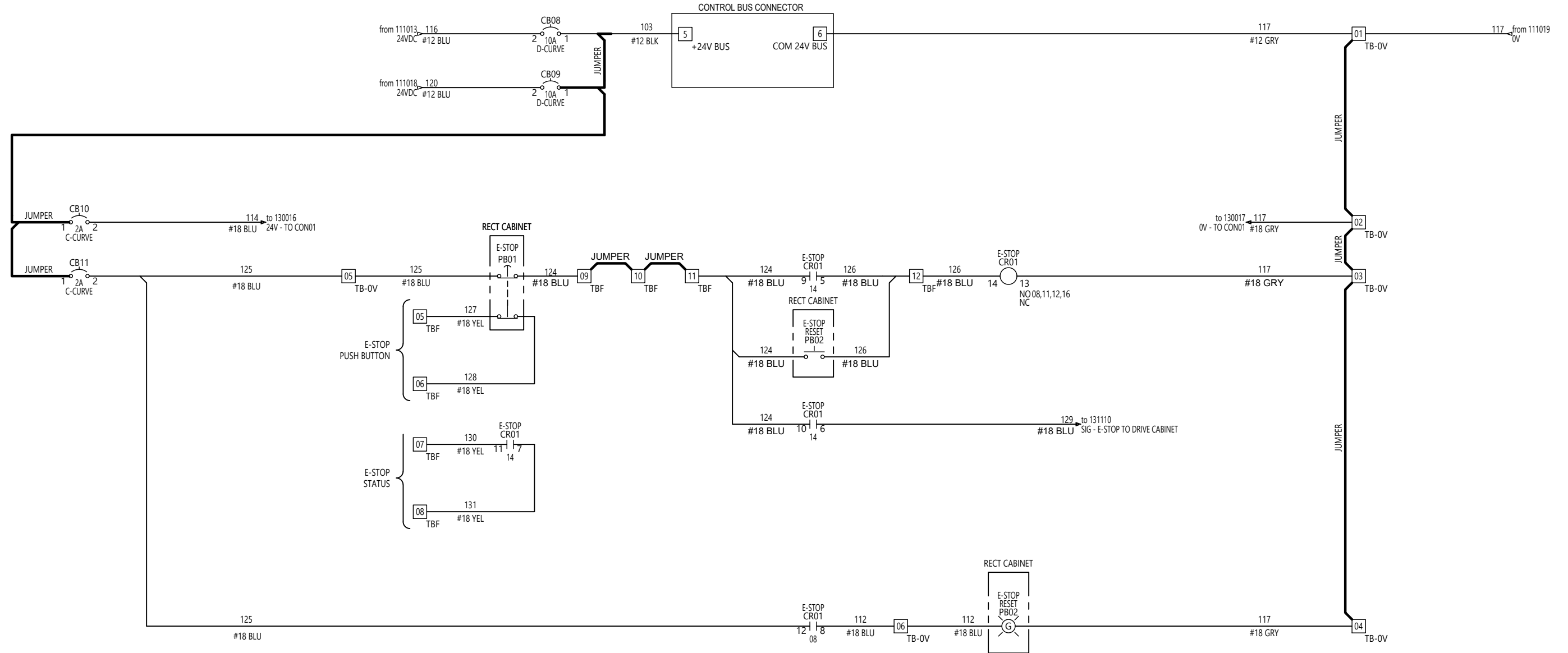
**POWER OVERVIEW**  
VELOCIRAPTOR RIG

INSTALLATION	PREV.	JOB NUMBER	REV
MUD PUMP	1010	203494	1
LOCATION	CONT.	SHEET	
-	1110	1011	

CAD FILE NAME: 203494-02-1011.DWG



01  
02  
03  
04  
05  
06  
07  
08  
09  
10  
11  
12  
13  
14  
15  
16  
17  
18  
19  
20  
21  
22  
23  
24  
25



REV	DESCRIPTION	DRWN	ENGN	DATE
0	ISSUED FOR CONSTRUCTION	EC	DNT	27 MAR 2019
0A	ISSUED FOR CONSTRUCTION	BAE	DNT	7 MAY 2019
1	AS BUILT	BAE	DNT	31 MAY 2019

**AS BUILT**

THIS DRAWING AND THE INFORMATION AND DESIGN APPLICATION CONTAINED HEREIN IS THE PROPERTY OF QUAD PLUS AND IS LOANED UPON THE EXPRESS CONDITIONS THAT THE SAME BE RETURNED TO QUAD PLUS UPON REQUEST. ALL INFORMATION CONTAINED HEREIN SHALL BE TREATED AS SECRET AND CONFIDENTIAL. NO REPRODUCTION OF THIS DRAWING OR ANY PART THEREOF SHALL BE MADE WITHOUT THE WRITTEN CONSENT OF QUAD PLUS

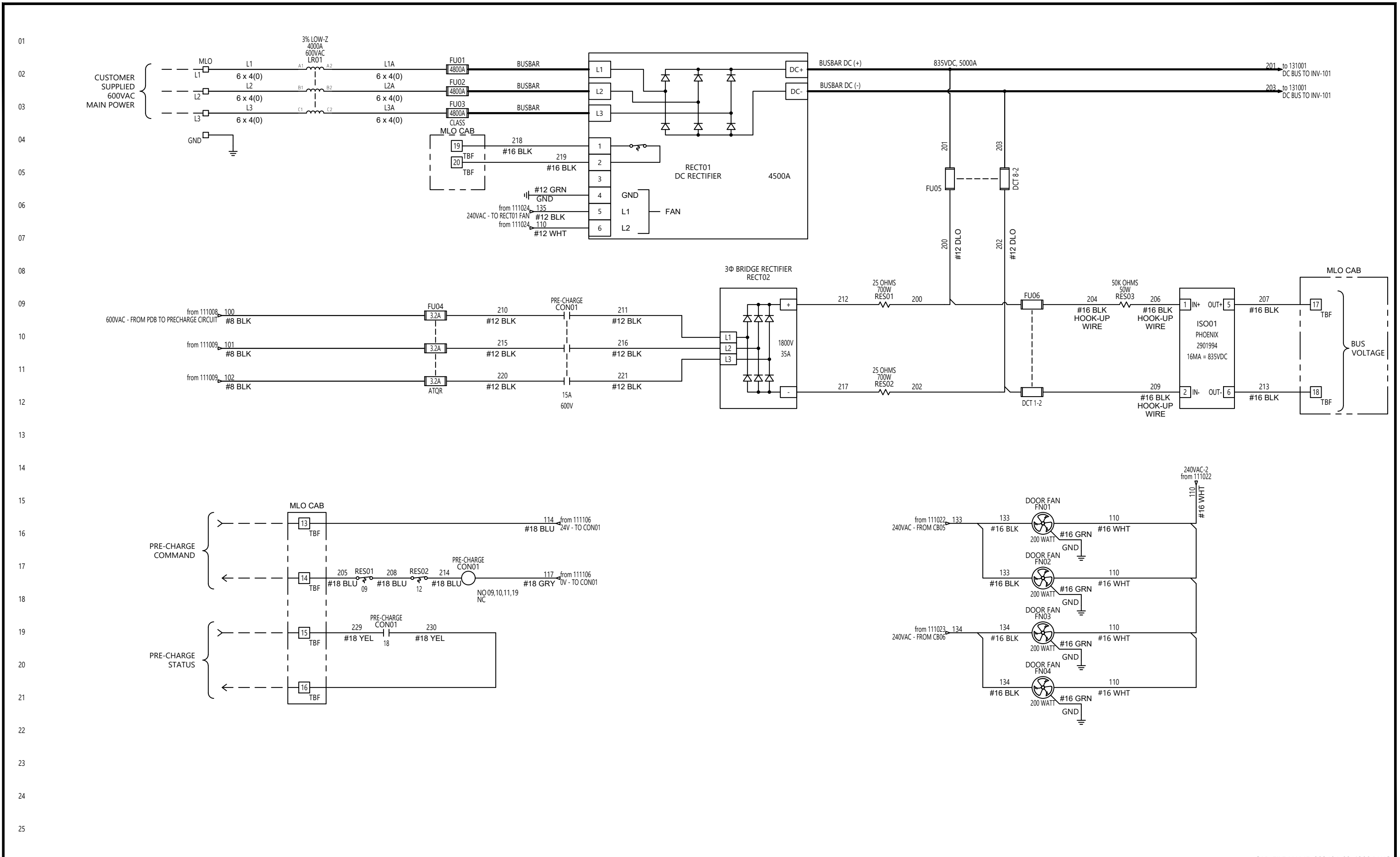
**Quad Plus**  
NATIONAL SERVICE ALLIANCE - HOUSTON, LLC  
(713) 462-8400  
www.QuadPlus.com

DRWN: BAE
ENGN: DNT
DATE: 16 NOV 2018
CO.: RAPTOR RIG

**24VDC POWER DISTRIBUTION**  
VELOCIRAPTOR RIG

INSTALLATION	PREV.	JOB NUMBER	REV
MUD PUMP	1110	203494	1
LOCATION	CONT.	SHEET	
MLO	1300	1111	

CAD FILE NAME: 203494-02-1111.DWG



REV	DESCRIPTION	DRWN	ENGN	DATE
0	ISSUED FOR CONSTRUCTION	EC	DNT	27 MAR 2019
0A	ISSUED FOR CONSTRUCTION	BAE	DNT	7 MAY 2019
1	AS BUILT	BAE	DNT	31 MAY 2019

AS BUILT

THIS DRAWING AND THE INFORMATION AND DESIGN APPLICATION CONTAINED HEREIN IS THE PROPERTY OF QUAD PLUS AND IS LOANED UPON THE EXPRESS CONDITIONS THAT THE SAME BE RETURNED TO QUAD PLUS UPON REQUEST. ALL INFORMATION CONTAINED HEREIN SHALL BE TREATED AS SECRET AND CONFIDENTIAL; NO REPRODUCTION OF THIS DRAWING OR ANY PART THEREOF SHALL BE MADE WITHOUT THE WRITTEN CONSENT OF QUAD PLUS

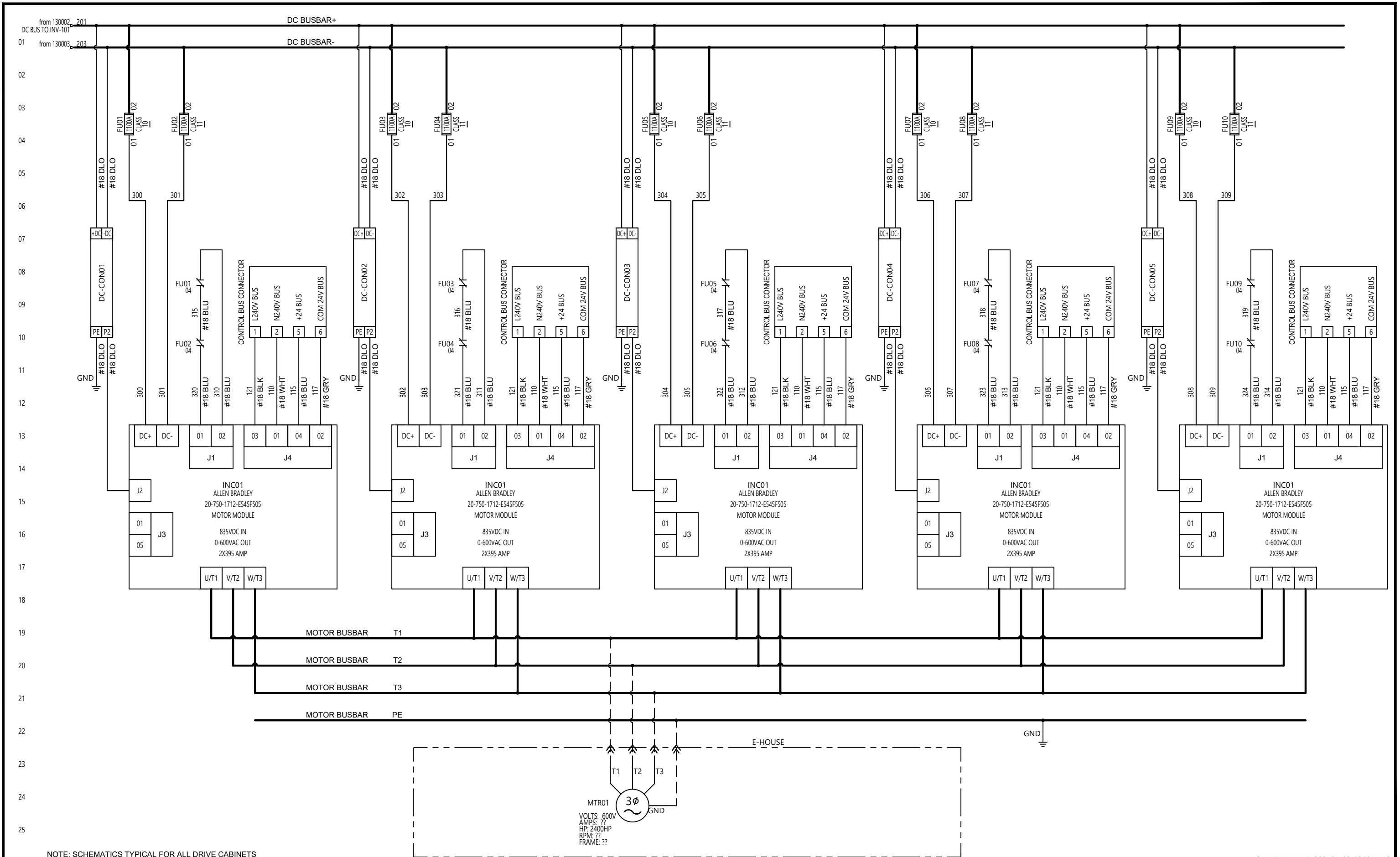
**Quad Plus**  
NATIONAL SERVICE ALLIANCE - HOUSTON, LLC  
 (713) 462-8400  
 www.QuadPlus.com

DRWN: BAE  
 ENGN: DNT  
 DATE: 16 NOV 2018  
 CO.: RAPTOR RIG

**LINE REACTOR & RECTIFIER MODULE**  
 VELOCIRAPTOR RIG

INSTALLATION	PREV.	JOB NUMBER	REV
MUD PUMP	1111	203494	1
LOCATION	CONT.	SHEET	
RECT CABINET	1310	1300	

CAD FILE NAME: 203494-02-1300.DWG



NOTE: SCHEMATICS TYPICAL FOR ALL DRIVE CABINETS

CAD FILE NAME: 203494-02-1310.DWG

REV	DESCRIPTION	DRWN	ENGN	DATE
0	ISSUED FOR CONSTRUCTION	EC	DNT	27 MAR 2019
0A	ISSUED FOR CONSTRUCTION	BAE	DNT	7 MAY 2019
1	AS BUILT	BAE	DNT	31 MAY 2019

AS BUILT

THIS DRAWING AND THE INFORMATION AND DESIGN APPLICATION CONTAINED HEREIN IS THE PROPERTY OF QUAD PLUS AND IS LOANED UPON THE EXPRESS CONDITIONS THAT THE SAME BE RETURNED TO QUAD PLUS UPON REQUEST. ALL INFORMATION CONTAINED HEREIN SHALL BE TREATED AS SECRET AND CONFIDENTIAL. NO REPRODUCTION OF THIS DRAWING OR ANY PART THEREOF SHALL BE MADE WITHOUT THE WRITTEN CONSENT OF QUAD PLUS

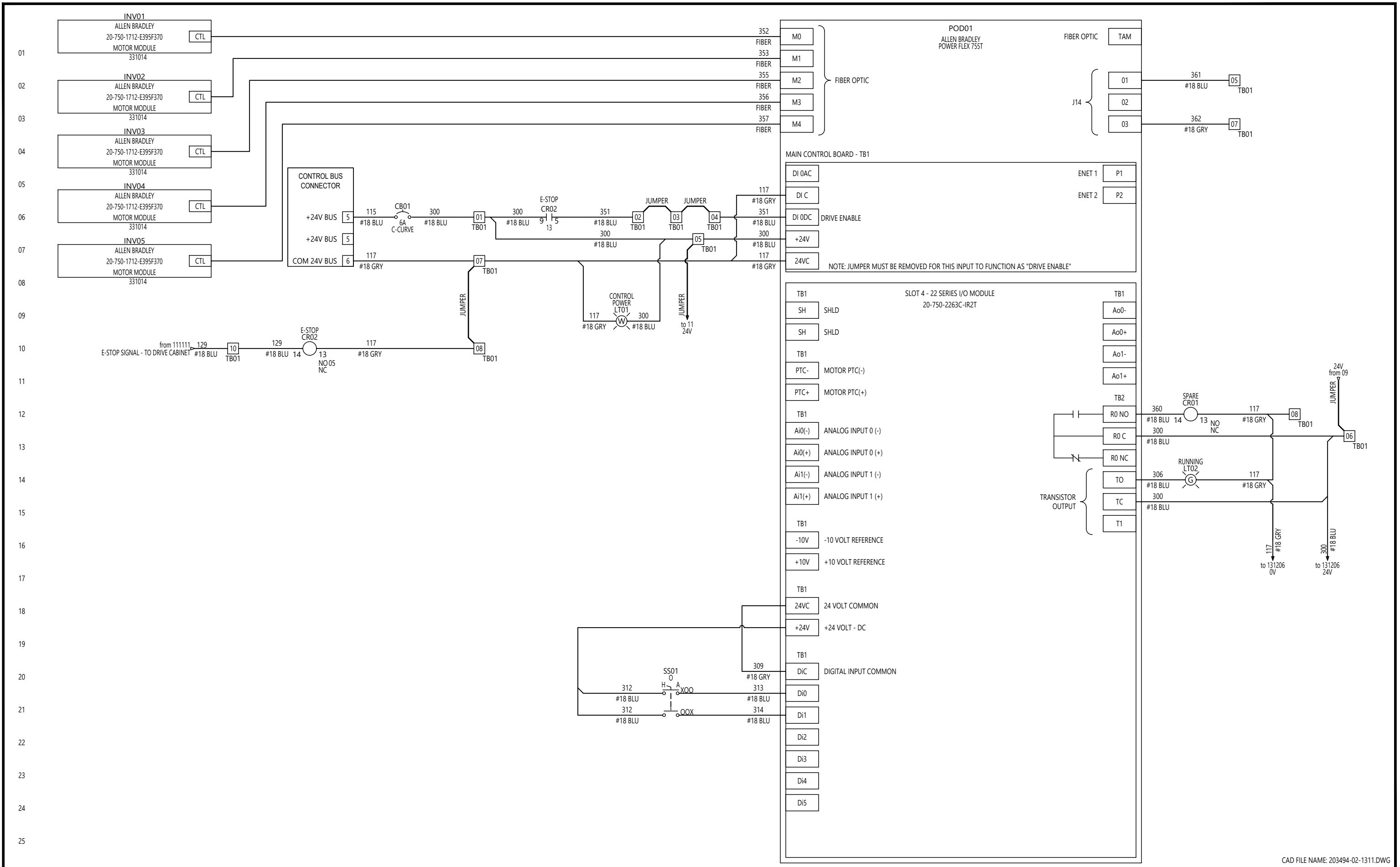


DRWN: BAE	DATE: 16 NOV 2018
ENGN: DNT	CO.: RAPTOR RIG

**MUD PUMP DRIVE  
POWER WIRING**  
VELOCIRAPTOR RIG

INSTALLATION	PREV.	JOB NUMBER	REV
MUD PUMP	1300	203494	1
LOCATION	CONT.	SHEET	
DRV CAB	1311	1310	

E:\CAMPOS - Friday, June 14, 2019 3:07:34 PM - J:\Raptor Rig\_203494 - Drive Lineup\02\_CAD\02\_DEVELOPMENT\203494-02-1310.dwg



REV	DESCRIPTION	DRWN	ENGN	DATE
0	ISSUED FOR CONSTRUCTION	EC	DNT	27 MAR 2019
0A	ISSUED FOR CONSTRUCTION	BAE	DNT	7 MAY 2019
1	AS BUILT	BAE	DNT	31 MAY 2019

**AS BUILT**

THIS DRAWING AND THE INFORMATION AND DESIGN APPLICATION CONTAINED HEREIN IS THE PROPERTY OF QUAD PLUS AND IS LOANED UPON THE EXPRESS CONDITIONS THAT THE SAME BE RETURNED TO QUAD PLUS UPON REQUEST. ALL INFORMATION CONTAINED HEREIN SHALL BE TREATED AS SECRET AND CONFIDENTIAL; NO REPRODUCTION OF THIS DRAWING OR ANY PART THEREOF SHALL BE MADE WITHOUT THE WRITTEN CONSENT OF QUAD PLUS



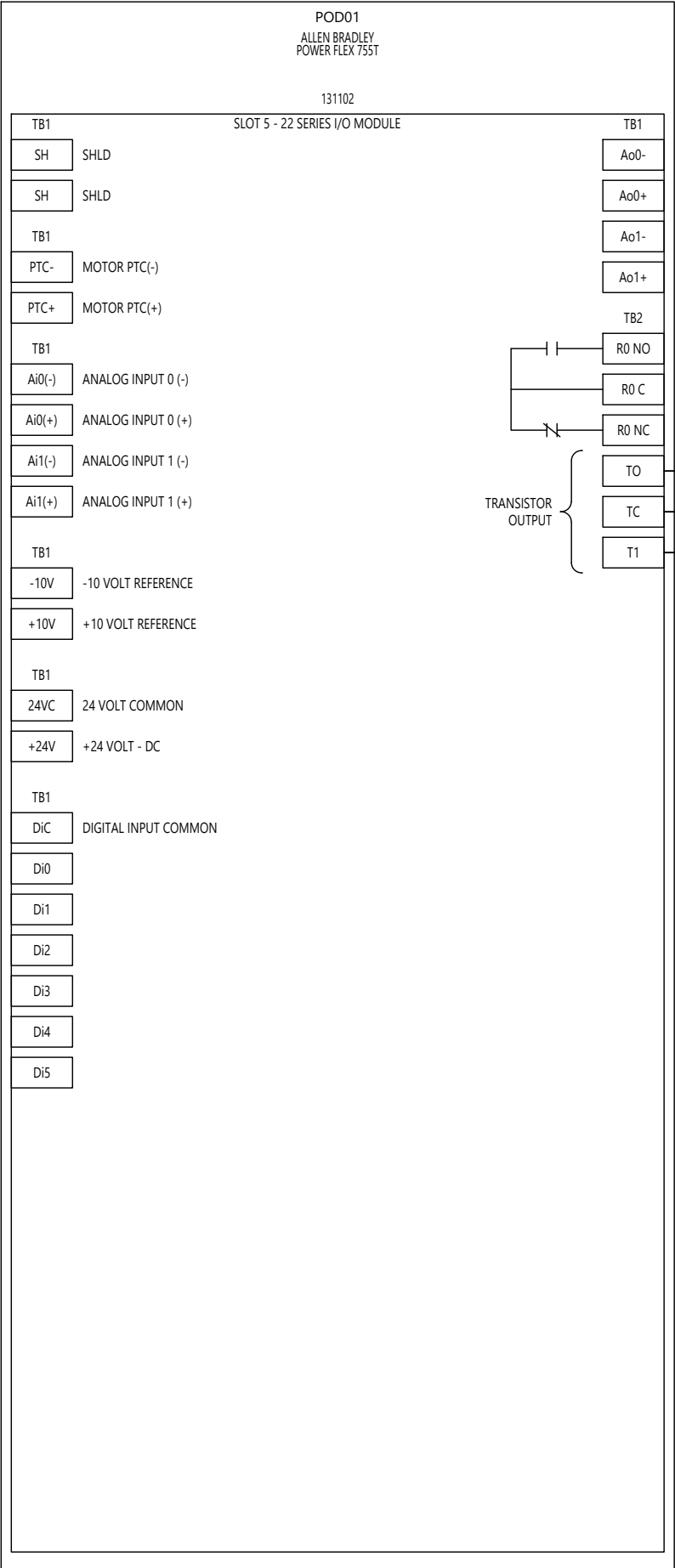
DRWN: BAE	ENGN: DNT	DATE: 16 NOV 2018	CO.: RAPTOR RIG
-----------	-----------	-------------------	-----------------

**MUD PUMP DRIVE  
CONTROL WIRING  
MAIN CONTROL BOARD AND SLOT 4  
VELOCIRAPTOR RIG**

INSTALLATION	PREV.	JOB NUMBER	REV
MUD PUMP	1310	203494	1
LOCATION	CONT.	SHEET	
DRV CAB	1312	1311	

CAD FILE NAME: 203494-02-1311.DWG

01  
02  
03  
04  
05  
06  
07  
08  
09  
10  
11  
12  
13  
14  
15  
16  
17  
18  
19  
20  
21  
22  
23  
24  
25



CAD FILE NAME: 203494-02-1312.DWG

REV	DESCRIPTION	DRWN	ENGN	DATE
0	ISSUED FOR CONSTRUCTION	EC	DNT	27 MAR 2019
0A	ISSUED FOR CONSTRUCTION	BAE	DNT	7 MAY 2019
1	AS BUILT	BAE	DNT	31 MAY 2019

**AS BUILT**

THIS DRAWING AND THE INFORMATION AND DESIGN APPLICATION CONTAINED HEREIN IS THE PROPERTY OF QUAD PLUS AND IS LOANED UPON THE EXPRESS CONDITIONS THAT THE SAME BE RETURNED TO QUAD PLUS UPON REQUEST. ALL INFORMATION CONTAINED HEREIN SHALL BE TREATED AS SECRET AND CONFIDENTIAL. NO REPRODUCTION OF THIS DRAWING OR ANY PART THEREOF SHALL BE MADE WITHOUT THE WRITTEN CONSENT OF QUAD PLUS

**Quad Plus**<sup>TM</sup>

NATIONAL SERVICE ALLIANCE - HOUSTON, LLC

(713) 462-8400  
www.QuadPlus.com

6410A Langfield Rd  
Houston, TX 77052

DRWN: BAE
ENGN: DNT
DATE: 16 NOV 2018
CO.: RAPTOR RIG

**MUD PUMP DRIVE  
CONTROL WIRING  
SLOT 5 AND SLOT 6  
VELOCIRAPTOR RIG**

INSTALLATION	PREV.	JOB NUMBER	REV
LINE UP	1311	203494	1
LOCATION	CONT.	SHEET	
DRV 1 CAB		1312	