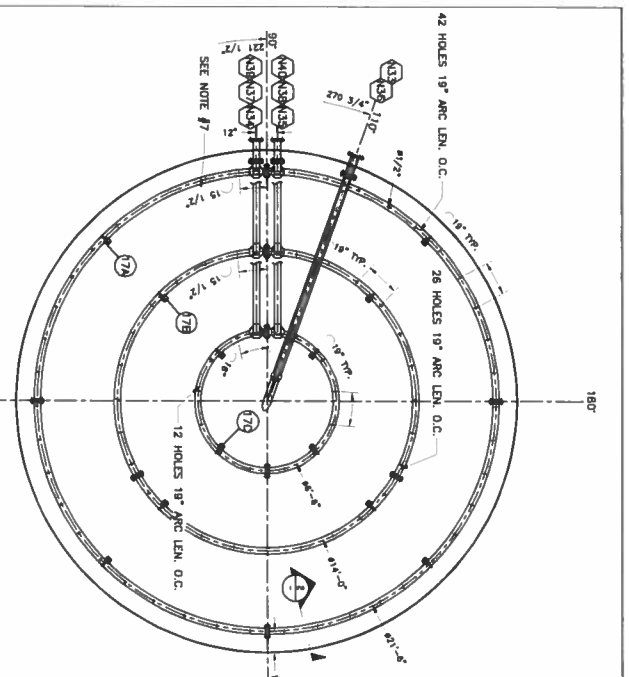


ATTACHMENT ORIENTATION SCHEDULE

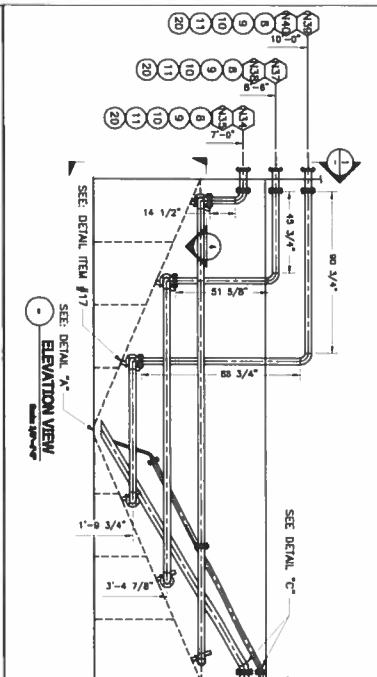
NO.	SIZE	DESCRIPTION	LOC.	ELEV.
1	1/2" SCH 40	1/2" SCH 40 FLANGE - 6" DIA. DIA. C/W DIMENSIONS	118	7'-6"
2	1/2" SCH 40	1/2" SCH 40 FLANGE - 6" DIA. FLUSH - 31'-67" C/W FLUSH MARK	118	7'-6"
3	1/2" SCH 40	1/2" SCH 40 FLANGE - 6" DIA. FLUSH - 31'-67" C/W FLUSH MARK	118	7'-6"
4	1/2" SCH 40	1/2" SCH 40 FLANGE - 6" DIA. FLUSH - 31'-67" C/W FLUSH MARK	118	7'-6"
5	1/2" SCH 40	1/2" SCH 40 FLANGE - 6" DIA. FLUSH - 31'-67" C/W FLUSH MARK	118	7'-6"
6	1/2" SCH 40	1/2" SCH 40 FLANGE - 6" DIA. FLUSH - 31'-67" C/W FLUSH MARK	118	7'-6"
7	1/2" SCH 40	1/2" SCH 40 FLANGE - 6" DIA. FLUSH - 31'-67" C/W FLUSH MARK	118	7'-6"
8	1/2" SCH 40	1/2" SCH 40 FLANGE - 6" DIA. FLUSH - 31'-67" C/W FLUSH MARK	118	7'-6"
9	1/2" SCH 40	1/2" SCH 40 FLANGE - 6" DIA. FLUSH - 31'-67" C/W FLUSH MARK	118	7'-6"
10	1/2" SCH 40	1/2" SCH 40 FLANGE - 6" DIA. FLUSH - 31'-67" C/W FLUSH MARK	118	7'-6"
11	1/2" SCH 40	1/2" SCH 40 FLANGE - 6" DIA. FLUSH - 31'-67" C/W FLUSH MARK	118	7'-6"
12	1/2" SCH 40	1/2" SCH 40 FLANGE - 6" DIA. FLUSH - 31'-67" C/W FLUSH MARK	118	7'-6"
13	1/2" SCH 40	1/2" SCH 40 FLANGE - 6" DIA. FLUSH - 31'-67" C/W FLUSH MARK	118	7'-6"
14	1/2" SCH 40	1/2" SCH 40 FLANGE - 6" DIA. FLUSH - 31'-67" C/W FLUSH MARK	118	7'-6"
15	1/2" SCH 40	1/2" SCH 40 FLANGE - 6" DIA. FLUSH - 31'-67" C/W FLUSH MARK	118	7'-6"
16	1/2" SCH 40	1/2" SCH 40 FLANGE - 6" DIA. FLUSH - 31'-67" C/W FLUSH MARK	118	7'-6"
17	1/2" SCH 40	1/2" SCH 40 FLANGE - 6" DIA. FLUSH - 31'-67" C/W FLUSH MARK	118	7'-6"
18	1/2" SCH 40	1/2" SCH 40 FLANGE - 6" DIA. FLUSH - 31'-67" C/W FLUSH MARK	118	7'-6"
19	1/2" SCH 40	1/2" SCH 40 FLANGE - 6" DIA. FLUSH - 31'-67" C/W FLUSH MARK	118	7'-6"
20	1/2" SCH 40	1/2" SCH 40 FLANGE - 6" DIA. FLUSH - 31'-67" C/W FLUSH MARK	118	7'-6"
21	1/2" SCH 40	1/2" SCH 40 FLANGE - 6" DIA. FLUSH - 31'-67" C/W FLUSH MARK	118	7'-6"
22	1/2" SCH 40	1/2" SCH 40 FLANGE - 6" DIA. FLUSH - 31'-67" C/W FLUSH MARK	118	7'-6"

BILL OF MATERIALS

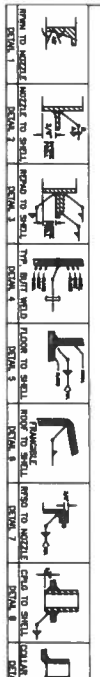
NO.	QTY	DESCRIPTION	MATERIAL
1	1	1" SCH 40 FLANGE	SA-1008
2	1	1" SCH 40 FLANGE	SA-1008
3	1	1" SCH 40 FLANGE	SA-1008
4	1	1" SCH 40 FLANGE	SA-1008
5	1	1" SCH 40 FLANGE	SA-1008
6	1	1" SCH 40 FLANGE	SA-1008
7	1	1" SCH 40 FLANGE	SA-1008
8	1	1" SCH 40 FLANGE	SA-1008
9	1	1" SCH 40 FLANGE	SA-1008
10	1	1" SCH 40 FLANGE	SA-1008
11	1	1" SCH 40 FLANGE	SA-1008
12	1	1" SCH 40 FLANGE	SA-1008
13	1	1" SCH 40 FLANGE	SA-1008
14	1	1" SCH 40 FLANGE	SA-1008
15	1	1" SCH 40 FLANGE	SA-1008
16	1	1" SCH 40 FLANGE	SA-1008
17	1	1" SCH 40 FLANGE	SA-1008
18	1	1" SCH 40 FLANGE	SA-1008
19	1	1" SCH 40 FLANGE	SA-1008
20	1	1" SCH 40 FLANGE	SA-1008
21	1	1" SCH 40 FLANGE	SA-1008
22	1	1" SCH 40 FLANGE	SA-1008



PLAN VIEW



ELEVATION VIEW



SECTION VIEW

- NOTES:
1. WELD IN ACCORDANCE WITH API-650 APPROVED CODE AND CLIENT SPECIFICATIONS AND CONSTRUCTION.
 2. WELDING SHALL BE PERFORMED BY A WELDER QUALIFIED TO WELD TO THE SAME THICKNESS AS THE THICKNESS OF ALL PARTS TO BE WELDED.
 3. ALL WELDS SHALL BE FULL PENETRATION BUTT JOINTS.
 4. DO NOT SCALE DRAWING.
 5. DIMENSIONS AND TOLERANCES ARE IN INCHES UNLESS OTHERWISE NOTED.
 6. DIMENSIONS AND TOLERANCES ARE IN MILLIMETERS UNLESS OTHERWISE NOTED.
 7. ALL DIMENSIONS FROM FACE OF FLANGE.

NO.	DATE	DESCRIPTION	BY	CHKD	APP'D
1	10/19/2011	ISSUED FOR CONSTRUCTION	ES	-	-
0	10/19/2011	ISSUED FOR CONSTRUCTION	ES	-	-

APPRVD. FINAL



PROJECT: 2280 BM SINGLE WALL CONTAINMENT TANK
 TITLE: DESAND RING DETAIL & MISC DETAIL / T-6400
 23'-6" O.D. TANK
 32" HIGH

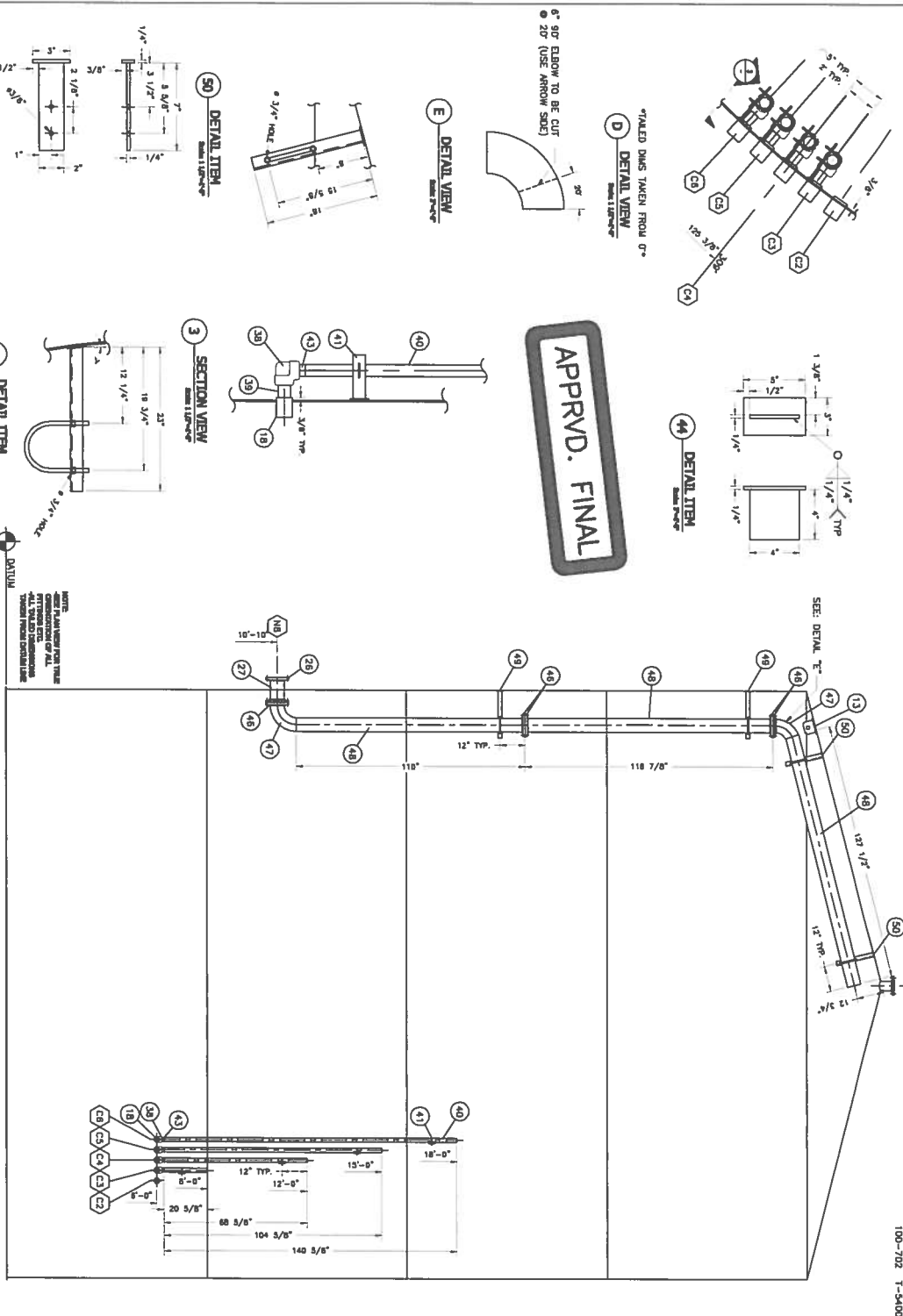
NO.	DATE	DESCRIPTION	BY	CHKD	APP'D
1	04/19/2011	ISSUED FOR CONSTRUCTION	ES	-	-

100-702 1-5400

ATTACHMENT ORIENTATION SCHEDULE

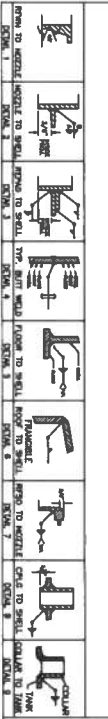
NO.	SIZE	DESCRIPTION	LOC.	ELEV.
01	6"	1/2" SLOTTED HULL SHELL, 60° RADIUS	01	11'-0"
02	1 1/2"	3000 PSI, 60° RADIUS	02	8'-0"
03	1 1/2"	3000 PSI, 60° RADIUS	03	8'-0"
04	1 1/2"	3000 PSI, 60° RADIUS	04	8'-0"
05	1 1/2"	3000 PSI, 60° RADIUS	05	8'-0"
06	1 1/2"	3000 PSI, 60° RADIUS	06	8'-0"
07	1 1/2"	3000 PSI, 60° RADIUS	07	8'-0"
08	1 1/2"	3000 PSI, 60° RADIUS	08	8'-0"
09	1 1/2"	3000 PSI, 60° RADIUS	09	8'-0"
10	1 1/2"	3000 PSI, 60° RADIUS	10	8'-0"

REFER TO PL. 1 FOR BILL OF MATERIALS



APPRVD. FINAL

WELD DETAILS



- 1. WELD IN ACCORDANCE WITH API-650 WELDED CODE AND CLIENT
- 2. WELD TO BE FULL PENETRATION
- 3. DO NOT SCALE DRAWING
- 4. DESIGN AND TEST PRESSURE OR LESS
- 5. TEST PRESSURE ON P&ID 3000 PSI

ELEVATION VIEW

REV.	DATE	DESCRIPTION	BY	CHKD.	APP'D.
1	10/18/2011	MS CORRECTION			
0	10/13/2011	DESIGN FOR CONSTRUCTION			

CLIENT: **EMTERRANTIA INDUSTRIES**

TANK MANUFACTURER: **JENSEN'S**

PROJECT: 2280 BM SINGLE WALL CONTAINMENT TANK

TITLE: **DETAIL / T-6400**
23" O.D. TANK
32" HIGH

DATE	10/13/2011
SCALE	AS SHOWN
SHEET NO.	3 OF 3
TANK NO.	100-702
REV.	1