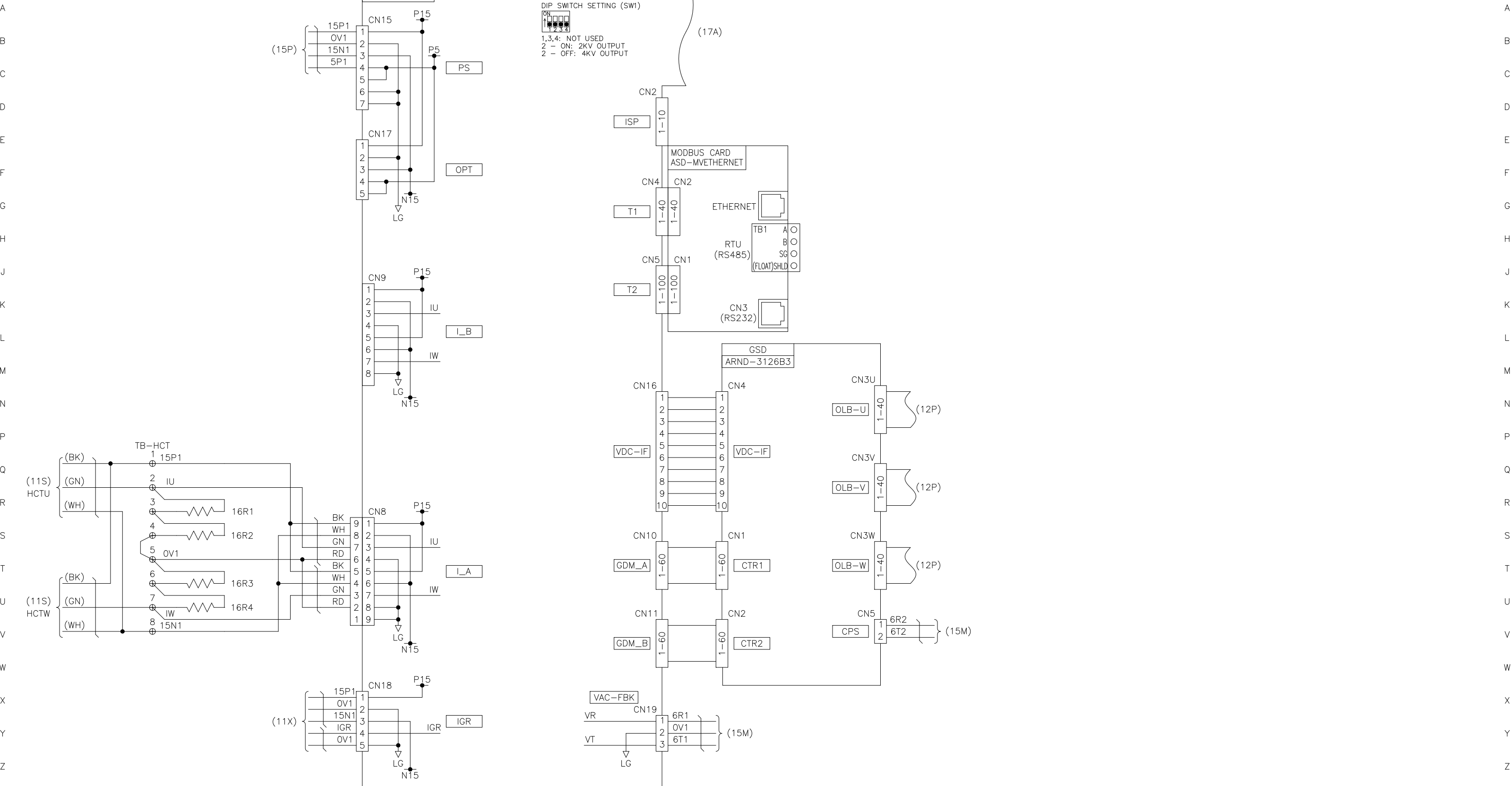


A B C D E F G H J K L M N P Q R S T U V W X Y Z



4					
3					
2					
1					
0	06/16/11	FIRST ISSUE	CA	AL	AL
REV	DATE	DESCRIPTION	BY	CHK	APPR

TOSHIBA
TOSHIBA INTERNATIONAL CORPORATION
 MADE IN HOUSTON, TEXAS U.S.A.

THIS MATERIAL IS THE EXCLUSIVE PROPERTY OF TOSHIBA INTERNATIONAL CORPORATION AND SHALL NOT BE REPRODUCED, USED, OR DISCLOSED TO OTHERS UNLESS PRIOR WRITTEN AUTHORIZATION IS OBTAINED.

TITLE: PCB INTERCONNECTION (1)
 TOSVERT-300MVi

CUSTOMER: TUNDRA PROCESS SOLUTIONS

PROJECT NUMBER: 145718

REVISION: 0

SCALE: NTS

DRAWING NUMBER: 145718318016

