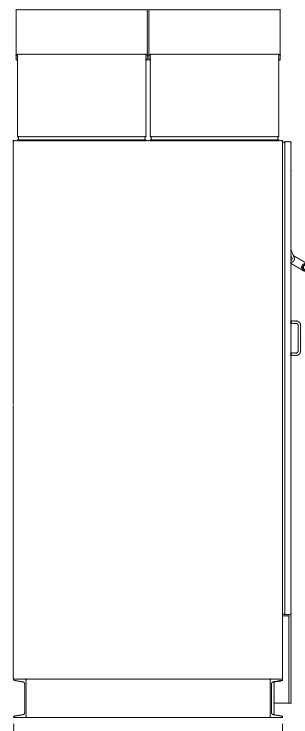
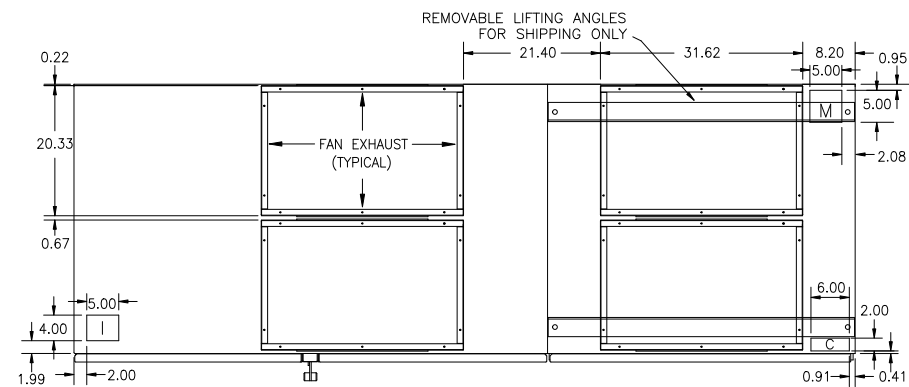


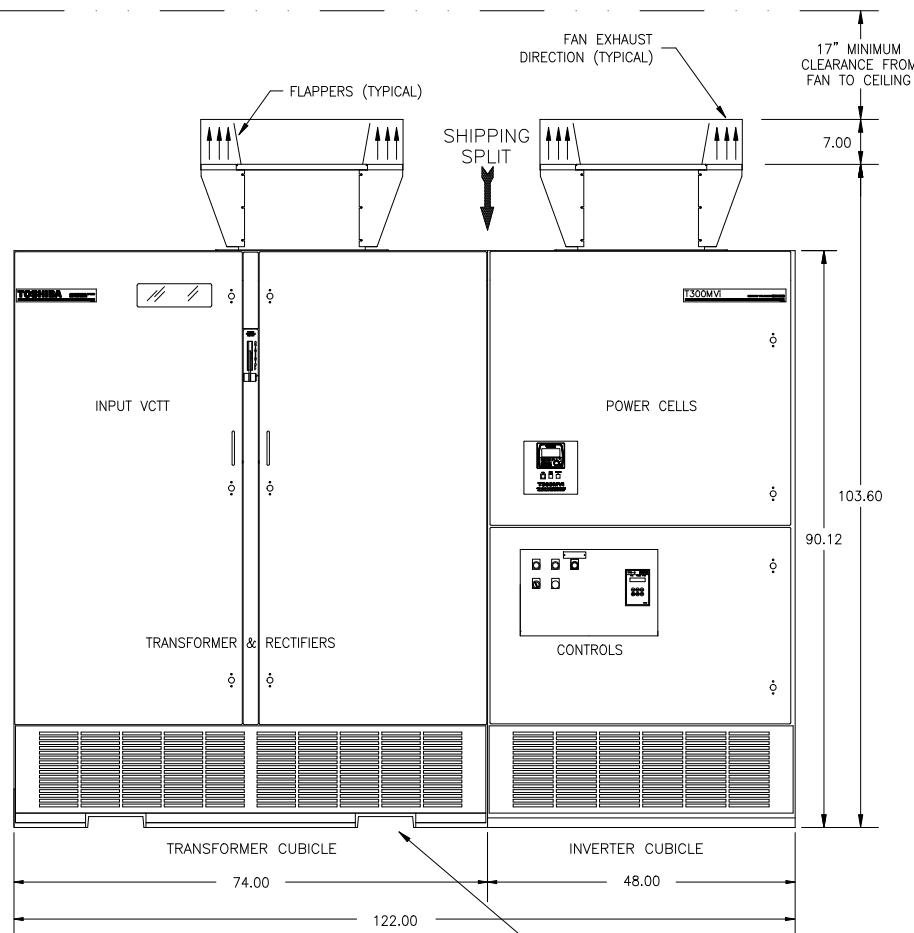
INSTALLATION DETAIL



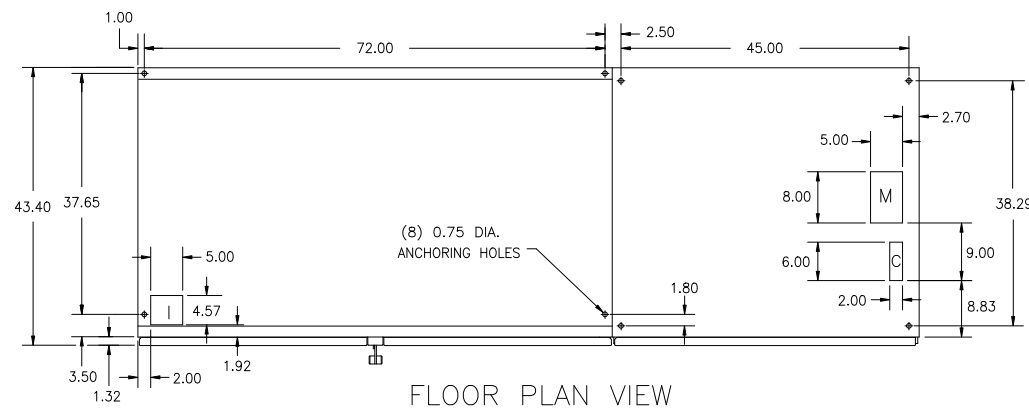
LH VIEW



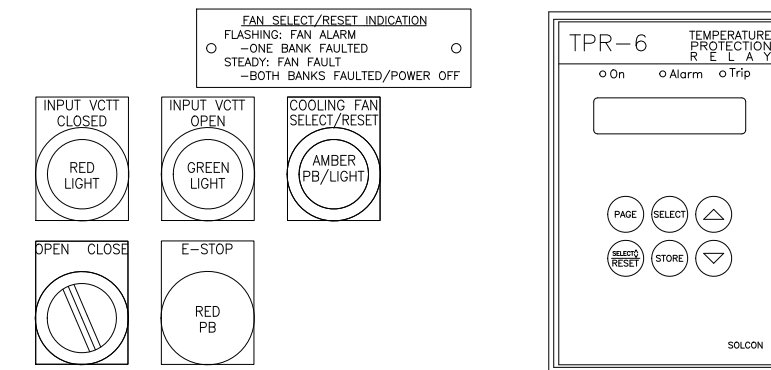
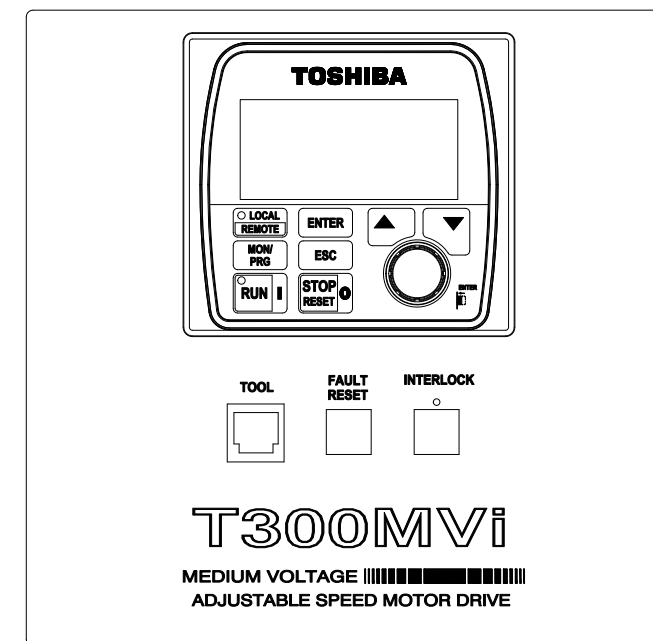
TOP VIEW



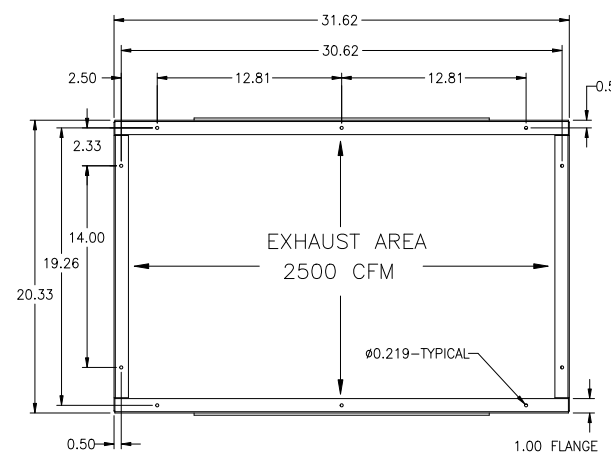
FRONT VIEW



FLOOR PLAN VIEW



DETAIL PILOT DEVICES AND KEYPAD



TYPICAL EXHAUST FAN HOLE PATTERN FOR CUSTOMER DUCTWORK (TOP VIEW - REDUNDANT FAN)

CABLE TERMINATIONS			
ENTRY	INCOMING CABLES	MOTOR LEADS	CONTROL WIRE
TOP	I	M	C
BOTTOM	I	M	C

INCOMING TERMINATIONS USE NEMA 4-HOLE PATTERN
 MOTOR TERMINATIONS:
 USE NEMA 4-HOLE PATTERN
 USE NEMA 2-HOLE PATTERN FOR VFD W/BYPASS

- NOTES**
- ENCLOSURE TYPE: NEMA 1 W/GASKETED DOORS
 - FINISH: ANSI 61 TEXTURED GRAY PAINT
 - ALL WEIGHTS ARE APPROXIMATE
 - ALL DIMS ARE IN INCHES
 - POWER CELLS NEED TO BE REMOVED FOR ACCESS

	2000HP
TRANSFORMER CUBICLE	10,150 lbs
INVERTER CUBICLE	2,650 lbs

4					
3					
2					
1					
0	06/16/11	FIRST ISSUE	CA	AL	AL
REV	DATE	DESCRIPTION	BY	CHK	APPR

TOSHIBA
 TOSHIBA INTERNATIONAL CORPORATION
 MADE IN HOUSTON, TEXAS U.S.A.
 THIS MATERIAL IS THE EXCLUSIVE PROPERTY OF TOSHIBA INTERNATIONAL CORPORATION AND SHALL NOT BE REPRODUCED, USED, OR DISCLOSED TO OTHERS UNLESS PRIOR WRITTEN AUTHORIZATION IS OBTAINED.

TITLE: ENCLOSURE OUTLINE - FRAME 1, 4160V
 TOSVERT-300MVi
 TUNDRA PROCESS SOLUTIONS 145718

REVISION: 0 SCALE: 1.0=16.0
 DRAWING NO.: 145718318030