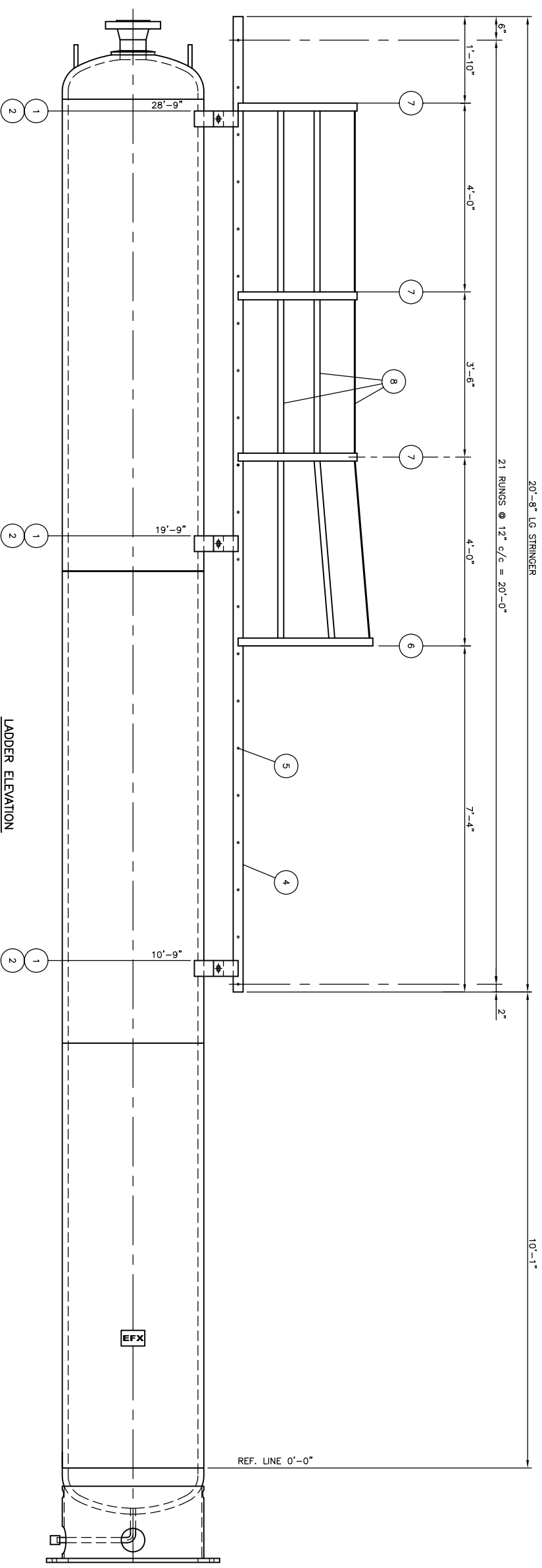
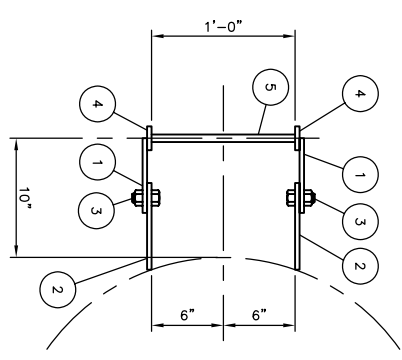
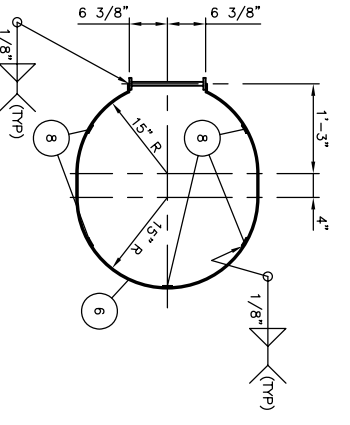
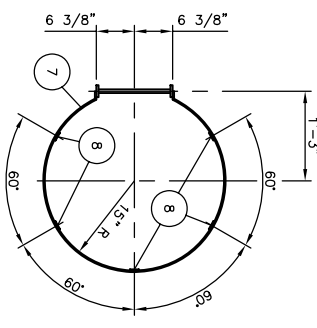
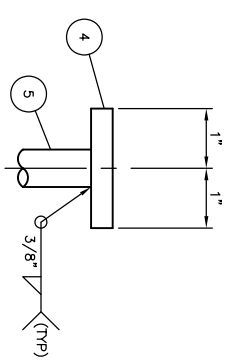
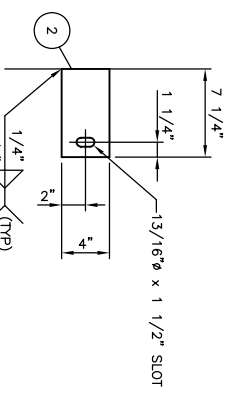
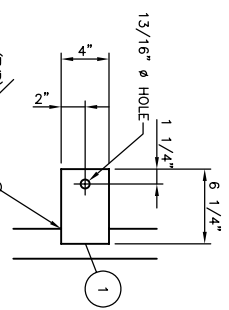


THIS DRAWING IS THE EXCLUSIVE PROPERTY OF PRESSON ENERFLEX AND MAY NOT BE COPIED OR COMMUNICATED TO A THIRD PARTY WITHOUT THE WRITTEN AUTHORIZATION OF PRESSON ENERFLEX.

BILL OF MATERIALS

MARK	PART	DESCRIPTION	QTY.	MATERIAL
1	LADDER CLIP	4" x 3/8" PL x 6 1/4" LG	6	SAG40.21.44W
2	LADDER CLIP	4" x 3/8" PL x 7 1/4" LG	6	SAG40.21.44W
3	BOLTING	3/4" ϕ x 1 1/2" LG CAPSCREWS c/w (1) NUT EACH	6	A325
4	STRINGER	2" x 3/8" FB x 20'-8" LG	2	SAG40.21.44W
5	RUNG	5/8" ϕ BAR x 1'-0" LG	21	SAG40.21.44W
6	BOTTOM HOOP	2" x 1/4" FB x 94" LG	1	SAG40.21.44W
7	HOOP	2" x 1/4" FB x 86" LG	3	SAG40.21.44W
8	CAOE BARS	1 1/2" x 3/16" FB x 11'-9" LG (CUT TO SUIT)	5	SAG40.21.44W



NOTE
1) REFER TO DWG B7113-240 SH1. 1 OF 2 FOR LADDER ORIENTATION.

NO.	ISSUED FOR APPROVAL	BY	CHKD.	DATE
A	ISSUED FOR APPROVAL	RA		04/10/03

CUSTOMER REFERENCE	T.B.A.
--------------------	--------

CUSTOMER	TRIDENT EXPLORATION LTD.	JOB NO.	B7113-20
PRODUCT	DEHYDRATION PACKAGE / CBM COMPRESSOR STATION		
TITLE	GLYCOL CONTACTOR (C-300) LADDER DETAILS		
DRAWN	RA	CHECKED	APPROVED
SCALE	3/4"=1'-0"	DATE	04/10/03
FORMING NUMBER	B7113-240 SH1. 2 OF 2		

