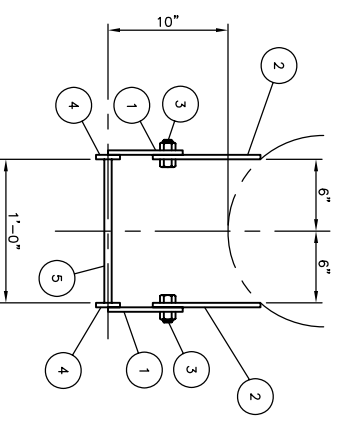
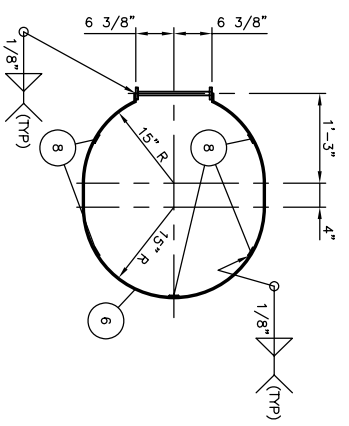
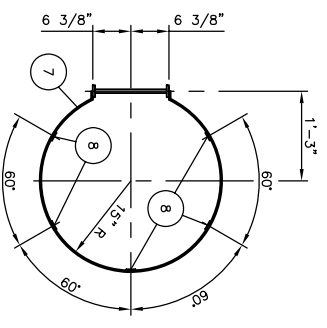
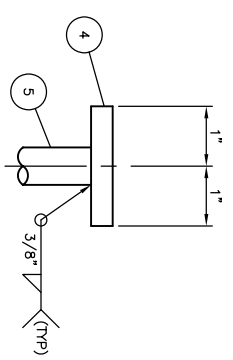
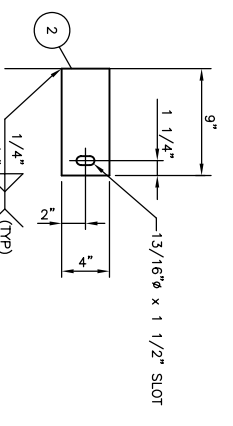
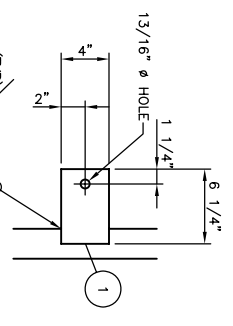


BILL OF MATERIALS

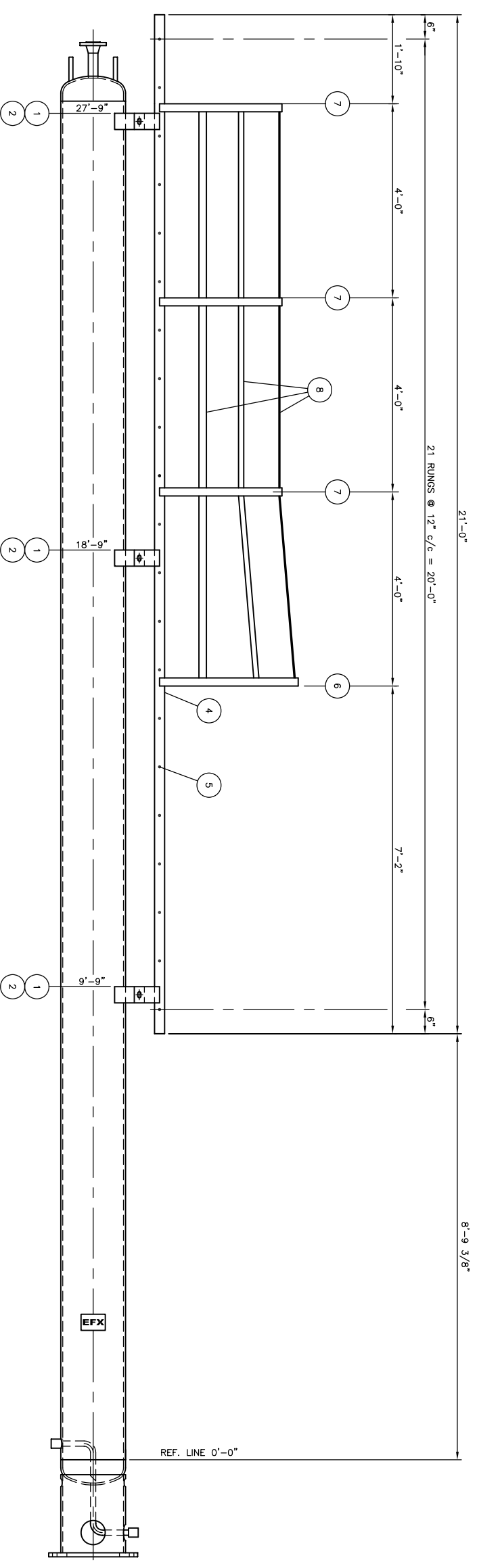
MARK	PART	DESCRIPTION	QTY.	MATERIAL
1	LADDER CLIP	4" x 3/8" PL x 6 1/4" LG	6	SAG40.21.44W
2	LADDER CLIP	4" x 3/8" PL x 9" LG	6	SAG40.21.44W
3	STRINGER	3/4" x 1 1/2" LG CARBONSTEEL c/w (1) NUT EACH	6	A325
4	RUNG	2" x 3/8" FB x 21'-0" LG	21	SAG40.21.44W
5	RUNG	5/8" x 1'-0" LG	21	SAG40.21.44W
6	BOTTOM HOOP	2" x 1/4" FB x 94" LG	1	SAG40.21.44W
7	HOOP	2" x 1/4" FB x 86" LG	3	SAG40.21.44W
8	CAFE BARS	1 1/2" x 3/16" FB x 12'-2" LG (CUT TO SUIT)	5	SAG40.21.44W



HOOP DETAIL

BOTTOM HOOP DETAIL

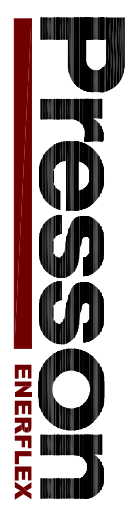
PLAN OF LADDER



LADDER ELEVATION

NOTE
1) REFER TO DWG B7113-241 SH1. 1 OF 2 FOR LADDER ORIENTATION.

NO.	REVISION	BY	CHKD.	DATE
0	ISSUED FOR CONSTRUCTION	LM		04/10/14
A	ISSUED FOR APPROVAL	RA		04/10/04



CUSTOMER REFERENCE	T.B.A.	CUSTOMER	TRIDENT EXPLORATION LTD.	JOB NO.	B7113-21
PRODUCT	DEHYDRATION PACKAGE / CBM COMPRESSOR STATION	PROJECT	LSD T.B.A.	DRAWN	RA
TITLE	GLYCOL CONTACTOR (C-310)	DESIGNED		APPROVED	
	LADDER DETAILS	SCALE	3/4"=1'-0"	DATE	04/10/04
		ISSUING NUMBER	B7113-241 SH1. 2 OF 2		