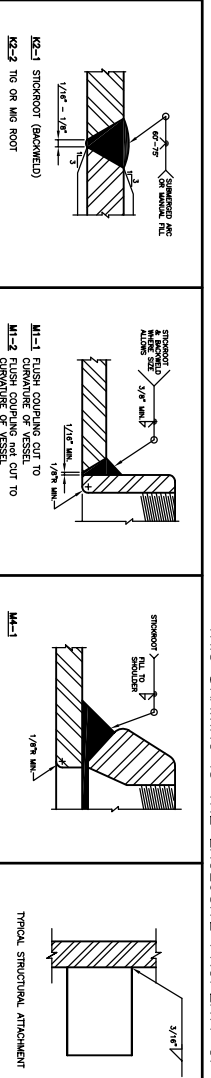


THIS DRAWING IS THE EXCLUSIVE PROPERTY OF PRESSON ENERFLEX AND MAY NOT BE COPIED OR COMMUNICATED TO A THIRD PARTY WITHOUT THE WRITTEN AUTHORIZATION OF PRESSON ENERFLEX.

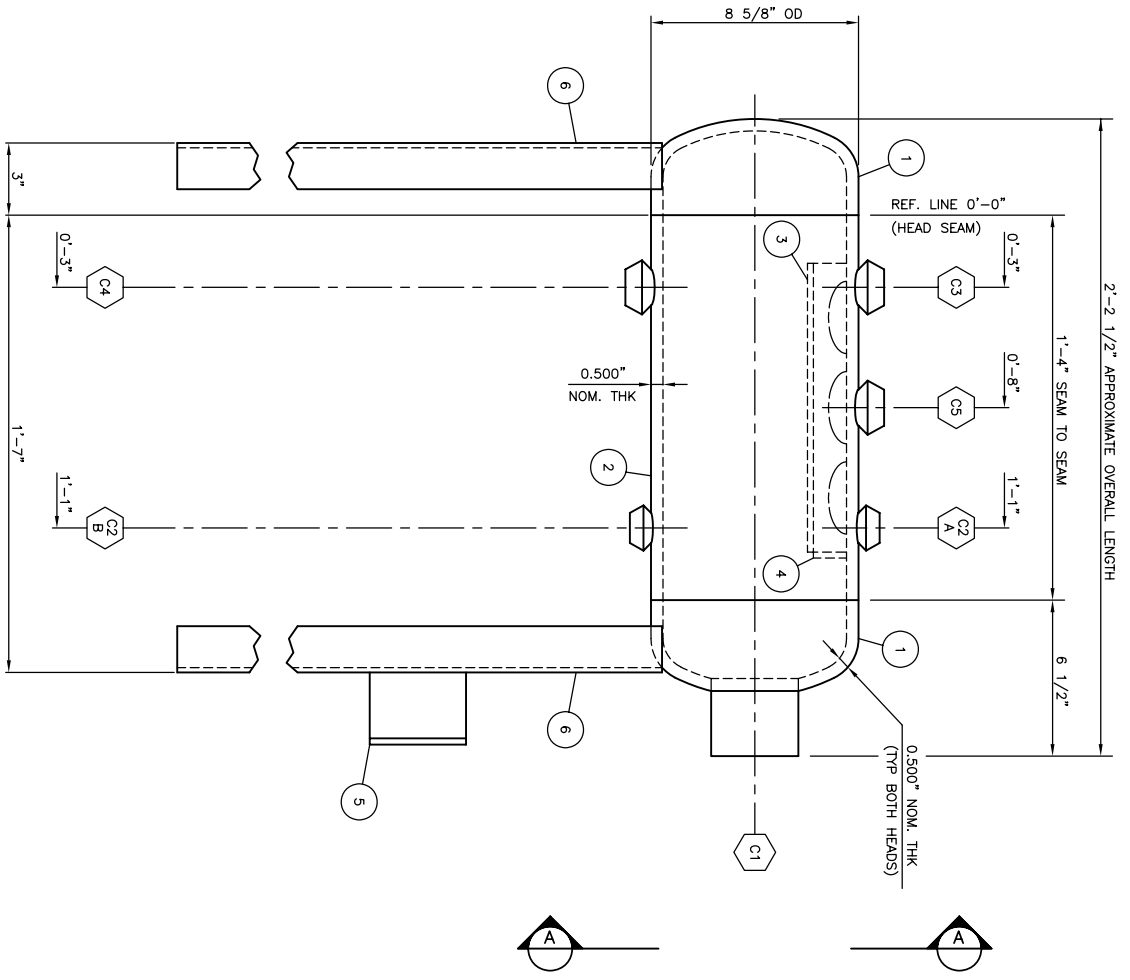


PM-108

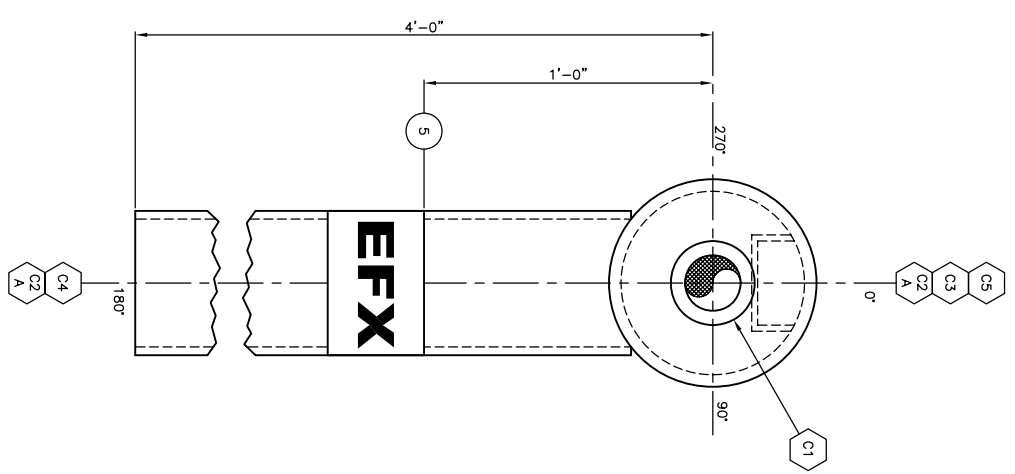
PM-105

PM-105

PM-105



ELEVATION



SECTION "A-A"

- NOTES:**
- 12) SEAL WELD ALL INTERNAL ATTACHMENTS WHERE ACCESSIBLE.
  - 13) VESSEL EXTERIOR TO BE SANDBLASTED PER SSPC-SP6.
  - 14) SANDBLASTING SHALL NOT BE CONDUCTED ON SURFACES THAT ARE LESS THAN 3\"/>

**GENERAL NOTES**

1. WELDING PROCEDURES: WP-719.2
2. QUALITY CONTROL PROGRAM: AQP-1077
3. REFERENCE DRAWING NUMBER: STD. 2000 (WELD STANDARDS)
4. ALL BOLT HOLES TO STRADDLE CENTRE LINES
5. SERIAL NUMBER: E7113-22
6. SERVICE: SWEET
7. LONG SEAM WPS: NONE
8. PRE-HEAT TO: NONE
9. SURFACE PREP. INT.: NONE
10. SURFACE FINISH EXT.: (1) COAT VALSPAR ZINC CHROMATE PRIMER
11. INSULATION: NONE

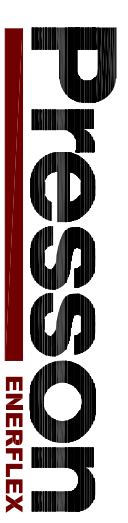
REF. DWG.: STD-2002 C.R.N.: H5779.2

**DESIGN DATA**

CODE ASME SECTION VIII, DIV. 1, 2001 EDITION A-03 ADDENDA  
 DESIGN PRESS. 1350 PSIG ( 9308 kPag) DESIGN TEMP. 150 °F ( 66 °C)  
 MIN. DESIGN METAL TEMP. -20 °F ( -29 °C) PSIG ( - kPag)  
 M.A.W.P. @ MAX. TEMP. PSIG ( kPag)  
 M.A.W.P. NEW & COLD PSIG ( kPag)  
 HYDROSTATIC TEST PRESSURE: 2025 PSIG ( 13962 kPag)  
 CORROSION ALLOW. 0.0625\"/>

**BILL OF MATERIALS**

MARK	PART	DESCRIPTION	QTY	MATERIAL	WELD SYM
1	HEADS	8" SCH XH BW CAP	2	SA-234WPB	K2-2
2	SHELL	8" SCH XH SMLS PIPE X 1'-4" LG	1	SA-106B	
3	DISTRIBUTOR	C4 X 5.4# X 1'-0" LG (SEE DETAIL)	1	SA640.2144W	
4	END PLATE	1 1/2" X 1/4" PL X 3 7/8" LG	1	SA640.2144W	
5	NAME PLATE	STANDARD NAME PLATE C/W "T" BRACKET	1	SA640.2144W	
6	SUPPORT LEGS	C6 X 8.2# X 3'-8 5/8" LG	2	SA640.2144W	
C1	LC-901/INSP	2" 3000# NPT FULL CPLG	1	SA-105N	M1-2
C2	LG-901	3/4" 3000# NPT TOL	2	SA-105N	M4-1
C3	INLET	1" 3000# NPT TOL	1	SA-105N	M4-1
C4	OUTLET/INSP	1" 3000# NPT TOL	1	SA-105N	M4-1
C5	VENT	1" 3000# NPT TOL	1	SA-105N	M4-1



CUSTOMER: TRIDENT EXPLORATION LTD. JOB NO. B7113-22

CUSTOMER REF. NO. T.B.A. PROJECT: DEHYDRATION PACKAGE / CBM COMPRESSOR STATION

TITLE: GLYCOL ACCUMULATOR BOTTLE

8 5/8" OD x 1'-4" S/S x 1350 PSIG @ 150°F  
 219 mm x 406 mm S/S x 9308 kPag @ 66°C

DRAWN TP CHECKED APPROVED SCALE 3"=1'-0" DATE 04/09/17 DRAWING NUMBER B7113-242 SHT. 1 OF 1