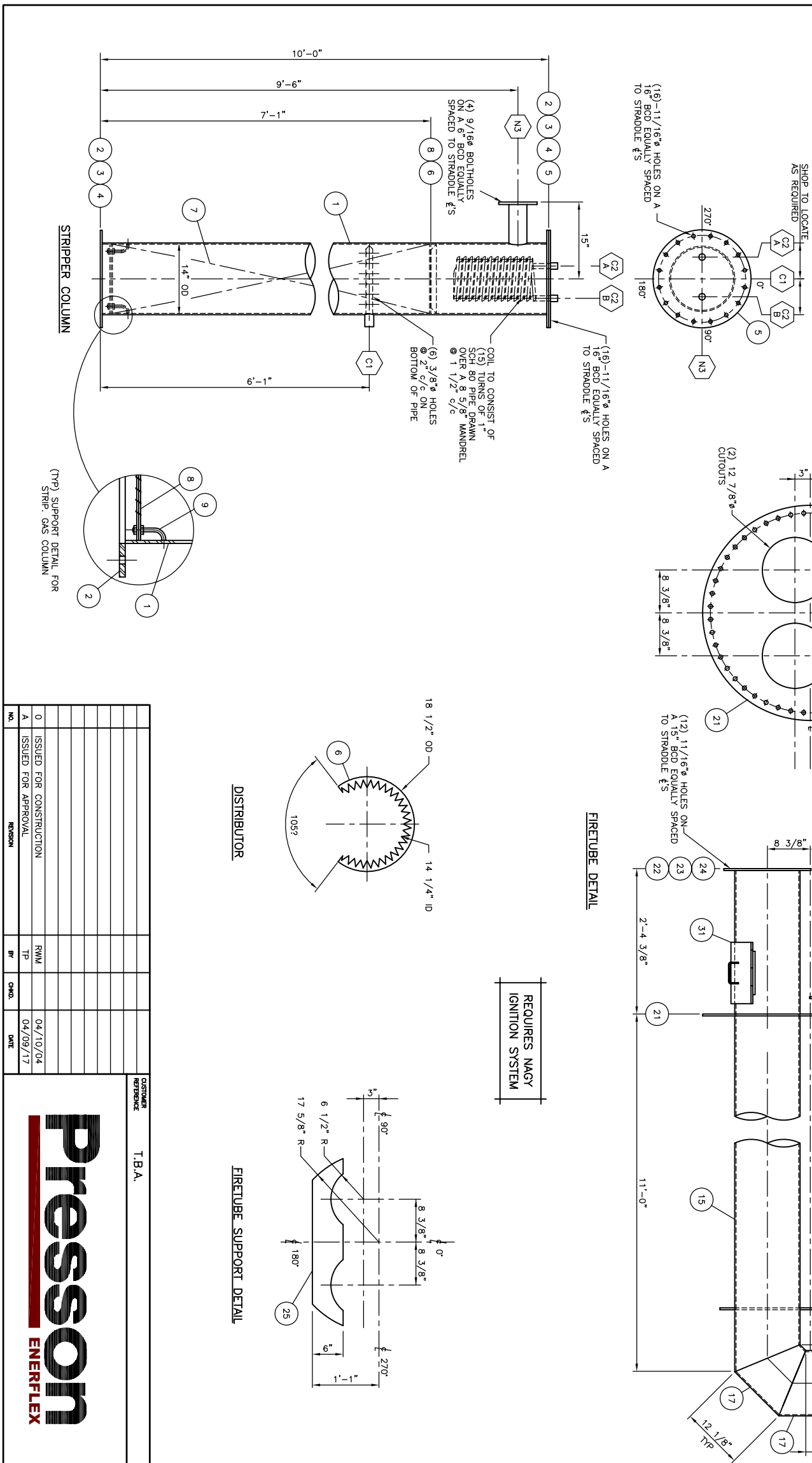
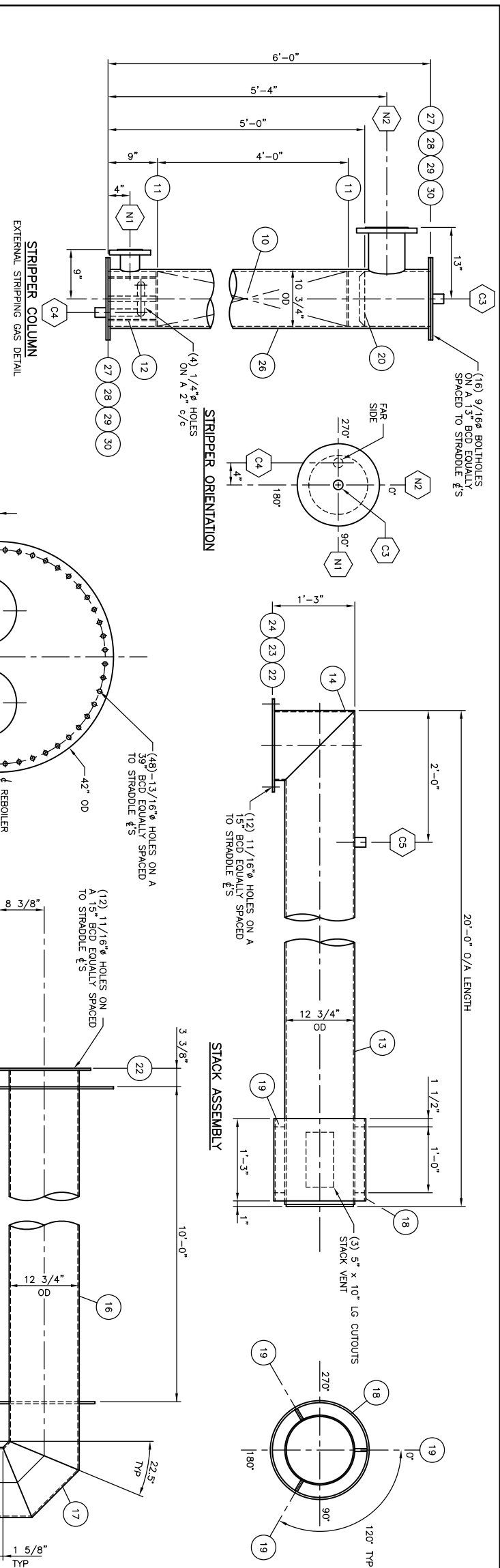


BILL OF MATERIALS



MARK	PART	DESCRIPTION	QTY.	MATERIAL
1	STRIPPER	14" x 0.189W ERW PIPE x 10'-0" LG	1	SA-53B
2	FLANGE	18" OD x 3/8" PL x 14 1/8" ID	2	SAG40,2144W
3	GASKET	18" OD x 14 1/8" ID x 1/8" GASKET	2	JM-60
4	BOLTING	5/8" x 1 1/2" LG CAPSCREWS c/w (1) NUT EACH	32	CS
5	TOP PL	18" OD x 3/8" PL	1	SAG40,2144W
6	DISTRIBUTOR	18 1/2" OD x 1 1/2" PL x 14 1/4" ID	1	SAG40,2144W
7	PACKING	1" STEEL PALL RINGS	6.0 FT <sup>3</sup>	CS
8	SUPPORT	13 1/4" OD x #4 XPM	2	SAG40,2144W
9	BOLTING	2" U-BOLTS c/w (4) NUTS EACH (CUT IN HALF)	2	CS
10	PACKING	1" STEEL PALL RINGS	3.0 FT <sup>3</sup>	CS
11	SUPPORT	1" OD x #4 XPM	2	SAG40,2144W
12	PKG SUPPORT	1" x 1/4" FB x 9" LG	4	SAG40,2144W
13	STACK	12" x 0.189W ERW PIPE x 20'-0" LG	1	SA-53B
14	STACK	12" x 0.189W ERW PIPE x 1'-3" LG	1	SA-53B
15	FIRETUBE	12" x 0.250W ERW PIPE x 13'-4" LG	1	SA-53B
16	FIRETUBE	12" x 0.250W ERW PIPE x 11'-3" LG	1	SA-53B
17	FIRETUBE	12" x 0.250W ERW PIPE x 1'-0 1/8" LG	3	SA-53B
18	DEFLECTOR	18" OD x 3/16" PL x 1'-3" LG	1	SAG40,2144W
19	SUPPORT	2 3/8" x 1/4" PL x 1'-3" LG	3	SAG40,2144W
20	DISTRIBUTOR	11 1/2" OD x 1 1/4" PL x 9 1/2" ID	1	SAG40,2144W
21	FIRETUBE END PL	42" OD x 3/8" PL	1	SAG40,2144W
22	FLANGE	17" OD x 3/8" PL x 12 7/8" ID	3	SAG40,2144W
23	BOLTING	1" OD x 1 1/2" LG CAPSCREWS c/w (1) NUT EACH	2	JM-60
24	GASKET	5/8" x 1 1/2" LG CAPSCREWS c/w (1) NUT EACH	24	CS
25	F.T. SUPPORT	35 1/4" OD x 3/8" PL x 6" HIGH (SEE DETAIL)	1	SA-53B
26	STRIPPER	10" x 0.189W ERW PIPE x 6'-0" LG	1	SAG40,2144W
27	FLANGE	15" OD x 3/8" PL x 10 7/8" ID	2	SAG40,2144W
28	GASKET	15" OD x 10 7/8" ID x 1/8" GASKET	2	JM-60
29	BOLTING	1 1/2" x 1 1/2" LG CAPSCREWS c/w (1) NUT EACH	32	CS
30	TOP PL	15" OD x 3/8" PL	2	SAG40,2144W
31	MAINTENANCE DOOR	REFER TO DWG #B7113-640 SHIT 3 OF 3 FOR DETAILS	2	SAG40,2144W
C1	GLYCOL IN	1" 3000# NPT FULL CPLG	1	SA-105N
C2	REFLUX COIL	1" SCH 80 SMLS PIPE x 1'-0" LG	1	SA-106B
C3	VENT	1" 3000# NPT FULL CPLG	2	SA-105N
C4	SPARGER	1" 3000# NPT FULL CPLG	1	SA-105N
C5	SAMPLE	1" 3000# NPT FULL CPLG	1	SA-105N
N1	GLYCOL OUTLET	3" 150# FR SLIP-ON FLG	1	SA-105N
N2	GLYCOL INLET	3" SCH STD SMLS PIPE x 4 1/4" LG	1	SA-106B
N3	VENT	6" 150# FR SLIP-ON FLG	1	SA-105N
N4	VENT	6" SCH STD SMLS PIPE x 9 1/4" LG	1	SA-106B
N5	VENT	3" SCH STD SMLS PIPE x 8" LG	1	SA-106B
N6	VENT	8" OD x 1/2" PL x 3 5/8" ID	1	JM-60
N7	VENT	8" OD x 3/8" ID x 1/8" GASKET	1	JM-60
N8	VENT	5/8" x 1 1/2" LG CAPSCREWS c/w (1) NUT EACH	4	CS
C1	GLYCOL IN	1" 3000# NPT FULL CPLG	1	SA-105N
C2	REFLUX COIL	1" SCH 80 SMLS PIPE x 1'-0" LG	1	SA-106B
C3	VENT	1" 3000# NPT FULL CPLG	2	SA-105N
C4	SPARGER	1" 3000# NPT FULL CPLG	1	SA-105N
C5	SAMPLE	1" 3000# NPT FULL CPLG	1	SA-105N

- NOTES:**
- REFER TO DWG #B7113-640 SHIT 1 OF 3 FOR GENERAL ASSEMBLY.
  - FLAMECELL HOUSING IS NON-REMOVABLE.
  - FLAMECELL IS NON-REMOVABLE.
  - HEATER TO HAVE RIGHT HAND CONTROLS WHEN VIEWED FROM FLAMECELL END.
  - REFER TO DWG #B7113-640 SHIT 3 OF 3 FOR BURNER DETAILS.

CUSTOMER	TRIDENT EXPLORATION LTD.	DWG NO.	B7113-60
PRODUCT	DEHYDRATION PACKAGE / CBM COMPRESSOR STATION		
TITLE	GR-750 (750,000 BTU/HR) GLYCOL RECONCENTRATOR DETAILS		
DATE	04/09/17	DWG NUMBER	B7113-640 SHIT 2 OF 3
CHECKED	APPROVED	SCALE	1"=1'-0"
DESIGN	TP		

**Presson**  
ENERFLEX

CUSTOMER REFERENCE	T.B.A.
NO.	
REASON	
BR	
CHKD.	
DWT	
ISSUED FOR APPROVAL	TP
ISSUED FOR CONSTRUCTION	RWM
	04/10/04
	04/09/17

