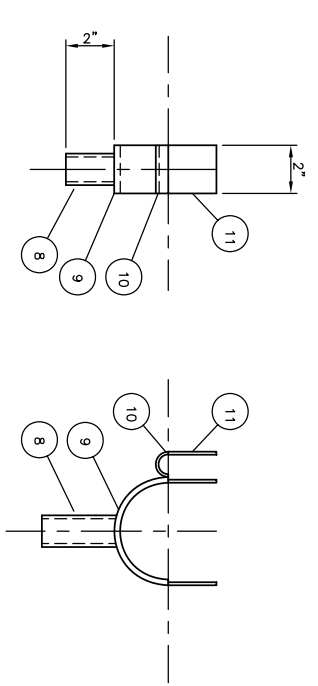
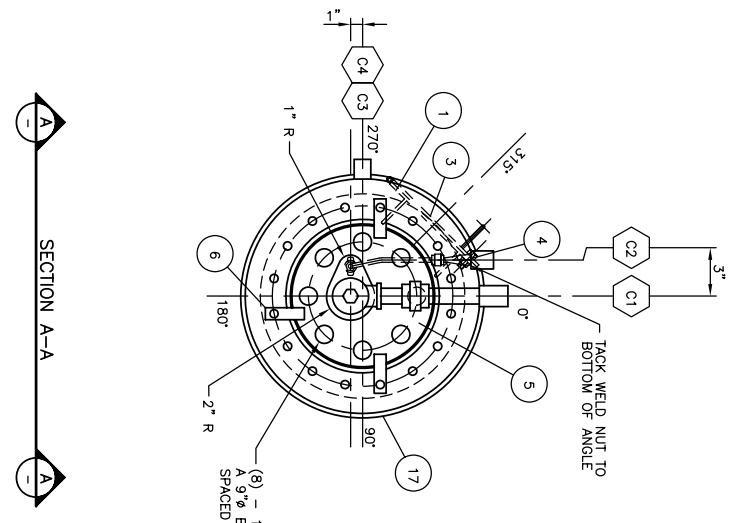
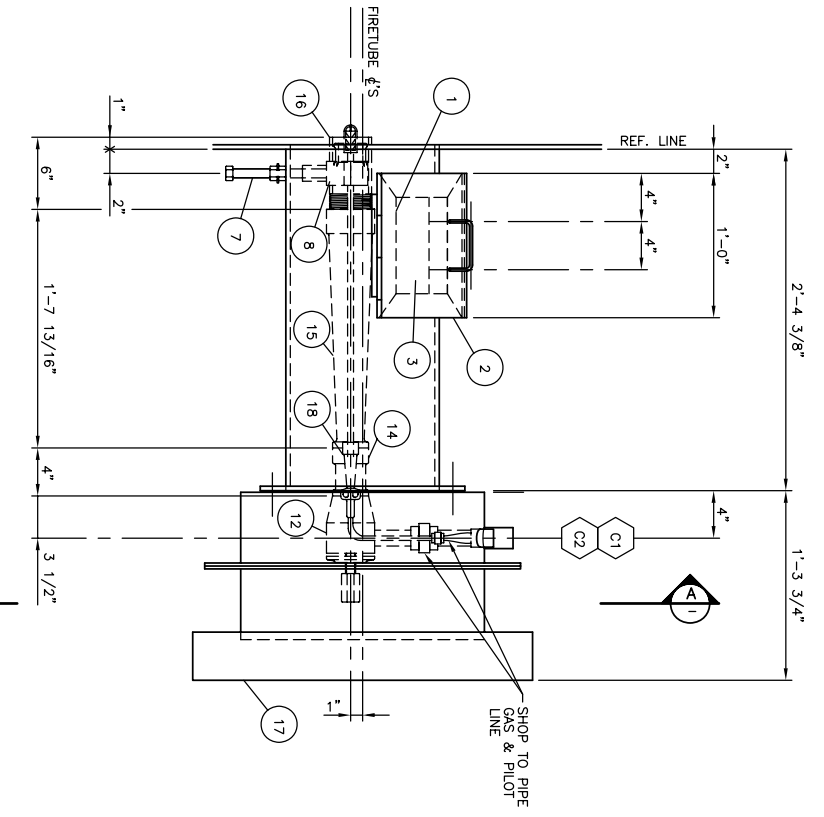


BILL OF MATERIALS

MARK	PART	DESCRIPTION	QTY.	MATERIAL
	1	MAINTENANCE DOOR	2	SAG40.21.44W
	2	MAINTENANCE DOOR	2	SAG40.21.44W
	3	MAINTENANCE DOOR	1	SAG40.21.44W
	4	MAINTENANCE DOOR	2	CS
	5	DAMPER PLATE	3	SAG40.21.44W
	6	DAMPER PL. SUPP.	3	SAG40.21.44W
	7	JACKING SCREW	1	CS
	8	NOZZLE SUPPORT	1	SA-106B
	9	NOZZLE SUPPORT	1	SA-106B
	10	NOZZLE SUPPORT	1	SA-106B
	11	NOZZLE SUPPORT	3	SAG40.21.44W
	12	MIXER	1	
	13	ORIFICE	1	
	14	COMPOUND SLEEVE	1	
	15	VENTURI BARREL	1	
	16	FERROFLEX NOZZLE	1	
	17	ENARGO FLAME BOX	1	ALUMINIUM
	18	PILOT	1	

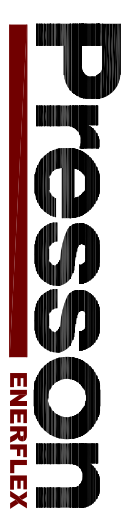


**NOZZLE SUPPORT DETAIL**

- NOTES:**
- 1) REFER TO DWG NO. B7113-340 FOR GENERAL ASSEMBLY.
  - 2) REFER TO DWG NO. B7113-640 SHT. 2 OF 3 FOR FIRETUBE DETAILS.
  - 3) FLAMECELL HOUSING IS REMOVABLE.
  - 4) FLAMECELL IS REMOVABLE.
  - 5) REBOLLER SHOWN AS LEFT HAND CONTROL WHEN VIEWED FROM FLAMECELL END.

NO.	REASON	BY	CHKD.	DWG DATE
A	ISSUED FOR APPROVAL	TBB		04/09/17

CUSTOMER REFERENCE: T.B.A.



CUSTOMER	JOB NO.
TRIDENT EXPLORATION LTD.	B7113-04

PROJECT: DEHYDRATION PACKAGE / CBM COMPRESSOR STATION  
LSD T.B.A.

TITLE: BURNER DETAILS  
12 3/4" Ø GLYCOL RECONCENTRATOR FIRETUBE

DRAWN	CHECKED	APPROVED	SCALE	DWG DATE	DRAWING NUMBER
TBB			1/2"=1'-0"	04/09/17	B7113-640 SHT. 3 OF 3