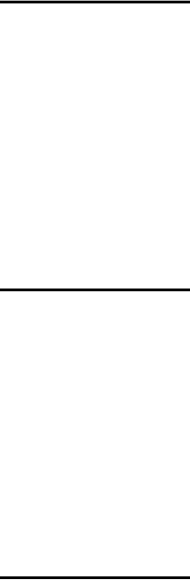
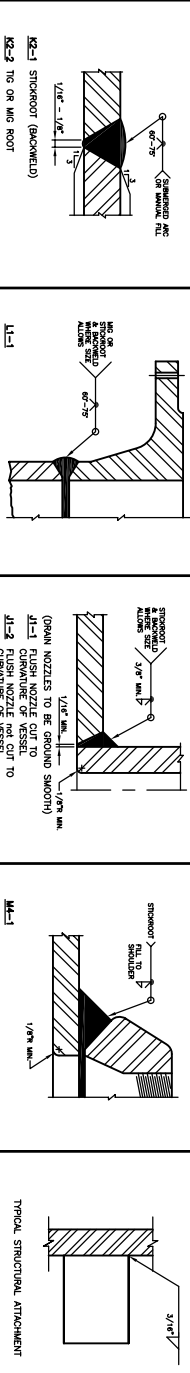
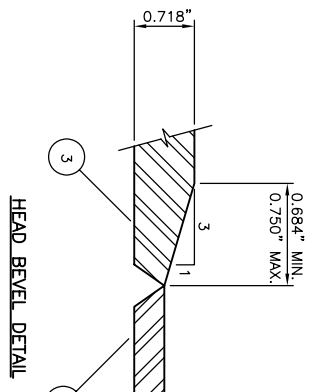
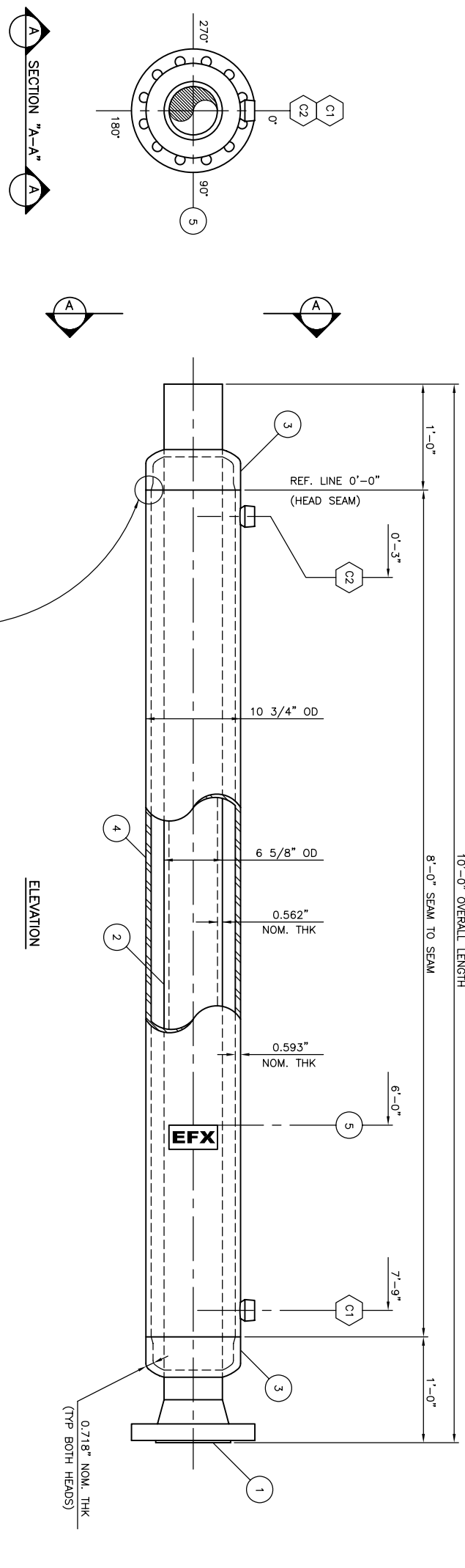


THIS DRAWING IS THE EXCLUSIVE PROPERTY OF PRESSON ENERFLEX AND MAY NOT BE COPIED OR COMMUNICATED TO A THIRD PARTY WITHOUT THE WRITTEN AUTHORIZATION OF PRESSON ENERFLEX.



BILL OF MATERIALS					
MARK	PART	DESCRIPTION	QTY	MATERIAL	WELD STA
1	TUBE FLANGE	6" 600# SCH XH RFWN FLANGE	1	SA-105N	L1-1
2	TUBE BODY	6" SCH 120 SMLS PIPE x 9'-7 1/8" LG	1	SA-105B	J1-2
3	SHELL HEAD	10" SCH 100 WELD CAP	2	SA-234MPB	K2-2
4	SHELL BODY	10" SCH 80 SMLS PIPE x 8'-0" LG	1	SA-105B	
5	NAME PLATE	STANDARD SMALL NAME PLATE c/w "T" BRACKET	1	SA640/2144W	
C1	SHELL IN	1" 6000# NPT TOL	1	SA-105N	M4-1
C2	SHELL OUT	1" 6000# NPT TOL	1	SA-105N	M4-1



- NOTES:**
- (1) CVT EXEMPT PER PAR 333.2.2.
 - (2) SEAL WELD ALL INTERNAL ATTACHMENTS WHERE ACCESSIBLE.
 - (3) VESSEL EXTERIOR TO BE SANDBLASTED PER SSPC-SP6.
 - (4) SANDBLASTING SHALL NOT BE CONDUCTED ON SURFACES THAT ARE LESS THAN 3\"/>

DESIGN SCHEDULE	
CONDITION	TUBESIDE
DESIGN PRESSURE	1415 PSI (9756 kPa)
DESIGN TEMPERATURE	150°F (66°C)
M.D.M.T.	-29°C @ 9756 kPa / -20°F @ 1415 PSI
TEST PRESSURE	2123 PSI (14638 kPa)
CORROSION ALLOWANCE	0.0625" (1.6 mm)
HEAD THK (NOM.)	N/A
HEAD THK (MIN.)	0.562" (14.3 mm)
BODY THK (NOM.)	0.492" (12.5 mm)
BODY THK (MIN.)	0.519" (13.2 mm)
EFFECTIVE AREA	15.1 ft ² (1.40 m ²)

DESIGN SCHEDULE	
CONDITION	SHELLSIDE
DESIGN PRESSURE	1415 PSI (9756 kPa)
DESIGN TEMPERATURE	150°F (66°C)
M.D.M.T.	-29°C @ 9756 kPa / -20°F @ 1415 PSI
TEST PRESSURE	2123 PSI (14638 kPa)
CORROSION ALLOWANCE	NONE
HEAD THK (NOM.)	0.718" (18.2 mm)
HEAD THK (MIN.)	0.628" (15.9 mm)
BODY THK (NOM.)	0.593" (15.0 mm)
BODY THK (MIN.)	0.519" (13.2 mm)
EFFECTIVE AREA	N/A

GENERAL NOTES	
1. WELDING PROCEDURES: WP-719.2	
2. QUALITY CONTROL PROGRAM: AQP-1077	
3. REFERENCE DRAWING NUMBER: STD. 2000 (WELD STANDARDS)	
4. ALL BOLT HOLES TO STRADDLE CENTRE LINES	
5. SERIAL NUMBER: B7113-70	
6. SERVICE: TUBESIDE: SWEET GAS SHELLSIDE: GYCOL	
7. LONG SEAM WPS: NONE	CIRC. SEAM WPS: PM-108
8. PRE-HEAT TO: 70°F (21°C) MIN.	IMPACT TESTS: SEE NOTE #12
9. SURFACE PREP: INT.: NONE	EXT.: SEE NOTES #14 & #15
10. SURFACE FINISH EXT.: (1) COAT VALSPAR ZINC CHROMATE PRIMER	EXT.: (1) COAT VALSPAR WARM GRAY ENAMEL
11. INSULATION: NONE	

DESIGN DATA	
CODE: ASME B31.3 PIPING CODE	2002 EDITION
DESIGN PRESS: SEE PSIG (CHART #Psg) DESIGN TEMP: °F (°C)	
MIN. DESIGN METAL TEMP: °F (°C)	
M.A.W.P. @ MAX. TEMP: °F (°C)	
M.A.W.P. NEW & COLD: °F (°C)	
HYDROSTATIC TEST PRESSURE: SEE PSIG (CHART #Psg)	
CORROSION ALLOW: SEE " (CHART #mm), P.W.H.T. NONE	
RADIOGRAPHY: 10%	
HEAD THK NOM. SEE " (CHART #mm), MIN. " (mm)	
SHELL THK NOM. SEE " (CHART #mm), MIN. " (mm)	
VOLUME 0.12 cu. ft. (4.35 cu. m)	
WEIGHT EMPTY 494 lbs (224 kg)	
WEIGHT FULL OF WATER 617 lbs (280 kg)	

CUSTOMER	TRIDENT EXPLORATION LTD.	JOB NO.	B7113-70
CUSTOMER REF. NO.	T.B.A.		
PROJECT	DEHYDRATION PACKAGE / CBM COMPRESSOR STATION		
	LSD T.B.A.		
TITLE	DOUBLE PIPE HEAT EXCHANGER		
	6 5/8" OD / 10 3/4" OD x 10'-0" O/A LENGTH		
	168.3 MM OD / 273 mm OD x 3048 mm O/A LENGTH		
DRAWN	TP	CHECKED	APPROVED
			SCALE 1 1/2" = 1'-0"
			DATE 04/09/17
			DRAWING NUMBER B7113-740 SHT. 1 OF 1

