

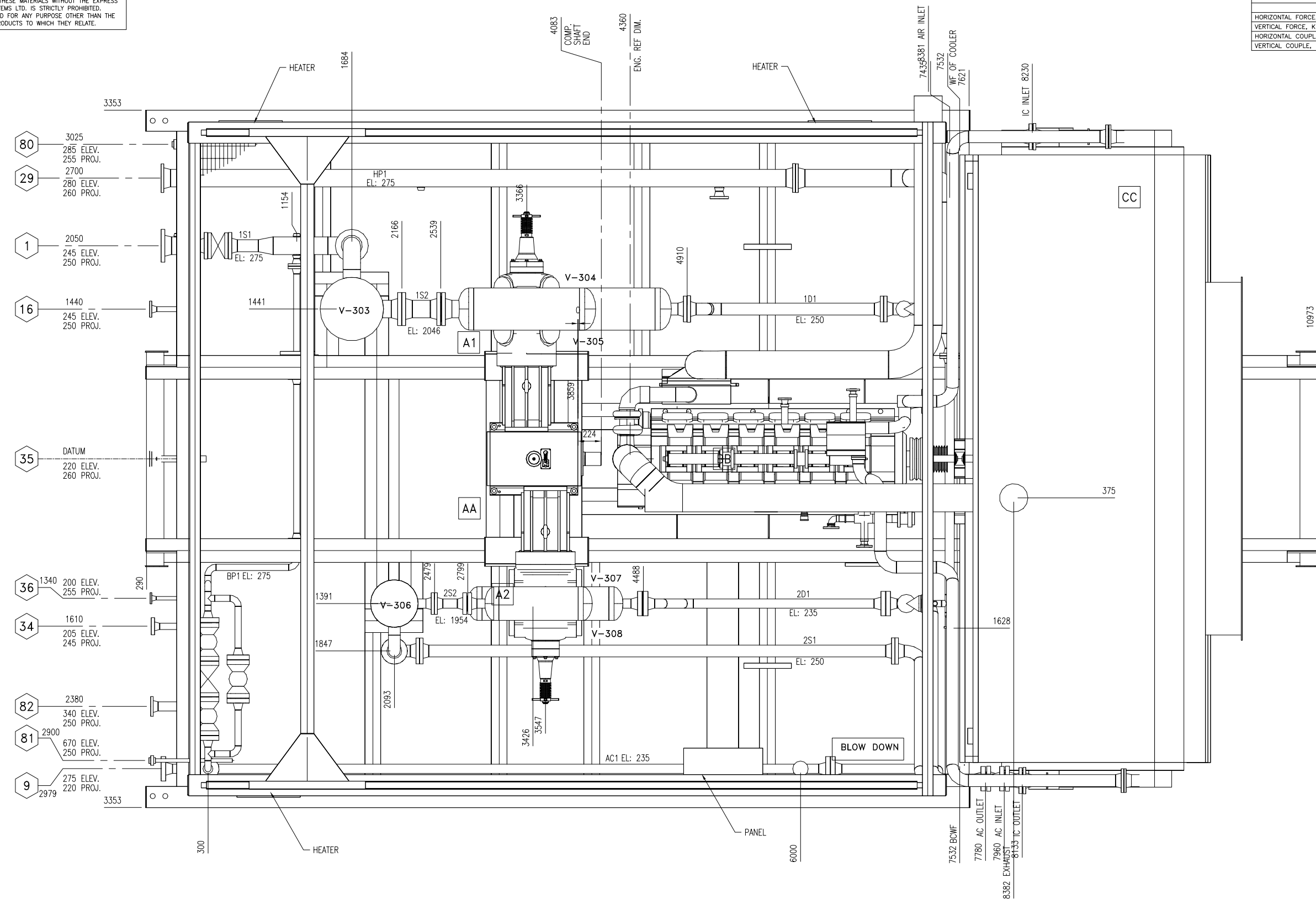
ENERFLEX

DRAWINGS



© 2004 Enerflex Systems Ltd.
 REPRODUCTION OF ANY PORTION OF THESE MATERIALS WITHOUT THE EXPRESS WRITTEN CONSENT OF ENERFLEX SYSTEMS LTD. IS STRICTLY PROHIBITED. THESE MATERIALS SHALL NOT BE USED FOR ANY PURPOSE OTHER THAN THE REPAIR AND MAINTENANCE OF THE PRODUCTS TO WHICH THEY RELATE.

COMPRESSOR UNBALANCED FORCES @ 1200 RPM		
	PRIMARY	SECONDARY
HORIZONTAL FORCE, KIP	0.281	0.056
VERTICAL FORCE, KIP	0.000	0.000
HORIZONTAL COUPLE, KIP-FT	12.207	4.961
VERTICAL COUPLE, KIP-FT	12.597	0.000



NO.	DESCRIPTION	SIZE
1	PROCESS INLET	6"-300#RF
9	FINAL DISCHARGE	3"-900#RF
16	SCRUBBER DRAIN HEADER	1-1/2"-300#RF
29	VENT HEADER	6"-150#RF
34	START GAS	2"-600#RF
35	FUEL GAS	2"-150#RF
36	INSTRUMENT AIR	1"-150#RF
OTHER CONNECTIONS		
80	LUBE OIL FILL	1" NPT
81	LUBE OIL FILL	1" NPT
82	START/FUEL EXHAUST	3"-150#RF

MAJOR COMPONENTS & SHIPPING WEIGHTS			
		KG.	LBS.
BB	ENGINE	6855	15400
AA	COMPRESSOR		
	(1) ARIEL JGK/2	1950	4300
A1	(1) 11" K" 845 PSIG	1285	2831
A2	(1) 6-1/4" K" 2050PSIG	1003	2212
CC	COOLER	8119	17900
	(1) AIR-X HEMPHILL 132EF		
C1	(1) EJW 14 PSI @ 300°F		
C2	(1) AUX 14 PSI @ 300°F		
C3	(1) IC 655 PSI @ 300°F		
C4	(1) AC 1450 PSI @ 350°F		
C5	(1) FINAL DISCHARGE SECT		
GG	CONTROL PANEL		
	(1) ESL, PNEUMATIC/ELECTRIC	680	1500
SKID		22977	50654
MISC. & LIQUIDS		4500	9921
BUILDING		3000	6613
CRANE		2000	4409
	TOTAL SHIPPING WT.	57154	126000
	SHIPPED LOOSE ITEMS	0	0
	TOTAL UNIT WEIGHT	57154	126000

GENERAL NOTES

- THIS DRAWING IS NOT TO BE USED FOR CONSTRUCTION UNLESS STAMPED "RELEASED FOR MANUFACTURE".
- DO NOT SCALE THIS DRAWING.
- ALL DIMENSIONS ARE IN MILLIMETERS.
- FOR DESIGN PARAMETERS AND PAINT SPECIFICATION REFER TO PROJECT SCOPE SUMMARY DRAWING NO.SS040575
- ALL PIPING MUST BE SELF SUPPORTING BEYOND UNIT CONNECTIONS.
- LOCATIONS OF CUSTOMER CONNECTIONS ARE NOT GUARANTEED AS THESE DIMENSIONS MAY BE SUBJECT TO AN ACCUMULATION OF TOLERANCES ON SEVERAL COMPONENTS. MINOR CHANGES MAY ALSO BE MADE ON SCREWED SERVICE PIPING IN ORDER TO FACILITATE INSTALLATION AND MAINTENANCE. ON COMPLETION A FINAL DRAWING WILL BE ISSUED WITH FIELD CONNECTIONS CORRECTED TO 5 mm.
- IT IS ESL'S RECOMMENDATION THAT ANY PRE-SPOOLING TO THIS COMPRESSOR PACKAGE CONTAIN FIELD WELDS AT ALL CUSTOMER CONNECTIONS.
- DIMENSIONS INDICATED (*) SHALL BE CONFIRMED AND CERTIFIED CORRECT (**) ON A FINAL REVISION.
- THE FOLLOWING ITEMS WILL BE SHIPPED LOOSE FOR FIELD INSTALLATION BY OTHERS:

UNIT DIMENSIONS	LENGTH		WIDTH		HEIGHT	
	mm	ft/in	mm	ft/in	mm	ft/in
MAIN SKID w/ ALL EQUIP. MOUNTED	11263	37'-0"	6706	22'-0"	5786	19'-0"
SHIPPING DIMENSIONS	11263	37'-0"	6706	22'-0"	5786	19'-0"
COOLER	3124	10'-3"	3223	10'-7"	3875	12'-9"
REV	DESCRIPTION	DATE	DRAWN BY	CHECKED BY		
3	ASBUILT	04/09/29	REG			
2	ADDED UNBALANCED FORCES	04/09/15	SHW			
1	FOR CONSTRUCTION	04/09/03	SHW			
0	PRELIMINARY	04/08/25	SHW			

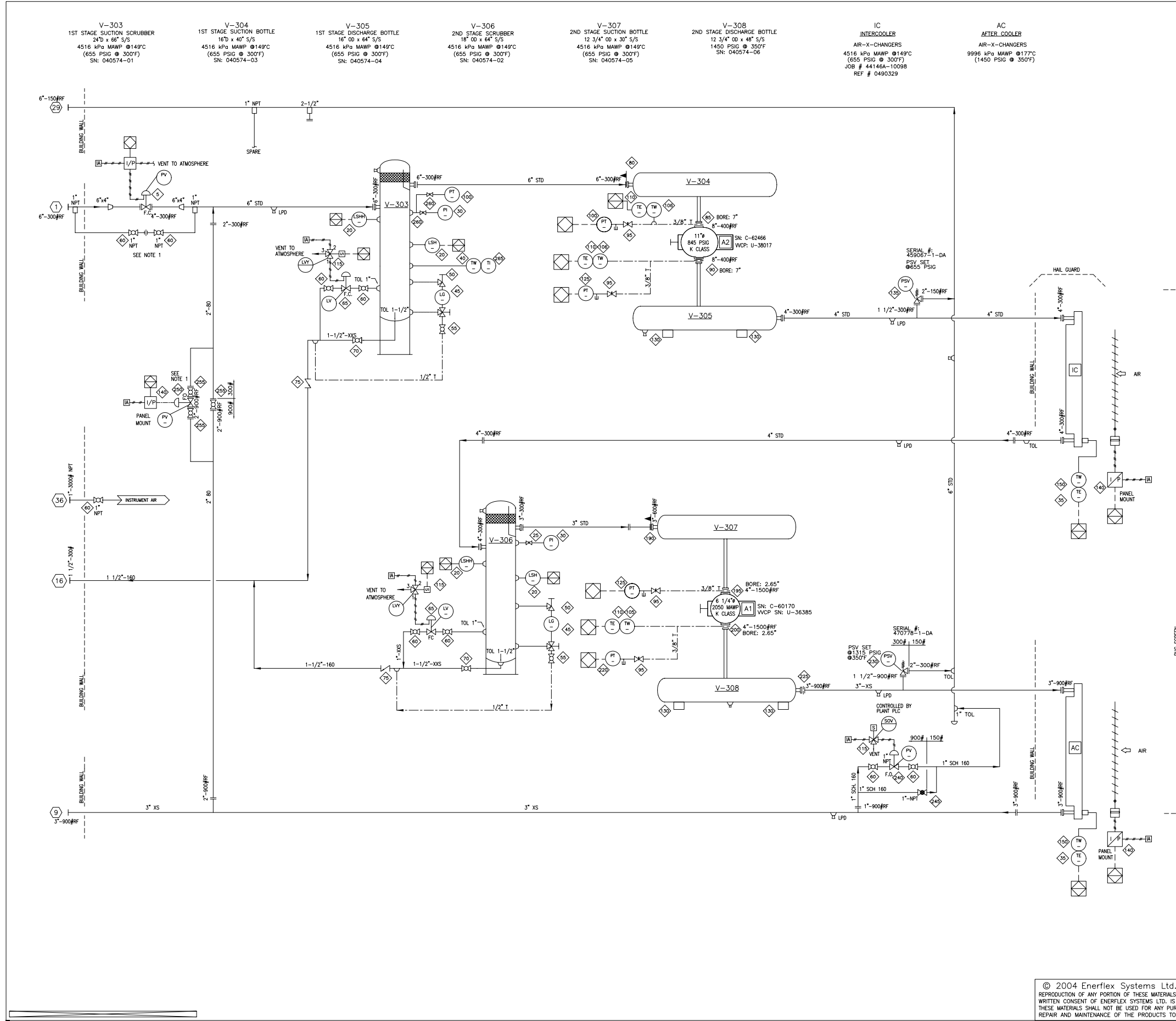
EFX Compression
 4700 47 Street SE Calgary AB Canada T2B 3R1 Canada Tel. +1.403.236.6800 Fax +1.403.279.0367
 www.enerflex.com

TITLE: GENERAL ARRANGEMENT
 ARIEL JGK/2 COMP. WAUK. 3521GL ENGINE AIR-X 132EH COOLER COMPRESSOR PACKAGE

FOR: FORT ENERGY

CONSULTANT: LSD: 15-10-62-6 W5M
 P.O.: JOB No.: 040575

DRWN BY: SHW	DESIGN BY: SHW	DATE: 04/08/25	DWG. No.	OP#
DATE: 04/08/25	CHKD BY:	DATE:	GA040575	10
SCALE: 1:20	APPVD BY:	DATE:		



BILL OF MATERIAL			
ITEM	QTY	EFX CODE	DESCRIPTION
5	1	122821	4" 300 FISHER 1051-V200 CONTROL VALVE W/ FISHER FIELDWAVE DVC6020HC
20	4	100335	SWITCH, LEVEL, 2" NPT, CSA, SOUR C/W 316SS FLOAT [LINC, L471-11]
25	1	113314	VALVE, NEEDLE, 3/4" MNPT X 1/2" FNPT, 316SS, NACE, [CENTURY, CM2-1-M64T-DN-T]
30	2	107929	GAUGE, PRESSURE, BM, 4" LF, 0-600 PSI DUAL, 1/2" NPT [WKA, 233.54]
35	2	123380	THERMOCOUPLE - K-250-316-S-010.0-B-82X-YM4-072.0
40	2	114391	THERMOWELL, 316SS, 1/2" X 3/4" NPTM X 6" LONG, U=4.5", .260" BORE, TAPERED
45	2	103659	GAUGE, LEVEL, CS WITH REFLEX FLAT GLASS, 1820# [DANIEL, 71RL]
50	2	103693	VALVE, SET GAUGE, SWEET, 1/2" FNPT X 3/4" MNPT, CS, 3470# [DANIEL, 1S]
55	2	118855	VALVE, BALL, 1/2" NPT, 3000# WOG, FP, CS, ANTI-STATIC [NUTRON, T3-F05530SL23]
60	9	112801	VALVE, BALL, 1" NPT, 3000# WOG, RP, CS C/W LOCKING HANDLE [NUTRON, T3-R105308]
65	2	104854	DUMP VALVE - FISHER FLOPRO, D2
70	2	112861	VALVE, BALL, 1-1/2" NPT, 3000# WOG, FP, CS C/W LOCKING [NUTRON, T3-F155308]
75	2	109946	VALVE, CHECK, PISTON, 1-1/2" NPT, 800# WOG, CS [NAVCO, CP-R1550848]
80	1	104255	STRAINER, CONE, 6" 300# CS, 40 MESH, 150% FLOW AREA
85	1	105582	**ORIFICE PLATE, TYPE 520, 316LSS, 1/8" THK, 8" 400#
90	1	105582	**ORIFICE PLATE, TYPE 520, 316LSS, 1/8" THK, 8" 400#
95	4	102809	VALVE, NEEDLE, 3/8" TUBE, 316SS [WHITNEY, SS-1V56]
100	2	107992	TRANSMITTER, PRESSURE, 0-300 PSIG, SWEET, 1/4" NPT [WKA, 892.13.500]
105	1	114198C	TWELL, 316LSS, 1/8" X 1/2" MNPT, 1/4" FNPT PRESSURE PORT, U=2.625", 1650 MAMP
106	1	123378	TWELL, 316LSS, 1/8" X 1/2" MNPT, 1/4" FNPT PRESS/TEMP PORT, U=6.5", 1650 MAMP
110	3	123377	K-125-316-S-010.0-B-82X-YM1-072.0
115	3	NPN-REQ	SOLENOID SUPPLIED BY OTHERS
125	2	107993	TRANSMITTER, PRESSURE, 0-600 PSIG, SWEET, 1/4" NPT [WKA, 892.23.510]
130	4	100712	ASSEMBLY, BOTTLE WEDGE SUPPORT FABRICATED BY ENERFLEX AS PER DRAWING
135	1	123381	PSV - 26FA12-120 FARRIS RELIEF SET AT 655PSI/300F
140	3	NPN-REQ	I/P - SUPPLIED BY OTHERS
150	2	118702	THERMOWELL, 304SS, 1/2" X 1" NPTM X 6" LONG, U=4-1/2", .260" BORE, STEPPED
190	1	104272	STRAINER, CONE, 3" 600# CS, 40 MESH, 100% FLOW AREA
195	1	105383	**ORIFICE PLATE, TYPE 520, 316LSS, 1/8" THK, 4" 1500# RF
200	1	105383	**ORIFICE PLATE, TYPE 520, 316LSS, 1/8" THK, 4" 1500# RF
220	1	107989	TRANSMITTER, PRESSURE, 0-1500 PSIG, SWEET, 1/4" NPT [WKA, 892.23.510]
225	1	105266	**ORIFICE PLATE, TYPE 520, 316LSS, 1/8" THK, 3" 900# RF
230	1	123382	PSV - 26EA14-120 FARRIS RELIEF SET AT 1450 PSI/300F
240	1	122773	BLOWDOWN VALVE - FISHER D2 CONTROL VALVE
245	1	109985	VALVE, GLOBE, 1" NPT, 800# WOG, CS [NAVCO, GL-R1050848]
250	1	118873	BYPASS VALVE - 2" 900RF FISHER D4 CONTROL VALVE
255	3	102959	VALVE, BALL, 2" 9/1500# RF, RP, CS C/W HANDLE [NUTRON, T3-R20R15B]
260	2	108014	VALVE, NEEDLE, 1/2" MNPT X 1/2" FNPT, CS, A108,TEFLON [CENTURY, CM2-3-M44T-DN-T]
265	1	107957	GAUGE, TEMP, 3" DIAL, 4" STEM, 50-500 DEG.F DUAL, 1/2" NPT [TREND, 30040]

BILL OF MATERIAL: W 040574-30 : ?-PROCESS MODULE, 2 STAGE, SWEET			
DATE-TIME EXPORTED: 2004-08-25-09.03			

REV	DESCRIPTION	DATE	DRAWN BY	CHECKED BY
2	AS BUILT	04/10/27	SMB	DB
1	ISSUED FOR CONSTRUCTION	04/08/30	SMB	DB
0	ISSUED FOR APPROVAL	04/08/24	ARJ	DB

EFX Compression

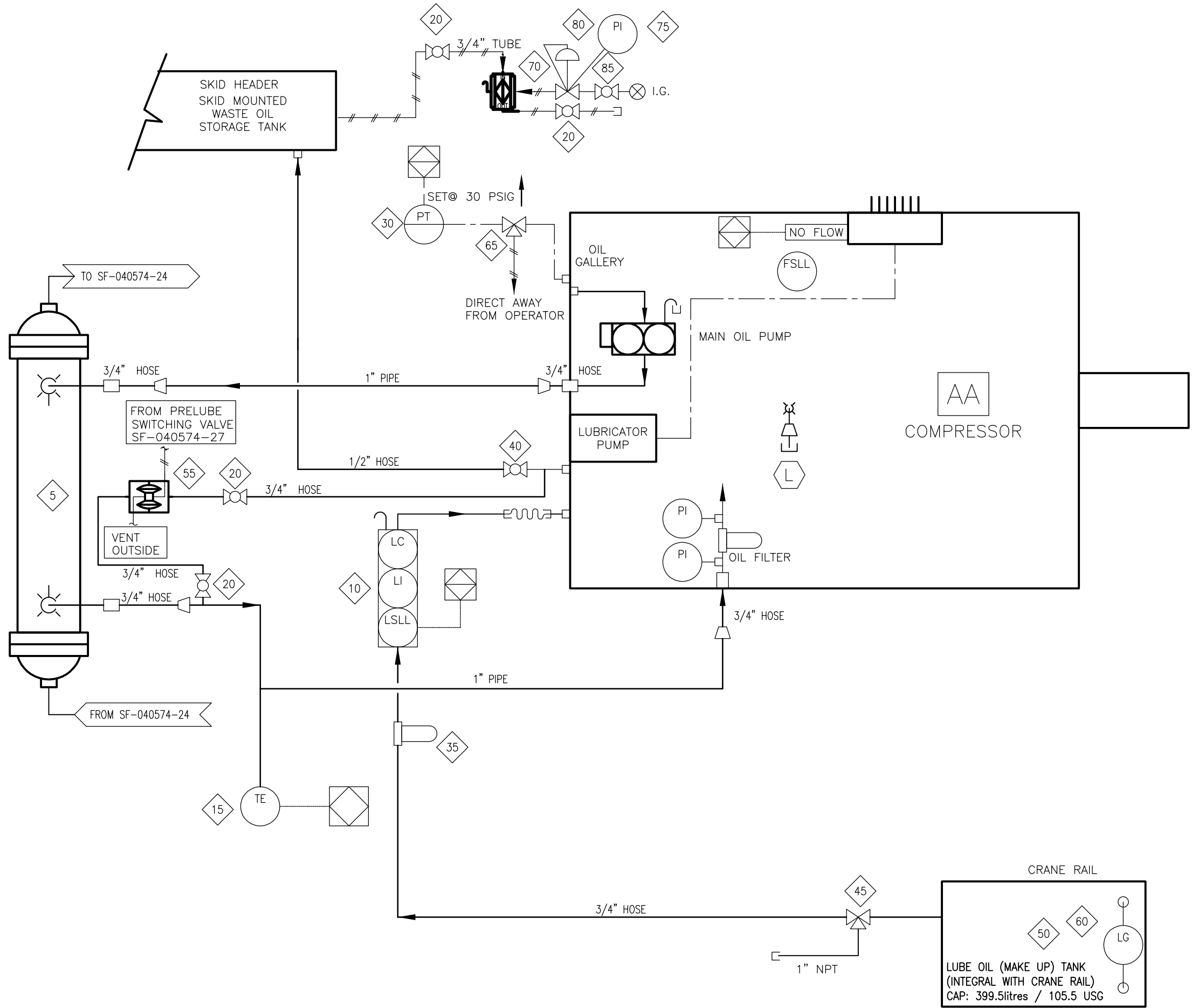
ENERFLEX

4700 47 Street SE Calgary AB Canada T2B 3R1 Canada Tel. +1.403.236.6800 Fax +1.403.279.0367
www.enerflex.com

TITLE: PROCESS & INSTRUMENTATION DIAGRAM
ARIEL JGK/2, WAUKESHA 3521GL, AIR-X 132EH
1-2 STAGE SOUR COMPRESSOR PACKAGE

© 2004 Enerflex Systems Ltd.
REPRODUCTION OF ANY PORTION OF THESE MATERIALS WITHOUT THE EXPRESS WRITTEN CONSENT OF ENERFLEX SYSTEMS LTD. IS STRICTLY PROHIBITED. THESE MATERIALS SHALL NOT BE USED FOR ANY PURPOSE OTHER THAN THE REPAIR AND MAINTENANCE OF THE PRODUCTS TO WHICH THEY RELATE.

FOR:	CONSUANT:	LSD-15-10-62-6 W5M JOB No.: 040574
DATE:	DATE:	DWG. No.
SCALE:	DATE:	PF-040574-50
	DATE:	OP #
	DATE:	50



BILL OF MATERIAL

ITEM	QTY	EFX CODE	DESCRIPTION
5	1	104966	COOLER, LUBE OIL [THERMAL TRANSFER, EK-1024-0]
10	1	107966	CONTROLLER, OIL LEVEL C/W ELECTRIC SWITCH, XP, CSA & BRACKET [KENCO, LCE-24]
15	1	NPN	THERMOCOUPLE, K-250-316-S-010.0-B-82X-YM4-072.0
20	4	102973	VALVE, BALL, 3/4" NPT, 2000# WOG, RP, 316SS, NACE C/W [NAVCO, C1-R07S20A]
30	1	112325	TRANSMITTER, PRESSURE, 0-160 PSIG, SWEET, 1/4" NPT [WIKA, 892.13.500]
35	1	121735	FILTER, ASSEMBLY, OIL, 1/2" NPT, 25 MICRON C/W SF-6510 [KINECOR, SAF-05-00-0]
40	1	102949	VALVE, BALL, 1/2" NPT, 2000# WOG, RP, 316SS, NACE C/W [NAVCO, C1-R05S20A]
45	1	120116	VALVE, BALL, 3-WAY, 1" NPT, FULL SS, 800 PSI [APOLLO, 76-605-01]
50	1	119339	ASSEMBLY, COMPRESSOR OIL, COMPLETION, A1478
55	1	107477	PUMP, DIAPHRAGM, 1/2" NPT, ALUMINUM, BUNA, #01-10001 [WILDEN, T1/AYYB/BN/BN/ABN]
60	1	115052	INDICATOR, LEVEL, SIGHT GLASS WINDOW, 10" BOLT CENTERS, [MP FILTRI, LVA 30 TA]
65	1	116812	VALVE, BALL, 3-WAY, 1/4" TUBE, 316SS, .125" ORIFICE [WHITEY, SS-42XS4]
70	1	121741	PUMP, DIAPHRAGM, 1/2" NPT, ALUM, SWEET GAS, CSA [WARREN RUPP, G05B1ABTXNSX00]
75	1	107894	GAUGE, PRESSURE, CBM, 2" DRY, 0-200 PSI DUAL, 1/4" NPT [WIKA, 111.10]
80	1	104872	REGULATOR, 1/4" NPT, ALUM., 0-125#, TAPPED (W/O PI) [FISHER, 67CFR-601/SPEC]
85	1	102950	VALVE, BALL, 1/4" NPT, 2000# WOG, RP, 316SS, NACE C/W [NAVCO, C1-R02S20A]

BILL OF MATERIAL: W 040574-53 : COMPRESSOR OIL
 DATE-TIME EXPORTED: 2004-08-24-10.28

FRAME	JGK/2
FRAME CRANKCASE VOLUME	57 L
OIL FLOWRATE	53 L/min.

REV	DESCRIPTION	DATE	DRAWN BY	CHECKED BY
4	REVISED TO SHOW CRANE TANK CAPACITY	05/08/16	DLL	
3	REVISED VENT TO OUTSIDE AND AS BUILT	04/11/09	MGN	DB
2	AS BUILT	04/10/26	SMB/ARJ	DB
1	FOR CONSTRUCTION	04/08/30	SMB	DB
0	FOR APPROVAL	04/08/23	MGN	DB

EFX Compression

4700 47 Street SE Calgary AB Canada T2B 3R1 Canada Tel. +1.403.236.6800 Fax +1.403.279.0367
 www.enerflex.com

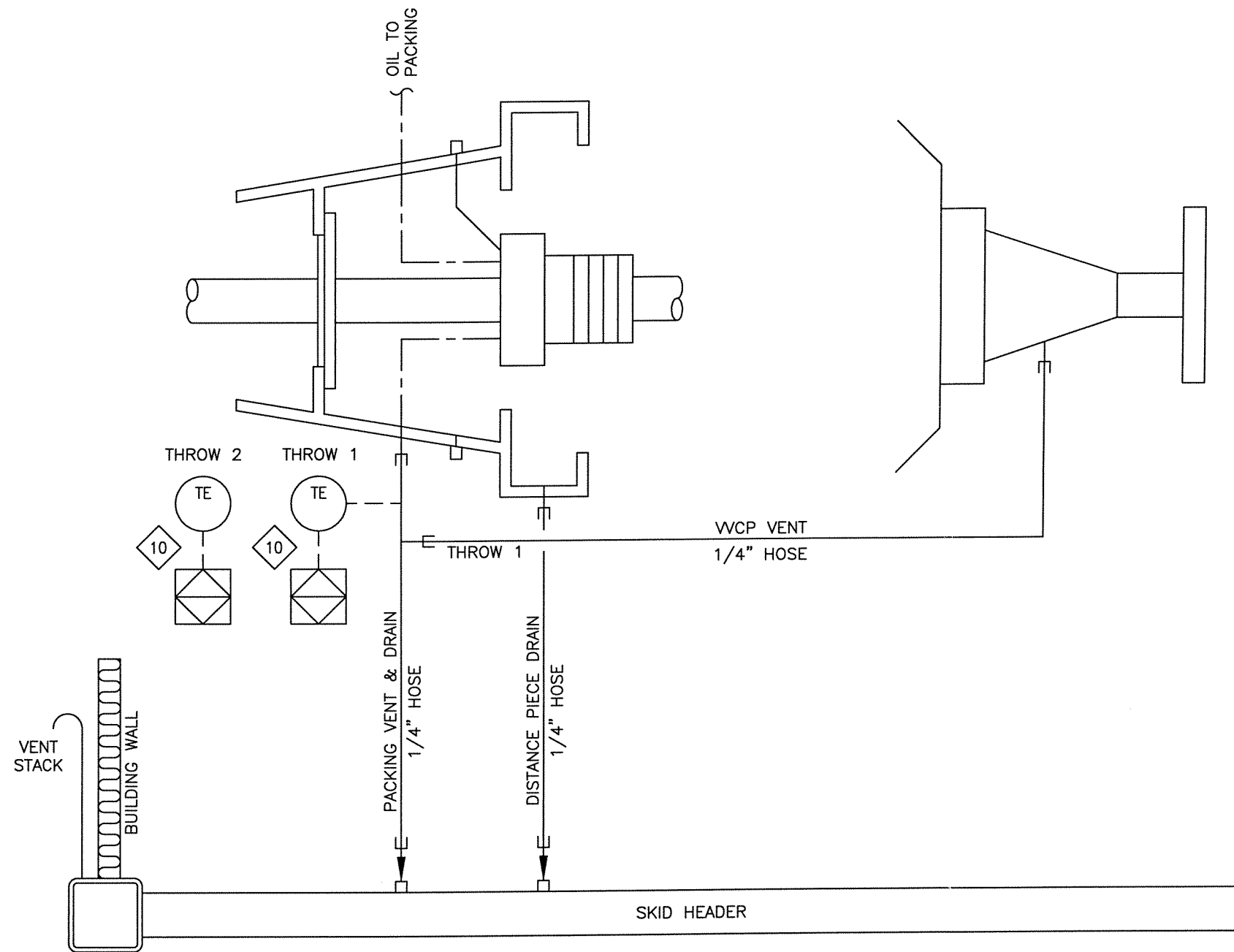
TITLE: COMPRESSOR OIL SYSTEM
 ARIEL JGK/2
 COMPRESSOR PACKAGE

FOR: FORT ENERGY

CONSULTANT: P.O.:
 LSD: JOB No.: 040574

DRWN BY: MGN	DESIGN BY:	DATE:	DWG. No.	OP#
DATE: 03/07/03	CHKD BY:	DATE:	SF-040574-20	20
SCALE: NTS	APPVD BY:	DATE:		

© 2004 Enerflex Systems Ltd.
 REPRODUCTION OF ANY PORTION OF THESE MATERIALS WITHOUT THE EXPRESS WRITTEN CONSENT OF ENERFLEX SYSTEMS LTD. IS STRICTLY PROHIBITED. THESE MATERIALS SHALL NOT BE USED FOR ANY PURPOSE OTHER THAN THE REPAIR AND MAINTENANCE OF THE PRODUCTS TO WHICH THEY RELATE.



BILL OF MATERIAL

ITEM	QTY	EFX CODE	DESCRIPTION
10	2	NPN	THERMOCOUPLE, K-250-316-S-010.0-B-82X-YM4-072.0.

			BILL OF MATERIAL: W 040575-52 : 0 PPM H2S

AS-BUILT
 DATE NOV 05 2004

OPERATION NOTES

1. SITE INSTALLATION AND START UP MINIMUM REQUIREMENTS PER EFX SPECS 905-1 TO 905-7 MUST BE FOLLOWED.

REV	DESCRIPTION	DATE	DRAWN BY	CHECKED BY
2	AS BUILT	04/10/26	SMB/ARJ	DB
1	FOR CONSTRUCTION	04/08/30	SMB	DB
0	FOR APPROVAL	04/08/24	MGN	DB

EFX Compression
ENERFLEX

4700 47 Street SE Calgary AB Canada T2B 3R1 Canada Tel. +1.403.236.6800 Fax +1.403.279.0367
 www.enerflex.com

TITLE: STANDARD PACKING VENT & DRAIN
 ARIEL JGK/2
 COMPRESSOR PACKAGE

FOR: FORT ENERGY

CONSULTANT: P.O.:
 LSD: JOB No.: 040574

© 2004 Enerflex Systems Ltd.
 REPRODUCTION OF ANY PORTION OF THESE MATERIALS WITHOUT THE EXPRESS WRITTEN CONSENT OF ENERFLEX SYSTEMS LTD. IS STRICTLY PROHIBITED. THESE MATERIALS SHALL NOT BE USED FOR ANY PURPOSE OTHER THAN THE REPAIR AND MAINTENANCE OF THE PRODUCTS TO WHICH THEY RELATE.

DRWN BY: MGN	DESIGN BY:	DATE:	DWG. No.	OP#
DATE: 04/08/23	CHKD BY:	DATE:	SF-040574-21	21
SCALE: NTS	APPVD BY: DG	DATE: 09/11/03		

BILL OF MATERIAL

ITEM	QTY	EFX CODE	DESCRIPTION
5	2	102933	VALVE, BALL, 1-1/2" NPT, 3000# WOG, RP, 316SS, NACE C/W [NAVCO, C1-R15S20A]
10	1	102830	STRAINER, Y, 1-1/2" NPT, 1480 PSIG MAMP, CS, 1/32" SS SCREEN [ALTA, YS-600]
15	1	120119	VALVE, PSV, 1-1/2" MNPT X 2-1/4" FNPT, .573 OR,NACE I [FARRIS, 27GA46-M20]
20	2	104864	REGULATOR, 1" NPT, DI, 3/8" OR, 70-150#SPR RNG,SET@150 PSIG [FISHER, 627-495/D1]
25	1	103762	VALVE, RELAY, GAS, 1-1/2" NPT, MAMP 450 PSI [TDI, RLVA25683001201]
30	2	112546	VALVE, SOLENOID, (SUPPLIED BY OTHERS)
35	1	107893	GAUGE, PRESSURE, BM, 4" LF, 0-200 PSI DUAL, 1/2" NPT [WIKA, 233.54]
40	1	103758	STARTER, AIR/GAS, STD 150-60 PSIG, INERTIA DUAL [TDI TURBOSTART, T112-60001-B1R]
45	1	104691	HOSE, BRAIDED STEEL, 1-1/2" NPTM ENDS X 12" LONG
50	1	104693	HOSE, BRAIDED STEEL, 2" NPTM ENDS X 12" LONG
51	1	118790	SWITCH, PRESSURE, 1500 MWP, 18-150R, 6-138F, XP, [CCS, 6900GE16]
52	1	116812	VALVE, BALL, 3-WAY, 1/4" TUBE, 316SS, .125" ORIFICE [WHITEY, SS-42XS4]

			BILL OF MATERIAL: W 040574-58 : START GAS
			DATE-TIME EXPORTED: 2004-08-24-11.18
55	1	115569	FILTER, 1-1/2" FNPT C/W 200-35-DX ELEMENT &SS PLUG [PARKER, C8312N-0A0-DX-S453]
60	1	102830	STRAINER, Y, 1-1/2" NPT, 1480 PSIG MAMP, CS, 1/32" SS SCREEN [ALTA, YS-600]
65	1	103762	VALVE, RELAY, GAS, 1-1/2" NPT, MAMP 450 PSI [TDI, RLVA25683001201]
70	1	104863	REGULATOR, 1" NPT, DI, 3/8" OR, 35-80# SPR RNG, SET @ 50 PSIG [FISHER, 627-494]
75	1	NPN-REQ	REGULATOR SUPPLIED BY WAUKESHA

			BILL OF MATERIAL: W 040574-59 : FUEL GAS
			DATE-TIME EXPORTED: 2004-08-24-11.18

AS-BUILT
DATE NOV 05 2004

REV	DESCRIPTION	DATE	DRAWN BY	CHECKED BY
2	AS BUILT	04/10/26	SMB/ARJ	DB
1	FOR CONSTRUCTION	04/08/30	SMB	DB
0	FOR APPROVAL	04/06/23	MGN	DB

EFX Compression
ENERFLEX

4700 47 Street SE Calgary AB Canada T2B 3R1 Canada Tel. +1.403.236.6800 Fax +1.403.279.0367
www.enerflex.com

TITLE: FUEL & START GAS
WAUKESHA F3521GL
COMPRESSOR PACKAGE

FOR: FORT ENERGY

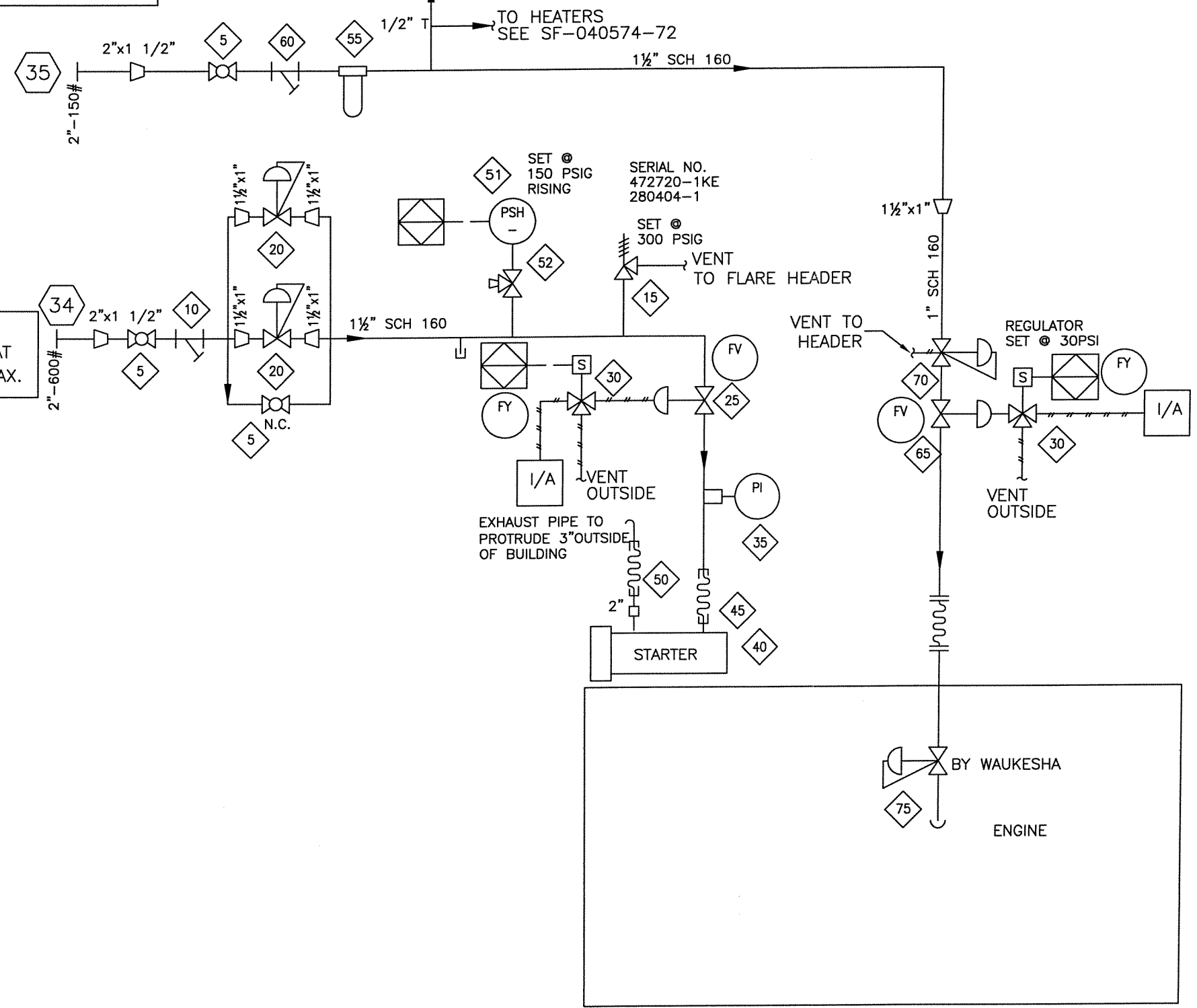
CONSULTANT: P.O.:
LSD: JOB No.: 040574

DRWN BY: MGN DATE: 03/07/03
DESIGN BY: CHKD BY: DATE: 04/11/03
SCALE: NTS APPV BY: DWG. No. SF-040574-22
OP# 22

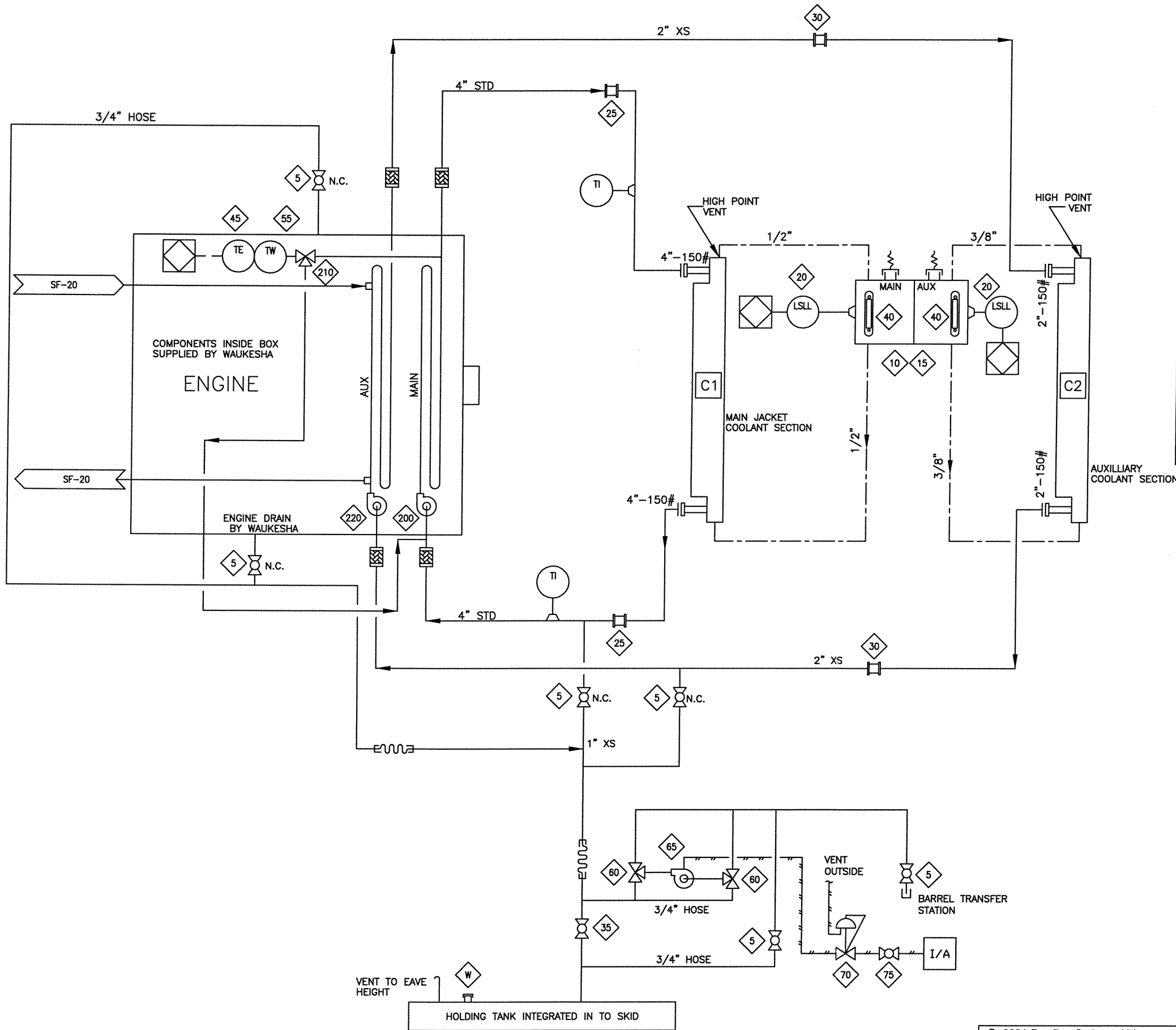
FUEL GAS (80-150 PSIG SUPPLY)
RATED 53 SCFM @ 120 PSIG
(PSV BY CUSTOMER)

INSTRUMENT GAS
FOR RELAY VALVE
SEE SF-040574-27

START GAS
RATED @ 1500 SCFM AT
1000 PSI, 1200 PSI MAX.



© 2004 Enerflex Systems Ltd.
REPRODUCTION OF ANY PORTION OF THESE MATERIALS WITHOUT THE EXPRESS
WRITTEN CONSENT OF ENERFLEX SYSTEMS LTD. IS STRICTLY PROHIBITED.
THESE MATERIALS SHALL NOT BE USED FOR ANY PURPOSE OTHER THAN THE
REPAIR AND MAINTENANCE OF THE PRODUCTS TO WHICH THEY RELATE.



BILL OF MATERIAL

ITEM	QTY	EFX CODE	DESCRIPTION
5	5	102973	VALVE, BALL, 3/4" NPT, 2000# WDG, RP, 316SS, NACE C/V (NAVCO, C1-R07S20A)
10	1	110461	TANK, SURGE, 2-COMPARTMENT, 86/50L CAPACITY FOR F2895GL/GSI, F3521GL/GSI, L36GL
15	1	115156	COOLANT, 50/50 GLYCOL/WATER (BULK) (UCATHERM, 12779531)
20	2	104500	SWITCH, LEVEL, 2" NPT, XP, CSA C/V SS FLOAT (MURPHY, L1200SF)
25	2	101236	COUPLING, STRAIGHT, 4", STYLE 38 (DRESSER, 0038-0036-011)
30	2	101245	COUPLING, STRAIGHT, 2", STYLE 90 (DRESSER, 0090-0005-082)
35	1	102937	VALVE, BALL, 1" NPT, 2000# WDG, RP, 316SS, NACE C/V LOCKING (NAVCO, C1-R10S20A)
40	2	104559	VALVE, SET GAUGE, SWEET, 5/8" OD TUBULAR X 1/2" MNPT, BRASS (CRANE, 20-104-03)
45	1	NPN	THERMOCOUPLE, K250-316-S-010.0-B-82X-YM4-072.0
55	1	118787	THERMOWELL, 304SS, 1/2" X 3/4" NPTM X 4" LG, U=2.50", 1.135" BORE, STRAIGHT
60	2	118586	X-VALVE, BALL, 3-WAY, 3/4" NPT, FULL SS, 800 PSI (APOLLO, 76-604-01)
65	1	107477	PUMP, DIAPHRAGM, 1/2" NPT, ALUMINUM, BUNA, #01-10001 (WILDEN, TL/AYYB/BN/BN/ABN)
70	1	104872	REGULATOR, 1/4" NPT, ALUM., 0-125#, TAPPED (W/D PD) (FISHER, 67CFR-601/SPEC)
75	1	102920	VALVE, BALL, 1/2" NPT, 2000# WDG, FP, CS C/V LOCKING HANDLE (NUTRON, T3-F05S20B)
200	1	NPN-REQ	>>MAIN COOLANT PUMP BY WAUKESHA
210	1	NPN-REQ	>>MAIN JACKET WATER TCV BY WAUKESHA
220	1	NPN-REQ	>>AUXILIARY COOLANT PUMP, HIGH OUTPUT, BY WAUKESHA, VED OPTION CODE 4352B

BILL OF MATERIAL			V 040574-57 : COOLING SYSTEM
DATE-TIME EXPORTED:			2004-08-24-11.45

AS-BUILT
DATE NOV 05 2004

REV	DESCRIPTION	DATE	DRAWN BY	CHECKED BY
2	AS BUILT	04/10/26	ARJ	DB
1	FOR CONSTRUCTION	04/08/30	SMB	DB
0	FOR APPROVAL	04/08/23	MGN	DB

BFX Compression
ENERFLEX

4700 47 Street SE Calgary AB Canada T2B 3R1 Canada Tel. +1.403.236.6800 Fax +1.403.279.0367
www.enerflex.com

TITLE: **ENGINE COOLING SYSTEM
WAUKESHA F3521GL
COMPRESSOR PACKAGE**

FOR: **FORT ENERGY**

CONSULTANT: P.O.: **ENERFLEX** LSD: JOB No.: **040574**

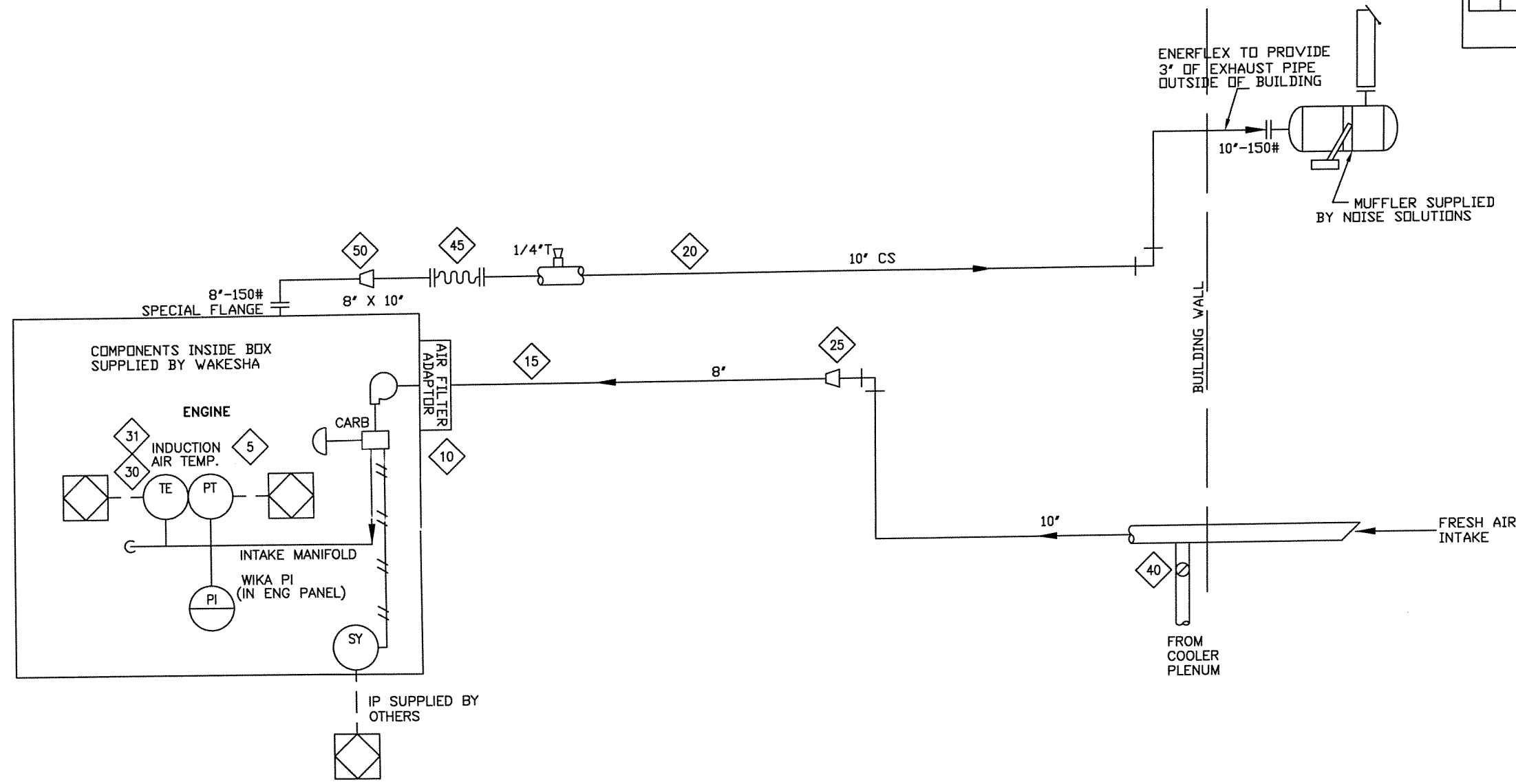
DRWN BY: MGN	DESIGN BY:	DATE:	DWG. No.	OP#
DATE: 03/07/03	CHKD BY:	DATE:	SF-040574-24	24
SCALE: NTS	APPVD BY: <i>OB</i>	DATE: <i>04/11/03</i>		

© 2004 Enerflex Systems Ltd.
REPRODUCTION OF ANY PORTION OF THESE MATERIALS WITHOUT THE EXPRESS WRITTEN CONSENT OF ENERFLEX SYSTEMS LTD. IS STRICTLY PROHIBITED. THESE MATERIALS SHALL NOT BE USED FOR ANY PURPOSE OTHER THAN THE REPAIR AND MAINTENANCE OF THE PRODUCTS TO WHICH THEY RELATE.

BILL OF MATERIAL

ITEM	QTY	EFX CODE	DESCRIPTION
5	1	107994	TRANSMITTER, PRESSURE, -30"HG/30 PSIG, SWEET, 1/4" NPT (WIKA, 89213.500)
10	1	110235	AIR FILTER ADAPTOR, 8" OD F/L SERIES VHP GSI
15	1	103610	HUMPHOSE, STRAIGHT, RUBBER, 8" (DONALDSON, P11-2608)
20	20	104560	EXHAUST TUBING, MECHANICAL, 10" OD X 14 GAUGE (.075 WALL), ERW
25	1	110234	AIR INTAKE Y MANIFOLD, 8" X 10" AS PER DWG 26.501
30	1	NPN	THERMOCOUPLE, K-250-316-S-0100-B-82X-YM4-072.0
31	1	118787	THERMOWELL, 304SS, 1/2" X 3/4" NPTM X 4" LG, U=2.50", .135" BORE, STRAIGHT
35	1	102806	VALVE, NEEDLE, 1/4" TUBE, CS (WHITEY, S-1VS4)
40	1	NPN-REQ	WARM AIR SELECTOR PROVIDED BY NOISE SOLUTIONS INC.
45	1	104681	EXPANSION BELLOV, 10" 150# INTERNAL FLANGES C/V 2" COLLAR & SS LINER X 12" LONG
50	1	104701	REDUCER, EXHAUST TUBE, 10" X 8" OD X 3-1/2" LONG, 10 GAUGE, CS

 BILL OF MATERIAL: W 040574-60 - AIR/EXHAUST
 DATE-TIME EXPORTED: 2004-08-24-13.32



AS-BUILT
 DATE NOV 05 2004

REV	DESCRIPTION	DATE	DRAWN BY	CHECKED BY
2	AS BUILT	04/10/28	SMB/ARJ	DB
1	FOR CONSTRUCTION	04/08/30	SMB	DB
0	FOR APPROVAL	04/08/25	MGN	DB

EFX Compression
ENERFLEX

4700 47 Street SE Calgary AB Canada T2B 3R1 Canada Tel: +1403.236.6800 Fax: +1403.279.0367
 www.enerflex.com

TITLE: SERVICE FLOW
 WAUKESHA F3521GL
 AIR & EXHAUST SYSTEM

FOR: FORT ENERGY

CONSULTANT: P.O.: LSD: JOB No.: 040574

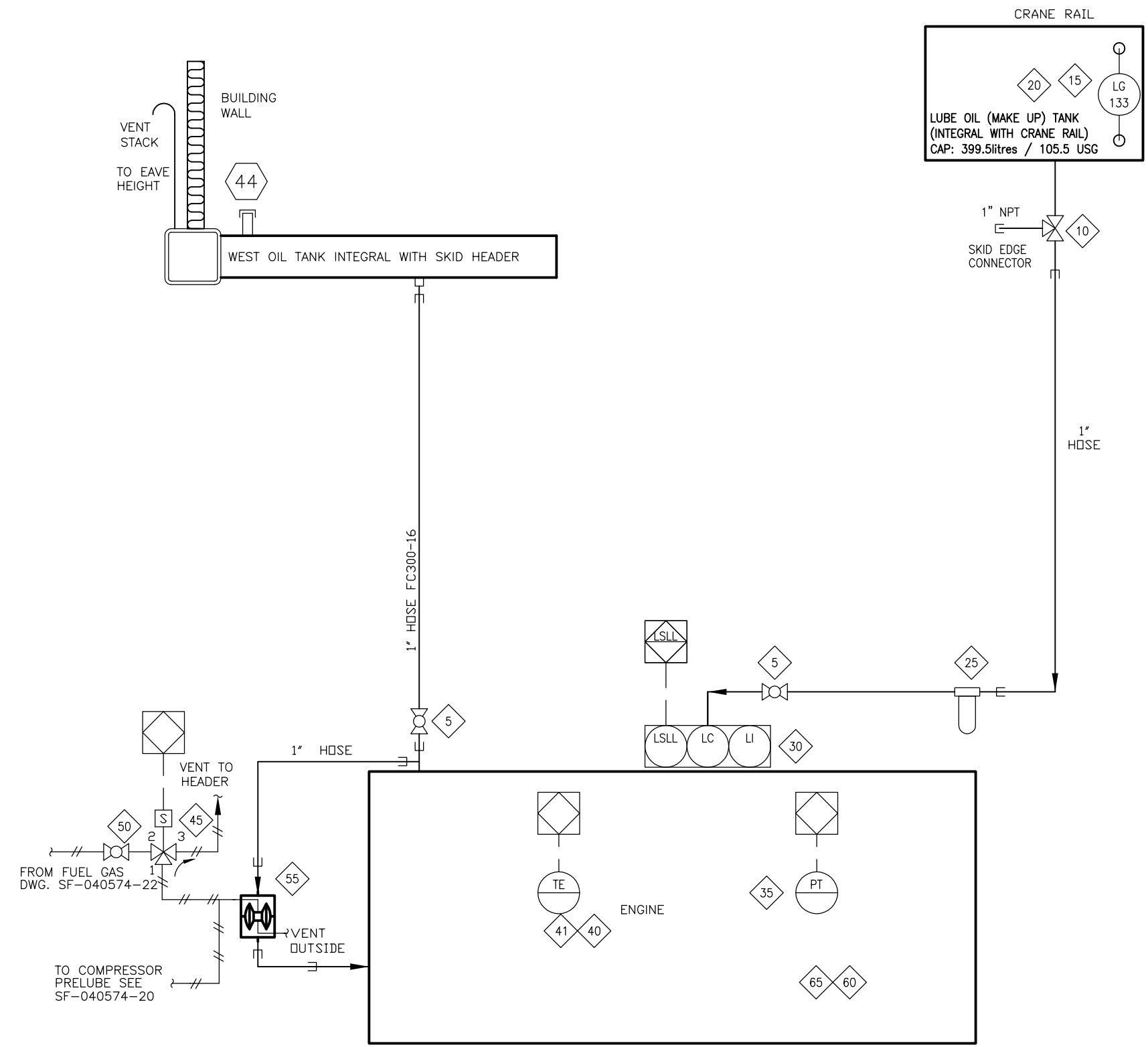
DRWN BY: MGN DATE: 2004/08/23
 CHKD BY: DB DATE: 04/11/03
 SCALE: NTS APPVD BY: OS

DWG. No. SF-040574-26
 OP# 26

© 2004 Enerflex Systems Ltd.
 REPRODUCTION OF ANY PORTION OF THESE MATERIALS WITHOUT THE EXPRESS WRITTEN CONSENT OF ENERFLEX SYSTEMS LTD. IS STRICTLY PROHIBITED. THESE MATERIALS SHALL NOT BE USED FOR ANY PURPOSE OTHER THAN THE REPAIR AND MAINTENANCE OF THE PRODUCTS TO WHICH THEY RELATE.

BILL OF MATERIAL				
ITEM	QTY	EFX CODE	DESCRIPTION	
5	2	102937	VALVE, BALL, 1" NPT, 2000# WDG, RP, 316SS, NACE C/W LOCKING [NAVCO, C1-R10S20A]	
10	1	120116	VALVE, BALL, 3-WAY, 1" NPT, FULL SS, 800 PSI [APOLLO, 76-605-01]	
15	1	104559	VALVE, SET GAUGE, SWEET, 5/8" OD TUBULAR X 1/2" MNPT, BRASS [CRANE, 20-104-03]	
20	1	104080	OIL, LUBE, BULK (1,600 LITRE CUBE) [PETRO CANADA, SENTINAL 445]	
25	1	104295	FILTER, OIL, ASSEMBLY, 1" FNPT C/W BF915 ELEMENT & BASE FB1307 [BALDWIN, BF914]	
30	1	107968	CONTROLLER, OIL LEVEL C/W ELECTRIC SWITCH, XP, CSA C/W DOOR MT [KENCO, LCE-17]	
35	1	107987	TRANSMITTER, PRESSURE, 0-100 PSIG, SWEET, 1/4" NPT [WIKA, 892.13.500]	
40	1	NPN-REQ	>>X-TYPE THERMOCOUPLE HARNESS BY WAUKESHA	
41	1	NPN-REQ	THERMOCOUPLE BY WAUKESHA	
45	1	112546	VALVE, SOLENOID, 3-WAY, 24VDC, CSA, XP, LOWER PDWER, SS, [ASCO, EF8314G301-24]	
50	1	102949	VALVE, BALL, 1/2" NPT, 2000# WDG, RP, 316SS, NACE C/W [NAVCO, C1-R05S20A]	
55	1	107478	PUMP, DIAPHRAGM, 1" NPT, ALUMINUM, BUNA, #02-10001 [WILDEN, T2/AAAB/BN/BN/ABN]	
60	1	NPN-REQ	>>CEC IGNITION SYSTEM, BY WAUKESHA	
65	1	NPN-REQ	>> DSM SENSORS BY WAUKESHA	

BILL OF MATERIAL:			W 040574-61 : ENGINE OIL	
DATE-TIME EXPORTED:			2004-08-24-14.04	



REV	DESCRIPTION	DATE	DRAWN BY	CHECKED BY
4	REVISED TO SHOW CRANE TANK CAPACITY	05/08/16	DLL	
3	REVISED PUMP VENT TO OUTSIDE AND AS BUILT	04/11/09	MGN	DB
2	AS BUILT	04/10/26	SMB/ARJ	DB
1	FOR CONSTRUCTION	04/08/30	SMB	DB
0	FOR APPROVAL	04/08/25	MGN	DB

EFX Compression
 4700 47 Street SE Calgary AB Canada T2B 3R1 Canada Tel. +1.403.236.6800 Fax +1.403.279.0367
 www.enerflex.com

TITLE: SERVICE FLOW
 WAUKESHA F3521GL
 ENGINE LUBE OIL SYSTEM

FOR: FORT ENERGY

CONSULTANT: P.O.:
 LSD: JOB No.: 040574

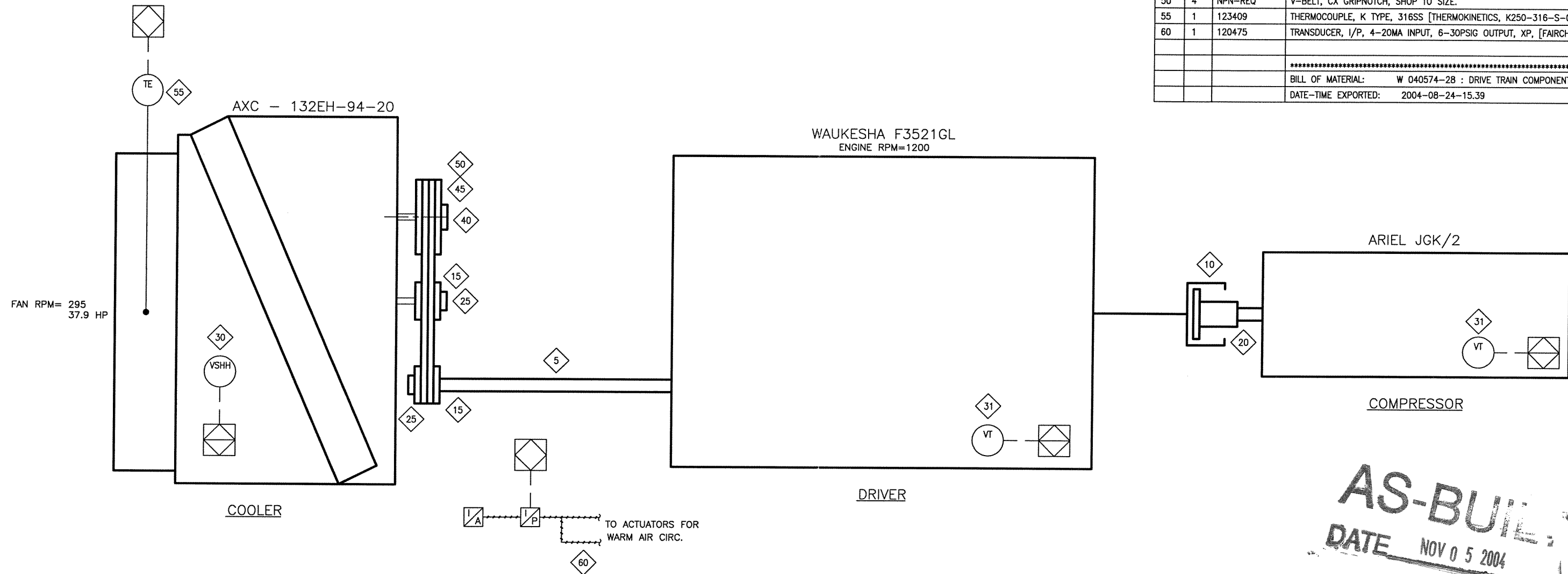
© 2004 Enerflex Systems Ltd.
 REPRODUCTION OF ANY PORTION OF THESE MATERIALS WITHOUT THE EXPRESS WRITTEN CONSENT OF ENERFLEX SYSTEMS LTD. IS STRICTLY PROHIBITED.
 THESE MATERIALS SHALL NOT BE USED FOR ANY PURPOSE OTHER THAN THE REPAIR AND MAINTENANCE OF THE PRODUCTS TO WHICH THEY RELATE.

DRWN BY: MGN	DESIGN BY:	DATE:	DWG. No.:	OP#:
DATE: 2004/08/23	CHKD BY: DB	DATE:	SF-040574-27	27
SCALE: NTS	APPV BY:	DATE:		

BILL OF MATERIAL

ITEM	QTY	EFX CODE	DESCRIPTION
5	1	114494	STUB SHAFT, 2.1875" OD
10	1	105064	COUPLING, ADAPTER PLATE 22.5" OD HD C/W STEEL HUB [FORMFLEX, FSH60-22B-GK-HD]
15	2	107191	SHEAVE, 4-GROOVE, USED WITH Q2 BUSHING [BROWNING, 4C60Q]
20	1	NPN-REQ	COUPLING GUARD
25	2	107083	BUSHING, Q2 2-3/16" [BROWNING, Q2]
30	1	104524	SWITCH, VIBRATION, ELECTRIC C/W MANUAL RESET [MURPHY, VS2]
31	2	121571	TRANSMITTER, VIBRATION, [METRIX, ST5484E-121-020-00]
40	1	107077	BUSHING, R1 2-11/16" [BROWNING, R1]
45	1	107142	SHEAVE, 4-GROOVE, USED WITH R1 BUSHING [BROWNING, 4C360R]
50	4	NPN-REQ	V-BELT, CX GRIPNOTCH, SHOP TO SIZE.
55	1	123409	THERMOCOUPLE, K TYPE, 316SS [THERMOKINETICS, K250-316-S-024.0-B-82X-YM4-72]
60	1	120475	TRANSDUCER, I/P, 4-20MA INPUT, 6-30PSIG OUTPUT, XP, [FAIRCHILD, TCX17800-403-EN]

			BILL OF MATERIAL: W 040574-28 : DRIVE TRAIN COMPONENTS
			DATE-TIME EXPORTED: 2004-08-24-15.39



AS-BUILT
DATE NOV 05 2004

REV	DESCRIPTION	DATE	DRAWN BY	CHECKED BY
2	AS BUILT	04/10/26	SMB/ARJ	DB
1	FOR CONSTRUCTION	04/08/30	SMB	DB
0	FOR APPROVAL	04/08/25	MGN	DB

EFX Compression
ENERFLEX

4700 47 Street SE Calgary AB Canada T2B 3R1 Canada Tel. +1.403.236.6800 Fax +1.403.279.0367
www.enerflex.com

TITLE: DRIVE TRAIN EQUIPMENT
ARIEL JGK/2, WAUKESHA F3521GL, AXC 132EH

FOR: FORT ENERGY

CONSULTANT: P.O.: LSD: JOB No.: 040574

DRWN BY: MGN DATE: 2004/08/23
SCALE: NTS

DESIGN BY: DATE: 2004/08/23
CHKD BY: DB DATE: 2004/08/23
APPVD BY: DB DATE: 2004/08/23

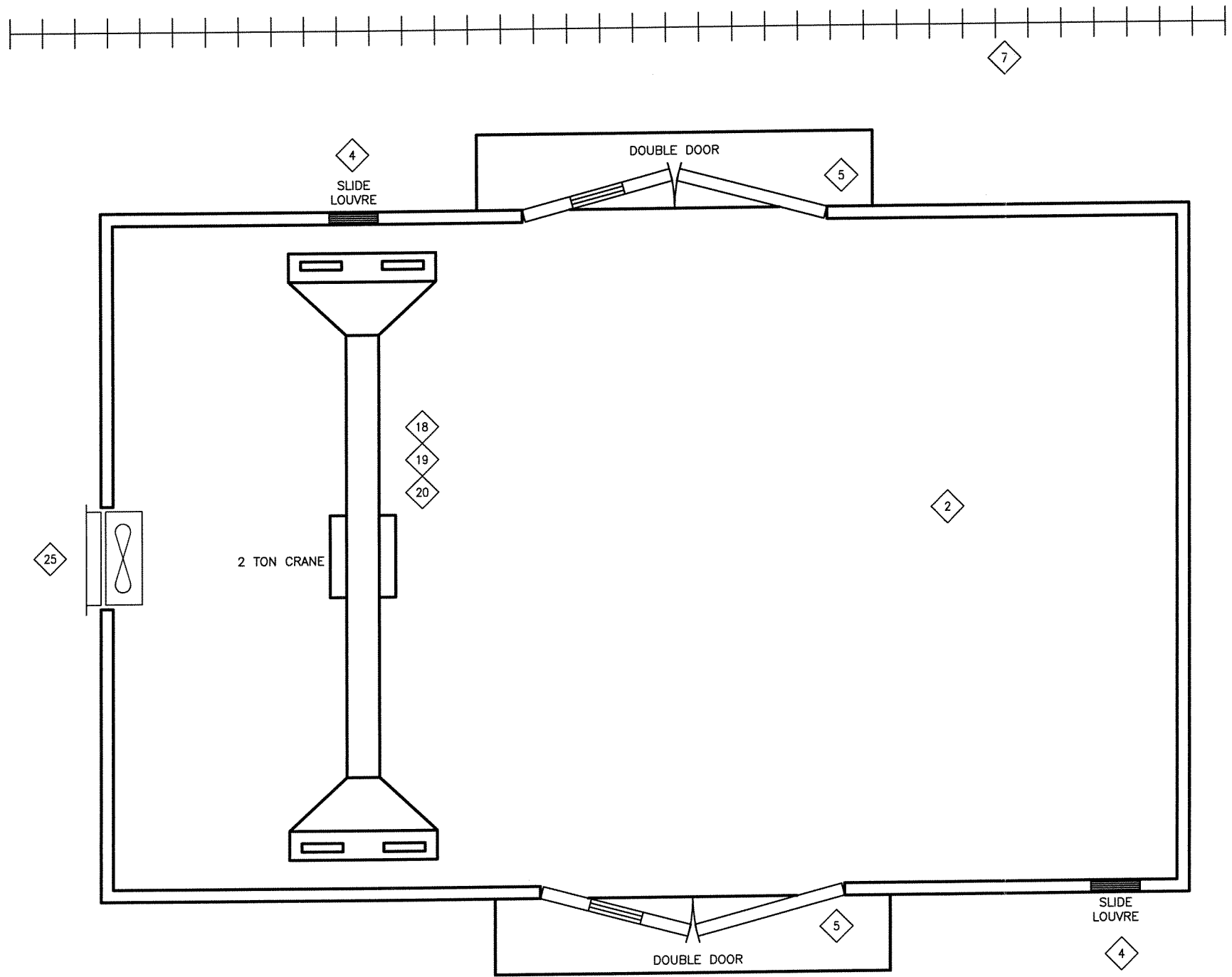
DWG. No. OP#
SF-040574-28 28

© 2004 Enerflex Systems Ltd.
REPRODUCTION OF ANY PORTION OF THESE MATERIALS WITHOUT THE EXPRESS WRITTEN CONSENT OF ENERFLEX SYSTEMS LTD. IS STRICTLY PROHIBITED. THESE MATERIALS SHALL NOT BE USED FOR ANY PURPOSE OTHER THAN THE REPAIR AND MAINTENANCE OF THE PRODUCTS TO WHICH THEY RELATE.

BILL OF MATERIAL

ITEM	QTY	EFX CODE	DESCRIPTION
2	1	107575	BLDG, 22G PREPAINTED STEEL, 20G PERFORATED WHITE INTERIOR, R12 BATT INSULATION
4	2	107542	LOUVRE, MANUAL ADJUSTABLE, 18" X 30" WITH BIRD SCREEN
5	2	107598	CANOPY, OVER DOUBLE DOOR TO MATCH BUILDING EXTERIOR
6	1	110228	DECALS (SPECIFY DETAIL)
7	1	107535	ICE RAKE, LINEAR FT
8	1	107530	EAVESTROUGHING C/W DOWNSPOUTS
14	2	104636	BLDG, EXTENSION, PULL-OUT DOOR, SET OF 2
15	2	107443	PLATE, CHECKER, 3/16"
16	2	109148	SUPPORT, BAY DOOR, B400/401/530/570
18	1	115537	TROLLEY, BALL BEARING, 2 TON C/W SAFETY LUGS [KITD, KTD-TSP-2020]
19	1	103191	HOIST, CHAIN, MANUAL, 2 TON, 10' LIFT [KITD, KTD-CF020-10]
20	4	102823	WHEEL, DUCTILE IRON, 2250# CAP, 6" DIA X 1.75" HD, FLAT-3/4" [EBC, 6175F-DU-RB]
25	1	107533	EXHAUST FAN, (1) 16" WALL MOUNTED, 1/4 HP, 120V/1PH/60HZ, XP, CSA

BILL OF MATERIAL:			W 040574-31 : BUILDING



COLOR SCHEDULE

- WALL INTERIOR LINER: 20 GA PERFORATED WHITE ALUM. INTERIOR
- WALL EXTERIOR LINER: 22 GA PREPAINTED SAPPHIRE BLUE
- COOLER: EM SILVER GREY
- EQUIPMENT: EM SILVER GREY
- SKID PERIMETER: EM SILVER GREY
- GRATING: BLACK
- SCRUBBER DRAINS: EM SILVER GREY

BUILDING EQUIPMENT AND DETAILS

AS-BUILT
DATE NOV 0 5 2004

REV	DESCRIPTION	DATE	DRAWN BY	CHECKED BY
1	AS BUILT	04/11/04	MGN	DB
0	FOR APPROVAL	04/08/23	MGN	DB

EFX Compression
ENERFLEX

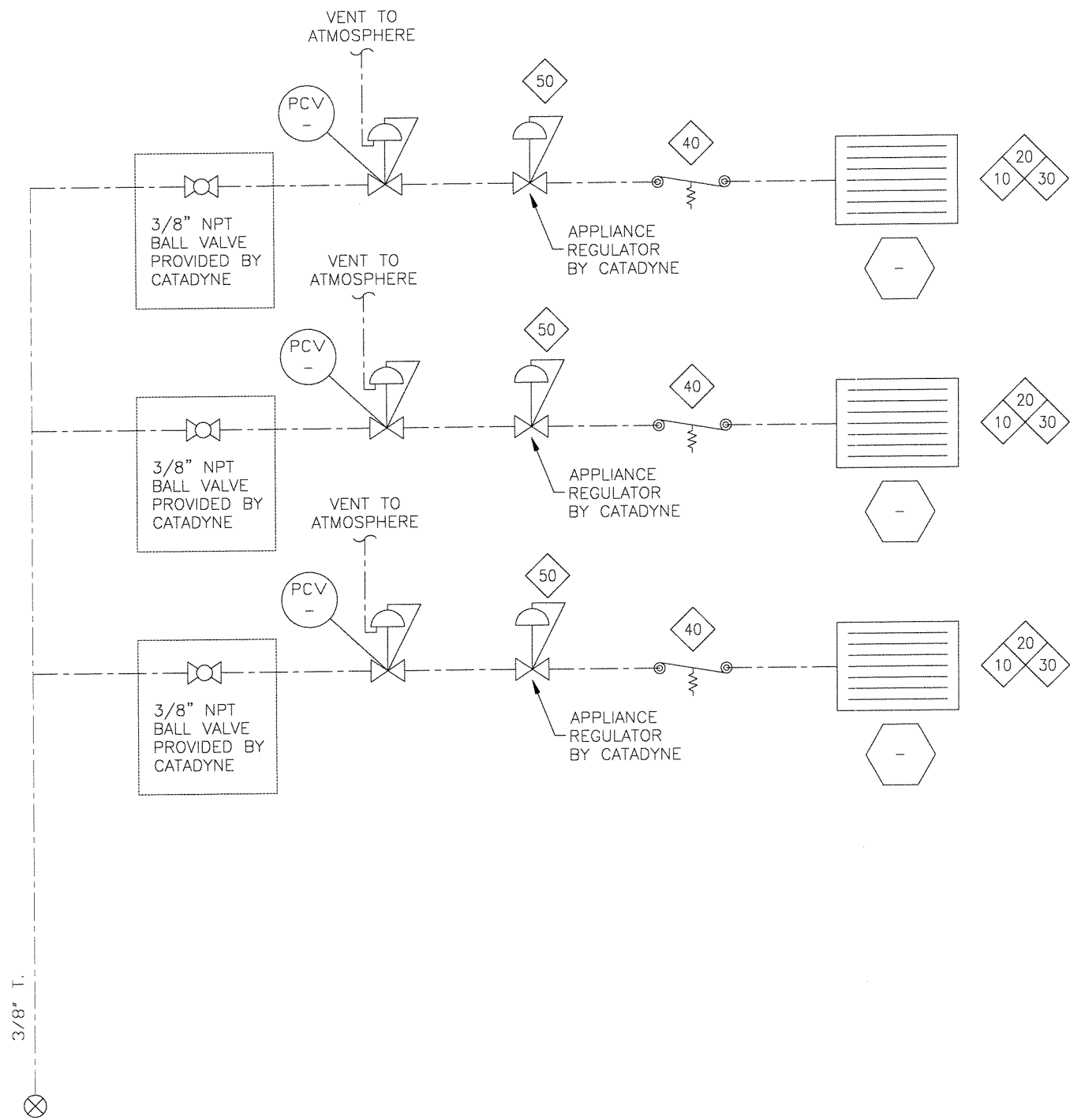
4700 47 Street SE Calgary AB Canada T2B 3R1 Canada Tel. +1403236.6800 Fax +1403279.0367
www.enerflex.com

TITLE: BUILDING EQUIPMENT
COMPRESSOR PACKAGE

FOR: FORT ENERGY

CONSULTANT: P.O.:	LSD: JOB No.: 040574
DRAWN BY: MGN DATE: 2004/08/23 SCALE: NTS	DESIGN BY: DB CHKD BY: DB APPVD BY: DB
DATE: 04/11/05	DWG. No. SF-040574-70 OP# 70

© 2004 Enerflex Systems Ltd.
REPRODUCTION OF ANY PORTION OF THESE MATERIALS WITHOUT THE EXPRESS WRITTEN CONSENT OF ENERFLEX SYSTEMS LTD. IS STRICTLY PROHIBITED.
THESE MATERIALS SHALL NOT BE USED FOR ANY PURPOSE OTHER THAN THE REPAIR AND MAINTENANCE OF THE PRODUCTS TO WHICH THEY RELATE.



GAS SUPPLY
150 PSIG MAX.
FROM FUEL GAS
SEE DWG 'SF-22'

BUILDING EQUIPMENT AND CONTROLS

BILL OF MATERIAL

ITEM	QTY	EFX CODE	DESCRIPTION
10	3	103500	HEATER, 32 MBTU, 120 VOLT C/W VALVE-H17CB-5 (CATADYNE, WX2448-0001)
20	-	-	-
30	3	100809	HEATER, PROTECTION GRILL, 24" X 24", (2 PER SET) (CATADYNE, AC-SNAP-1224)
40	3	103517	HEATER, THERMOSTAT (CATADYNE, AC-TC)
50	3	103515	HEATER, REGULATOR, 250 PSIG, 11" WC, 1/4" X 3/8" NPT (CATADYNE, AC-R-912)

BILL OF MATERIAL:			W 040574-32 : ?-HEATER MODULE, CATADYNE, 2 UNIT STD
DATE-TIME EXPORTED:			2004-08-24-14.23

AS-BUILT
DATE NOV 05 2004

REV	DESCRIPTION	DATE	DRAWN BY	CHECKED BY
2	AS BUILT	04/10/26	SMB/ARJ	DB
1	FOR CONSTRUCTION	04/08/30	SMB	DB
0	FOR APPROVAL	04/08/23	MGN	DB

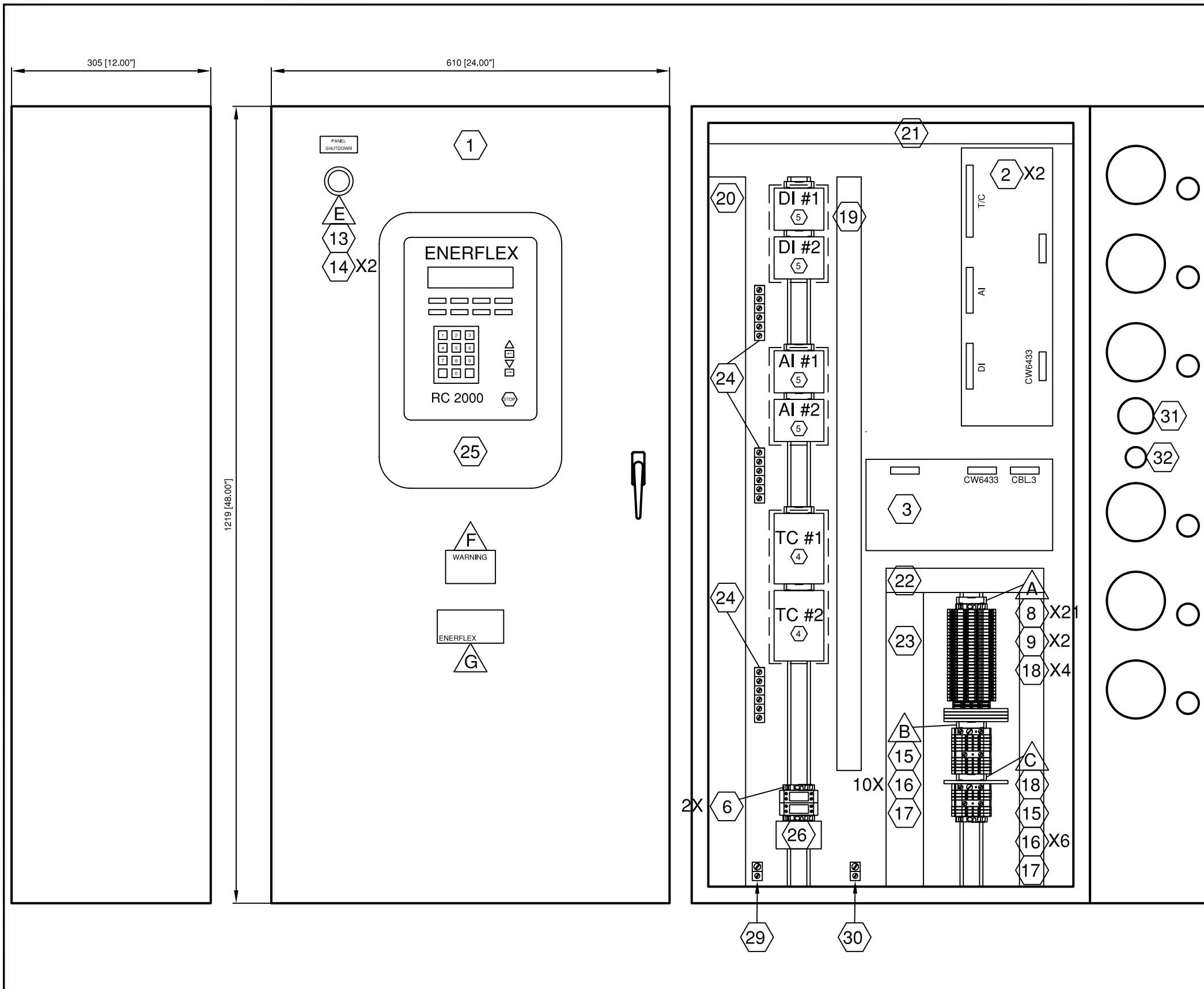
EFX Compression
ENERFLEX
4700 47 Street SE Calgary AB Canada T2B 3R1 Canada Tel. +1.403.236.6800 Fax +1.403.279.0367
www.enerflex.com

TITLE: BUILDING HEATERS
CATADYNE
COMPRESSOR PACKAGE
FOR: FORT ENERGY

CONSULTANT: P.O.:
LSD: JOB No.: 040574

DRWN BY: MGN	DESIGN BY:	DATE:	DWG. No.	OP#
DATE: 2004/08/23	CHKD BY: DB	DATE:	SF-040574-72	72
SCALE: NTS	APPVD BY: DB	DATE: 04/10/03		

© 2004 Enerflex Systems Ltd.
REPRODUCTION OF ANY PORTION OF THESE MATERIALS WITHOUT THE EXPRESS WRITTEN CONSENT OF ENERFLEX SYSTEMS LTD. IS STRICTLY PROHIBITED. THESE MATERIALS SHALL NOT BE USED FOR ANY PURPOSE OTHER THAN THE REPAIR AND MAINTENANCE OF THE PRODUCTS TO WHICH THEY RELATE.



BILL OF MATERIALS ◻

ITEM	QTY	DESCRIPTION	MODEL #
1	1	ACE CUSTOM ENCLOSURE	CUSTOM
2	2	RC 2000 INPUT MODULE	CW4769-1
3	1	RC 2000 OUTPUT MODULE	CW5218-2
4	2	WIELAND. 40 PIN TERMINATION BLOCK	87.210.2208.3 (ENERFLEX SUPPLY)
5	4	WIELAND. 26 PIN TERMINATION BLOCK	87.210.2005.3 (ENERFLEX SUPPLY)
6	2	WEILAND ANALOG NON-INCENDIVE BARR.	WW.900.102
7	0	WEILAND DI NON-INCENDIVE BARRIER	10-12-01
8	21	WDK 2.5 STACKED FEED THROUGH TERM.	102150
9	2	WEID. WPE 4 GROUND TERMINAL	101010
10			
11			
12			
13	1	AB RED PUSH BUTTON	800T-FX6
14	2	N/C CONTACT BLOCK	800T-XD2P
15	2	WEID SAKS 1/35 FUSED TERMINAL	50162
16	16	WEID WDU 2.5 FEED THROUGH TERMINAL	102000
17	2	WEID WDU 10 FEED THROUGH TERMINAL	102030
18	5	WEIL. SLIM LINE RELAY	80.010.4000.0
19	LOT	1X2 GRAY PANDUIT	F1X2LG6
20	LOT	2X4 GRAY PANDUIT	F2X4LG6
21	LOT	1X2 WHITE PANDUIT	F1X2WH6
22	LOT	1X3 WHITE PANDUIT	F1X3WH6
23	LOT	2X3 WHITE PANDUIT	F2X3WH6
24	LOT	GROUND BAR	
25	1	RC 2000 CPU MODULE	691420-1
26	1	WEID. SPARE FUSE HOLDER	7914760001
27			
28			
29	1	ILSCO ISOLATED GROUND LUG	
30	1	ILSCO PANEL GROUND LUG	
31	1	MURPHY PRESSURE GAUGE 0-100psi	45A 25PEF100
32	1	AMOT 3-WAY ESD SWITCH	4288714
33	LOT	TS-35 MOUNTING RAIL	38340
34	LOT	EW 35 END STOPS	38356
35	LOT	SCHT5s TERMINAL STRIP MARKERS	163193

LAMACOID SCHEDULE ▲

ITEM	QTY	TEXT	SIZE
A	1	INCENDIVE I/O	SCHT5s
B	1	24 VDC DISTRIBUTION	SCHT5s
C	1	IGNITION DISTRIBUTION	SCHT5s
D			
E	1	PANEL SHUTDOWN	1" X 3"
F	1	WARNING EXPLOSION HAZARD DO NOT REPLACE FUSES OR WIRES UNLESS POWER HAS BEEN SWITCHED OFF OR THE AREA IS KNOWN TO BE NON-HAZARDOUS	2" x 3" WHT/RED
G	1	ENERFLEX CSA LAMACOID	2" X 4"
H			
I	-	-	-
J	-	-	-
K	-	-	-
L	-	-	-
M	-	-	-

LEGEND		WIRE COLOR LEGEND	
1. —	PANEL WIRING	1. +24VDC: RED	
2. —	FIELD WIRING	2. -24VDC: YELLOW	
3. ▲	UNFUSED TERMINAL	3. SWITCHED: ORANGE	
4. □	FUSED TERMINAL	4. ANALOG INPUT/OUTPUT - : BLACK	
5. ▲	FEED THROUGH TERMINAL	5. ANALOG INPUT/OUTPUT + : WHITE	
6. ▲	DISCONNECT TERMINAL	6. ANALOG LOOP: PURPLE	

Rev.	Soft Rev.	Revision Description	By	Date	Checked	Aprvd
3		SHOP AS BUILT	BR	25.10.2004		
2		PANEL SHOP AS BUILT	BR	08.09.2004		
1		ISSUED FOR CONSTRUCTION	BR	31.08.2004		
0		ISSUED FOR APPROVAL	BR	26.08.2004		

Project Title	FORT ENERGY RC10239 LSD 15-10-62-6 W5M	
Drawing Title	PANEL LAYOUT DRAWING	

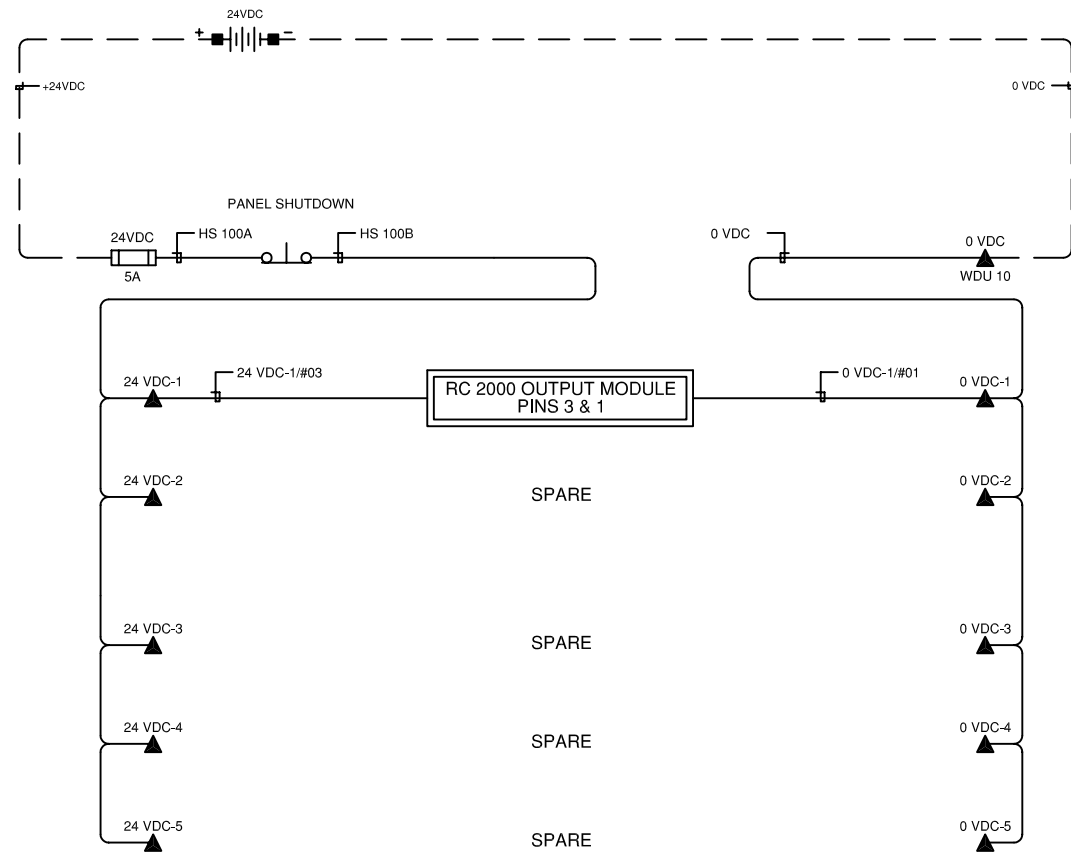
Syntech

Syntech Drawing Number: 4190110-01

Customer Drawing Number: 040575

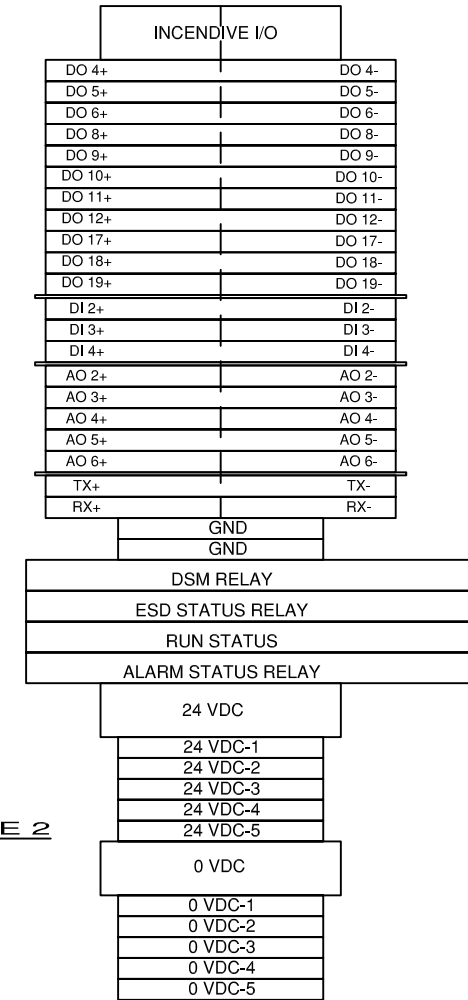
1 of 1
NTS

24VDC POWER DISTRIBUTION



24VDC TERMINAL LAYOUT

TOP LEVEL BOTTOM LEVEL



NOTE 2

NOTES:
1. ALL FUSES ARE GDA TYPE.
2. SEPARATE 24 VDC POWER PROVIDED FOR PANEL

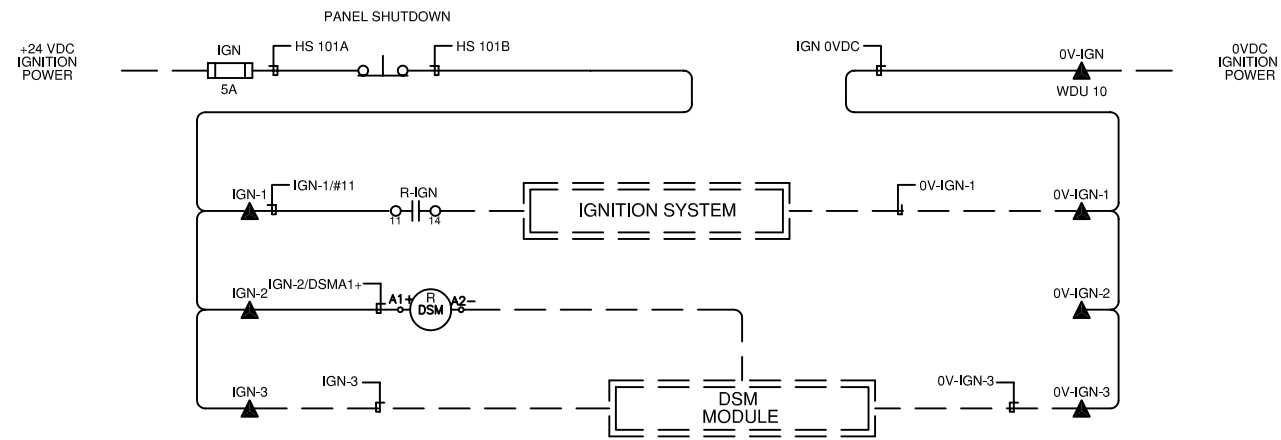
LEGEND		WIRE COLOR LEGEND	
1. PANEL WIRING	1. +24VDC: RED	2. FIELD WIRING	2. -24VDC: YELLOW
2. UNFUSED TERMINAL	3. SWITCHED: ORANGE	3. FUSED TERMINAL	4. ANALOG INPUT/OUTPUT - : BLACK
3. FUSED TERMINAL	4. ANALOG INPUT/OUTPUT + : WHITE	4. FEED THROUGH TERMINAL	5. ANALOG INPUT/OUTPUT + : WHITE
4. FEED THROUGH TERMINAL	6. ANALOG LOOP: PURPLE	5. DISCONNECT TERMINAL	
5. DISCONNECT TERMINAL			
6. DISCONNECT TERMINAL			

Rev.	Soft Rev.	Revision Description	By	Date	Checked	Aprvd
3		SHOP AS BUILT	BR	25.10.2004		
2		PANEL SHOP AS BUILT	BR	08.09.2004		
1		ISSUED FOR CONSTRUCTION	BR	31.08.2004		
0		ISSUED FOR APPROVAL	BR	26.08.2004		

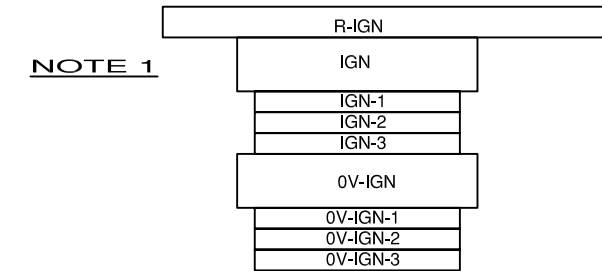
Project Title	FORT ENERGY RC10239 LSD 15-10-62-6 W5M
Drawing Title	24VDC POWER DISTRIBUTION LAYOUT DRAWING

<h1>Syntech</h1>	
Syntech Drawing Number	4190110-05
Customer Drawing Number	040575
	1 of 1 NTS

IGNITION DISTRIBUTION



IGNITION TERMINAL LAYOUT



NOTES:

1. SEPARATE 24 VDC POWER PROVIDED FOR IGNITION

LEGEND

- 1. PANEL WIRING
- 2. FIELD WIRING
- 3. UNFUSED TERMINAL
- 4. FUSED TERMINAL
- 5. FEED THROUGH TERMINAL
- 6. DISCONNECT TERMINAL

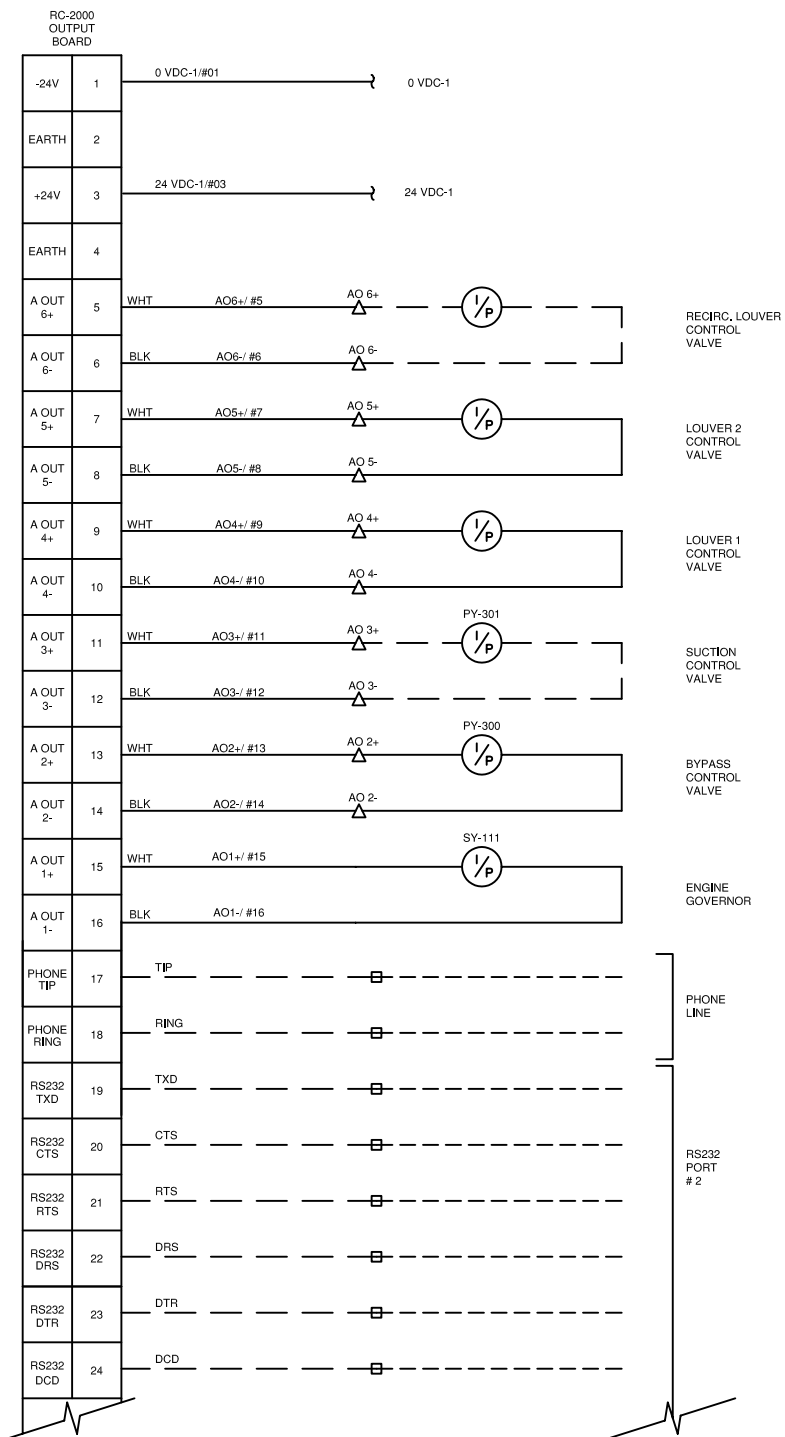
WIRE COLOR LEGEND

- 1. +24VDC: RED
- 2. -24VDC: YELLOW
- 3. SWITCHED: ORANGE
- 4. ANALOG INPUT/OUTPUT - : BLACK
- 5. ANALOG INPUT/OUTPUT + : WHITE
- 6. ANALOG LOOP: PURPLE

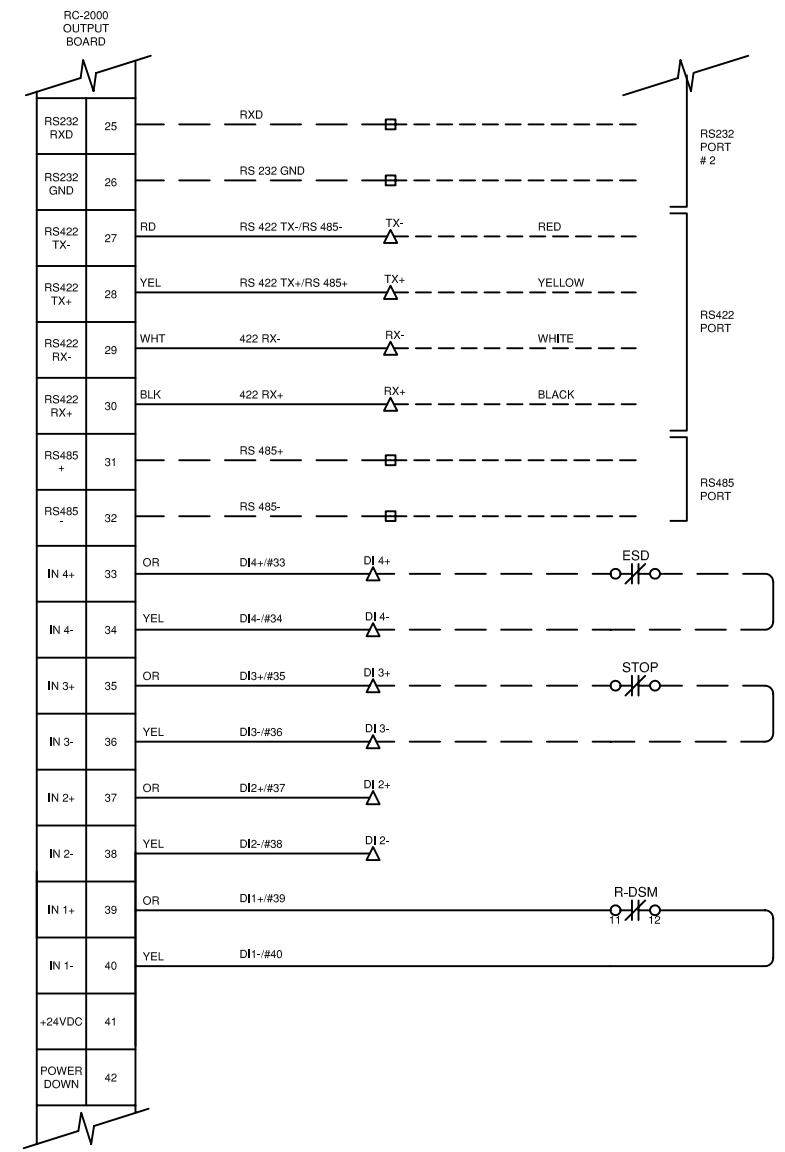
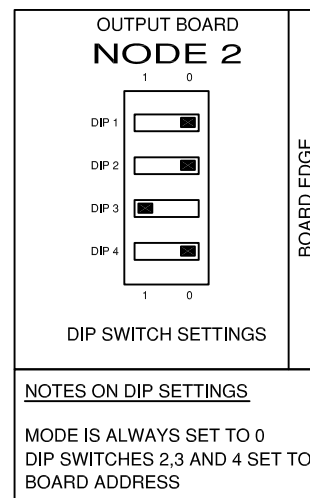
Rev.	Soft Rev.	Revision Description	By	Date	Checked	Aprvd
3		SHOP AS BUILT	BR	25.10.2004		
2		PANEL SHOP AS BUILT	BR	08.09.2004		
1		ISSUED FOR CONSTRUCTION	BR	31.08.2004		
0		ISSUED FOR APPROVAL	BR	26.08.2004		

<p>Project Title</p> <p style="text-align: center;">FORT ENERGY RC10239 LSD 15-10-62-6 W5M</p>	<p>Drawing Title</p> <p style="text-align: center;">IGNITION POWER DISTRIBUTION LAYOUT DRAWING</p>
---	---

<h1>Syntech</h1>	
Syntech Drawing Number	4190110-10
Customer Drawing Number	040575
	1 of 1 NTS



RECIRC. LOUVER CONTROL VALVE
 LOUVER 2 CONTROL VALVE
 LOUVER 1 CONTROL VALVE
 SUCTION CONTROL VALVE
 BYPASS CONTROL VALVE
 ENGINE GOVERNOR



NOTE 2

REMOTE ESD

REMOTE STOP

ENGINE MALFUNCTION

NOTES:
 1. WHEN REMOTE STOP BARRIER IS USED, REMOVE WIRES TO R-DSM RELAY CONTACTS
 2. USE ONLY INTERNALLY

LEGEND
 1. PANEL WIRING
 2. FIELD WIRING
 3. UNFUSED TERMINAL
 4. FUSED TERMINAL
 5. FEED THROUGH TERMINAL
 6. DISCONNECT TERMINAL

WIRE COLOR LEGEND
 1. +24VDC: RED
 2. -24VDC: YELLOW
 3. SWITCHED: ORANGE
 4. ANALOG INPUT/OUTPUT -: BLACK
 5. ANALOG INPUT/OUTPUT +: WHITE
 6. ANALOG LOOP: PURPLE

3	SHOP AS BUILT	BR	25.10.2004			
2	PANEL SHOP AS BUILT	BR	08.09.2004			
1	ISSUED FOR CONSTRUCTION	BR	31.08.2004			
0	ISSUED FOR APPROVAL	BR	26.08.2004			
Rev.	Soft Rev.	Revision Description	By	Date	Checked	Aprvd

Project Title
**FORT ENERGY
 RC10239
 LSD 15-10-62-6 W5M**

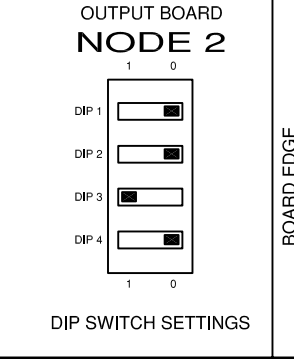
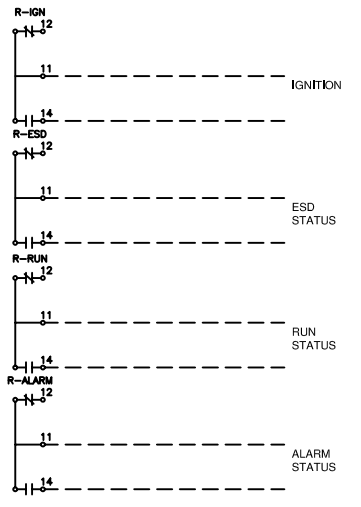
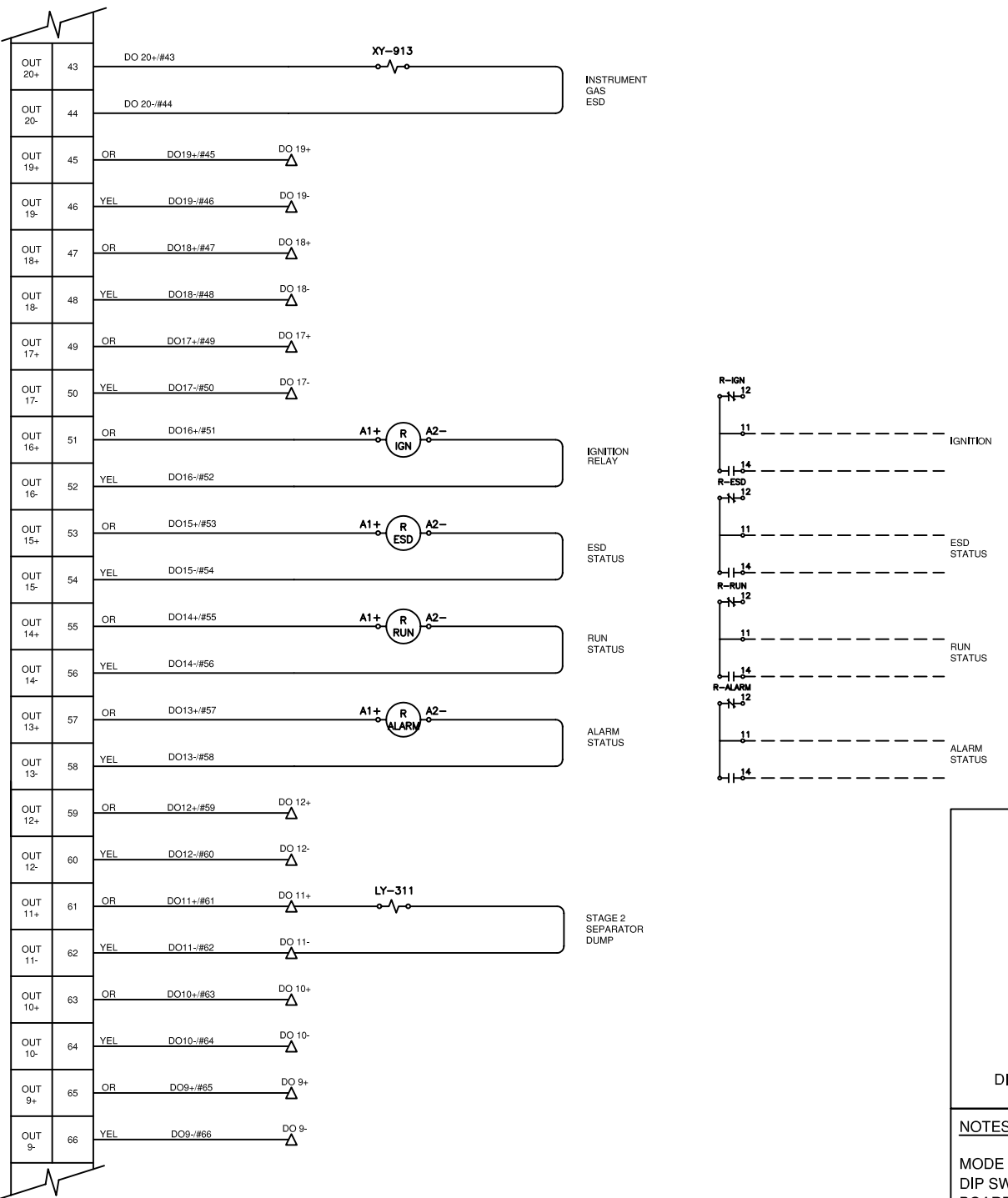
Drawing Title
**OUTPUT BOARD
 LAYOUT DRAWING**

Syntech

Syntech Drawing Number **4190110-11**
 Customer Drawing Number **040575**

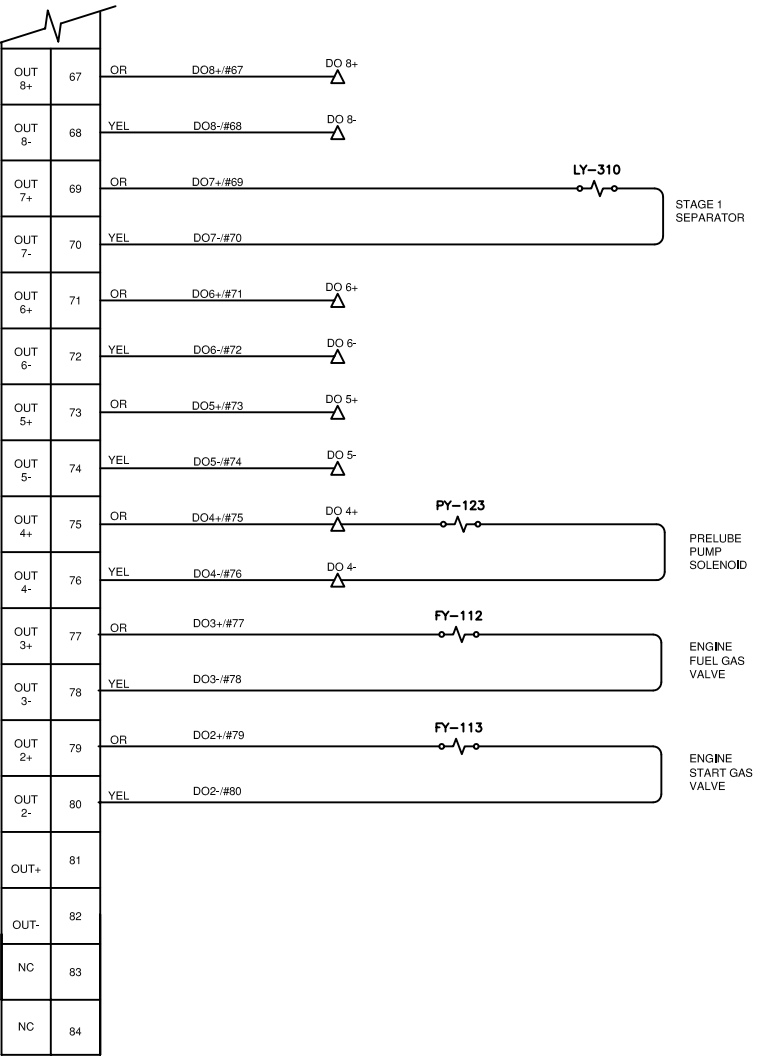
1 of 1
 NTS

RC-2000
OUTPUT
BOARD



NOTES ON DIP SETTINGS
MODE IS ALWAYS SET TO 0
DIP SWITCHES 2,3 AND 4 SET TO BOARD ADDRESS

RC-2000
OUTPUT
BOARD



NOTES:
1. WHEN BLOW CASE OPTION 626 IS USED, RETAG SOLENOID LY-310 TO LY-313A

LEGEND
1. PANEL WIRING
2. FIELD WIRING
3. UNFUSED TERMINAL
4. FUSED TERMINAL
5. FEED THROUGH TERMINAL
6. DISCONNECT TERMINAL

WIRE COLOR LEGEND
1. +24VDC: RED
2. -24VDC: YELLOW
3. SWITCHED: ORANGE
4. ANALOG INPUT/OUTPUT -: BLACK
5. ANALOG INPUT/OUTPUT +: WHITE
6. ANALOG LOOP: PURPLE

Rev.	Soft Rev.	Revision Description	By	Date	Checked	Aprvd
3		SHOP AS BUILT	BR	25.10.2004		
2		PANEL SHOP AS BUILT	BR	08.09.2004		
1		ISSUED FOR CONSTRUCTION	BR	31.08.2004		
0		ISSUED FOR APPROVAL	BR	26.08.2004		

Project Title	FORT ENERGY RC10239 LSD 15-10-62-6 W5M
Drawing Title	OUTPUT BOARD CONT' LAYOUT DRAWING

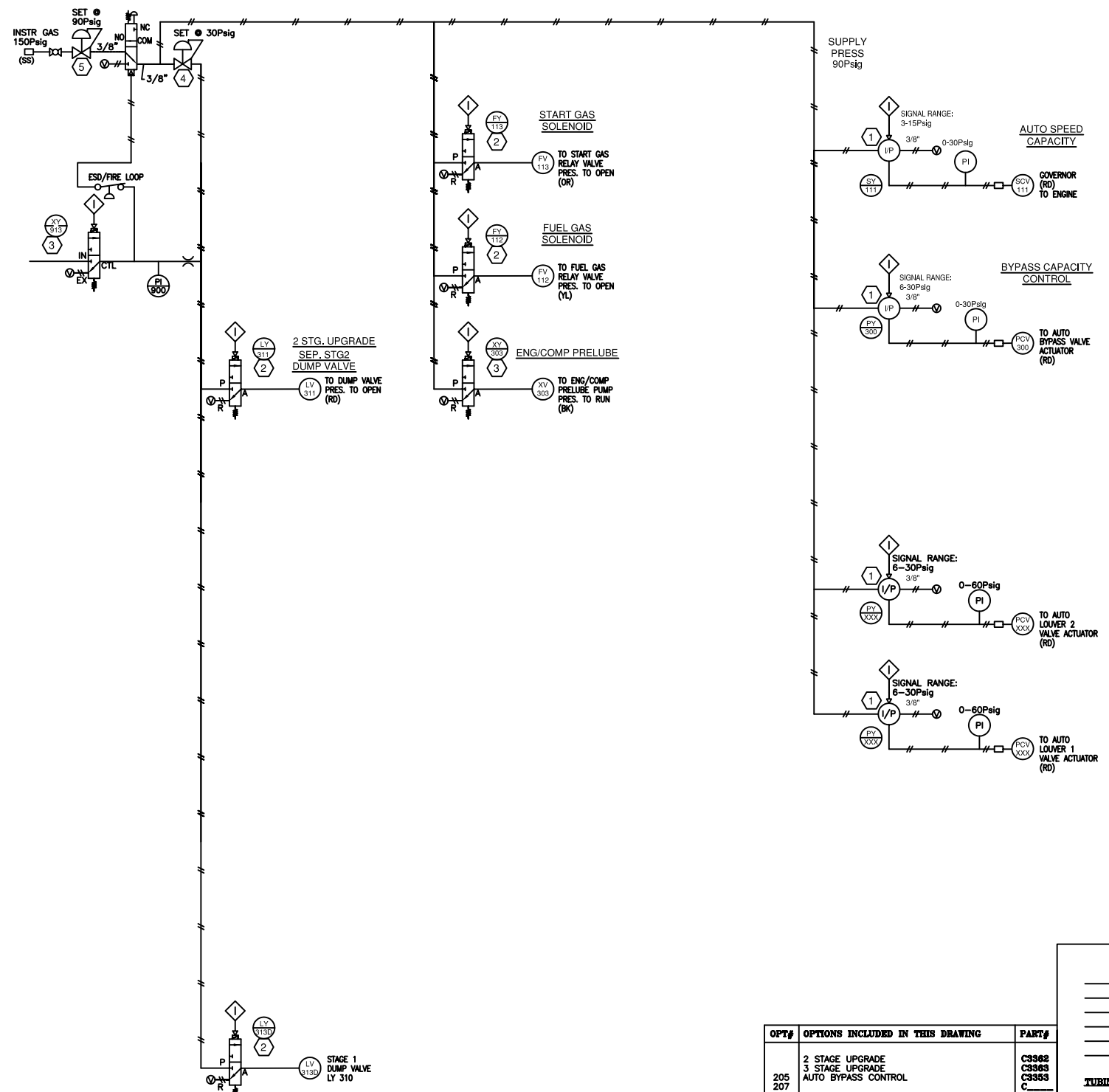
Syntech		Syntech Drawing Number	4190110-12	1 of 1
		Customer Drawing Number	040575	NTS

BILL OF MATERIALS ◻

ITEM	QTY	DESCRIPTION	MODEL #
1	4	FAIRCHILD I/P	TCXI17800-401E2
2	5	BURKERT SOLENOID	428871Y
3	2	SNAPTITE SOLENOID	3013Z-ZNT-V6F6
4	1	FISHER TYPE 67 REGULATOR 30 psi	67-CFR-362-SPEC
5	1	FISHER TYPE 64 REGULATOR 90 psi	64-29
6	-	-	-
7	-	-	-
8	-	-	-
9	-	-	-
10	-	-	-
11	-	-	-
12	-	-	-
13	-	-	-
14	-	-	-
15	-	-	-
16	-	-	-
17	-	-	-
18	-	-	-

LAMACOID SCHEDULE △

ITEM	QTY	TEXT	COLOR: TEXT/BACKGROUND	SIZE
A	-	-	-	-
B	-	-	-	-
C	-	-	-	-
D	-	-	-	-
E	-	-	-	-
F	-	-	-	-
G	-	-	-	-
H	-	-	-	-
I	-	-	-	-
J	-	-	-	-
K	-	-	-	-
L	-	-	-	-
M	-	-	-	-



LEGEND

- PROCESS PIPING
- UTILITY PIPING
- TUBING - STAINLESS STEEL
- #- TUBING - NYLON
- HOSE (PRE-LUBE OIL, DRAIN)
- ELECTRICAL SIGNAL

TUBING COLOR CODE

- BK (BLACK) VENTS
- BL (BLUE) ESD, FIRE LOOP SIGNAL
- RD/ (RED/TAG #) CONTROL VALVE
- OR (ORANGE) INSTR GAS OVER 35Psi
- YL (YELLOW) INSTR GAS BELOW 35Psi
- OR (START) ENGINE START GAS
- YL (FUEL) ENGINE FUEL GAS
- BK (BLACK) ENGINE OIL
- BR (BROWN) COMPRESSOR OIL
- GR/WH (GREEN) MANIFOLD
- SS STAINLESS STEEL TUBING

OPT#	OPTIONS INCLUDED IN THIS DRAWING	PART#
205	2 STAGE UPGRADE	C336B
207	3 STAGE UPGRADE	C336B
210	AUTO BYPASS CONTROL	C336B
250	AUTO SUCTION CONTROL	C3381
302	AUTO BLOWDOWN	C3364B
310	ENGINE PRELUBE	C3350
440		C3366B
482		C3379B
483		C
484		C
485		C
622	BLOWCASE	C
626/626	INLET FILTER DP	C
777	FRAME PANEL	C3229B

NOTES:

1. ALL PROCESS CONNECTIONS ARE TO BE MADE USING ASTM A213/A289 316 SS FITTINGS AND FERRULES.
2. ENGINE OIL PRESSURE SWITCH CAN BE REPLACED BY A TRANSMITTER AS OPTION 777
3. ALL NYLON TUBING IS 1/4" UNLESS INDICATED OTHERWISE

LEGEND

1. — PANEL WIRING
2. — FIELD WIRING
3. ▲ UNFUSED TERMINAL
4. □ FUSED TERMINAL
5. ▲ FEED THROUGH TERMINAL
6. ▲ DISCONNECT TERMINAL

WIRE COLOR LEGEND

1. +24VDC: RED
2. -24VDC: YELLOW
3. SWITCHED: ORANGE
4. ANALOG INPUT/OUTPUT -: BLACK
5. ANALOG INPUT/OUTPUT +: WHITE
6. ANALOG LOOP: PURPLE

Rev.	Soft Rev.	Revision Description	By	Date	Checked	Aprvd
3		SHOP AS BUILT	BR	25.10.2004		
2		PANEL SHOP AS BUILT	BR	08.09.2004		
1		ISSUED FOR CONSTRUCTION	BR	31.08.2004		
0		ISSUED FOR APPROVAL	BR	26.08.2004		

Project Title

**FORT ENERGY
RC10239
LSD 15-10-62-6 W5M**

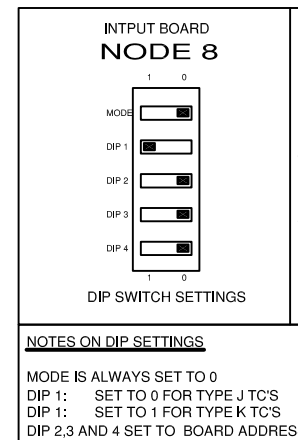
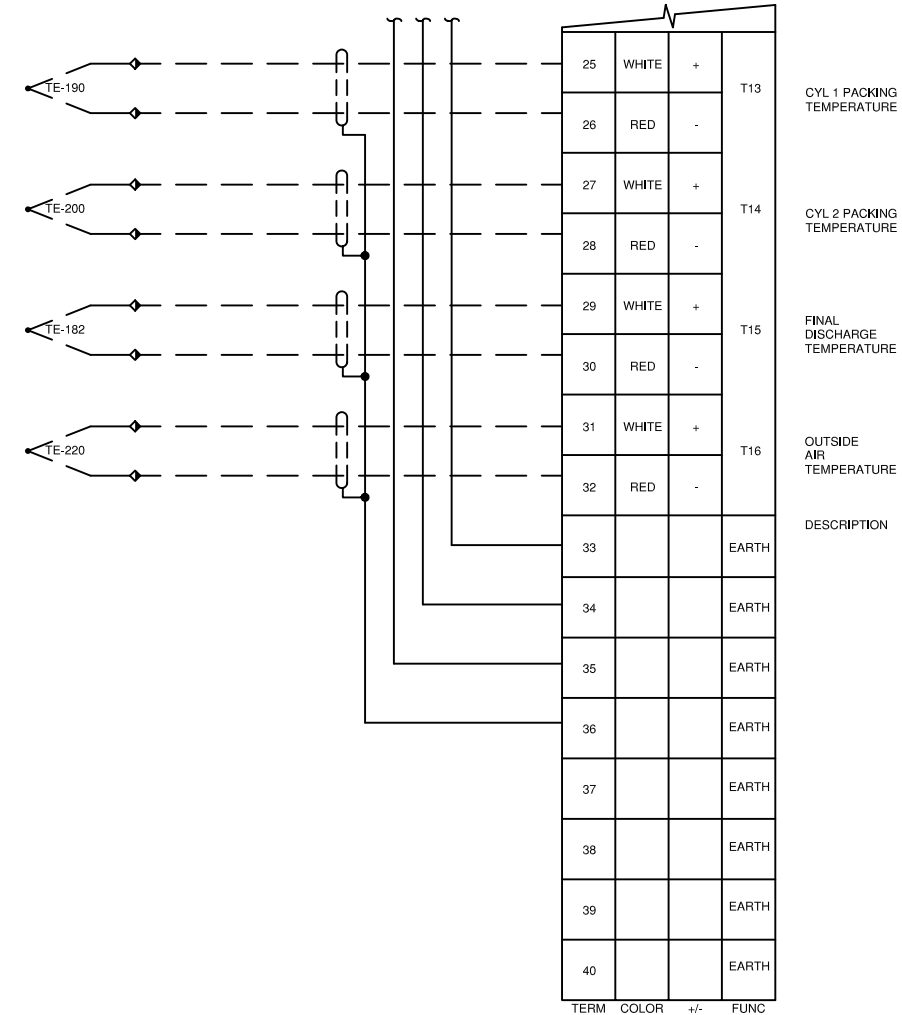
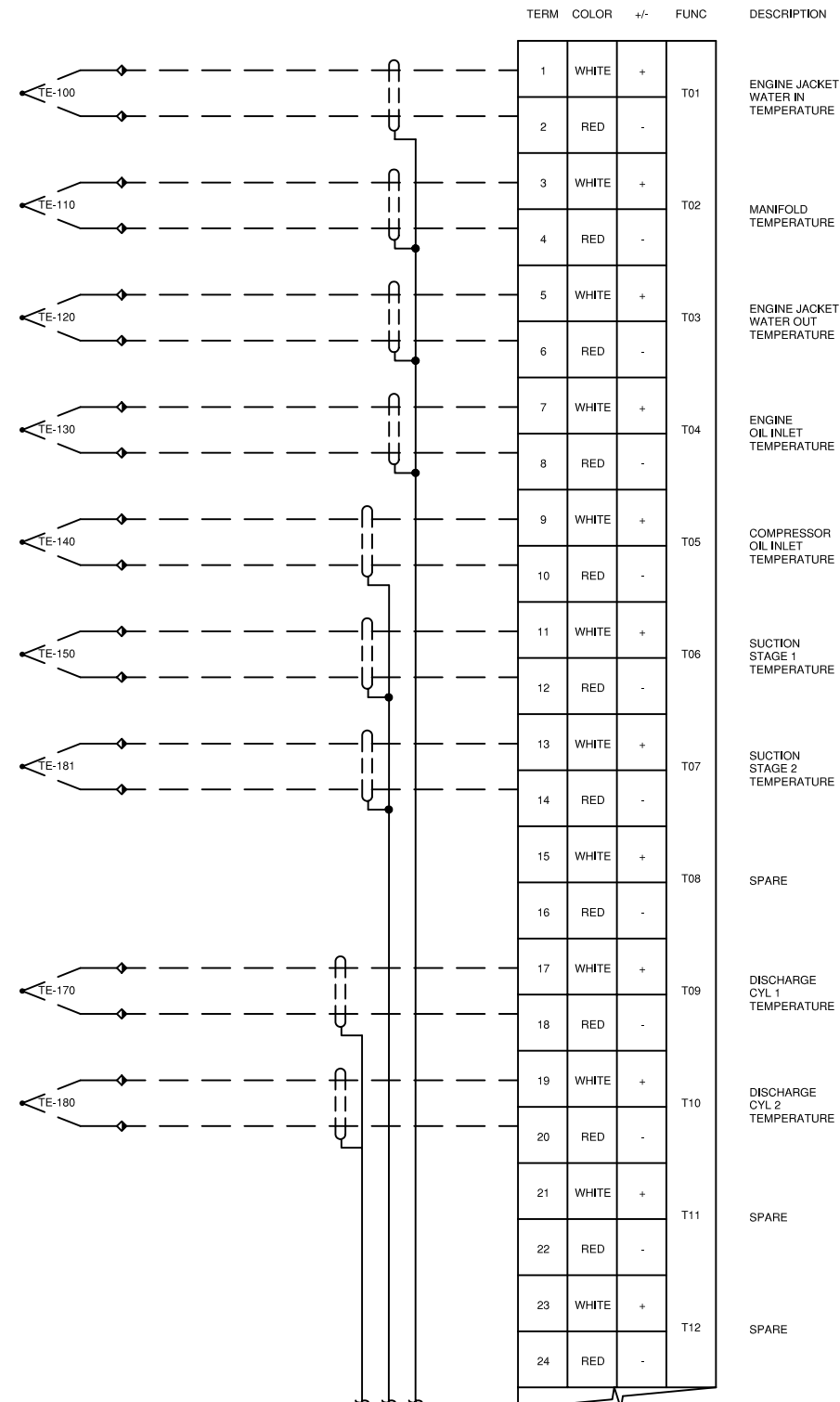
Drawing Title

**PNEUMATIC
LAYOUT DRAWING**

Syntech

Syntech Drawing Number	4190110-14	1 of 1
Customer Drawing Number	040575	NTS

THERMOCOUPLE BOARD #1



LEGEND

- PANEL WIRING
- FIELD WIRING
- UNFUSED TERMINAL
- FUSED TERMINAL
- FEED THROUGH TERMINAL
- DISCONNECT TERMINAL

WIRE COLOR LEGEND

- +24VDC: RED
- 24VDC: YELLOW
- SWITCHED: ORANGE
- ANALOG INPUT/OUTPUT -: BLACK
- ANALOG INPUT/OUTPUT +: WHITE
- ANALOG LOOP: PURPLE

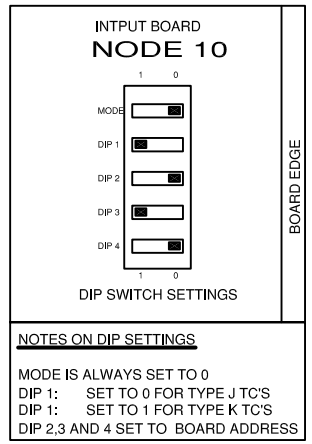
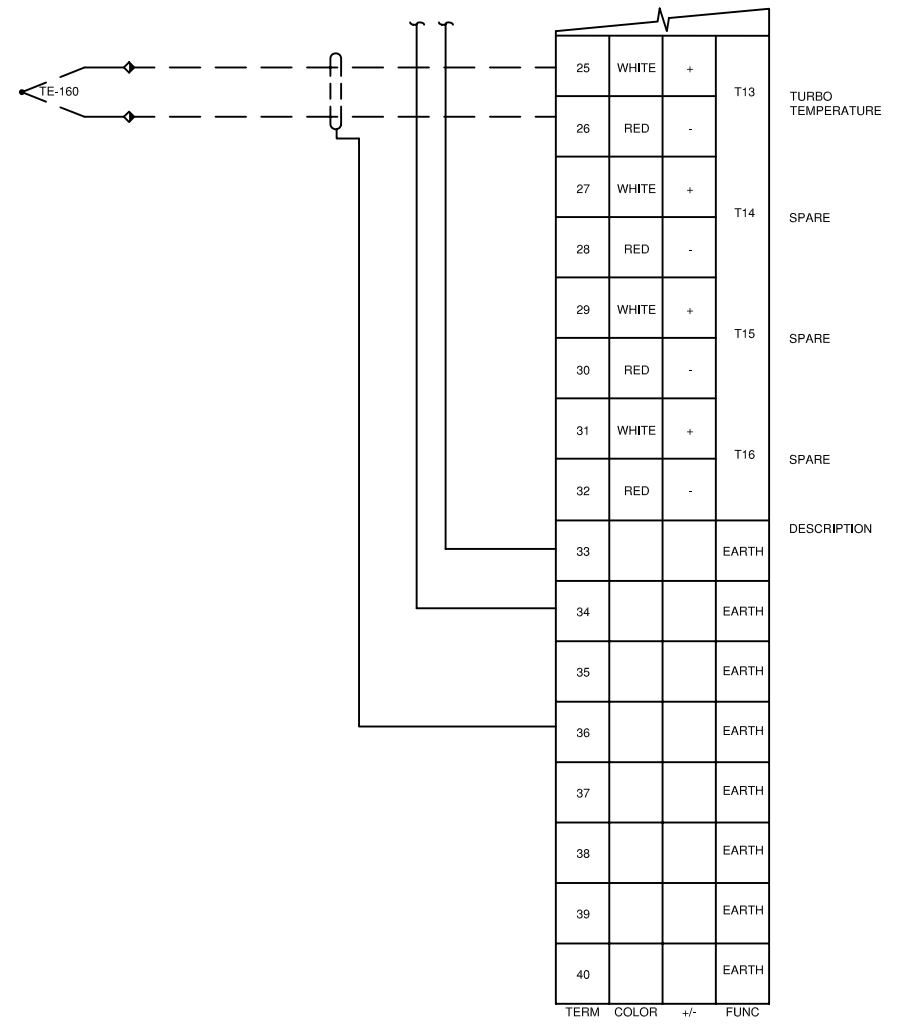
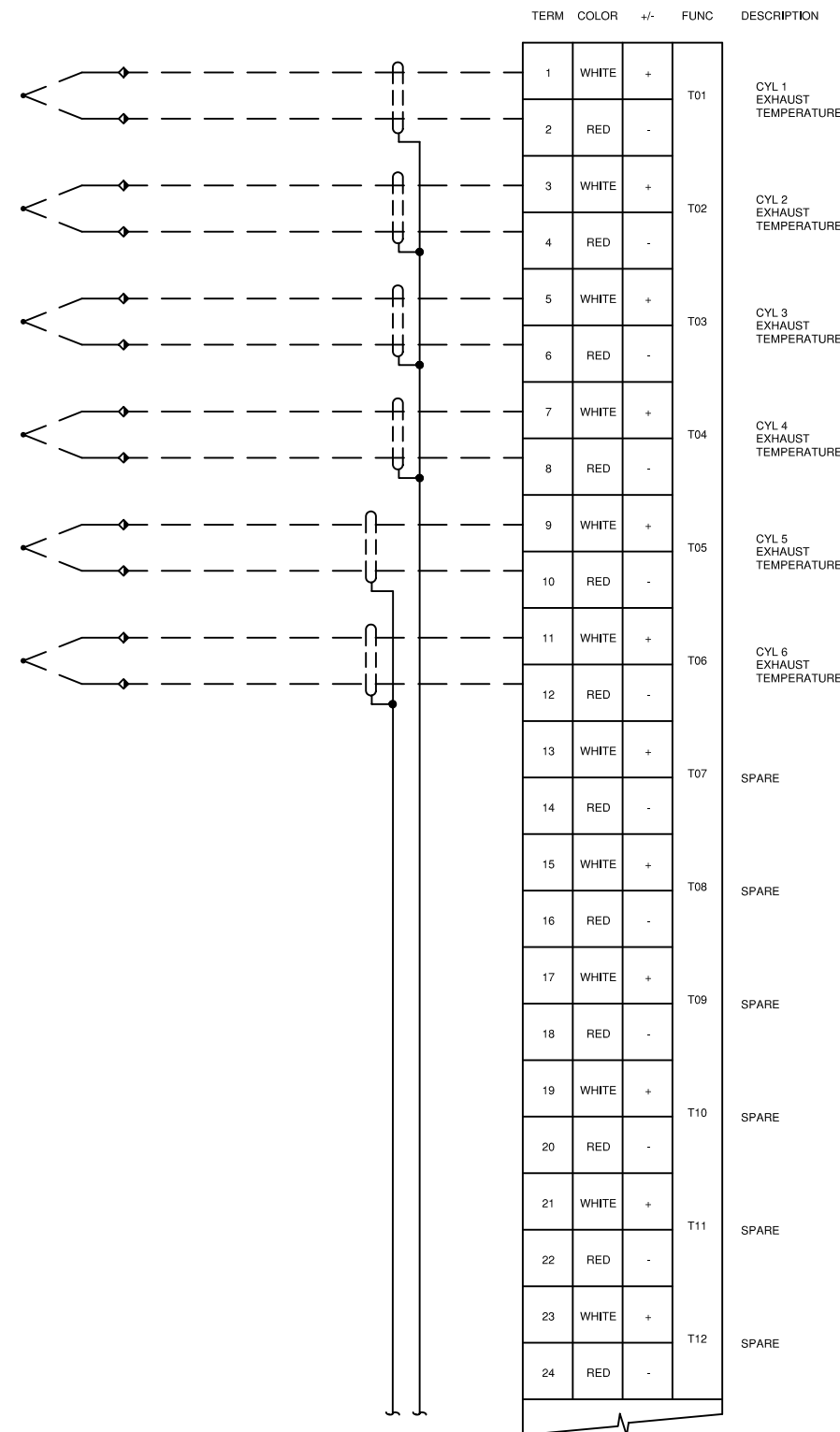
Rev.	Soft Rev.	Revision Description	By	Date	Checked	Aprvd
3		SHOP AS BUILT	BR	25.10.2004		
2		PANEL SHOP AS BUILT	BR	08.09.2004		
1		ISSUED FOR CONSTRUCTION	BR	31.08.2004		
0		ISSUED FOR APPROVAL	BR	26.08.2004		

Project Title	FORT ENERGY RC10239 LSD 15-10-62-6 W5M	
Drawing Title	INPUT BOARD #1 THERMOCOUPLE LAYOUT DRAWING	

Syntech

Syntech Drawing Number	4190110-15	1 of 1
Customer Drawing Number	040575	NTS

THERMOCOUPLE BOARD #2



LEGEND

1. PANEL WIRING
 2. FIELD WIRING
 3. UNFUSED TERMINAL
 4. FUSED TERMINAL
 5. FEED THROUGH TERMINAL
 6. DISCONNECT TERMINAL

WIRE COLOR LEGEND

1. +24VDC: RED
 2. -24VDC: YELLOW
 3. SWITCHED: ORANGE
 4. ANALOG INPUT/OUTPUT -: BLACK
 5. ANALOG INPUT/OUTPUT +: WHITE
 6. ANALOG LOOP: PURPLE

Rev.	Soft Rev.	Revision Description	By	Date	Checked	Aprvd
3		SHOP AS BUILT	BR	25.10.2004		
2		PANEL SHOP AS BUILT	BR	08.09.2004		
1		ISSUED FOR CONSTRUCTION	BR	31.08.2004		
0		ISSUED FOR APPROVAL	BR	26.08.2004		

Project Title

**FORT ENERGY
 RC10239
 LSD 15-10-62-6 W5M**

Drawing Title

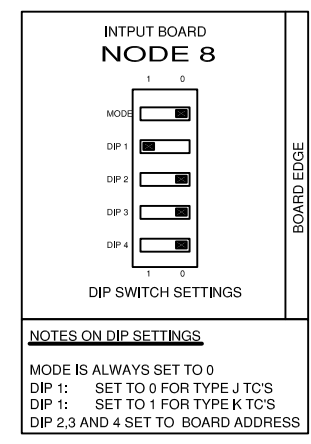
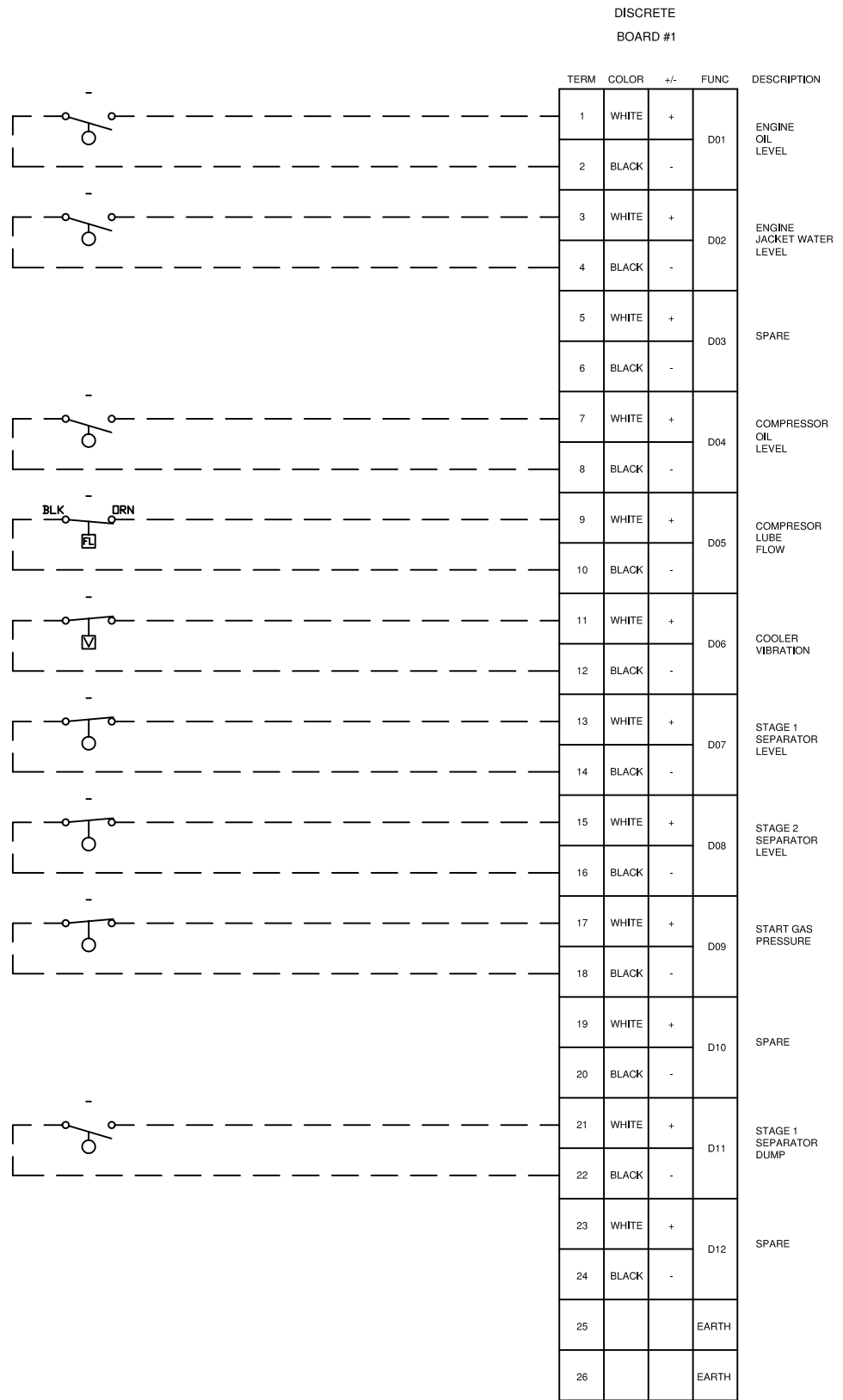
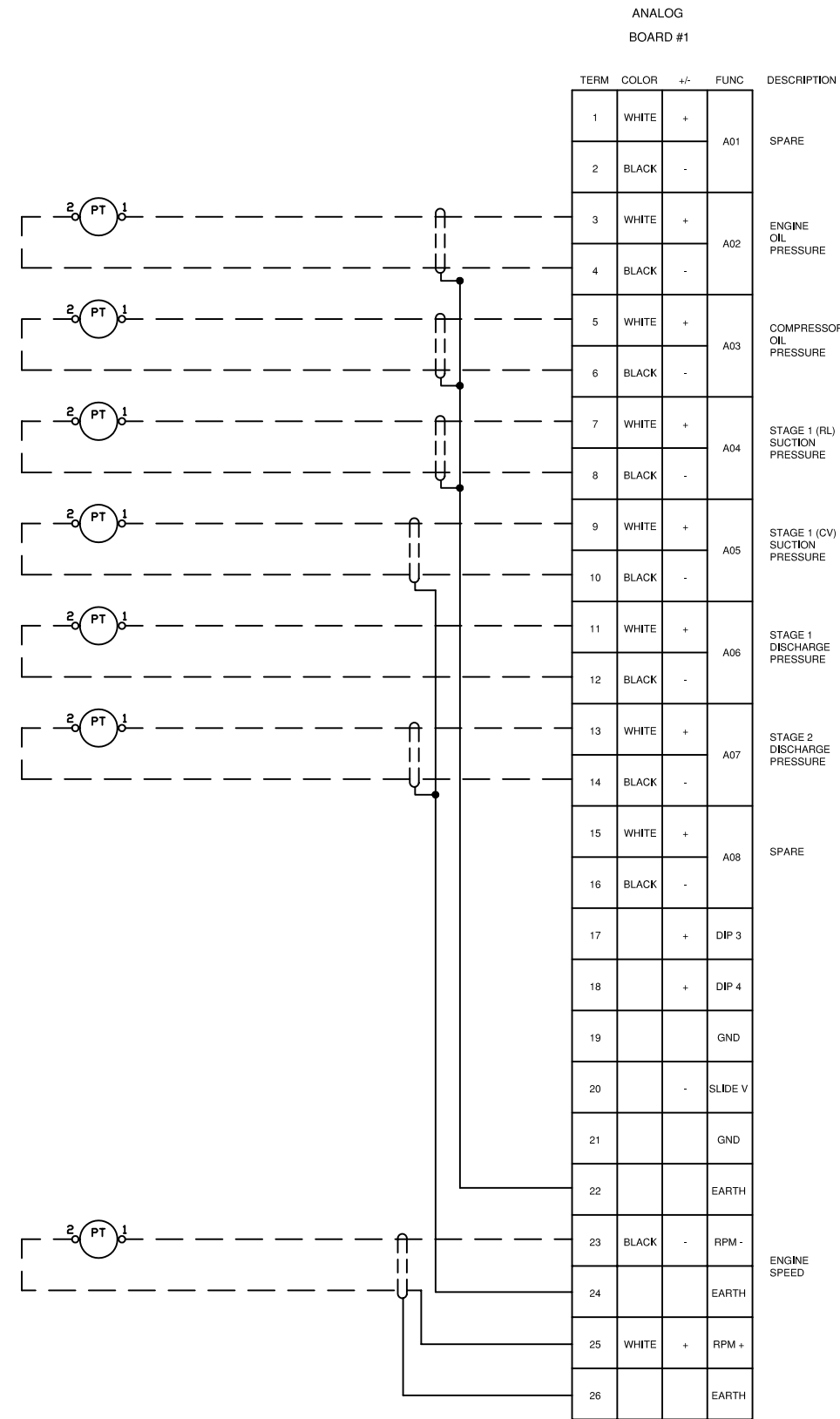
**INPUT BOARD #2
 THERMOCOUPLE LAYOUT DRAWING**

Syntech

Syntech Drawing Number: **4190110-16**

Customer Drawing Number: **040575**

1 of 1
 NTS



NOTES:
1. WHEN FIRE LOOP OPTION IS USED, TERMINATE TO BARRIER PSSL-900

LEGEND

1. ———	PANEL WIRING	1. +24VDC: RED
2. ———	FIELD WIRING	2. -24VDC: YELLOW
3. ▲	UNFUSED TERMINAL	3. SWITCHED: ORANGE
4. □	FUSED TERMINAL	4. ANALOG INPUT/OUTPUT - : BLACK
5. ▲	FEED THROUGH TERMINAL	5. ANALOG INPUT/OUTPUT + : WHITE
6. ▲	DISCONNECT TERMINAL	6. ANALOG LOOP: PURPLE

Rev.	Soft Rev.	Revision Description	By	Date	Checked	Aprvd
3		SHOP AS BUILT	BR	25.10.2004		
2		PANEL SHOP AS BUILT	BR	08.09.2004		
1		ISSUED FOR CONSTRUCTION	BR	31.08.2004		
0		ISSUED FOR APPROVAL	BR	26.08.2004		

Project Title

**FORT ENERGY
RC10239
LSD 15-10-62-6 W5M**

Drawing Title

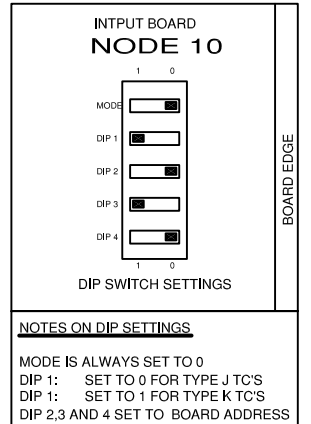
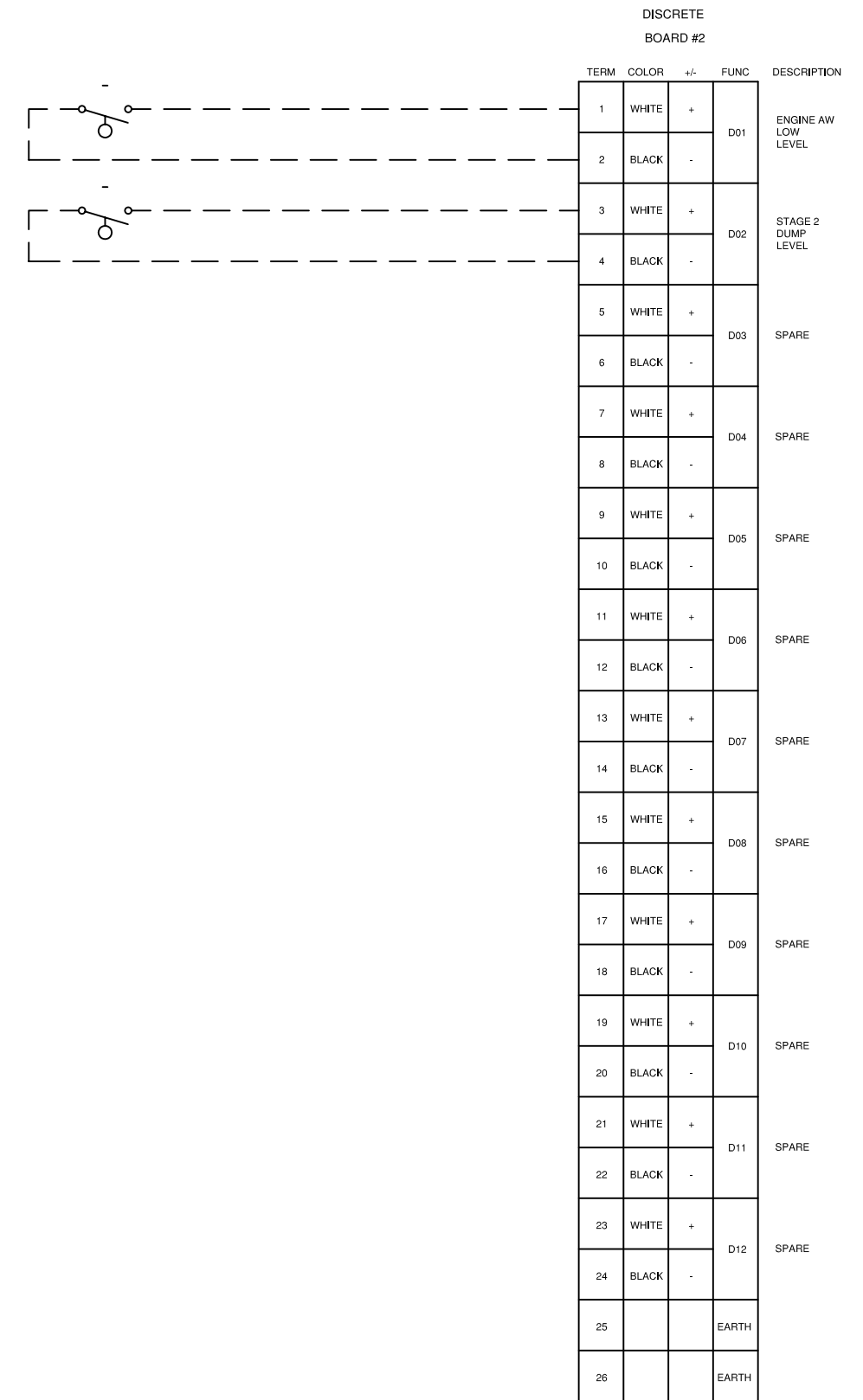
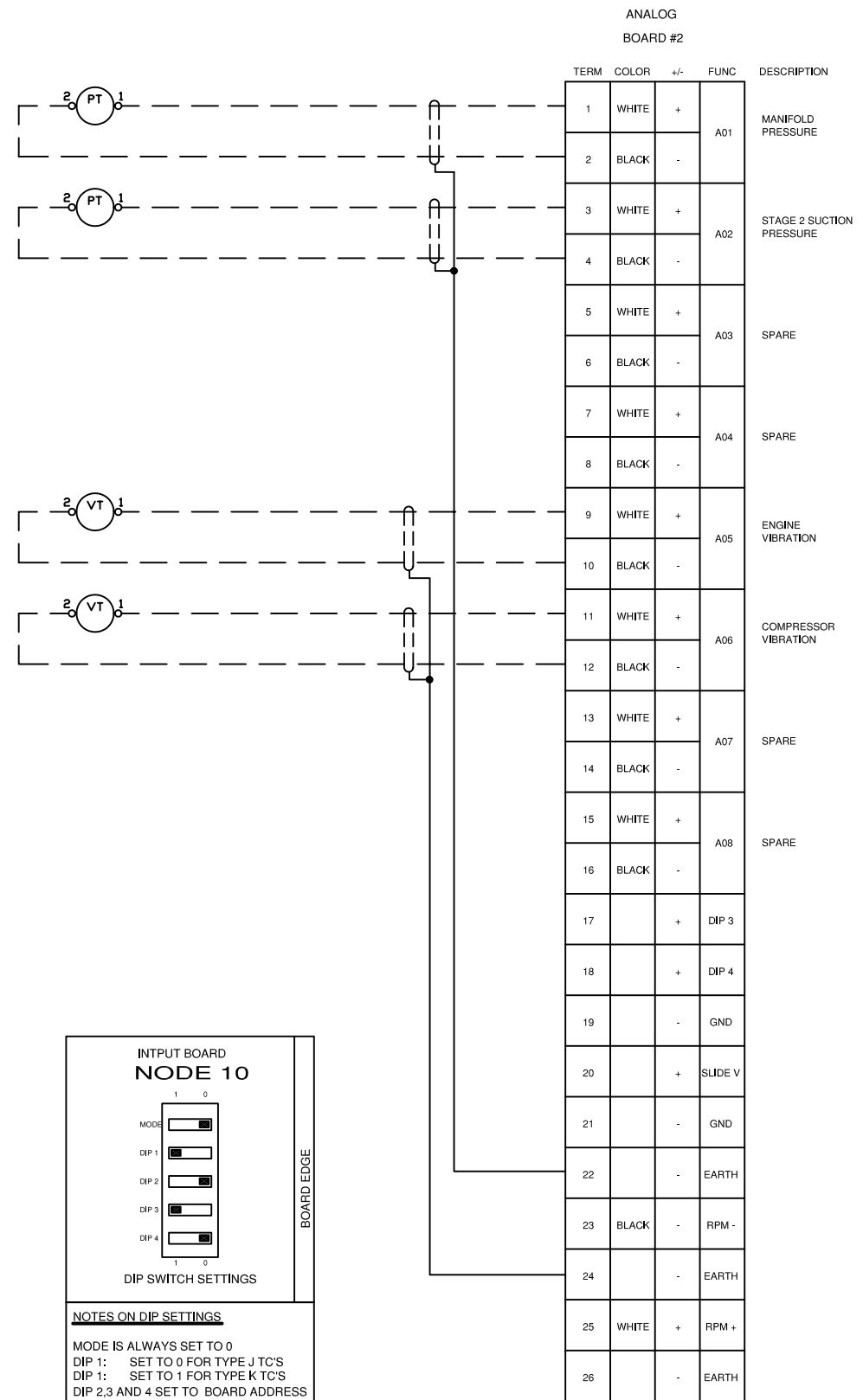
**INPUT BOARD #1
ANALOG / DISCRETE LAYOUT DRAWING**

Syntech

Syntech Drawing Number **4190110-17**

Customer Drawing Number **040575**

1 of 1
NTS



LEGEND	WIRE COLOR LEGEND
1. ——— PANEL WIRING	1. +24VDC: RED
2. - - - FIELD WIRING	2. -24VDC: YELLOW
3. ▲ UNFUSED TERMINAL	3. SWITCHED: ORANGE
4. □ FUSED TERMINAL	4. ANALOG INPUT/OUTPUT - : BLACK
5. △ FEED THROUGH TERMINAL	5. ANALOG INPUT/OUTPUT + : WHITE
6. ⊠ DISCONNECT TERMINAL	6. ANALOG LOOP: PURPLE

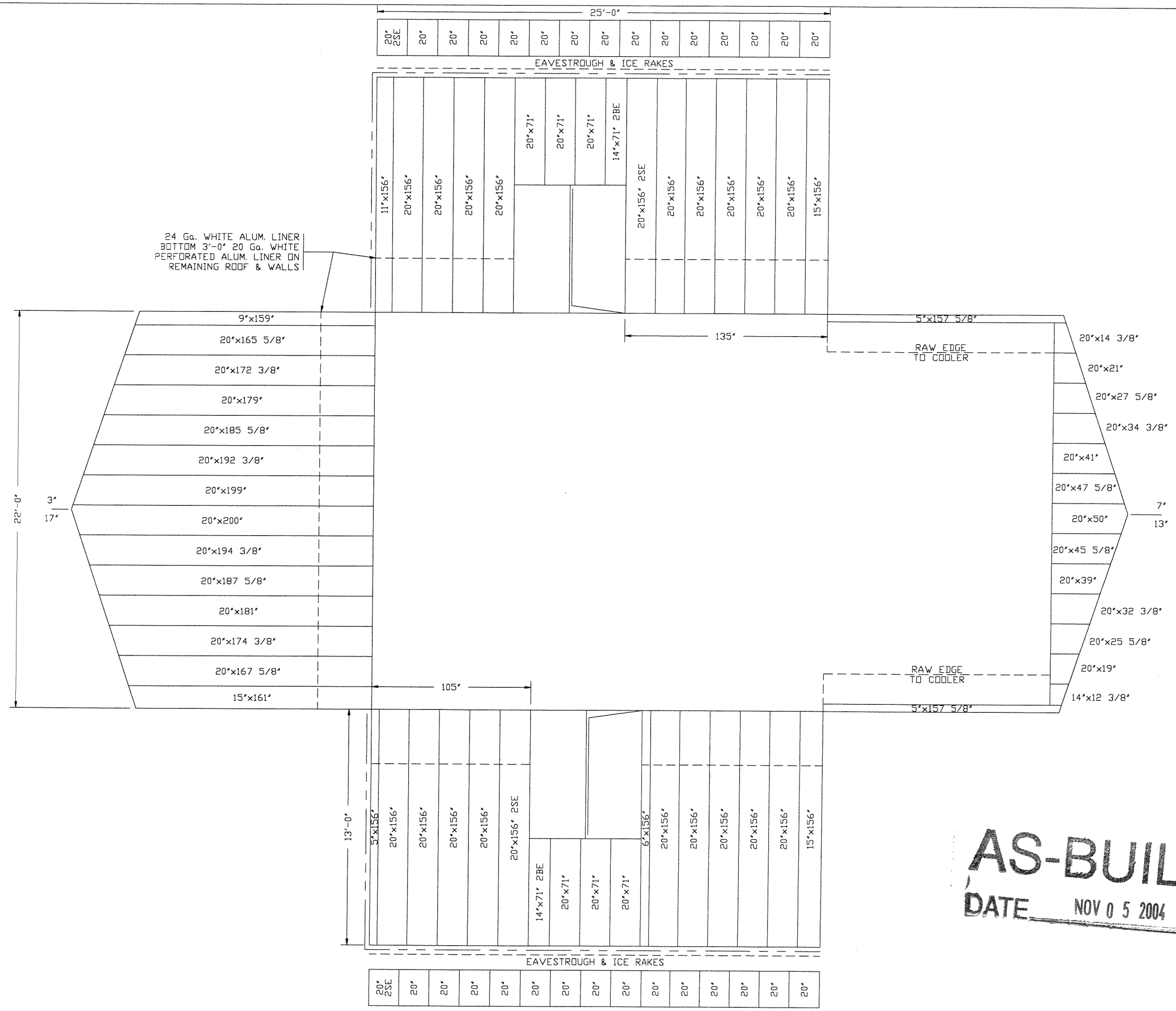
Rev.	Soft Rev.	Revision Description	By	Date	Checked	Aprvd
3		SHOP AS BUILT	BR	25.10.2004		
2		PANEL SHOP AS BUILT	BR	08.09.2004		
1		ISSUED FOR CONSTRUCTION	BR	31.08.2004		
0		ISSUED FOR APPROVAL	BR	26.08.2004		

Project Title	FORT ENERGY RC10239 LSD 15-10-62-6 W5M
Drawing Title	INPUT BOARD #2 ANALOG / DISCRETE LAYOUT DRAWING

Syntech

Syntech Drawing Number **4190110-18** 1 of 1

Customer Drawing Number **040575** NTS



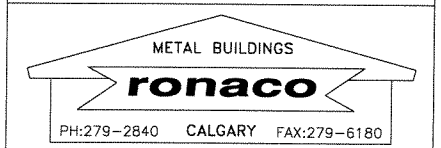
AS-BUILT
DATE NOV 05 2004

Specifications

DESIGN SNOW LOAD =	Kpa
DESIGN WIND LOAD =	Kpa
BUILDING WEIGHT =	Lbs
GABLE BUILDING	
EXT DIM :	22' x 25' x 13' 4:12 SLOPE
EXT WALL :	22 GA. GALVINIZED STONE GREY - QC 305
EXT ROOF :	22 GA. GALVINIZED STONE GREY - QC 305
EXT TRIM :	22 GA. GALVINIZED STONE GREY - QC 305
INT LINER :	20 ga. PERF. WHITE ABOVE 3'-0"
WALL INSU :	3" 1240 Bd.
ROOF INSU :	3" 1240 Bd.
VAPOR BARR :	N/A

Man Doors
6' x 7' DOOR, R.H. ACTIVE, Qty = 1
6' x 7' DOOR, L.H. ACTIVE, Qty = 1

Seal

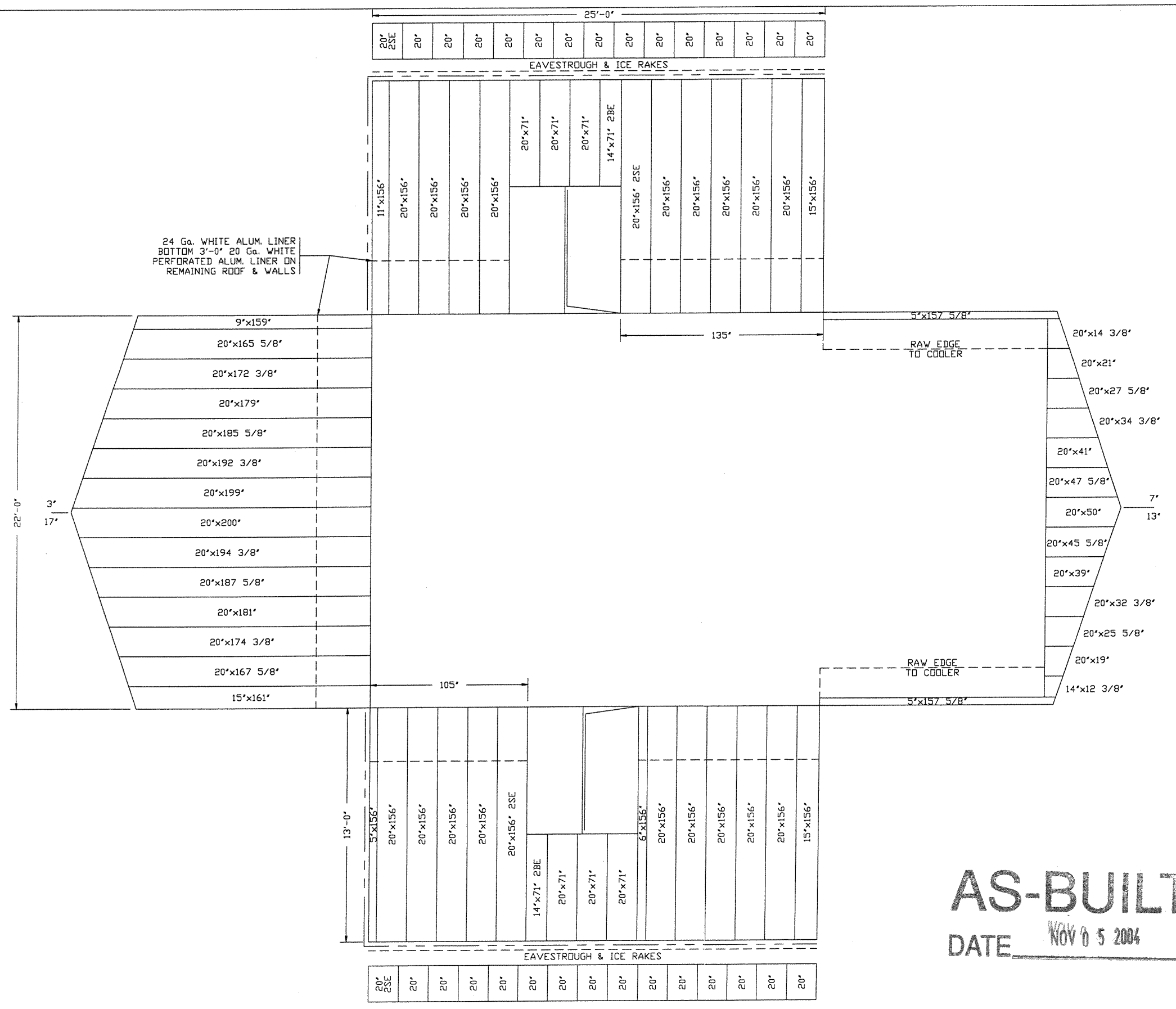


Customer NOISE SOLUTIONS INC.

Project BUILDING LAYOUT
ENERFLEX COMPRESSOR

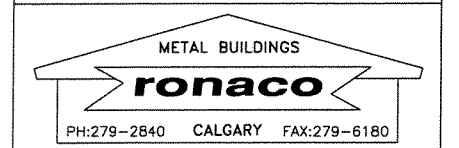
Location CALGARY 040575

Dwn.by J.C.R.	Date 27/09/04	Job no. 4894	Dwg.no. 01	Rev. A
Cch'k'd by	Scale 3/16" = 1'			



Specifications
 DESIGN SNOW LOAD = Kpa
 DESIGN WIND LOAD = Kpa
 BUILDING WEIGHT = Lbs
 GABLE BUILDING
 EXT DIM : 22' x 25' x 13' 4:12 SLOPE
 EXT WALL : 22 GA. GALVANIZED STONE GREY - OC 305
 EXT ROOF : 22 GA. GALVANIZED STONE GREY - OC 305
 EXT TRIM : 22 GA. GALVANIZED STONE GREY - OC 305
 INT LINER : 20 ga. PERF. WHITE ABOVE 3'-0"
 WALL INSU : 3" 1240 Bd.
 ROOF INSU : 3" 1240 Bd.
 VAPOR BARR : N/A
 Man Doors
 6' x 7' DOOR, R.H. ACTIVE, Qty = 1
 6' x 7' DOOR, L.H. ACTIVE, Qty = 1

Seal



Customer		NOISE SOLUTIONS INC.		
Project		BUILDING LAYOUT ENERFLEX COMPRESSOR		
Location		CALGARY 040574		
Dwn. by	Date	Job no.	Dwg. no.	Rev.
J.C.R.	27/09/04	4894	01	A
Cchk'd by	Scale			
	3/16" = 1'			

AS-BUILT
 DATE NOV 0 5 2004