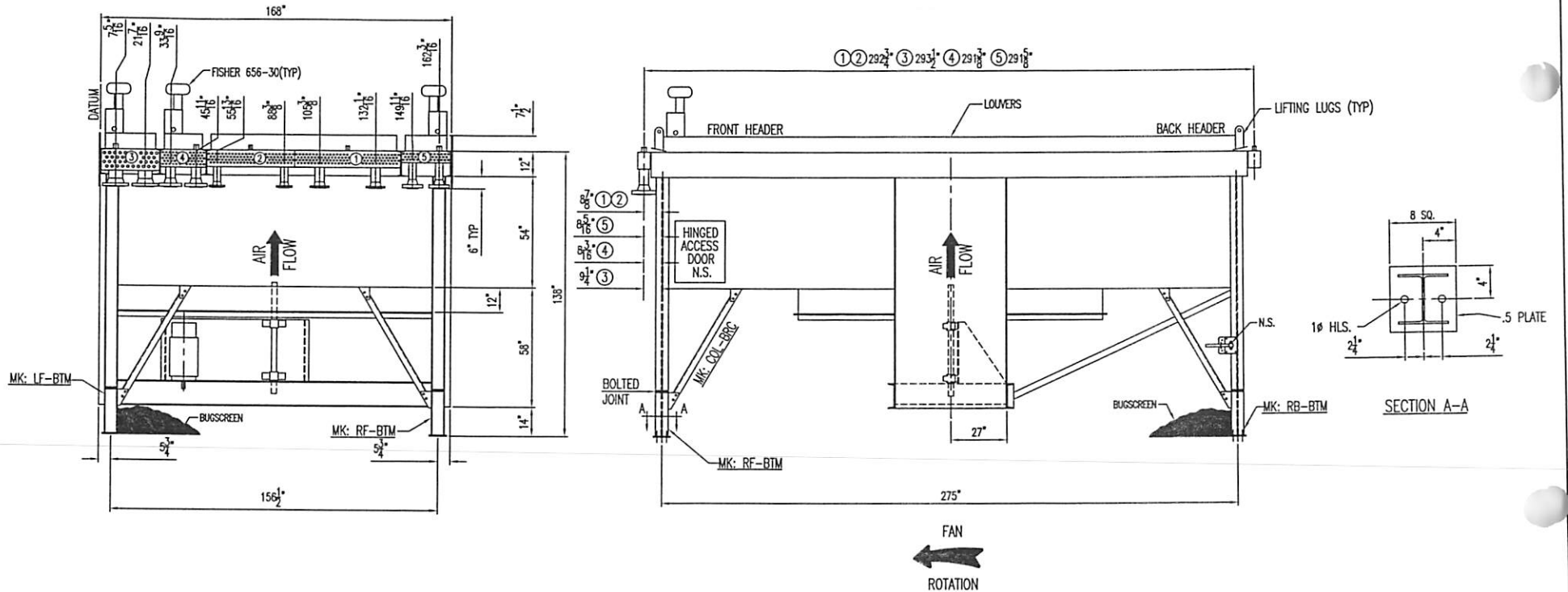



ITEM	SERVICE	MAWP	CODE	NOZZLES		COUPLING	REF. DIMENSION		LOUVERS	BUG SCREEN	DRIVE	FAN	FINISH
				INLET	OUTLET	VENT/TEMP	B	C					
1	EJW (COMBINED) 60 GALS	14 PSI @ 300/-20°F	NONE	4-150 RFWN	4-150 RFWN	1-3000	-	-	MANUAL W/INT DISCHARGE GD	YES	ELECTRIC MOTOR DRIVE SHEAVES, BELTS, AND GUARDS BY AIR-X-HEMPHILL 60 HP, 1800 RPM, 3P, 60 HZ, 460V, TEFC, VFD COMP. ELECTRIC MOTOR (CSA)	156# MOORE 10K, 60 VT HD 10-BLADE 9" PA, LH ROTATION 260 RPM @ 50.6 HP REQ'D	STRUCTURE STD. PRIMER W/ WARM GRAY ENAMEL TOP COAT
2	AUX-W (COMBINED) 51 GALS	14 PSI @ 300/-20°F	NONE	3-150 RFWN	3-150 RFWN	1-3000	-	-					
3	IC-1	645 PSI @ 350/-20°F	ASME	6-300 RFWN	6-300 RFWN	1-6000	-	-	AUTO				
4	IC-2	1292 PSI @ 350/-20°F	ASME	4-600 RFWN	4-600 RFWN	1-6000	-	-	AUTO				
5	AC	1440 PSI @ 350/-20°F	ASME	3-900 RFWN	3-900 RFWN	1-6000	-	-	AUTO				

W/ INT. DISCHARGE GD



RELEASED
FABRICATION OF THIS
ORDER HAS BEGUN

						FOR: TOROMONT ENERGY	ESTIMATED DRY WEIGHT 27,000#
						P.O. NO: 75-11610	
						CUST. TAG NUM: 31681-84	
						USER: TRIDENT EXPLORATION	CERTIFIED DRAWING FOR:
						JOB SITE: ALBERTA, CANADA	MODEL 156 ZF QTY 4
						JOB NO: 65317	- DWG. NO. 65317-CRT
						WORK ORDER NO: -	SCALE: FULL DATE: 05/18/06
						DR: MIKE DATE: 05/18/06	REV 0
						CK: L.W. DATE: 05/18/06	
REV		REVISION DESCRIPTION	BY	CK	APP	DATE	