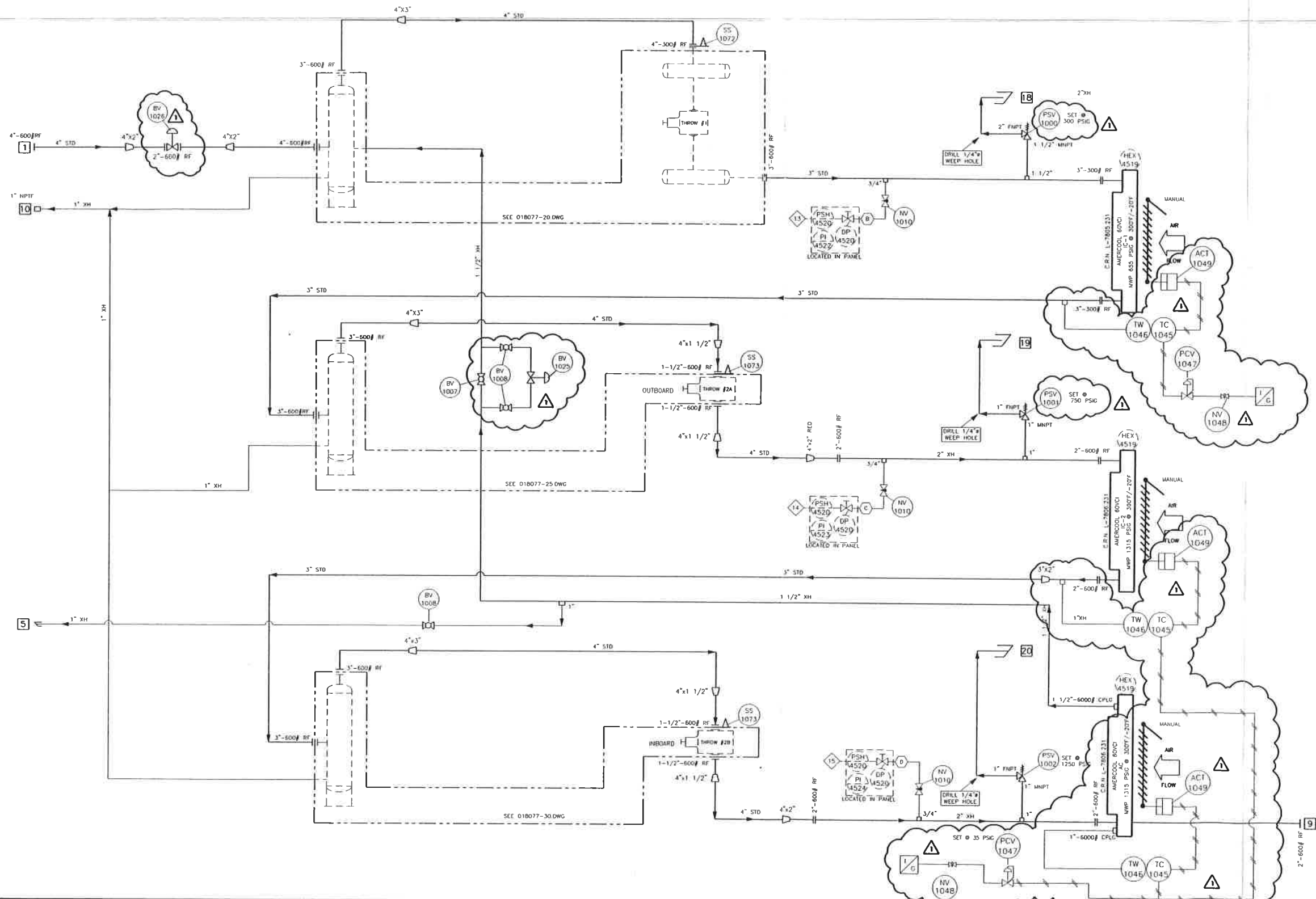


DT DATE: 26 SEPT

M:\WO\018077\F&I\018077-10.DWG



**BILL OF MATERIAL**

NOTE: ITEM No. = FIRST TWO DIGITS (Operation No.), LAST TWO DIGITS (Item No.)

ITEM	PART NO.	TOTAL QUANTITY	DESCRIPTION	REV
1000	808-8735	1.00 EA	VALVE RELIEF TAYLOR, 300-PSI, MODEL B200 - DISK, 1" MNPT X 2" FNPT, CS BODY, 3/4 ORIFICE - SS TRIM	
1001	812-9802	1.00 EA	VALVE RELIEF TAYLOR, 82-4735131, 1" MNPT X 1" FNPT, 700-1200PSI, 1/2" ORIFICE - 20/4007, CS BODY, SET @ 750 PSIG	
1002	808-0921	1.00 EA	VALVE RELIEF TAYLOR, 1250-PSI, MODEL B200 - DISK, 1" MNPT X 3" FNPT, CS BODY, 1/2 ORIFICE - SS TRIM	
1007	813-7260	1.00 EA	VALVE BALL SCR, 1.50-1500, MERID, R PORT, LOCKING HANDLE, NACE, MODEL M22CR	
1008	813-7218	3.00 EA	VALVE BALL SCR, 1-2000, MERID, R PORT, LOCKING HANDLE, NACE, MODEL M22CR	
1010	813-5928	3.00 EA	VALVE NEEDLE CM2-1-MEAT-B-N-1", CENTURY, 0.75" MX 0.5" T, 316SS, NACE, TEFLOM PACKED	
1025	813-9288	1.00 EA	VALVE CONTROL FISHER, 357-8110, 1" NPT WCC, 1/2" ORIFICE NACE, 540, SIZE 40 ACTUATOR, FAIL OPEN	
1026	813-9687	1.00 EA	VALVE CONTROL FISHER, 667-ET-40, 2"-600RF, SIZE 40 ACTUATOR, COMPLES TO NACE, FAIL CLOSED, E-30 PS	
1045	801-4531	3.00 EA	CONTROL TEMP, KIMRAY, HT-12, 316SS FOR HT-12 & T-12, KIMRAY TEMPERATURE CONTROLLERS	
1046	807-8088	3.00 EA	THERMOWELL, KIMRAY, 1X0, SOX12, 1/4" NPT, 5-35 PSI RANGE, SET @ 20 PSIG	
1047	803-0105	2.00 EA	REGULATOR FISHER, 67CFR-362, 1/4" NPT, 5-35 PSI RANGE, SET @ 20 PSIG	
1048	803-0592	2.00 EA	VALVE NEEDLE CM2-3-F22T-B-V, CENTURY, 0.25" F x F, CS, 6000PSI, 6" STROKE, E-30 PS	
1049	809-4640	3.00 EA	ACTUATOR, GARZO, 501-6-6-30, 6" STROKE, E-30 PS	
1072	800-8884	1.00 EA	SCREEN SUCTION, CS, 4-300, 150%, RF, CONE STD, XH PIPE	
1073	803-9892	2.00 EA	SCREEN SUCTION, CS, 1.5-600, 150%, RF, CONE STD, XH PIPE	

CUSTOMER CONNECTIONS			PACKAGE CONNECTIONS		
TAG	DESCRIPTION	SIZE	TAG	DESCRIPTION	SIZE
1	PROCESS GAS INLET	4"-600 RF	5	BLOWDOWN VENT	1" FNPT
9	FINAL DISCHARGE	2"-600 RF	18	STAGE 1 PSV VENT	2" DIA
10	SCRUBBER DRAIN HEADER	1" FNPT	19	STAGE 2 PSV VENT	1" DIA
			20	STAGE 3 PSV VENT	1" DIA

- GENERAL NOTES**
- PROCESS INSTRUMENT LINES: 316SS TUBING c/w 1/4" SWAGelok, 316SS FITTINGS & 316SS FERRULES.
  - UTILITY INSTRUMENT LINES: 316SS TUBING c/w 3/8" SWAGelok, CAD PLATED FITTINGS & 316SS FERRULES.
  - INSTRUMENT MEDIUM: CLEAN, DRY GAS.
  - ALL PIPING 2" AND UNDER TO BE XH MINIMUM.
  - ALL FITTINGS TO BE 3000# RATING UNLESS OTHERWISE NOTED.
  - CORROSION ALLOWANCE: 1/16".
  - INSTRUMENT TAGS REQUIRED:  YES  NO
  - PAINT (1) COAT: UNIVERSAL COMPRESSION STANDARD COLOR: SAPPHIRE BLUE
  - ALL PSV EXHAUST PIPES TO HAVE 1/4" WEEP HOLE IN TRAP AREAS
  - AREA CLASSIFICATION: CLASS 1 DM 2 BY ENTELA
  - CONDUIT TYPE: GALVANIZED CONDUIT

THIS DOCUMENT IS SUPPLIED IN CONFIDENCE. REPRODUCTION OR DISTRIBUTION IN WHOLE OR PART WITHOUT THE WRITTEN PERMISSION OF UNIVERSAL COMPRESSION SERVICES IS STRICTLY PROHIBITED.

REV	BY	CHK'D	REVISION DESCRIPTION	DATE
1	KMB	BM	ADDED AUTO SUCTION, BYPASS, & LOUVERS, CHANGED STG #1 & #2 PSV SETTINGS	24 SEPT 01
0	KMB	BM	ISSUED FOR FABRICATION	17 MAY 01

**UNIVERSAL COMPRESSION**  
 4949 - 76th Avenue S.E., 403/236-5252 Main  
 P.O. Box 5308, Station 44, 800/861-5252 Toll Free  
 Calgary, Alberta, Canada T2H 1X6 403/236-4261 Fax

TITLE: PROCESS & INSTRUMENTATION DIAGRAM  
 GEMINI H302 (109.0' x 105.5' x 104.0'), CAT 3406NA, AMERCOOL 60VCI 215-35TG COMPRESSOR PACKAGE

END USER/CONSULTANT: KAISER ENERGY LTD.  
 LOCATION: TBA  
 DRAWN: K. BUCK  
 DATE: 02 DEC 00  
 CHK'D: B. MINSHULL  
 PROJ CO: B. MINSHULL

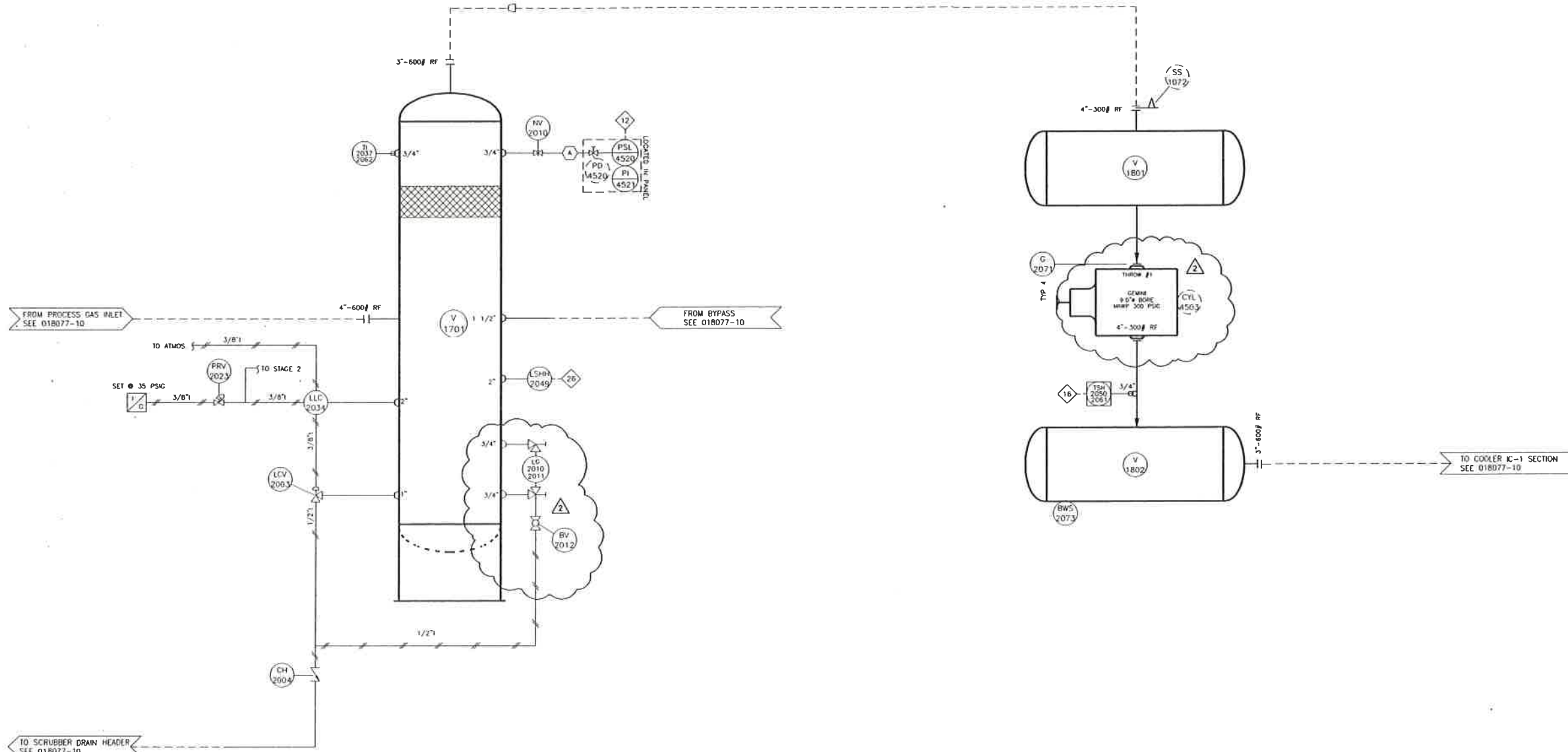
CUST. P.O. No.:  
 REVISION: 1  
 DWG REFERENCE: 215-35TG-10 Rev.D  
 Dwg. No.: 018077-10  
 (SHEET 1 OF 1)

Plot of 03-58 Aug. 03, 2001

**V-1701**  
 STG #1 SUCTION SCRUBBER  
 12 3/4" O.D. x 48" S/S  
 D.P. = 1290 PSIG @ 350F/-20F  
 P/N: 804-7375-2

**V-1801**  
 STG #1 SUCTION BOTTLE  
 12 3/4" O.D. x 20" S/S  
 D.P. = 548 PSIG @ 300F/-20F  
 P/N: 808-8396

**V-1802**  
 STG #1 DISCHARGE BOTTLE  
 10 3/4" O.D. x 18" S/S  
 D.P. = 655 PSIG @ 300F/-20F  
 P/N: 815-7029



**BILL OF MATERIAL**

NOTE: ITEM No. = FIRST TWO DIGITS (Operation No.), LAST TWO DIGITS (Item No.)

ITEM	PART NO.	TOTAL QUANTITY	DESCRIPTION	REV
1701	804-7375-2	1.00 EA	SCRUBBER, 12 7500X48 GEMINI FOR GEMINI 145HP TRAILER, DESIGN PRESS 1290 PSI, DESIGN TEMP: 350 DEG F, MAMP: 1290 PSI @ 350 F, MDMT: -20 F @ 1290 PSI, C.A.: 0.125", N1: 4-600#RFWN, N2: 3-600#RFWN, CRN: P-3807-213	
1801	808-8396	1.00 EA	BOTTLE SUCT, 12 7500X20 GEMINI, DESIGN PRESS: 548 PSIG, DESIGN TEMP: 300 F, MDMT: -20 F @ 548 PSIG, C.A.: 0.0625", N1: 4-300#RFWN, N2: 4-300#RFWN, CRN: L-3924-231	
1802	815-7029	1.00 EA	BOTTLE DISCH, 10 7500X18 GEMINI, DESIGN PRESS: 655 PSIG, DESIGN TEMP: 300 F, MDMT: -20 F @ 655 PSIG, C.A.: 0.0625", N1: 4-300#RFWN, N2: 3-600#RFWN, CRN: P-0818-2	
2003	813-4209	1.00 EA	VALVE, DUMP, MURPHY, DV850, SOUR	
2004	807-8185	1.00 EA	VALVE, CHECK, PIST, SCR, 1-600	
2010	810-0163	1.00 EA	VALVE, NACE, FIS-2034B-26NB, NACE, PENBERTHY, P/N 64810-550, 0.5" NPT(FRIGID) - GAUGE CONN, 0.5" NPTM - VESSEL CONN, 0.5" NPTF - VENT-DRAIN CONN	
2011	800-6732	1.00 EA	GAUGE, LEVEL, PENBERTHY, TRM6, NACE	
2012	813-5928	1.00 EA	VALVE, NEEDLE, CM2-1-M641-D-N-1*, CENTURY, 0.75 MKD 5" F, 316SS, NACE, TEFLON, PACKED	
2013	813-7194	1.00 EA	VALVE, BALL, SCH, 0.5-2000, MERID, 8 PORT, LOCKING, HANDLE, NACE, MODEL M22CR	
2023	803-0105	1.00 EA	REGULATOR, FISHER, 67CFR-362, 1/4" NPT, 5-35 PSI RANGE, SET @ 35 PSIG	
2034	807-6905	1.00 EA	CONTROL LEVEL, MURPHY, L1200M-DVO, MODEL L1200M-DVO-SS-SF NACE, 2" NPT, c/w DUMP VALVE OPERATOR	
2037	804-0246	1.00 EA	GAUGE, TEMP, 0-250F, TRENDS, 33040*, DUAL SCALE, 30455, 3" DIAL, 4" STEM, BACK CONNECTED, NO RESET	
2049	807-6888	1.00 EA	SWITCH, LEVEL, MURPHY, L1200SS-SF, NACE-SS BODY & FLOAT, 2" NPT	
2050	803-9876	1.00 EA	SWITCH, TEMP, MURPHY, 5DB-50DEX, 100-500F, EXPLOSION PROOF	
2061	802-9021	1.00 EA	THERMOWELL, MURPHY, 75X0 5X3 25, 0.514" BORE, 304SS	
2062	805-6144	1.00 EA	THERMOWELL, 0.25X0 50X4, 0.260" BORE, 304SS, 2.5" INSERTION LENGTH	
2071	800-2609	3.00 EA	GASKET, FLEX, 4-300RF, CHLORO**, CARB, 316SS	

CUSTOMER CONNECTIONS			PACKAGE CONNECTIONS		
TAG	DESCRIPTION	SIZE	TAG	DESCRIPTION	SIZE

- GENERAL NOTES**
- PROCESS INSTRUMENT LINES: 316SS TUBING c/w 1/4" SWAGelok 316SS FITTINGS & 316SS FERRULES
  - UTILITY INSTRUMENT LINES: 316SS TUBING c/w 3/8" SWAGelok CAD PLATED FITTINGS & 316SS FERRULES
  - INSTRUMENT MEDIUM: CLEAN, DRY GAS.
  - ALL PIPING 2" AND UNDER TO BE XH MINIMUM.
  - ALL FITTINGS TO BE 3000# RATING UNLESS OTHERWISE NOTED.
  - CORROSION ALLOWANCE: 1/16"
  - INSTRUMENT TAGS REQUIRED:  YES  NO
  - PAINT (1) COAT: UNIVERSAL COMPRESSION STANDARD COLOR: SAPHIRE BLUE
  - ALL PSV EXHAUST PIPES TO HAVE 1/4" WEEP HOLE IN TRAP AREAS
  - AREA CLASSIFICATION: CLASS 1 DIV 2 BY ENTELA
  - CONDUIT TYPE: GALVANIZED CONDUIT

**STAMP AREA**

THIS DOCUMENT IS SUPPLIED IN CONFIDENCE. REPRODUCTION OR DISTRIBUTION IN WHOLE OR PART WITHOUT THE WRITTEN PERMISSION OF UNIVERSAL COMPRESSION SERVICES IS STRICTLY PROHIBITED.

2	KMB	CHANGED CYLINDER FROM 7.5" TO 9.0"	26 SEPT 01
1	KMB	BM REVISD SCRUBBER NO. AND DESCRIPTION	03 AUG 01
0	KMB	BM ISSUED FOR FABRICATION	17 MAY 01
REV	BY	CHK D	REVISION DESCRIPTION

**UNIVERSAL COMPRESSION**  
 4949 - 76th Avenue S.E. 403/236-5252 Main  
 P.O. Box 5308, Station 'A' 800/661-5252 Toll Free  
 Calgary, Alberta, Canada T2H 1X6 403/236-4261 Fax

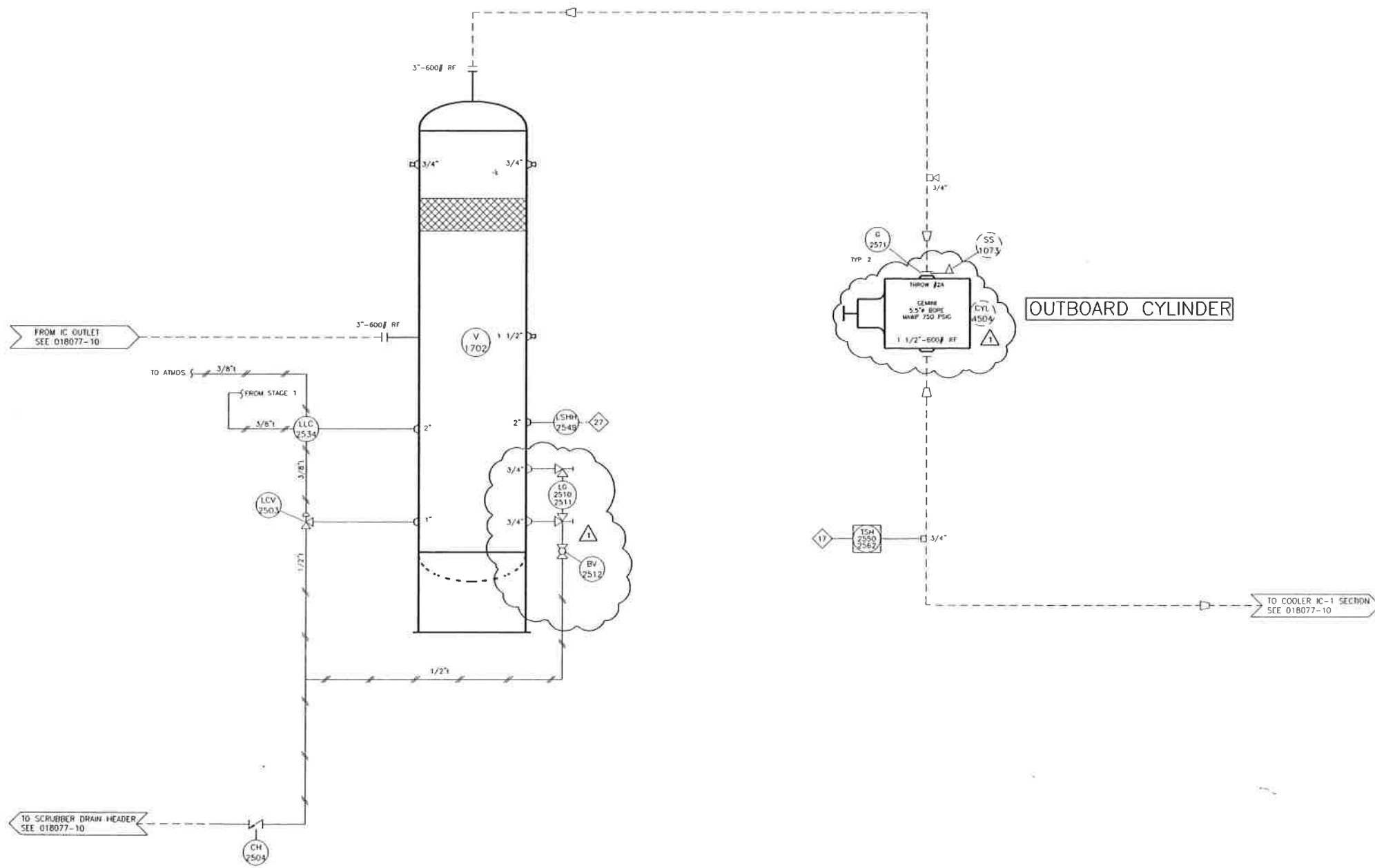
TITLE: **STAGE ONE PRESSURE VESSEL SYSTEM**  
 GEMINI H302 (109.0", 105.5" & 104.0"), CAT 3406NA, AMERCOOL 60VCI 215H-3STG COMPRESSOR PACKAGE

END USER/CONSULTANT: KAISER ENERGY LTD. CUST. P.O. No.:  
 LOCATION: HERRONTON, ALBERTA REVISION: 2  
 LSD: 16-23-21-25-W4M DWG REFERENCE:  
 215-3STG-20 Rev. 0

DRAWN: K. BUCK W.D. No: 018077  
 DATE: 02 DEC 00 PART No: 215H-3STG  
 CHK'D: B. MINSHULL No. REQD: ONE (1)  
 PROJ. CO: B. MINSHULL SCALE: NTS  
 DWG No: **018077-20**  
 (SHEET 1 OF 1)

Plot 16:05 26 SEPT. 2001

**V-1702**  
 STG #2 SUCTION SCRUBBER  
 10 3/4" O.D. x 48" 5/5"  
 D.P. = 500 PSIG @ 350F/-20F  
 P/N: 809-5159



**BILL OF MATERIAL**

ITEM	PART NO.	TOTAL QUANTITY	DESCRIPTION	REV
1702	809-5159	1.00 EA	SCRUBBER, 10 7500X48 GEMINI* DESIGN PRESS: 500 PSIG DESIGN TEMP: 350 F W.M.T. -20 F @ 500 PSIG C.A. 0.0625" N1 3-500#RFWN N2 3-500#RFWN CRN: M-7703 213	
2503	813-4209	1.00 EA	VALVE DUMP MURPHY DV850 50UR	
2504	807-8185	1.00 EA	VALVE CHECK POST SCR 1-600 VELAN HACE, #15-2014B-26NB	
2510	810-0163	1.00 EA	VALVE GAUGE SET PENBERTY 330J NACE PENBERTY P/N 84B10-550 0.5" NPTF (RIGID) - GAUGE CONN, 0.75" NPTM - VESSEL CONN, 0.5" NPTF - VENT-DRAIN CONN,	
2511	800-6732	1.00 EA	GAUGE LEVEL PENBERTY TRMG, HACE	
2512	813-7194	1.00 EA	VALVE BALL SCR D 5-2000 MERID R PORT LOCKING HANDLE NACE, MODEL M22CF	
2514	807-6905	1.00 EA	CONTROL LEVEL MURPHY L1200N-DV0, MIXCEL L1200N-DV0-SS-SF HALE 2" NPT c/w DIAP VALVE OPERATOR	
2549	807-6898	1.00 EA	SWITCH LEVEL MURPHY L1200SS-SF HACE-SS BODY & FLOAT, 2" NPT	
2550	803-9876	1.00 EA	SWITCH TEMP MURPHY 509-500EX, 100-500F LYLOSIGHT PROOF	
2562	802-9021	1.00 EA	THEANGWELL MURPHY 75X0 5X3 25 0.514" BORE 304SS	
2571	800-2658	2.00 EA	GASKET FLX 1.50-3.4-600RF, CHELROCARB 316SS	

Path: M:\WO\018077\PLAN\018077-25.dwg

CUSTOMER CONNECTIONS			PACKAGE CONNECTIONS		
TAG	DESCRIPTION	SIZE	TAG	DESCRIPTION	SIZE

- GENERAL NOTES**
- |  |   |  |  |  |                               |  |
|--|---|--|--|--|-------------------------------|--|
| 1. PROCESS INSTRUMENT LINES:<br>316SS TUBING c/w 1/4" SWAGelok<br>316SS FITTINGS &<br>316SS FERRULES | 2. UTILITY INSTRUMENT LINES:<br>316SS TUBING c/w 3/8" SWAGelok<br>CAD PLATED FITTINGS &<br>316SS FERRULES | 3. INSTRUMENT MEDIUM:<br>CLEAN, DRY GAS.           | 4. ALL PIPING 2" AND UNDER TO BE XH MINIMUM. | 5. ALL FITTINGS TO BE 3000# RATING UNLESS OTHERWISE NOTED. | 6. CORROSION ALLOWANCE: 1/16" | 7. INSTRUMENT TAGS REQUIRED: <input type="checkbox"/> YES <input checked="" type="checkbox"/> NO |
| 8. PAINT (1) COAT:<br>UNIVERSAL COMPRESSION STANDARD<br>COLOR: SAPPHIRE BLUE                         | 9. ALL PSV EXHAUST PIPES TO HAVE 1/4" WEEP HOLE IN TRAP AREAS   | 10. AREA CLASSIFICATION:<br>CLASS 1 DV 2 BY ENTELA | 11. CONDUIT TYPE:<br>CALVANIZED CONDUIT      |  |                               |  |

**STAMP AREA**

THIS DOCUMENT IS SUPPLIED IN CONFIDENCE. REPRODUCTION OR DISTRIBUTION IN WHOLE OR PART WITHOUT THE WRITTEN PERMISSION OF UNIVERSAL COMPRESSION SERVICES IS STRICTLY PROHIBITED.

1	KMB	BM	CHANGED CYLINDER FROM 5.0" TO 5.5". ADDED SCRUBBER LEVEL GAUGE & DRAIN	26 SEPT 01
D	KMB	BM	ISSUED FOR FABRICATION	17 MAY 01
REV.	BY	CHK'D	REVISION DESCRIPTION	DATE

**UNIVERSAL® COMPRESSION**  
 4949 - 76th Avenue S.E. 403/236-5252 Main  
 P.O. Box 5308, Station "A" 800/661-5252 Toll Free  
 Calgary, Alberta, Canada T2M 1X6 403/236-4261 Fax

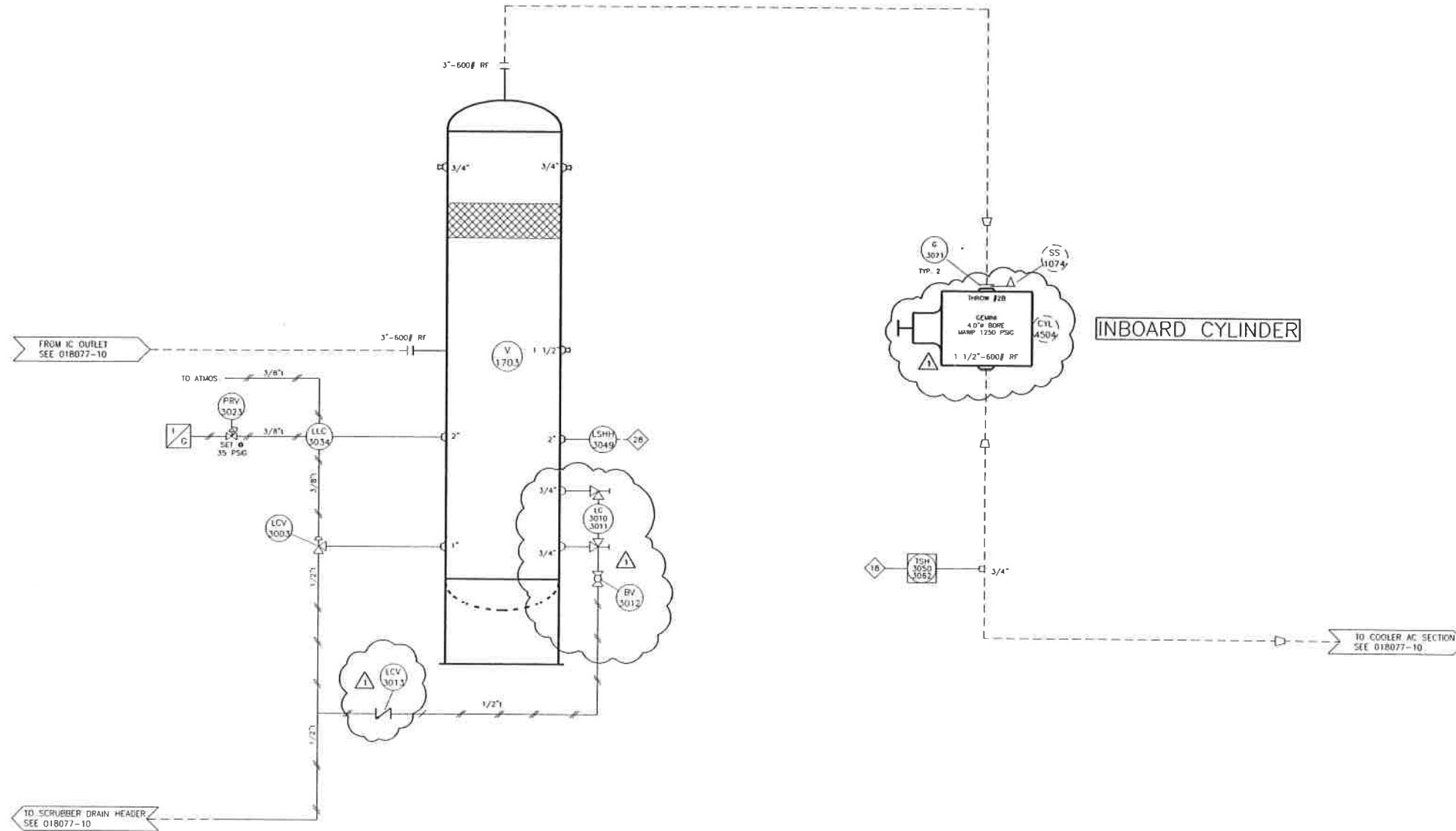
TITLE: **STAGE TWO PRESSURE VESSEL SYSTEM**  
 GEMINI H302 (109.0", 105.5" & 104.0"), CAT 3406NA, AMERCOOL 60VCI  
 215-JSH COMPRESSOR PACKAGE

END USER/CONSULTANT:	KAISER ENERGY LTD.	CUST P.O. No.:	
LOCATION:	HERRINGTON, ALBERTA	REVISION:	1
LSN:	16-23-21-25-W4M	DWG REFERENCE:	215-35TG-25 Rev.0
DRAWN:	K. BUCK	DWG No:	018077
DATE:	02 DEC 00	NPT No:	215-35TG
CHK'D:	B. MINSHULL	No RECD:	ONE (1)
PROJ CD:	B. MINSHULL	SCALE:	NTS

**018077-25**  
(SHEET 1 OF 1)



V-1703  
 STG 3 SUCTION SCRUBBER  
 8 5/8" O.D. x 48" 5/5"  
 DP = 1290 PSIG @ 350F/-20F  
 P/N: 809-3165



BILL OF MATERIAL

ITEM	PART NO.	TOTAL QUANTITY	DESCRIPTION	REV
1703	809-3165	1.00 EA	SCRUBBER B 6750X48 CEMIN*	
			DESIGN PRESS: 1290 PSIG	
			DESIGN TEMP: 350F	
			MMT: -20F @ 1290 PSIG	
			C.A.: 0.0525"	
			HT: 3\"/>	
			HT: 3\"/>	
			CRN: M-7702 213	
3003	813-4209	1.00 EA	VALVE DUMP MURPHY DV850 504R	
3010	810-0163	1.00 EA	VALVE GAUGE SET PENBERT 330J*	
			NACE PENBERTHY P/N 84810-550	
			0.5\"/>	
			0.75\"/>	
			0.5\"/>	
3011	800-6732	1.00 EA	GAUGE LEVEL PENBERTHY TRMS, NACE	
3012	813-7194	1.00 EA	VALVE BALL SCR 0.5-2000 MERID, R. PORT, LOCKING HANDLE NACE, MODEL M22CR	
3013	813-9108	1.00 EA	VALVE CHECK TUBING 0.5" SWAGelok MODEL #55-BC-1	
3023	803-0105	1.00 EA	REGULATOR TENCH BYCER-362,* 1/4\"/>	
3034	807-6905	1.00 EA	CONTROL LEVEL MURP L1200N-DV0, MODEL # L1200N-DV0-55-SF MACE	
3049	807-6898	1.00 EA	SWITCH LEVEL MURPHY L1200SS-SF NACE-SS BODY & FLOAT, 2\"/>	
3050	803-9876	1.00 EA	SWITCH TEMP MURPHY SDB-SO0EX, 100-500F EXPLOSION PROOF	
3062	802-9021	1.00 EA	THERMOWELL MURPHY, 75x0.5x3.25 0.514\"/>	
3071	800-2658	2.00 EA	GASKET FLEX 1.50-3.4-60DRF, CHLOROcarb, 316SS	

14:30 26 SEPT. 2001  
 Plot  
 Path: M:\WC\018077\PA&C\018077-30.dwg

CUSTOMER CONNECTIONS		PACKAGE CONNECTIONS	
TAG	DESCRIPTION	TAG	DESCRIPTION

- GENERAL NOTES
- PROCESS INSTRUMENT LINES: 316SS TUBING c/w 1/4" SWAGelok, 316SS FITTINGS & 316SS FERRULES.
  - UTILITY INSTRUMENT LINES: 316SS TUBING c/w 3/8" SWAGelok, CAD PLATED FITTINGS & 316SS FERRULES.
  - INSTRUMENT MEDIUM: CLEAN, DRY GAS.
  - ALL PIPING 2" AND UNDER TO BE XX MINIMUM.
  - ALL FITTINGS TO BE 3000# RATING UNLESS OTHERWISE NOTED.
  - CORROSION ALLOWANCE: 1/16".
  - INSTRUMENT TAGS REQUIRED:  YES  NO
- B. PAINT (1) COAT: UNIVERSAL COMPRESSION STANDARD COLOR: SAPPHIRE BLUE
9. ALL PSV EXHAUST PIPES TO HAVE 1/4" WEEP HOLE IN TRAP AREAS
10. AREA CLASSIFICATION: CLASS 1 DW 2 BY ENTELA
11. CONDUIT TYPE: GALVANIZED CONDUIT

STAMP AREA

THIS DOCUMENT IS SUPPLIED IN CONFIDENCE. REPRODUCTION OR DISTRIBUTION IN WHOLE OR PART WITHOUT THE WRITTEN PERMISSION OF UNIVERSAL COMPRESSION SERVICES IS STRICTLY PROHIBITED.

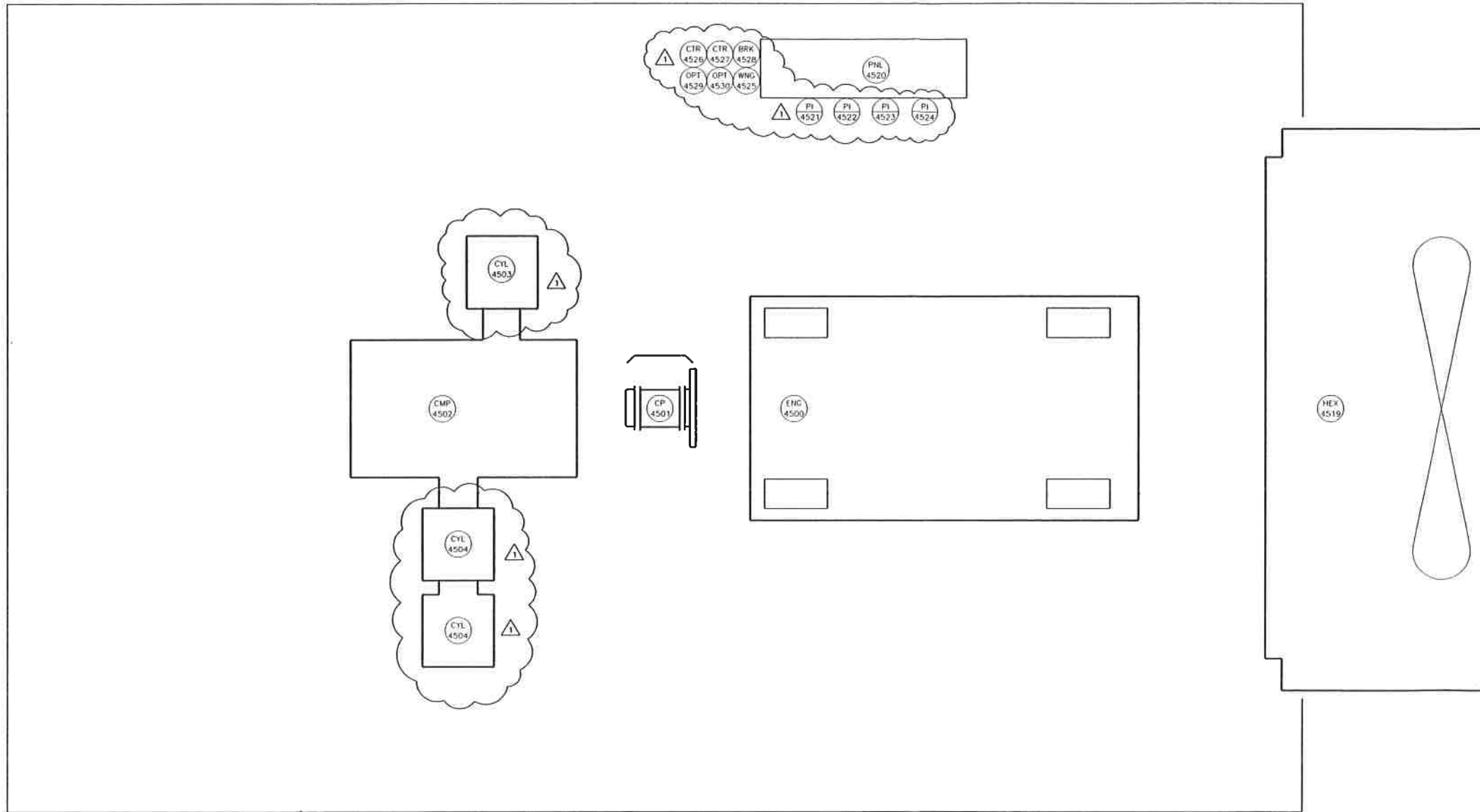
1	KMB	5/1	CHANGED CYLINDER FROM 7.5" TO 9.0", ADDED SCRUBBER LEVEL GAUGE & DRAIN	26 SEPT 01
0	KMB	BM	ISSUED FOR FABRICATION	17 MAY 01
REV.	BY	CHK'D	REVISION DESCRIPTION	DATE



**UNIVERSAL COMPRESSION**  
 4949 - 76th Avenue SE 403/236-3252 Main  
 P.O. Box 5308, Station 'A' 800/681-3252 Toll Free  
 Calgary, Alberta, Canada T2H 1X6 403/236-4261 Fax

FILE: STAGE THREE PRESSURE VESSEL SYSTEM  
 GEMINI H302 (10'9.0", 10'5.5" & 10'4.0"), CAT 3406NA, AMERCOOL 60VCI 215-3SH COMPRESSOR PACKAGE

END USER/CONSULTANT: KAISER ENERGY LTD.	CUST. P.O. No.:
LOCATION: HERRINGTON, ALBERTA LSD: 16-23-21-25-W4M	REVISION: 1
DRAWN: K. BUCK W.D. No. 018077	DWG REFERENCE: 215-35TG-30 Rev.D
DATE: 02 DEC 00 UNIT No. 215-3SH	DWG No. 018077-30
CHK'D: B. MINSHULL No. REQ'D ONE (1)	(SHEET 1 OF 1)
PROJ. CO: B. MINSHULL SCALE: NTS	



BILL OF MATERIAL

NOTE: ITEM No. = FIRST TWO DIGITS (Operation No.), LAST TWO DIGITS (Item No.)

ITEM	PART NO.	TOTAL QUANTITY	DESCRIPTION	REV
4500	803-9981	1.00 EA	ENGINE CAT.3406NA.215HP@1800 C/W FOLLOWING: STANDARD CANADIAN EQUIPMENT 1 EA OPT5588 CUSTOMER SUPPLIED SHUTOFFS 1 EA PA5337 CSA SHIELDED IGNITION 1 EA LA0117 INSTRUMENT PANEL RIGHT HAND ENGINE TO SHIP LESS STARTER 5 EA 0P9716 EXTRA LITERATURE ONE YEAR PRICED, RECOMMENDED SPARE PARTS LIST MANUAL BARRING LEVER 215 BHP @ 1800 RPM *COMPLETE - DETAILED BOM REQUIRED TAG PARTS DEPT. S/N TBA	
4501	408-4011	1.00 EA	COUPLING DRIVE FORMSPRAG FSH42 ENGINE FORMSPRAG 425H W/ 1/8 3/8 FLYWHEEL ADAPTER PLATE, SAE BOLTING, (B) 17/32" DIA HOLES, 17.25" BOLT CIRCLE & HUB W/TPR & CBORED 2.934, 1.51FF BORE 2.934/2.935 KEY .315X.162 (3.091 OX)	
4502	802-8974	1.00 EA	COMPRESSOR FRAME GEMINI H302 C/W SHIPPING SUB BASE 130-180 HP RATING COMPRESSOR KIT 409-4726 LUBRICATION KIT 420-5265 4 EA OPERATION & MAINTENANCE INSTRUCTION MANUALS 1 EA 408-2692 SWITCH-HO-FLOW 1 EA 1702 SWITCH VIBRATION *COMPLETE - DETAILED BOM REQUIRED TAG PARTS DEPT. S/N TBA	
4503	802-9679	1.00 EA	CYLINDER GEMINI H9.0-300/VVP 300 PSIG MAMP	
4504	422-0266	1.00 EA	CYLINDER GEMINI HPD.5.5+4 VVP TANDEM CYLINDER C/W VVP ON 5.5 1000/1250 MAMP	
4519	813-5499	1.00 EA	COOLER WC215-3AMER,60VCI PROPOSAL B3-CM DATED NOV 5/99 SHIP PRIMER CRN (AB BC & SASK) ASME CODE STAMP ON GAS SECT MANUAL LOUVERS OVER GAS & WATER SECTION MOUNTED COOLER ASSEMBLY HAIL GUARDS BUG SCREENS 1" NPT PER GAS T/C EXTENDED LUBE LINES S/N TBA	
4520	813-4089	1.00 EA	PANEL GEMINI TTDJ-IGN-T STD. MURPHY Matic CONTROL PANEL HOUSED IN A 24X30 FRONT ACCESS WALL MOUNT ENCL WITH FRONT LOCKING DOOR & A 30" REVERSED BASE - THE PANEL WILL INCLUDE: 1 - TTDJ-IGN-T SELECTRONIC FAULT ANNUNCIATOR WITH TIMERS S/N TBA	
4521	813-5112	1.00 EA	GAUGE PRESS MURPHY D-100 MODEL OPLFG-S-100-DS 316SS BOURDON TUBE 1019 SOCKET PANEL MOUNTED	
4522	813-5121	1.00 EA	GAUGE PRESS MURPHY D-200 MODEL OPLFG-R-200-DS 316SS BOURDON TUBE 1019 SOCKET PANEL MOUNTED	
4523	813-5163	1.00 EA	GAUGE PRESS MURPHY D-600 MODEL OPLFG-R-600-DS 316SS BOURDON TUBE 1019 SOCKET PANEL MOUNT	
4524	813-5172	1.00 EA	GAUGE PRESS MURPHY D-1000 MODEL OPLFG-R-1000-DS 316SS BOURDON TUBE 1019 SOCKET PANEL MOUNT	
4525	813-7362	1.00 EA	PANEL OPTION WHC.2	
4526	813-8052	1.00 EA	CONTROLLER FISHER 4150K 0-100 PSI BOURDON TUBE 6-30 PSI OUTPUT SIGNAL PANEL MOUNT DIRECT ACTING	
4527	813-7854	1.00 EA	CONTROLLER FISHER 4150KR 0-100 BOURDON TUBE 6-30 PSI OUTPUT SIGNAL PANEL MOUNTED REVERSE ACTING	
4528	813-3348	2.00 EA	BRACKET FISHER MTG-129 FOR FISHER 4150 CONTROLLER	
4529	813-2560-01	1.00 EA	PANEL OPTION AUTO MANUAL 0-60	
4530	813-2560-02	1.00 EA	PANEL OPTION AUTO MANUAL 0-60	
4595	813-7284	1.00 EA	SWITCH PRESSURE PSI MODEL #2C10F1 6.3 2.100-1800PSIG RANGE 1/4" TUBE TO TUBE HIGH PRESSURE HOSE	
4596	813-6987	1.00 EA	SWITCH TEMP MURPHY A25IEF25025 130-250 2 1/2" DIA NORMAL CLOSED C/W 25 PVC COATED CAPILLARY	

CUSTOMER CONNECTIONS			PACKAGE CONNECTIONS		
TAG	DESCRIPTION	SIZE	TAG	DESCRIPTION	SIZE

- GENERAL NOTES**
- PROCESS INSTRUMENT LINES: 316SS TUBING c/w 1/4" SWAGelok 316SS FITTINGS & 316SS FERRULES
  - UTILITY INSTRUMENT LINES: 316SS TUBING c/w 3/8" SWAGelok CAD PLATED FITTINGS & 316SS FERRULES
  - INSTRUMENT MEDIUM: CLEAN, DRY GAS.
  - ALL PIPING 2" AND UNDER TO BE XH MINIMUM.
  - ALL FITTINGS TO BE 3000# RATING UNLESS OTHERWISE NOTED.
  - CORROSION ALLOWANCE: 1/16"
  - INSTRUMENT TAGS REQUIRED:  YES  NO
  - PAINT (1) COAT: UNIVERSAL COMPRESSION STANDARD COLOR: SAPPHIRE BLUE
  - 9 ALL PSV EXHAUST PIPES TO HAVE 1/4" WEEP HOLE IN TRAP AREAS
  - AREA CLASSIFICATION: CLASS 1 DV 2 BY ENTELA
  - CONDUIT TYPE: GALVANIZED CONDUIT

STAMP AREA

THIS DOCUMENT IS SUPPLIED IN CONFIDENCE. REPRODUCTION OR DISTRIBUTION IN WHOLE OR PART WITHOUT THE WRITTEN PERMISSION OF UNIVERSAL COMPRESSION SERVICES IS STRICTLY PROHIBITED.

REV	BY	CHK'D	REVISION DESCRIPTION	DATE
1	KMB	BM	CHANGED CYLS. TO 9.0", 5.5" & 4.0", ADDED AUTO SUCTION & BYPASS CONTROLS ISSUED FOR FABRICATION	26 SEPT 01 17 MAY 01

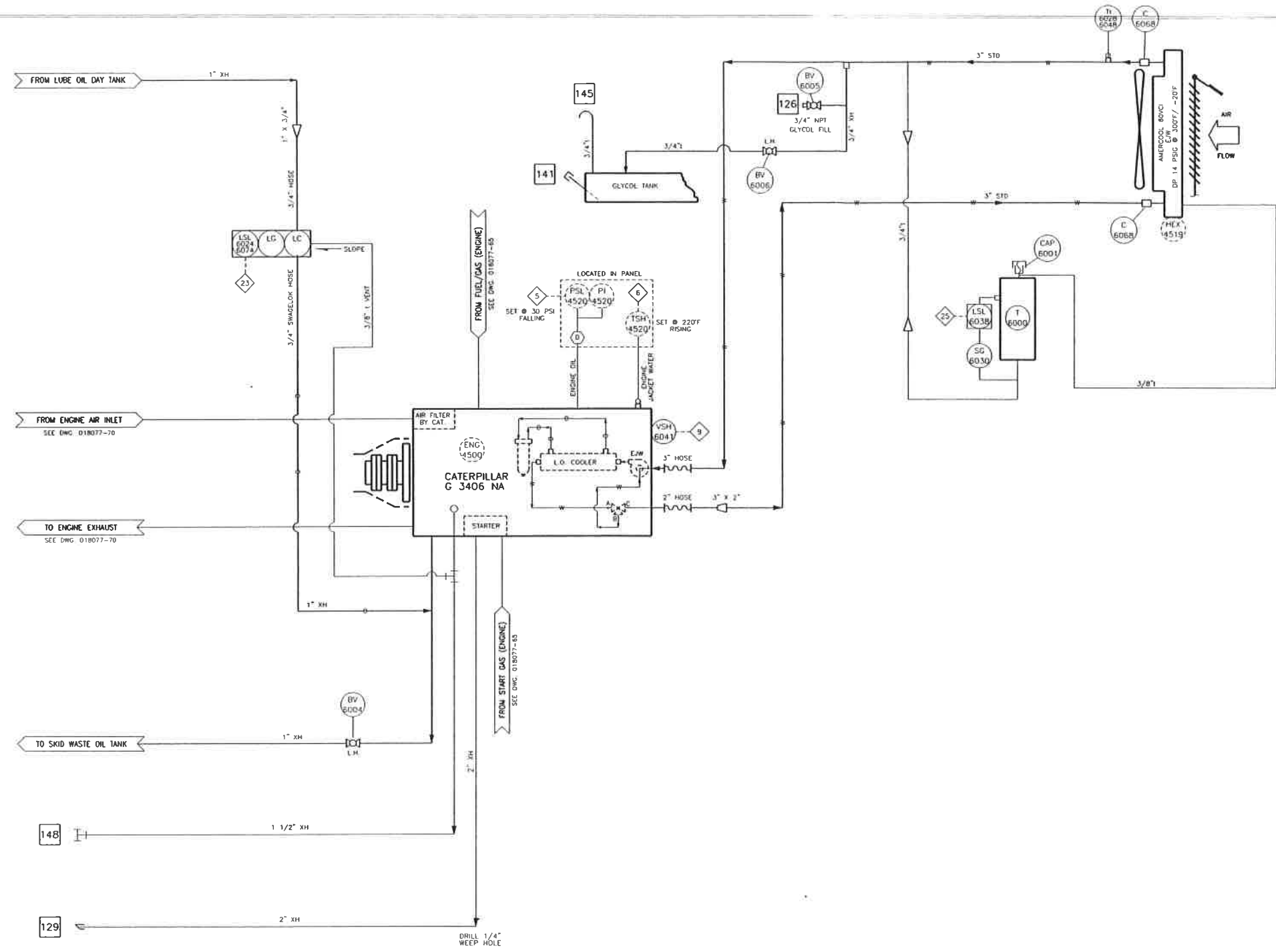
**UNIVERSAL<sup>®</sup> COMPRESSION**  
 4949 - 76th Avenue S.E. 403/236-5252 Main  
 P.O. Box 9308, Station 'A' 800/661-5232 Toll Free  
 Calgary, Alberta, Canada T2H 1X6 403/236-4261 Fax

TITLE: UTILITIES & INSTRUMENTATION DIAGRAM  
 CATERPILAR 3406NA  
 MAJOR EQUIPMENT, MOUNTING, AND STRUCTURAL SCHEMATIC

END USER/CONSULTANT: KAISER ENERGY LTD. CUST. P.O. No.:  
 LOCATION: HERRONTON, ALBERTA L5D: 16-23-21-25-W4M REVISION: 1  
 DRAWN: K. BUCK W.D. No: 018077 DWG. REFERENCE: 215-35TG-45 Rev.0  
 DATE: 02 DEC 00 UNIT No: 215-35TG DWG. No:  
 CHK'D: B. MINSHULL No. REQ'D: ONE (1) 018077-45  
 PROJ. CO: B. MINSHULL SCALE: N.T.S. (SHEET 1 OF 1)

Part 6'

Path: M:\WORK\018077\Ud\018077-60.dwg



**BILL OF MATERIAL**

NOTE: ITEM No = FIRST TWO DIGITS (Operation No.), LAST TWO DIGITS (Item No.)

ITEM	PART NO	TOTAL QUANTITY	DESCRIPTION	REV
6000	B04-7001	1.00 EA	TANK SURGE, RICAL, GEMIN, STOCK*	
6001	B13-0663	1.00 EA	CAP, RAD, KENCO, 7PSI, 29508,*	
6004	B13-7218	1.00 EA	VALVE, BALL, SCR, 1-2000, MERID, R PORT, LOCKING HANDLE, NACE, MODEL M22CR	
6005	B13-7200	1.00 EA	VALVE, BALL, SCR, 0.75-2000, MERID, R PORT, LOCKING HANDLE, NACE, MODEL M22CR	
6006	B13-7200	1.00 EA	VALVE, BALL, SCR, 0.75-2000, MERID, R PORT, LOCKING HANDLE, NACE, MODEL M22CR	
6024	R03-0032	1.00 EA	CONTROL LEVEL, MURPHY, LM201A, 1/8" DRIF, USE WITH MOUNTING BRACKET PTFE 606-3313	
6028	B09-6286	1.00 EA	GAUGE, TEMP, 50-300°F, TRENID, 33025, DUAL SCALE, 304SS, 3 DIAL, 2 5/8" ST, BACK CONNECTED, NO RESET	
6030	B13-6576	1.00 EA	GLASS, SIGHT, KENCO, 92915, C/W GUARD & FITTINGS IN & OUT	
6038	R03-9779	1.00 EA	SWITCH, LEVEL, MURPHY, EL-150K1	
6041	B03-9819	1.00 EA	SWITCH, VIBRATION, MURPHY, VS-2	
6046	B01-5811	1.00 EA	THERMOWELL, 0.75X0.50X2.50,* 0.260" BORE, 304SS, 1.375" INSERTION LENGTH	
6068	B01-9068	2.00 EA	COUPLING, DRESSER, 3.00" STD*	
6074	B06-3313	1.00 EA	BRACKET, PIPE, MOUNT, 115-00-0371, FOR LM201A LEVEL CONTROL	

CUSTOMER CONNECTIONS			PACKAGE CONNECTIONS		
TAG	DESCRIPTION	SIZE	TAG	DESCRIPTION	SIZE
126	E.J.W. FILL	3/4" NPT	129	STARTER EXHAUST	2" DIA.
			141	GLYCOL PUMP OUT	3" CAMLOCK
			145	GLYCOL TANK VENT	1/2" TUBING
			148	ENGINE CRANKCASE VENT	1 1/2" DIA.

- GENERAL NOTES**
- PROCESS INSTRUMENT LINES: 316SS TUBING c/w 1/4" SWAGelok 316SS FITTINGS & 316SS FERRULES
  - UTILITY INSTRUMENT LINES: 316SS TUBING c/w 3/8" SWAGelok CAD PLATED FITTINGS & 316SS FERRULES
  - INSTRUMENT MEDIUM: CLEAN, DRY GAS.
  - ALL PIPING 2" AND UNDER TO BE XH MINIMUM.
  - ALL FITTINGS TO BE 3000# RATING UNLESS OTHERWISE NOTED.
  - CORROSION ALLOWANCE: 1/16".
  - INSTRUMENT TAGS REQUIRED:  YES  NO
- PAINT (1) COAT: UNIVERSAL COMPRESSION STANDARD COLOR: SAPPHIRE BLUE
  - ALL PSV EXHAUST PIPES TO HAVE 1/4" WEEP HOLE IN TRAP AREAS
  - AREA CLASSIFICATION: CLASS 1 DV 2 BY ENTELA
  - CONDUIT TYPE: GALVANIZED CONDUIT

STAMP AREA

THIS DOCUMENT IS SUPPLIED IN CONFIDENCE. REPRODUCTION OR DISTRIBUTION IN WHOLE OR PART WITHOUT THE WRITTEN PERMISSION OF UNIVERSAL COMPRESSION SERVICES IS STRICTLY PROHIBITED.

0	KWB	ISSUED FOR FABRICATION	17 MAY 01
REV.	BY	REVISION DESCRIPTION	DATE

**UNIVERSAL<sup>®</sup> COMPRESSION**

4949 - 76th Avenue S.E. 403/236-5252 Main  
P.O. Box 5308, Station "A" 800/661-5252 Toll Free  
Calgary, Alberta, Canada T2H 1X6 403/236-4261 Fax

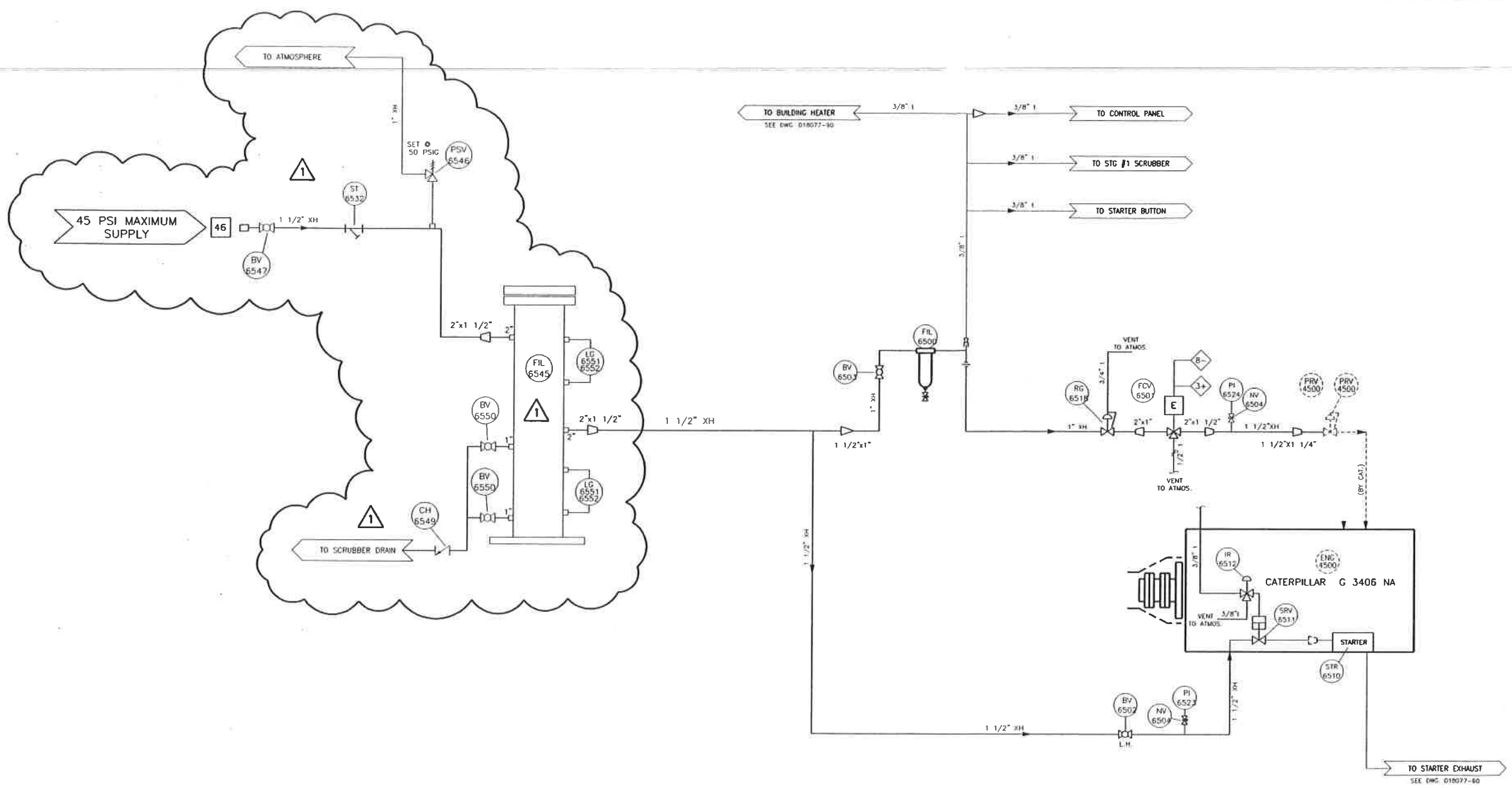
TITLE: **ENGINE**  
CATERPILLAR 3406NA  
(MAIN BLOCK, LUBE OIL, COOLING WATER)

END USER/CONSULTANT: KAISER ENERGY LTD.  
LOCATION: HERRONTON, ALBERTA  
LSD: 16-23-21-25-W4M

REVISION: 0  
DWG REFERENCE: 215-35TG-60 Rev.0  
DWG No: 018077-60  
(SHEET 1 OF 1)

Plot: M:\A\WO\018077\018077-65.dwg

16 SEPT. 2001



**BILL OF MATERIAL**

NOTE: ITEM No. = FIRST TWO DIGITS (Operation No.), LAST TWO DIGITS (Item No.)

ITEM	PART NO.	TOTAL QUANTITY	DESCRIPTION	REV
6500	803-9681	1.00 EA	FILTER, MONNER, 1.680421-70C*	
6501	803-9685	1.00 EA	REPLACEMENT ELEMENT #58-152-70C	
6502	813-7260	1.00 EA	VALVE, FUEL, MURPHY M5081CMT	
6503	813-7218	1.00 EA	VALVE, BALL, SCR, 1.50-1500, MERID	
6504	804-2458	2.00 EA	VALVE, CHECK, LIFT, SCR, 1-800, NEWCO MODEL # 481-PS3	
6510	813-4050	1.00 EA	STARTER, IDL, 1312-60017-01R, LOW PRESSURE	
6511	804-7691	1.00 EA	VALVE, RELIEF, TAYLOR, 50-PSI, MODEL # 8200	
6512	803-2259	1.00 EA	VALVE, 3-WAY, IR, 5MB-C618, 1/8\"/>	

**CUSTOMER CONNECTIONS**

TAG	DESCRIPTION	SIZE	TAG	DESCRIPTION	SIZE
46	FUEL & START GAS INLET	1 1/2\"/>			


**GENERAL NOTES**

- PROCESS INSTRUMENT LINES: 316SS TUBING c/w 1/4\"/>
  - UTILITY INSTRUMENT LINES: 316SS TUBING c/w 3/8\"/>
  - INSTRUMENT MEDIUM: CLEAN, DRY GAS.
  - ALL PIPING 2\"/>
  - ALL FITTINGS TO BE 3000# RATING UNLESS OTHERWISE NOTED.
  - CORROSION ALLOWANCE: 1/16\"/>
  - INSTRUMENT TAGS REQUIRED:  YES  NO
- B. PAINT (1) COAT: UNIVERSAL COMPRESSION STANDARD COLOR: SAPPHIRE BLUE
9. ALL PSV EXHAUST PIPES TO HAVE 1/4\"/>
10. AREA CLASSIFICATION: CLASS 1 DW 2 BY ENTELA
11. CONDUIT TYPE: GALVANIZED CONDUIT

**STAMP AREA**

THIS DOCUMENT IS SUPPLIED IN CONFIDENCE. REPRODUCTION OR DISTRIBUTION IN WHOLE OR PART WITHOUT THE WRITTEN PERMISSION OF UNIVERSAL COMPRESSION SERVICES IS STRICTLY PROHIBITED.

1	KMB	ADDED FUEL GAS SCRUBBER	25 SEPT 01
0	KMB	ISSUED FOR FABRICATION	17 MAY 01
REV	BY	CHK'D	REVISION DESCRIPTION



**UNIVERSAL COMPRESSION**  
 4949 - 78th Avenue S.E. 403/236-3252 Main  
 P.O. Box 5308, Station 'A' 800/461-3252 Toll Free  
 Calgary, Alberta, Canada T2H 1X8 403/236-4261 Fax

FILE: **START/FUEL GAS ENGINE**  
 CATERPILLAR 3406NA  
 START/FUEL GAS

END USER/CONSULTANT: KAISER ENERGY LTD.  
 LOCATION: HERRONTON, ALBERTA  
 LSD: 16-23-21-25-W4M

REVISION: 1  
 DWG REFERENCE: 215-351G-65 Rev.0  
 DWG No: 018077-65  
 (SHEET 1 OF 1)



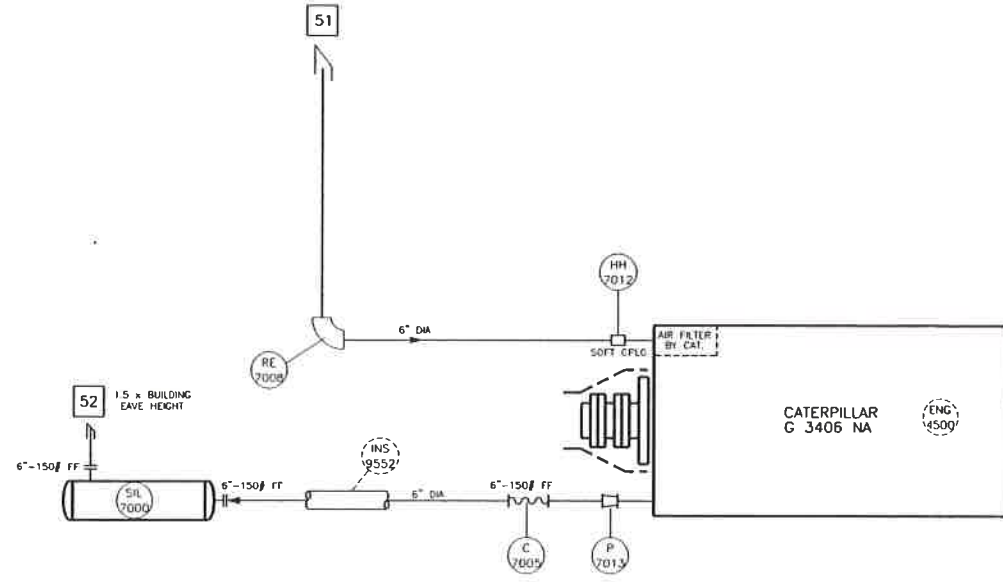
4-22 May 17, 2001

Path: M:\WO\018077\UARD\018077-70.dwg

**BILL OF MATERIAL**

NOTE: ITEM No = FIRST TWO DIGITS (Operation No.), LAST TWO DIGITS (Item No)

ITEM	PART NO.	TOTAL QUANTITY	DESCRIPTION	REV
7000	810-5445	1.00 EA	SILENCER, SILEV, JDD5-6.5J/50, 6"-150#FF, HOSPITAL GRADE 9-12 ORIENTATION	
7005	806-9349	1.00 EA	BELLOW EXPANSION 6X12 CXB	
7008	802-8925	1.00 EA	ELBOW RUBBER 6.90 #P105535*	
7009	801-9706	1.00 EA	ELBOW 6.510 LR 45 SA234-WPB**	
7010	801-9687	1.00 EA	ELBOW 6.510 LR 90 SA234-WPB**	
7011	801-9708	1.00 EA	ELBOW 6.510 LR 45 SA234-WPB**	
7012	802-8933	1.00 EA	HOSE RUBBER HUMP 6" P105612	
7013	806-3557	1.00 EA	PUP EXHAUST 3406 CATERPILLAR	
7017	855-0032	4.00 EA	HOSE CLAMP CLEARED TRIGON HS 104 3" - 7" DIA 10/BOX	
7020	800-2836	3.00 EA	PLATE FLANGE 6-150**	



CUSTOMER CONNECTIONS			PACKAGE CONNECTIONS		
TAG	DESCRIPTION	SIZE	TAG	DESCRIPTION	SIZE
51	ENGINE AIR INLET	6" DIA.	51	ENGINE AIR INLET	6" DIA.
52	ENGINE EXHAUST	6" DIA.	52	ENGINE EXHAUST	6" DIA.

- GENERAL NOTES**
- PROCESS INSTRUMENT LINES: 316SS TUBING c/w 1/4" SWAGelok, 316SS FITTINGS & 316SS FERRULES.
  - UTILITY INSTRUMENT LINES: 316SS TUBING c/w 3/8" SWAGelok, CAD PLATED FITTINGS & 316SS FERRULES.
  - INSTRUMENT MEDIUM: CLEAN, DRY GAS.
  - ALL PIPING 2" AND UNDER TO BE XH MINIMUM.
  - ALL FITTINGS TO BE 3000# RATING UNLESS OTHERWISE NOTED.
  - CORROSION ALLOWANCE: 1/16".
  - INSTRUMENT TAGS REQUIRED:  YES  NO
  - PAINT (1) COAT: UNIVERSAL COMPRESSION STANDARD COLOR: SAPHIRE BLUE
  - ALL PSV EXHAUST PIPES TO HAVE 1/4" WEEP HOLE IN TRAP AREAS
  - AREA CLASSIFICATION: CLASS 1 DIV 2 BY ENTELA
  - CONDUIT TYPE: GALVANIZED CONDUIT

STAMP AREA

THIS DOCUMENT IS SUPPLIED IN CONFIDENCE. REPRODUCTION OR DISTRIBUTION IN WHOLE OR PART WITHOUT THE WRITTEN PERMISSION OF UNIVERSAL COMPRESSION SERVICES IS STRICTLY PROHIBITED.

REV	BY	CHK'D	REVISION DESCRIPTION	DATE
0	KMR		ISSUED FOR FABRICATION	17 MAY 01

**UNIVERSAL<sup>®</sup> COMPRESSION**

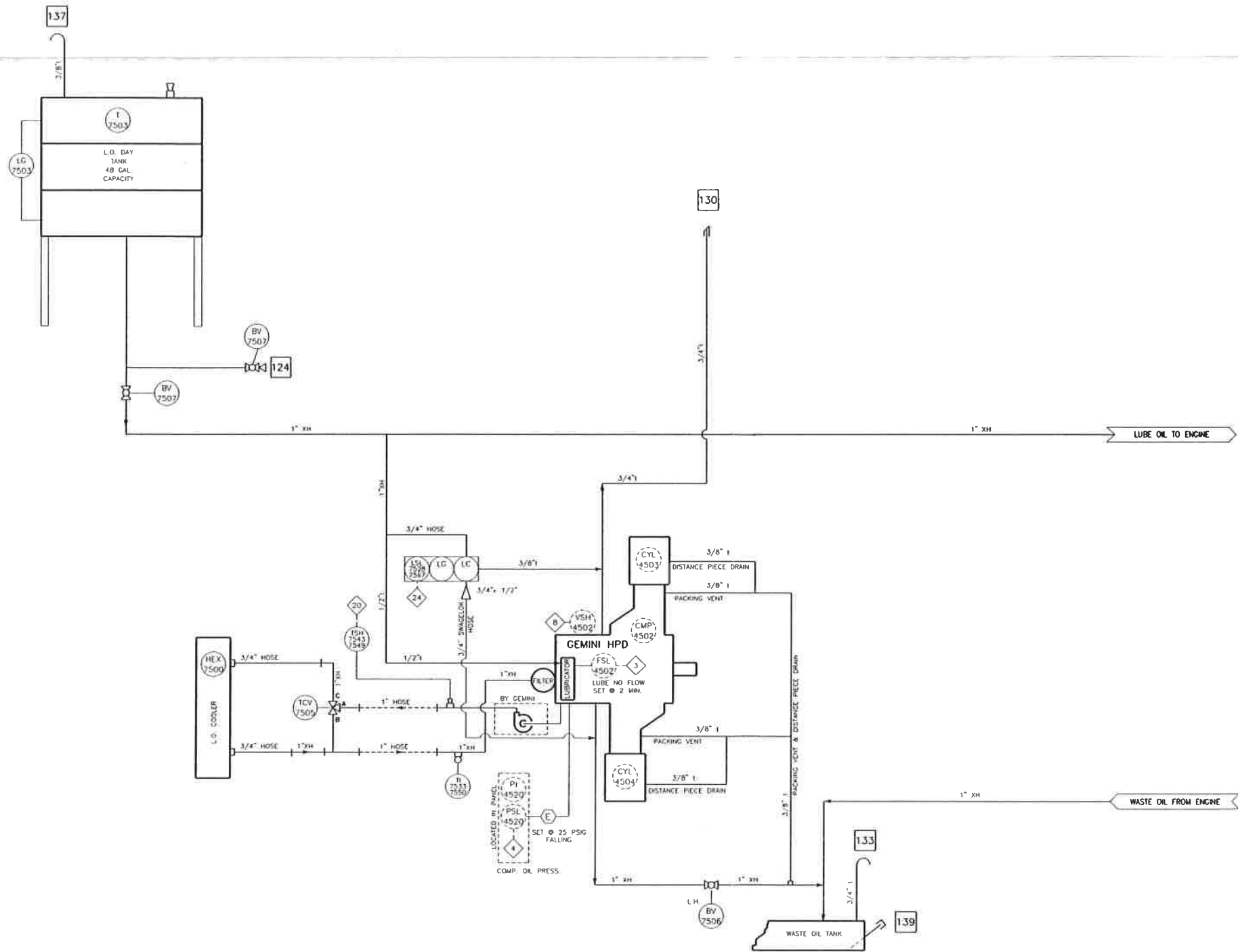
4949 - 76th Avenue S.E. 403/236-5252 Main  
P.O. Box 5306, Station "A" 800/661-5252 Toll Free  
Calgary, Alberta, Canada T2H 1X8 403/236-4261 Fax

TITLE: **AIR INTAKE/EXHAUST**  
CATERPILLAR 3406NA  
AIR INTAKE/EXHAUST

END USER/CONSULTANT: KAISER ENERGY LTD. CUST. P.O. No:  
LOCATION: HERRONTON, ALBERTA REVISION: 0  
LSD: 16-23-21-25-W4M DWG REFERENCE: 215-35TG-70 Rev.0

DRAWN: K. BUCK W.O. No 018077  
DATE: 02 DEC 00 UNIT No 215-35TG  
CHK'D: B. MINSHULL H.A. REQ'D ONE (1) DWG No  
PROJ. CO. B. MINSHULL SCALE: N.T.S. 018077-70  
(SHEET 1 OF 1)





BILL OF MATERIAL

NOTE: ITEM No = FIRST TWO DIGITS (Operation No.), LAST TWO DIGITS (Item No.)

ITEM	PART NO.	TOTAL QUANTITY	DESCRIPTION	REV
7500	803-7364	1.00 EA	COOLER LUBE OIL COMPRESSOR	
7503	813-5565	1.00 EA	TANK LUBE HORIZONTAL GEMINI	
7505	806-3336	1.00 EA	VALVE THERMOFLEX 1010-130	
7506	813-7218	1.00 EA	VALVE BALL SCR 1-2000 MERID	
7507	813-7218	2.00 EA	VALVE BALL SCR 1-2000 MERID	
7528	803-0032	1.00 EA	CONTROL LEVEL MURPHY LM301A	
7533	804-0238	1.00 EA	GAUGE TEMP 0-250F TRENID 33025*	
7543	803-0073	1.00 EA	SWITCH TEMP CCS 6900TU14-7001	
7549	803-7356	1.00 EA	THERMOWELL 0.75X0.50X4*	
7550	801-5811	1.00 EA	THERMOWELL 0.75X0.50X2.50*	
7567	806-3313	1.00 EA	BRACKET PIPE MOUNT #15-00-0371	

CUSTOMER CONNECTIONS		PACKAGE CONNECTIONS	
TAG	DESCRIPTION	TAG	DESCRIPTION
124	LUBE OIL TANK FILL	1.30	COMPRESSOR CRANKCASE VENT
139	WASTE OIL TANK PUMP/OUT	1.33	WASTE OIL TANK VENT
		1.37	LUBE OIL TANK VENT

- GENERAL NOTES**
- PROCESS INSTRUMENT LINES: 316SS TUBING c/w 1/4" SWAGelok, 316SS FITTINGS & 316SS FERRULES.
  - UTILITY INSTRUMENT LINES: 316SS TUBING c/w 3/8" SWAGelok, CAD PLATED FITTINGS & 316SS FERRULES.
  - INSTRUMENT MEDIUM: CLEAN, DRY GAS.
  - ALL PIPING 2" AND UNDER TO BE XH MINIMUM.
  - ALL FITTINGS TO BE 3000# RATING UNLESS OTHERWISE NOTED.
  - CORROSION ALLOWANCE: 1/16".
  - INSTRUMENT TAGS REQUIRED:  YES  NO
  - PAINT (1) COAT: UNIVERSAL COMPRESSION STANDARD COLOR: SAPPHIRE BLUE.
  - ALL PSV EXHAUST PIPES TO HAVE 1/4" WEEP HOLE IN TRAP AREAS.
  - AREA CLASSIFICATION: CLASS 1 DV 2 BY ENTELA.
  - CONDUIT TYPE: GALVANIZED CONDUIT.

STAMP AREA

THIS DOCUMENT IS SUPPLIED IN CONFIDENCE. REPRODUCTION OR DISTRIBUTION IN WHOLE OR PART WITHOUT THE WRITTEN PERMISSION OF UNIVERSAL COMPRESSION SERVICES IS STRICTLY PROHIBITED.

REV	BY	CHK'D	REVISION DESCRIPTION	DATE
0	KMB		ISSUED FOR FABRICATION	17 MAY 01

**UNIVERSAL<sup>®</sup> COMPRESSION**

4949 - 78th Avenue S.E. 403/236-5252 Main  
P.O. Box 5308, Station 141 800/661-5252 Toll Free  
Calgary, Alberta, Canada T2H 1X6 403/236-4261 Fax

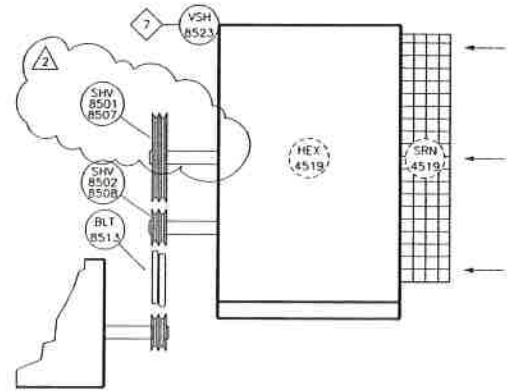
TITLE: COMPRESSOR  
COMPRESSOR H302  
(MAIN BLOCK, LUBE OIL, CYLINDER)

END USER/CONSULTANT: KAISER ENERGY LTD. CUST P.O. No.:  
LOCATION: HERRONTON, ALBERTA REVISION: 0  
LSD: 16-23-21-25-W4M DWG REFERENCE:  
215-351G-75 Rev 0

DRAWN: K. BUCK W.O. No: 018077  
DATE: 02 DEC 00 UNIT No: 215-351G DWG No:  
CHK'D: B. MINSHULL No REQD: ONE (1) 018077-75  
PROJ CO: B. MINSHULL SCALE: N.T.S. (SHEET 1 OF 1)

BILL OF MATERIAL

ITEM	PART NO	TOTAL QUANTITY	DESCRIPTION	REV
8501	803-8572	1.00 EA	SHEAVE WOODS 2B20.0 (SF-BUSH)	REV 0
8502	812-0609	1.00 EA	SHEAVE WOODS 288.0 (SK-BUSH)	
8507	806-3443	1.00 EA	BUSHING WOODS SF1-1516.19375	
8508	806-3435	1.00 EA	BUSHING WOODS SF1-1516.19375	
8511	812-0496	2.00 EA	V-BELT 1/8 LENGTH BY SHOP	
8523	803-8819	1.00 EA	SWITCH VIBRATION MURPHY V5-2	



CUSTOMER CONNECTIONS			PACKAGE CONNECTIONS		
TAG	DESCRIPTION	SIZE	TAG	DESCRIPTION	SIZE


**GENERAL NOTES**

- PROCESS INSTRUMENT LINES: 316SS TUBING c/w 1/4" SWAGelok 316SS FITTINGS & 316SS FERRULES.
- UTILITY INSTRUMENT LINES: 316SS TUBING c/w 3/8" SWAGelok CAD PLATED FITTINGS & 316SS FERRULES.
- INSTRUMENT MEDIUM: CLEAN, DRY GAS.
- ALL PIPING 2" AND UNDER TO BE 3000# RATING UNLESS OTHERWISE NOTED.
- ALL FITTINGS TO BE 3000# RATING UNLESS OTHERWISE NOTED.
- CORROSION ALLOWANCE: 1/16"
- INSTRUMENT TAGS REQUIRED:  YES  NO
- PAINT (1) COAT: UNIVERSAL COMPRESSION STANDARD COLOR: SAPPHIRE BLUE
- ALL PSV EXHAUST PIPES TO HAVE 1/4" WEEP HOLE IN TRAP AREAS
- AREA CLASSIFICATION: CLASS 1 DW 2 BY ENTELA
- CONDUIT TYPE: GALVANIZED CONDUIT

STAMP AREA

THIS DOCUMENT IS SUPPLIED IN CONFIDENCE. REPRODUCTION OR DISTRIBUTION IN WHOLE OR PART WITHOUT THE WRITTEN PERMISSION OF UNIVERSAL COMPRESSION SERVICES IS STRICTLY PROHIBITED.

2	MD		ITEM #8501 PART NUMBER REVISED	1	AUG 01
1	MD	BM	ITEM #8501 PART NUMBER REVISED	25	JULY 01
0	KMB	BM	ISSUED FOR FABRICATION	17	MAY 01
REV.	BY	CHK'D	REVISION DESCRIPTION	DATE	



**UNIVERSAL<sup>®</sup> COMPRESSION**  
 4949 - 76th Avenue S.E.      403/236-5252 Main  
 P.O. Box 5308, Station 'A'      800/661-5252 Toll Free  
 Calgary, Alberta, Canada T2H 1X6      403/236-4261 Fax

TITLE: **COOLER DRIVE SYSTEM**  
215-3TG COOLER

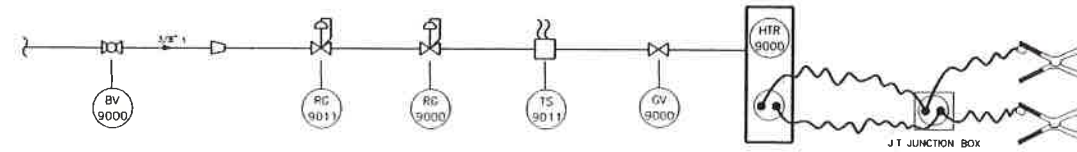
END USER/CONSULTANT: KAISER ENERGY LTD.  
 LOCATION: HERRONTON, ALBERTA  
 LSD: 16-23-21-25-W4M

REVISION: 2	DWG REFERENCE: 215-3JTG-85 Rev.0
DWG No: 018077	DWG No: 018077
DATE: 02 DEC 00	DATE: 02 DEC 00
CHK'D: B. MINSHULL	CHK'D: B. MINSHULL
REV. BY: B. MINSHULL	REV. BY: B. MINSHULL
SCALE: N.T.S.	SCALE: N.T.S.

**018077-85**  
(SHEET 1 OF 1)

BILL OF MATERIAL

ITEM	PART NO	TOTAL QUANTITY	DESCRIPTION	REV
9000	B03-9908	1.00 EA	HEATER CABLES 24x24, 24000 BTU/HR @ 66W 12V, C/W MAXI-TROL BALL VALVE AND SAFETY SHUT-OFF VALVE	
9011	B10-9075	1.00 EA	HEATER SYSTEM CONTROLS 12V, (1) B03-9908 CATADYNE 24x24 ----- (1) EA B06-316B SAFETY GRILL (1) EA B06-3143 STARTUP LEADS (1) EA B01-9924 THERMOSTAT (1) EA B01-9932 REGULATOR	



HEATER CABLES TO BE LOCATED ON COOLER END OF BUILDING


CUSTOMER CONNECTIONS			PACKAGE CONNECTIONS		
TAG	DESCRIPTION	SIZE	TAG	DESCRIPTION	SIZE

- GENERAL NOTES**
- PROCESS INSTRUMENT LINES: 316SS TUBING c/w 1/4" SWAGelok 316SS FITTINGS & 316SS FERRULES
  - UTILITY INSTRUMENT LINES: 316SS TUBING c/w 3/8" SWAGelok CAD PLATED FITTINGS & 316SS FERRULES
  - INSTRUMENT MEDIUM: CLEAN, DRY GAS.
  - ALL PIPING 2" AND UNDER TO BE XX MINIMUM.
  - ALL FITTINGS TO BE 3000# RATING UNLESS OTHERWISE NOTED.
  - CORROSION ALLOWANCE: 1/16".
  - INSTRUMENT TAGS REQUIRED:  YES  NO
  - PAINT (1) COAT: UNIVERSAL COMPRESSION STANDARD COLOR: SAPHIRE BLUE
  - ALL PSV EXHAUST PIPES TO HAVE 1/4" WEEP HOLE IN TRAP AREAS
  - AREA CLASSIFICATION: CLASS 1 DW 2 BY ENTELA
  - CONDUIT TYPE: GALVANIZED CONDUIT

**STAMP AREA**

THIS DOCUMENT IS SUPPLIED IN CONFIDENCE. REPRODUCTION OR DISTRIBUTION IN WHOLE OR PART WITHOUT THE WRITTEN PERMISSION OF UNIVERSAL COMPRESSION SERVICES IS STRICTLY PROHIBITED.

Q	KMB	ISSUED FOR FABRICATION	17 MAY 01
REV	BY	CHK'D	REVISION DESCRIPTION



**UNIVERSAL<sup>®</sup> COMPRESSION**  
 4949 - 76th Avenue SE, Calgary, Alberta, Canada T2H 1X8  
 403/238-5252 Main, 800/661-5252 Toll Free, 403/238-4261 Fax

TITLE: **BUILDING HEATER SYSTEM**  
 215-351G  
 CATADYNE HEATER SYSTEM

END USER/CONSULTANT: KAISER ENERGY LTD.  
 LOCATION: HERRONTON, ALBERTA  
 LSD: 16-23-21-25-W4M

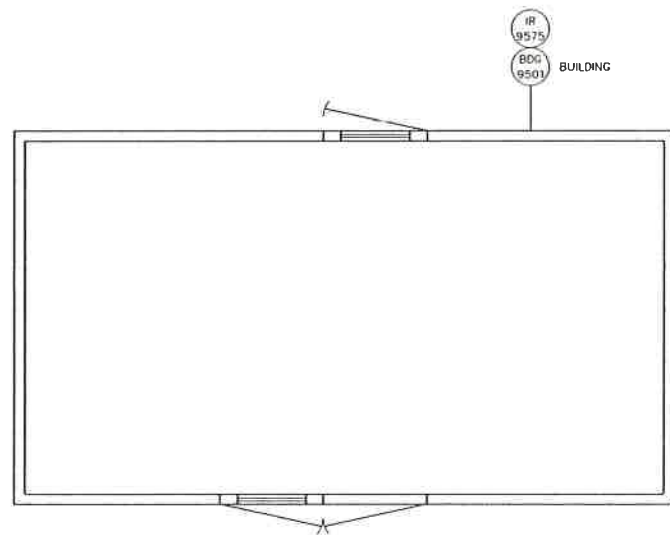
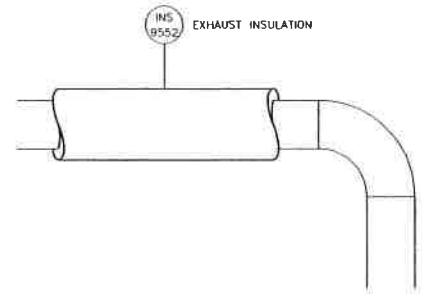
DATE: 02 DEC 00  
 DRAWN: K. BUCK  
 CHK'D: B. MINSHULL

W.D. No: 018077  
 UNIT No: 215-351G  
 No. REQ'D: ONE (1)

CUST. P.O. No:  
 REVISION: 0  
 DWG REFERENCE: 215-351G-90 Rev 0  
 DWG No: **018077-90**  
 (SHEET 1 OF 1)



14:16\_May 17, 2001



OIL  
9553

TB  
9554

WR  
9555

WR  
9556

GT  
9557

LBH  
9558

### BILL OF MATERIAL

NOTE: ITEM No. = FIRST TWO DIGITS (Operation No.), LAST TWO DIGITS (Item No.)

ITEM	PART NO	TOTAL QUANTITY	DESCRIPTION	REV
9501	813-2982	1.00 EA	BUILDING 13.6W X 17.6LG X 8.6 EAVE EXTERIOR 22 GA WALLS/ROOF INTERIOR 24 GA INSULATION R-12 WALLS/ROOF DOOR: (1) 3X7.6X7 MANDORS C/W PANE HARDWARE WIRE GLASS WINDOWS CHECK CHAINS WEATHERSTRIPPING WINDOWS (2) 40" X 40" DOUBLE GLAZED SLIDER W/SCREENS (TOP OF WINDOW TO BE 7" ABOVE SKID DECK LOGGERS (2) 12" X 16" STAMPED LOGGERS W/SLIDE GATES VENTS: 17.6" CONTINUOUS ACTIVE RIDGE C/W CHAIN OPERATORS C/W REMOVABLE ROOF SECTION	
9552	812-2131-93	1.00 EA	INSULATION EXHAUST 1" AIR SPACE RINGS 24 GA GALVANIZED UNDER SHEET 2" THK CERAMIC FIBRE INSULATION C/W ALUMINUM JACKETING	
9553	813-0049	85.15 LT	OIL LESSO, GMA40 1200 LITRES/CUBE PLEASE ENSURE MSDS IS SUPPLIED WITH THIS SHIPMENT.	
9554	803-9195	1.00 EA	BOX TOOLS B-522*	
9555	406-4096	1.00 EA	SPECIAL SPANNER WRENCH HPD.* INCLUDED WITH COMPRESSOR FRAM AT N/C	
9556	406-6412	1.00 EA	WRENCH STRUCTURAL PRTO, 2**	
9557	407-4885	1.00 EA	TOOL PISTON ROD, HPD*	
9558	805-0325	1.00 EA	LOG BOOK HOLDER*	
9571	ELECTRICAL-180	1.00 EA	KC180 - ELECTRICAL	
9575	813-3066	36.00 FT	BUILDING OPTION ICE RAKES FOR W/SEA BUILDINGS	

Path: M:\WC\018077\U&ID\018077-95.dwg

#### CUSTOMER CONNECTIONS

TAG	DESCRIPTION	SIZE

#### PACKAGE CONNECTIONS

TAG	DESCRIPTION	SIZE

#### GENERAL NOTES

- PROCESS INSTRUMENT LINES: 316SS TUBING c/w 1/4" SWAGelok  
316SS FITTINGS & 316SS FERRULES
- UTILITY INSTRUMENT LINES: 316SS TUBING c/w 3/8" SWAGelok  
CAD PLATED FITTINGS & 316SS FERRULES
- INSTRUMENT MEDIUM: CLEAN, DRY GAS
- ALL PIPING 2" AND UNDER TO BE XH MINIMUM
- ALL FITTINGS TO BE 3000# RATING UNLESS OTHERWISE NOTED
- CORROSION ALLOWANCE: 1/16"
- INSTRUMENT TAGS REQUIRED:  YES  NO
- PAINT (1) COAT: UNIVERSAL COMPRESSION STANDARD  
COLOR: SAPHIRE BLUE
- ALL PSV EXHAUST PIPES TO HAVE 1/4" WEEP HOLE IN TRAP AREAS
- AREA CLASSIFICATION: CLASS 1 DW 2 BY ENTELA
- CONDUIT TYPE: GALVANIZED CONDUIT

STAMP AREA

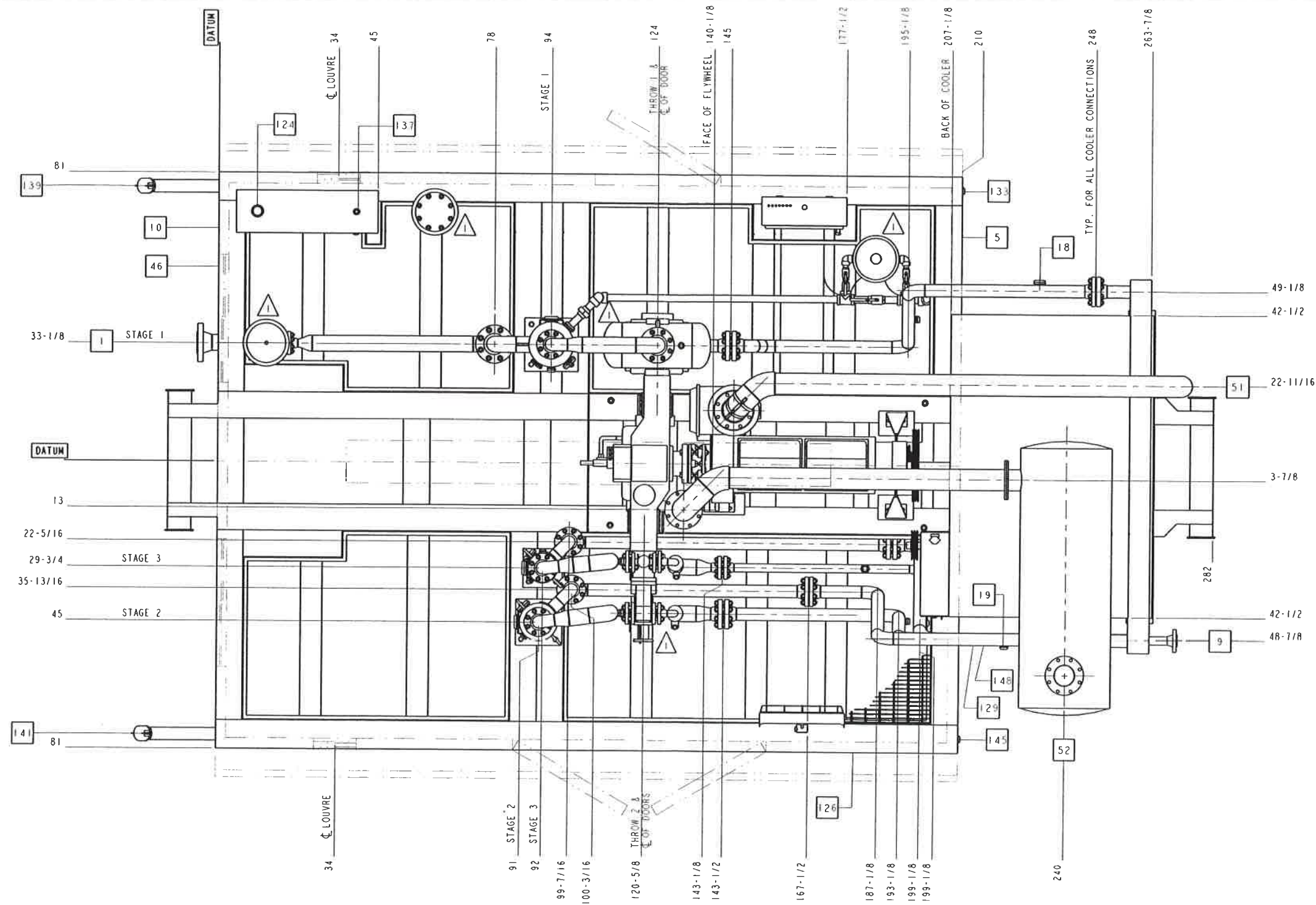
**UNIVERSAL<sup>®</sup> COMPRESSION**  
4949 - 76th Avenue S.E. 403/236-5252 Main  
P.O. Box 5308, Station "A" 800/661-5252 Toll Free  
Calgary, Alberta, Canada T2H 1X5 403/236-4261 Fax

TITLE: MISCELLANEOUS OTHER SCHEMATIC  
(COMP.), (ENG.), (COOLER) GENERIC  
MISCELLANEOUS EQUIPMENT AND ACCESSORIES SCHEMATIC

END USER/CONSULTANT: KAISER ENERGY LTD. CUST. P.O. No:  
LOCATION: HERRONTON, ALBERTA REVISION: 0  
LSD: 16-23-21-25-W4M  
DRAWN: K. BUCK W/O No: 018077  
DATE: 02 DEC 00 UNIT No: 215-3STG  
CHK'D: B. MINSHULL N/A PROJ'D: ONE (1) DWG No:  
PROJ CO: B. MINSHULL SCALE: N.T.S. 018077-95  
(SHEET 1 OF 1)

THIS DOCUMENT IS SUPPLIED IN CONFIDENCE. REPRODUCTION OR DISTRIBUTION IN WHOLE OR PART WITHOUT THE WRITTEN PERMISSION OF UNIVERSAL COMPRESSION SERVICES IS STRICTLY PROHIBITED.

REV	BY	CHK'D	REVISION DESCRIPTION	DATE
0	KMB		ISSUED FOR FABRICATION	17 MAY 01



**GENERAL NOTES**

1. IT IS UC'S RECOMMENDATION THAT ANY PRE-SPOOLING TO THIS COMPRESSOR PACKAGE CONTAIN FIELD WELDS AT ALL CUSTOMER CONNECTIONS.
2. ALL PIPING MUST BE SELF SUPPORTING BEYOND THIS COMPRESSOR PACKAGE.
3. ALL DIMENSIONS ARE IN INCHES (UNLESS OTHERWISE SPECIFIED).
4. DIMENSIONS IN "BOLD PRINT" DENOTE REFERENCE DIMENSIONS.
5. DO NOT SCALE THIS DRAWING FOR CONSTRUCTION PURPOSES.
6. PRIMER: ..... W/R
7. PAINT: PACKAGE - (1) COAT UC STANDARD - SAPPHIRE BLUE  
GRATING - (1) COAT MACHINE ENAMEL - BLACK
8. DENOTES RECOMMENDED LOCATION OF SUPPORTS REQUIRED TO AID THE OUTBOARD CYLINDER SUPPORTS.
8. DENOTES CENTER OF GRAVITY. (TBA)

TAG	DESCRIPTION	SIZE
1	PROCESS GAS INLET	6" EGGN RT
5	BLOWDOWN VENT	1" FNPT
9	FINAL DISCHARGE	2" EGGN RT
10	SCROBBER DRAIN HEADER	1" FNPT
18	STAGE 1 PSV VENT	2" FNPT
19	STAGE 2 PSV VENT	1" FNPT
20	STAGE 3 PSV VENT	1" FNPT
48	FUEL & START GAS INLET	1 1/2" NPT
51	ENGINE AIR INTAKE	6" DIA
52	ENGINE EXHAUST	8" DIA
124	LUBE OIL TANK FILL	1" NPT
128	E. J. W. FILL	3/4" NPT
129	STARTER EXHAUST	2" DIA
130	COMPRESSOR CRANKCASE VENT	3/4" I
133	WASTE OIL TANK VENT	3/4" I
137	LUBE OIL TANK VENT	1 1/2" I

TAG	DESCRIPTION	SIZE
139	WASTE OIL TANK PUMPOUT	3" CAMLOCK
141	GLYCOL PUMPOUT	3" CAMLOCK
143	GLYCOL TANK VENT	1/2" TUBING
148	ENGINE CRANKCASE VENT	1 1/2" DIA

DESCRIPTION	SHIPPING ARRANGEMENT	WEIGHT (LBS)
COMPRESSOR	MOUNTED	2,000
DRIVER	MOUNTED	2,900
COOLER	MOUNTED	5,000
SKID	MOUNTED	26,200
VESSEL	MOUNTED	1,800
EXHAUST SYSTEM	MOUNTED/LOOSE	700
MISC.	MOUNTED/LOOSE	11,200
CRANE	N/A	
BUILDING	MOUNTED	2,500
TOTAL APPROX. SHIPPING WEIGHT		48,000
TOTAL APPROX. WEIGHT OF ALL EQUIPMENT		88,000

DESCRIPTION	LENGTH FT-IN (mm)	WIDTH FT-IN (mm)	HEIGHT FT-IN (mm)
SHIPPING	24'-8"	14'-8"	13'-5"
OVERALL	24'-8"	14'-8"	17'-4"

**UNIVERSAL COMPRESSION**  
 4909 - 16th Avenue S.E. 403-2336-5050 Main  
 P.O. Box 2588, Station A 403-681-3252 Toll Free  
 Calgary, Alberta, Canada T2M 1K8 403-2334-4261 Fax

GENERAL ARRANGEMENT  
 GEMINI H302, CATERPILLAR 3406NA, AMERCOOL 60VC1  
 NATURAL GAS COMPRESSOR PACKAGE

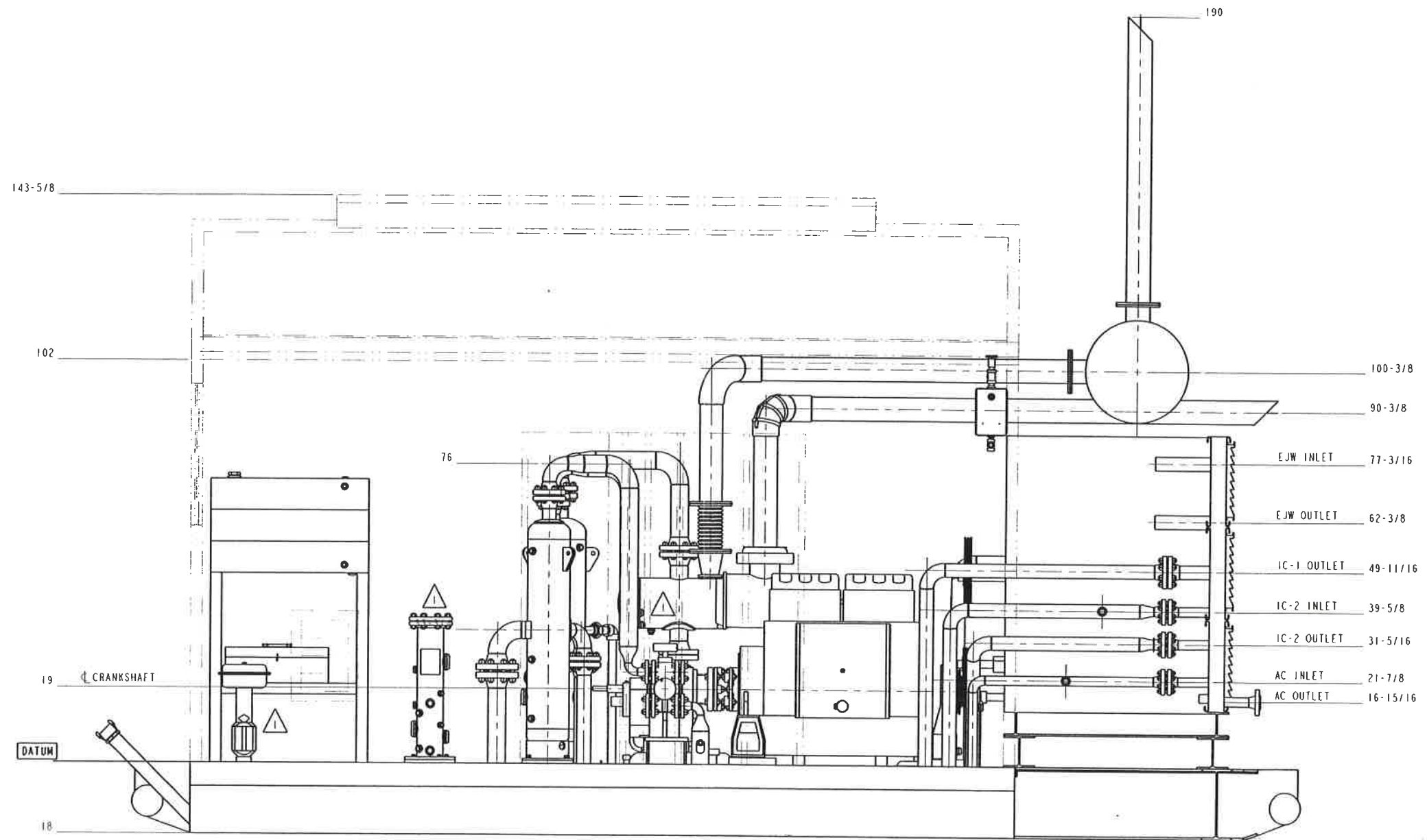
DATE: 08-Feb-01	UNIT No: WC215-35TG	REV: 0
CHG'D: B. WINSHULL	No. REQ'D: ONE PER W.O.	SCALE: 1:16
PRJ. LDR: B. WINSHULL	DATE: 17 MAY 01	

**018077-2A**

THIS DOCUMENT IS SUPPLIED IN CONFIDENCE. REPRODUCTION OR DISTRIBUTION IN WHOLE OR IN PART WITHOUT THE WRITTEN PERMISSION OF UNIVERSAL COMPRESSION IS STRICTLY PROHIBITED.

STAMP AREA





**GENERAL NOTES**

1. IT IS UC'S RECOMMENDATION THAT ANY PRE-SPOOLING TO THIS COMPRESSOR PACKAGE CONTAIN FIELD WELDS AT ALL CUSTOMER CONNECTIONS
2. ALL PIPING MUST BE SELF SUPPORTING BEYOND THIS COMPRESSOR PACKAGE
3. ALL DIMENSIONS ARE IN INCHES (UNLESS OTHERWISE SPECIFIED)
4. DIMENSIONS IN "BOLD PRINT" DENOTE REFERENCE DIMENSIONS
5. DO NOT SCALE THIS DRAWING FOR CONSTRUCTION PURPOSES
6. PRIMER: N/R  
PAINT: PACKAGE - (1) COAT UC STANDARD - SAPPHIRE BLUE  
GRATING - (1) COAT MACHINE ENAMEL - BLACK
7. DENOTES RECOMMENDED LOCATION OF SUPPORTS REQUIRED TO AID THE OUTBOARD CYLINDER SUPPORTS
8. DENOTES CENTER OF GRAVITY, (1BA)

**CUSTOMER CONNECTIONS**

TAG	DESCRIPTION	SIZE

**CUSTOMER CONNECTIONS**

TAG	DESCRIPTION	SIZE

**ESTIMATED WEIGHTS**

DESCRIPTION	SHIPPING ARRANGEMENT	WEIGHT (lb)
COMPRESSOR	MOUNTED	
DRIVER	MOUNTED	
COOLER	5 LOOSE	
TRIP	MOUNTED/5 LOOSE	
VESSEL	MOUNTED	
EXHAUST SYSTEM	MOUNTED/5 LOOSE	
MISC.	MOUNTED/5 LOOSE	
GRATE	5 LOOSE	
BUILDING	FIELD ERECTED	
TOTAL APPROX. SHIPPING WEIGHT		
TOTAL APPROX. WEIGHT OF ALL EQUIPMENT		

**OVERALL DIMENSIONS**

DESCRIPTION	LENGTH FT-IN (mm)	WIDTH FT-IN (mm)	HEIGHT FT-IN (mm)
SHIPPING			
OVERALL			

**STAMP AREA**

THIS DOCUMENT IS SUPPLIED IN CONFIDENCE. REPRODUCTION OR DISTRIBUTION IN WHOLE OR IN PART WITHOUT THE WRITTEN PERMISSION OF UNIVERSAL COMPRESSION IS STRICTLY PROHIBITED.

REV. 01	BY	CM'D	ISSUED FOR FABRICATION	DATE	17 MAY 01
REV. 02	BY	CM'D	ISSUED FOR FABRICATION	DATE	26 SEPT 01



**GENERAL ARRANGEMENT**  
GEMINI H302, CATERPILLAR 3406NA, AMERCOOL 60VCI  
NATURAL GAS COMPRESSOR PACKAGE

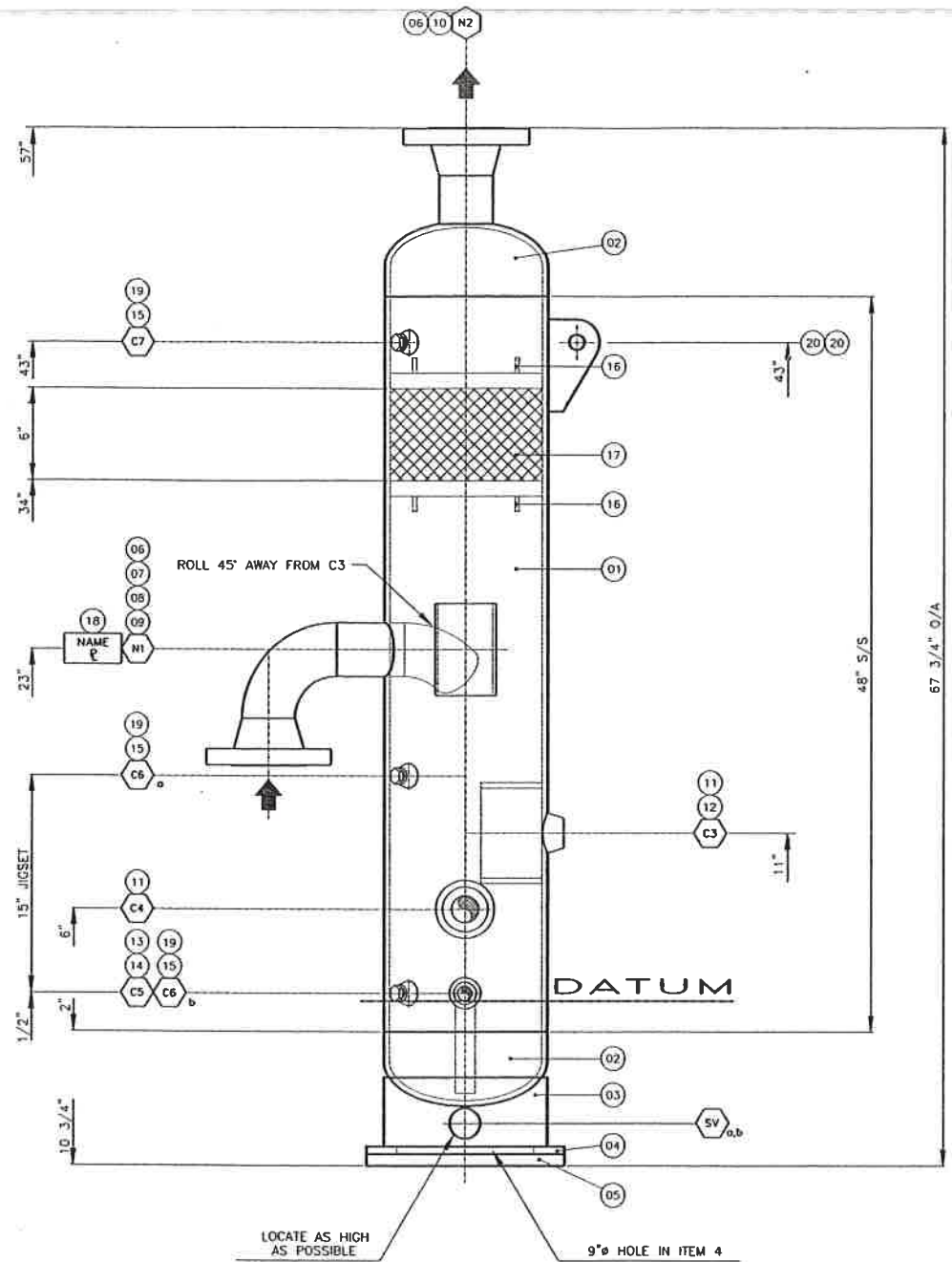
**KAISER ENERGY LTD.**  
HERBERTON, ALBERTA  
LSD: 16-23-21-25-WAN

DRWN	J.M.	W.O. No.	018077
DATE	08-Feb-01	UNIT No.	WC215-35TG
CHK'D	B. MINSHULL	No. REQ'D	ONE PER W.O.
PRJ. LDR.	B. MINSHULL	SCALE	1:1A

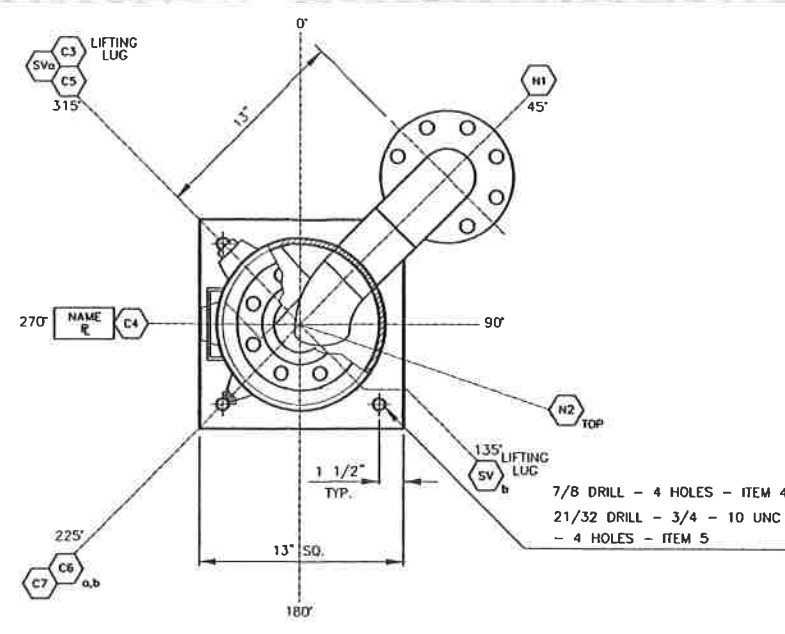
018077-2B



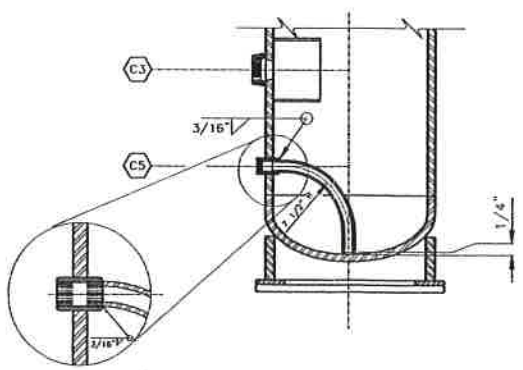
Plot date: 15.5.2001



**ELEVATION**  
(NOTE: NOT TRUE ORIENTATION)



**ORIENTATION**  
(TOP VIEW)



**AUTO DUMP/ DRAIN DETAIL**

**BILL OF MATERIAL**

NOTE: ITEM No. = FIRST TWO DIGITS (Operation No.), LAST TWO DIGITS (item No.)

ITEM	PART No.	TOTAL QUANTITY	DESCRIPTION	REV
1701	800-0957	4.00 FT	PIPE, SA106-B, SMLS, 10, STD*	
			1 Ø 48" (SHELL)	
1702	802-0557	2.00 EA	CAP. WELD, 10, STD, SA234-WPB	
			(MIN 0.32" THK.)	
1703	800-0957	42 FT	PIPE, SA106-B, SMLS, 10, STD*	
			1 Ø 5" CTS. (SKIRT)	
1704	600-7962	1.09 SF	PLATE, 1/2, MILD STEEL*	
			1 Ø 13" X 13" (BASE PLATE)	
1705	601-1402	1.09 SF	PLATE, 3/4, MILD STEEL*	
			1 Ø 13" X 13" (SOLE PLATE)	
1706	802-0354	2.00 EA	FLANGE, RFWN, 3-600, S160, SA105N	
			(N1, N2)	
1707	802-1148	1.00 EA	ELBOW, 3, S160, LR, 90, SA234-WPB	
			(N1)	
1708	802-0751	1.00 EA	ELBOW, 3, XH, LR, 45, SA234-WPB*	
			(N1)	
1709	800-0819	41 FT	PIPE, SA106-B, SMLS, 3, S160	
			1 Ø 4 13/16" (N1)	
1710	800-0819	.30 FT	PIPE, SA106-B, SMLS, 3, S160	
			1 Ø 3 9/16" (N2)	
1711	600-8059	2.00 EA	TOL 2-3000, SA105N*	
			(C3, C4) - ON 10" PIPE	
1712	600-8229	.42 FT	PIPE, SA106-B, SMLS, 6, STD*	
			1 Ø 5" CTS. (C3)	
1713	803-1118	1.00 EA	COUPLING, 1-3000, SW, SCR, SA105N,	
			2 3/8" LONG	
			(C5)	
1714	600-2429	1.20 FT	PIPE, SA106-B, SMLS, 1, S160*	
			1 Ø 14" CTS. (C5)	
1715	600-7946	3.00 EA	TOL, D. 75-3000, SA105N*	
			(C6a, b, C7) - ON 10" PIPE	
1716	801-0619	.23 SF	PLATE, 1/4, SA516-70N*	
1717	803-0713	1.00 EA	DEMISTER, PAD, 10X6, #90, 304SS,	
			C/W C.S. GRIDS	
1718	803-6424	1.00 EA	BRACKET, NAMEPLT, SCRU, SA516-7N* 3	
			C/W WECC STD NAMEPLATE S.S.	
			6.75" X 4.5" BROKEN AT SIDES	
			1.5", WITH 4 Ø 1/8" HOLES	
1719	600-3911	3.00 EA	PLUG, HEX, D. 75-6000, SA105N*	
			(C6a, b, C7)	
1720	809-7670	2.00 EA	LUG, LIFTING, SCRUBBER*	
			SHELL MOUNTED, SA516-70N	
			VESEL WEIGHT UP TO 8500 LB.	

**NOZZLE SCHEDULE**

MARK	SERVICE	QTY	SIZE	RGT. & FACING	NECK	NOZZLE #	PROJECTION	WELD	FILLET	REPAD	
							INTERNAL	EXTERNAL	DETAIL	"R"	"S"
N1	INLET	1	3"	600# RFWN	S160	3 1/2"	1"	7 5/8"	5.6	3/8"	3/8"
N2	OUTLET	1	3"	600# RFWN	S160	3 1/2"	0"	6 1/8"	3.7	3/8"	-
C3	LSH	1	2"	3000# TOL	-	-	-	-	8	3/8"	-
C4	LC	1	2"	3000# TOL	-	-	-	-	8	3/8"	-
C5	AUTO DUMP/DRAIN	1	1"	3000# CPLG	-	-	3/8" MIN	-	6	3/8"	-
C6a/b	LG(FUTURE)/INSPECTION	2	3/4"	3000# TOL	-	-	-	-	8	3/8"	-
C7	T(FUTURE)/INSPECTION	1	3/4"	3000# TOL	-	-	-	-	8	3/8"	-
Sva/b	SKIRT VENT	2	2"	-	-	-	-	-	-	-	-

**GENERAL NOTES**

- ALL FLANGE BOLT HOLES TO STRADDLE HORIZONTAL AND VERTICAL NOZZLE CENTERLINES UNLESS OTHERWISE SPECIFIED.
- PREPARATION: CLEAN ENTIRE VESSEL OF WELD SLAG AND OTHER FOREIGN MATERIALS. CHEMICALLY CLEAN, INTERNAL OIL. EXTERNAL SANDBLAST SSPC-SP6
- PRIMER: (1) COAT ZINC CHROMATE (SHOP PRIMER)
- PAINT: (2) COATS MACHINE ENAMEL (SAPPHIRE BLUE), (CLEVERALE OC 261).
- TACK WELDING TO PROCEDURE WPS 101.
- SEE DWG. # 809-7670 FOR LIFTING LUG DETAILS.
- SHOP MAY SUBSTITUTE THE FOLLOWING MATERIALS FOR THOSE LISTED: PIPE: SA333-GR.6 FOR SA106-B, FORGINGS: SA350-LF2 FOR SA105N, FITTINGS: SA420-WPL6 FOR SA234-WPB.
- IF PWHT IS PERFORMED, THE WELDING PROCEDURE SPECIFICATIONS WILL CHANGE AS FOLLOWS:  
CHANGE WPS-101 TO WPS-102  
CHANGE WPS-103 TO WPS-104  
CHANGE WPS-105 TO WPS-106  
CHANGE WPS-107 TO WPS-108

**VESSEL DESIGN DATA**

CONSTRUCTION	ASME SECT. VIII, DIV 1, UW11(a), 1998ED, 2000A.
DESIGN PRESSURE	500 PSIG @ 350°F
DESIGN TEMP.	350°F
MIN. DESIGN METAL TEMP.	-20°F @ 500 PSIG
CORROSION ALLOWANCE	0.125"
RADIOGRAPHY	RT-2 PER UW11(a)(5)(b) OR RT-1 PER UW11(a)
HYDROSTATIC TEST	650 PSIG
IMPACT TEST	EXEMPT PER UG20(1), 1-5
POST WELD HEAT TREAT.	NOT REQUIRED, IF INCLUDED PERFORM AT 1150°F FOR 60 MINUTES
APPROX. CAPACITY	2.74 cu.ft.
SHIPPING WEIGHT (MASS)	350 lbs
NATIONAL BOARD REG.	NO
QC PROGRAM REGISTRATION	NO: ADP-100B(S)
WELDING PROCEDURE REGIST.	NO: WP970.2

**STAMP AREA**

THIS DOCUMENT IS SUPPLIED IN CONFIDENCE. REPRODUCTION OR DISTRIBUTION IN WHOLE OR PART WITHOUT THE WRITTEN PERMISSION OF UNIVERSAL COMPRESSION INC. IS STRICTLY PROHIBITED.

REV.	BY	CHK'D	REVISION DESCRIPTION	DATE
0	MD		ISSUED FOR FABRICATION	8 AUG 01

**GEMINI SUCTION SCRUBBER**

END USER/CONSULTANT	UCI STANDARD MAKE PART	CUST. P.O. No.:	
LOCATION:	TBA	REVISION:	0
DATE:	28 JAN 95	DWG. REFERENCE:	809-3159 -1 Rev.0
CHK'D:		SCALE:	2"=1'-0"
PROJ. COI:	G. McCLUAIG		

Path: M:\WC\018077\018077-1702.dwg

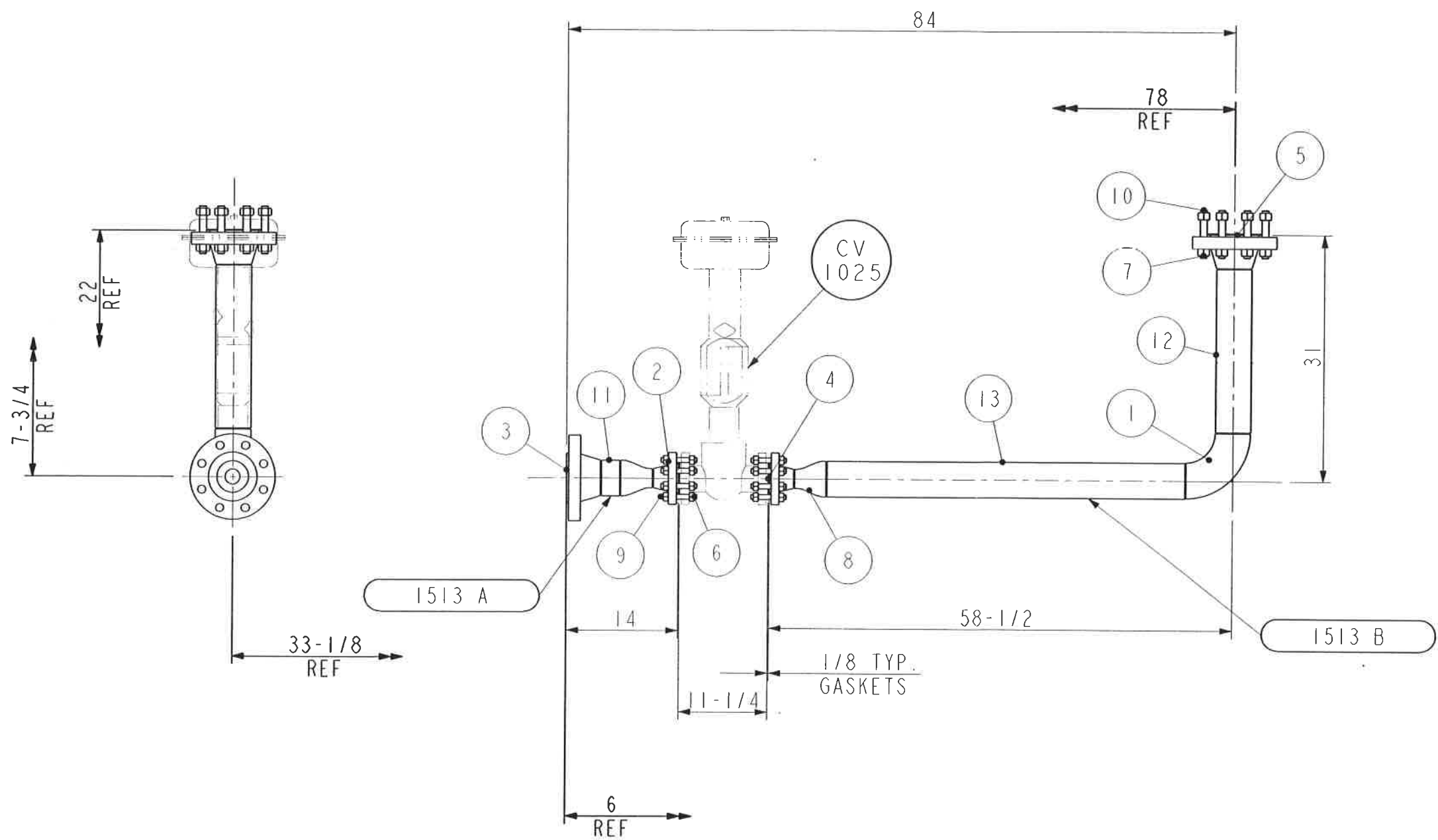
LONG & CIRC. SEAMS	TRANSITION	PIPE TO FLANGE	NOZZLE/REPAD RECESSED	NOZZLE/REPAD FLUSH	NOZZLE RECESSED	CPLG/ NOZZLE FLUSH	THREADOLET	SHIRT TO SHELL	INTERNALS ATTACH.	LIFTING LUG	BOTTOM DRAIN	LONG & CIRC. SEAMS
1. W ROOT PASS	2. GMAW ROOT PASS	3. GMAW ROOT PASS	4. INSIDE PROJ.	5. INSIDE PROJ.	6. INSIDE PROJ.	7. 1/8"	8. TO SUIT	9. NOTE: WELD ON BOTH SIDES FOR VESSELS OVER 20" O.D.	10. WHERE DOUBLESIDE WELDS ARE NOT ACCESSIBLE, USE FULL PEN WELD FROM ONE ACCESSIBLE SIDE.	11. 3/8"	12. 1/4" MIN.	13. 2/3 INSIDE
WPS 103	WPS	WPS 103	WPS	WPS	WPS 101	WPS 101	WPS 101	WPS 101	WPS 101	WPS 101	WPS 101	WPS

017057-1

P3657.213

018077-1702 (SHEET 1 OF 1)





BILL OF MATERIAL

NOTE: ITEM No = FIRST TWO DIGITS (WORK CENTER), LAST TWO DIGITS (ITEM No.)

ITEM	PART No.	QTY	STOCK REQ	DESCRIPTION
1501	600-8391	1		ELBOW, 4, STD, LR, 90, SA234-WPB
1502	601-1605	2		FLANGE, RFWN, 2-600, XH, SA105N
1503	602-6988	2		FLANGE, RFWN, 4-600, STD, SA105N
1504	800-2666	2		GASKET, FLEX, 2-3, 4-600RF, CHLOROCARB, 316SS
1505	800-2763	1		GASKET, FLEX, 4-600RF, CHLOROCARB, 316SS
1506	801-8614	32		NUT, 0.62, SA194-2HM
1507	801-8639	16		NUT, 0.87, SA194-2HM
1508	809-1562	2		RED, CONC, 4x2, STD/XH, SA234-WPB
1509	801-6305	16		STUD, 0.62x4.50, SA193-B7M
1510	801-6524	8		STUD, 0.87x6.00, SA193-B7M
1511	600-8245	1	2.265	PIPE, SA106-B, SMLS, 4, STD
1512	600-8245	1	20.505	PIPE, SA106-B, SMLS, 4, STD
1513	600-8245	1	45.000	PIPE, SA106-B, SMLS, 4, STD

SPOOL DESIGN/TEST DATA

SERVICE/LINE No.	D.P. & D.T.	TEST PRESS.	TEST MEDIUM	VOLUME
1513 A/B	1290 PSIG @ 350°F	2220 PSIG	WATER	

GENERAL NOTES

1. THIS DRAWING IS NOT TO BE USED FOR CONSTRUCTION UNLESS STAMPED "RELEASED FOR FABRICATION".
2. ALL DIMENSIONS ARE IN INCHES.
3. DESIGN TO ASME B31.3-1999 EDITION, 2000 ADDENDA.
4. CORROSION ALLOWANCE: 0.0625"
5. WELDING IN ACCORDANCE WITH PROCEDURE WP970.2.
6. ALL TACK WELDS AND NON-PRESSURE RETAINING WELDS PER WPS 101.
7. FABRICATION OF WELDS IN ACCORDANCE WITH WPS 101 AND WPS 103.
8. RADIOGRAPHY 5X
9. OTHER NON-DESTRUCTIVE EXAMINATION - VISUAL
10. POSTWELD HEAT TREATMENT: NOT REQUIRED
11. DIMENSIONS IN BOLD PRINT DENOTE REFERENCES.
12. G.M.A.W. ROOT PASS ONLY / ALL POSITIONAL WELDS TO BE WPS 101.
13. ALL PIPING IS DESIGNATED WITH 1/8" ROOT GAP AND SHRINKAGE.
14. ALL FLANGE BOLT HOLES SHALL BE STRADDLE HORIZONTAL AND VERTICAL CENTERLINES UNLESS OTHERWISE SPECIFIED.

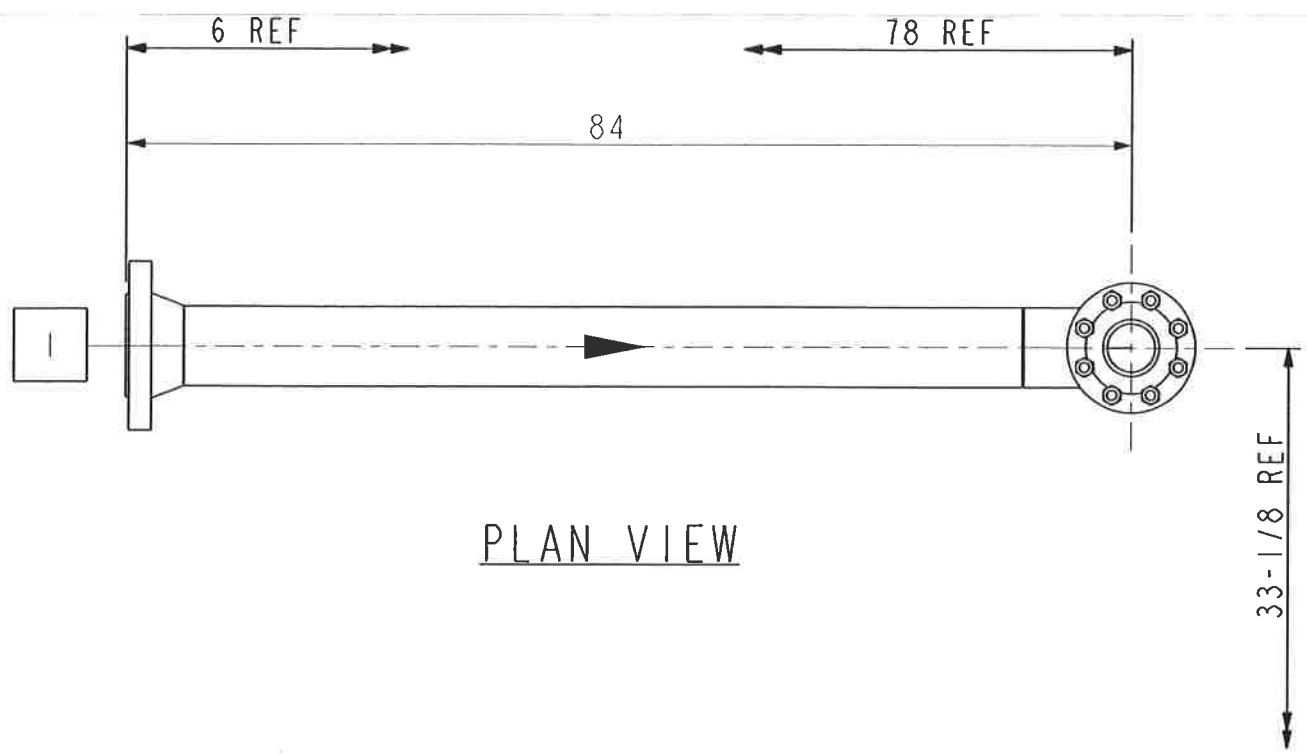
THIS DOCUMENT IS SUPPLIED IN CONFIDENCE. REPRODUCTION OR DISTRIBUTION IN WHOLE OR IN PART WITHOUT THE WRITTEN PERMISSION OF UNIVERSAL COMPRESSION IS STRICTLY PROHIBITED.

0	KMB	ISSUED FOR FABRICATION	27 SEPT 01
REV. BY	CHK'D	ECR No. or REVISION DESCRIPTION	DATE

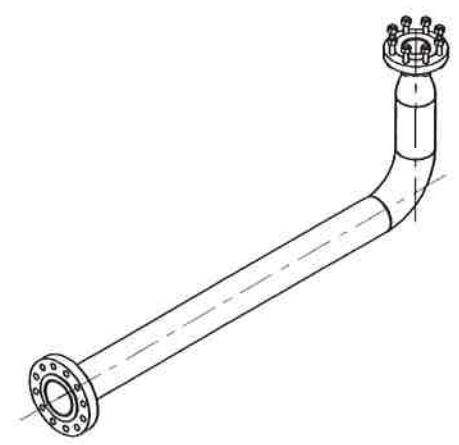
**UNIVERSAL COMPRESSION**  
 4949 - 76th Avenue S.E. 403/236-5252 Main  
 P.O. Box 5308, Station A 800/661-5252 Toll Free  
 Calgary, Alberta, Canada T2H 1X6 403/236-4261 Fax

TITLE: **PROCESS SPOOL**  
 STAGE ONE INLET WITH AUTO SUCTION

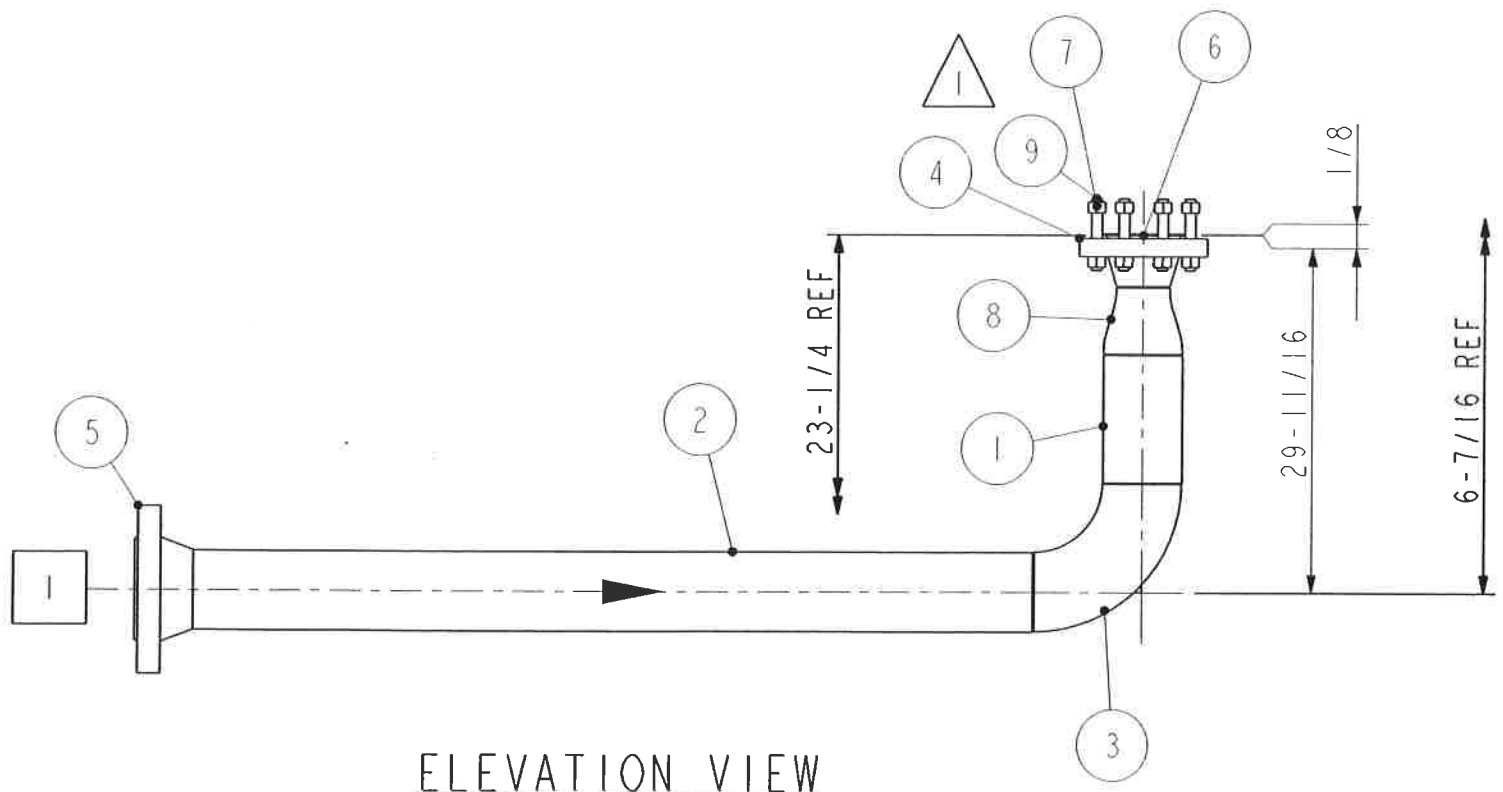
END USER/CONSULTANT: <b>LEASE FLEET</b>		CUST. P.O. No.	
LOCATION: <b>location Isd</b>		REV. <b>0</b>	DWG. REFERENCE:
DRAWN: <b>K. BUCK</b>	W.O. No. <b>018077</b>	DWG. No.	
DATE: <b>27-Sep-01</b>	UNIT No. <b>215-3STG</b>	<b>018077-1513</b>	
CHK'D: <b>K. BUCK</b>	No. REQ'D <b>ONE PER W.O.</b>	(SHEET 1 OF 1)	
PRJ. LDR. <b>B. MINSHULL</b>	SCALE: <b>1:16</b>		



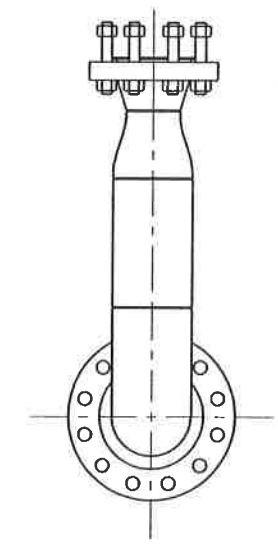
PLAN VIEW



ISO VIEW  
SCALE 1:32



ELEVATION VIEW



END VIEW

BILL OF MATERIAL

NOTE: ITEM No. - FIRST TWO DIGITS (WORK CENTER), LAST TWO DIGITS (ITEM No.)

ITEM	PART No.	QTY	STOCK REQ	DESCRIPTION
1501	600-8229	1	10.567	PIPE, SA106-B, SMLS, 6, STD
1502	600-8229	1	74.875	PIPE, SA106-B, SMLS, 6, STD
1503	601-9682	1		ELBOW, 6, STD, LR, 90, SA234-WPB
1504	602-6988	1		FLANGE, RFWN, 4-600, STD, SA105N
1505	802-0102	1		FLANGE, RFWN, 6-600, STD, SA105N
1506	800-2763	1		GASKET, FLEX, 4-600RF, CHLOROCARB, 316SS
1507	801-8639	16		NUT, 0.87, SA194-2HM
1508	601-7738	1		RED, CONC, 6x4, STD, SA234-WPB
1509	801-6524	8		STUD, 0.87x6.00, SA193-B7M

SPOOL DESIGN/TEST DATA

SERVICE/LINE No.	D.P. @ D.T.	TEST PRESS.	TEST MEDIUM	VOLUME
1501	1290 PSIG @ 350°F	2220 PSIG	HYDRO	cu. ft.

GENERAL NOTES

- THIS DRAWING IS NOT TO BE USED FOR CONSTRUCTION UNLESS STAMPED "RELEASED FOR FABRICATION"
- ALL DIMENSIONS ARE IN INCHES.
- DESIGN TO ASME B31.3-1999 EDITION, 2000 ADDENDA.
- CORROSION ALLOWANCE: 0.0625"
- WELDING IN ACCORDANCE WITH PROCEDURE WP970.2
- ALL TACK WELDS AND NON-PRESSURE RETAINING WELDS PER WPS 101.
- FABRICATION OF WELDS IN ACCORDANCE WITH WPS 101 AND WPS 103.
- RADIOGRAPHY 5X
- OTHER NON-DESTRUCTIVE EXAMINATION - VISUAL.
- POSTWELD HEAT TREATMENT: NOT REQUIRED.
- DIMENSIONS IN BOLD PRINT DENOTE REFERENCES.
- G.M.A.W. ROOT PASS ONLY / ALL POSITIONAL WELDS TO BE WPS 101.
- ALL PIPING IS DESIGNATED WITH 1/8" ROOT GAP AND SHRINKAGE.
- ALL FLANGE BOLT HOLES SHALL BE STRADDLE HORIZONTAL AND VERTICAL CENTERLINES UNLESS OTHERWISE SPECIFIED.

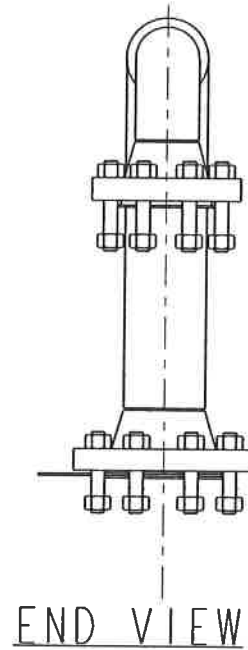
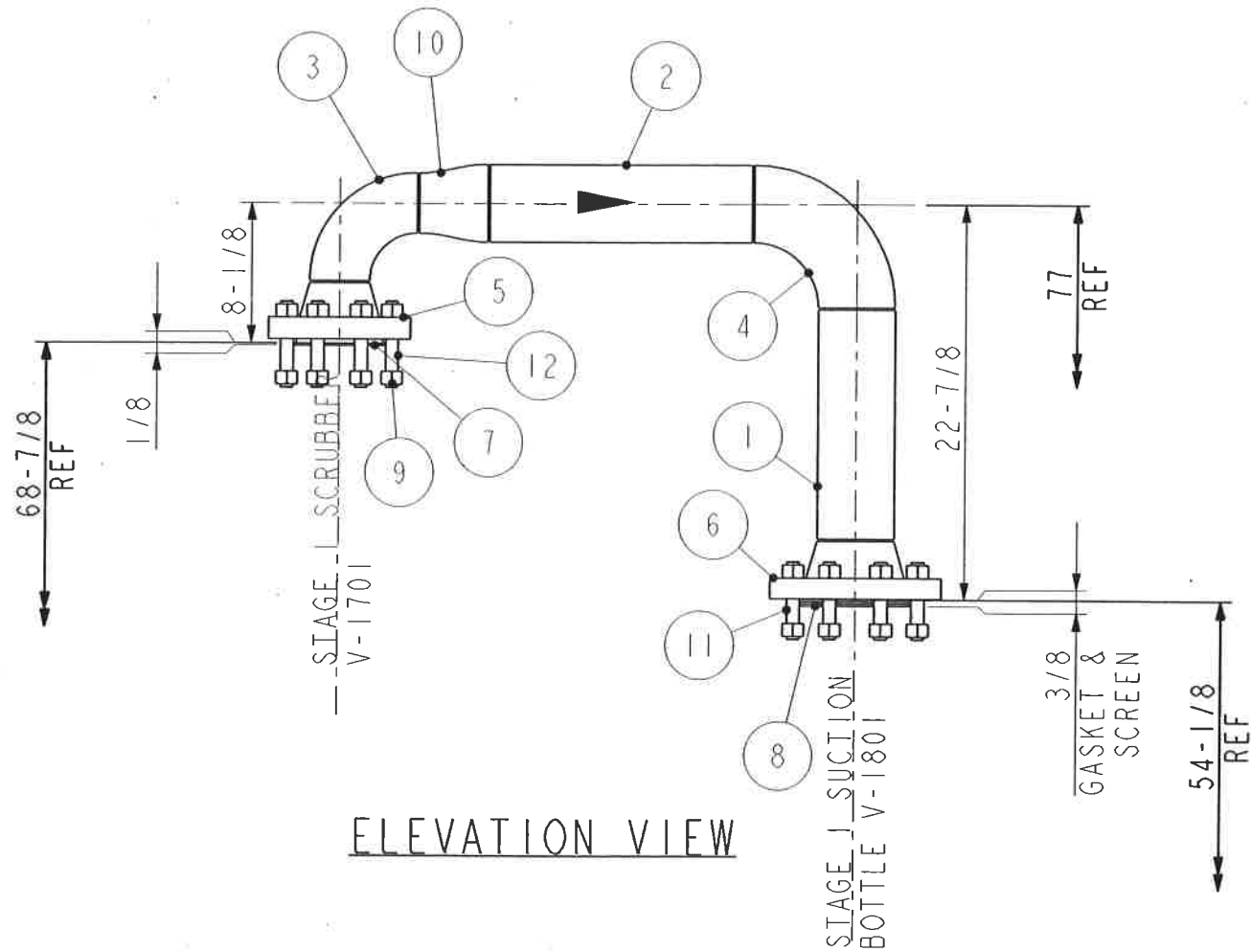
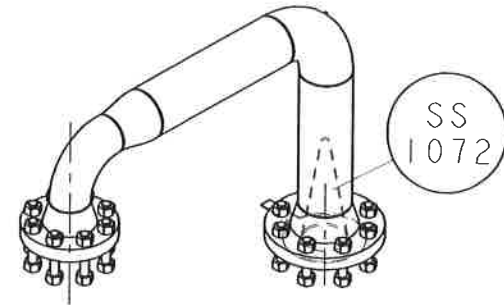
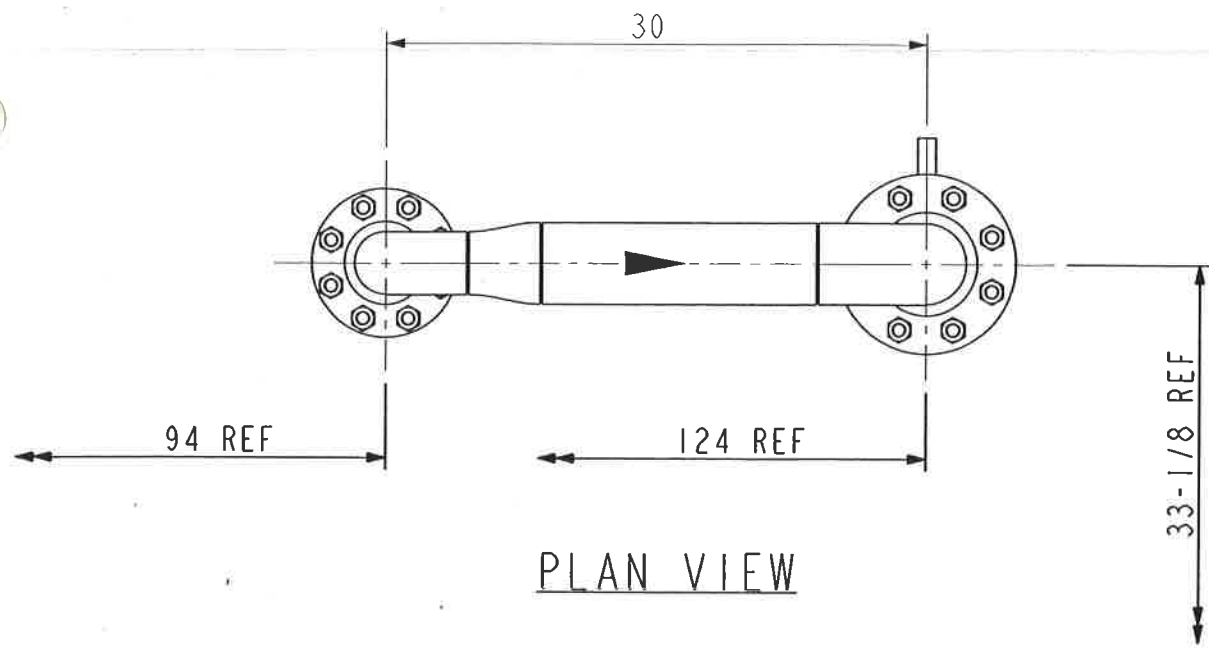
THIS DOCUMENT IS SUPPLIED IN CONFIDENCE. REPRODUCTION OR DISTRIBUTION IN WHOLE OR IN PART WITHOUT THE WRITTEN PERMISSION OF UNIVERSAL COMPRESSION IS STRICTLY PROHIBITED.

REV.	BY	CHK'D	ECR No. or REVISION DESCRIPTION	DATE
1	KMB	<i>[Signature]</i>	ADDED BOM BALLOONS	24 MAY 01
0	KMB	KMB	ISSUED FOR FABRICATION	17 MAY 01

TITLE: **PROCESS SPOOL**  
PROCESS INLET TO STAGE 1 SCRUBBER

END USER/CONSULTANT:	LEASE FLEET	CUST. P.O. No.	TBA
LOCATION:	TBA LSD: TBA	REV.	1
DRAWN:	J.M.	W.O. No.	018077
DATE:	08-Feb-01	UNIT No.	WC-215-3STG
CHK'D:	<i>[Signature]</i>	No REQ'D	ONE PER W.O.
PRJ LDR	B. MINSHULL	SCALE:	1:16
DWG. REFERENCE:			WC215-3STG-1501 Rev 0
DWG. No.			018077-1501
(SHEET 1 OF 1)			





BILL OF MATERIAL

NOTE: ITEM No = FIRST TWO DIGITS (WORK CENTER), LAST TWO DIGITS (ITEM No.)

ITEM	PART No.	QTY	STOCK REQ	DESCRIPTION
1501	600-8245	1	13.250	PIPE, SA106-B, SMLS, 4, STD
1502	600-8245	1	15.125	PIPE, SA106-B, SMLS, 4, STD
1503	601-9755	1		ELBOW, 3, STD, LR, 90, SA234-WPB
1504	600-8391	1		ELBOW, 4, STD, LR, 90, SA234-WPB
1505	600-8342	1		FLANGE, RFWN, 3-600, STD, SA105N
1506	801-9927	1		FLANGE, RFWN, 4-300, STD, SA105N
1507	800-2682	1		GASKET, FLEX, 3-3, 4-600RF, CHLOROCARB, 316SS
1508	800-2609	2		GASKET, FLEX, 4-300RF, CHLOROCARB, 316SS
1509	801-8622	32		NUT, 0.75, SA194-2HM
1510	601-1987	1		RED, CONC, 4x3, STD, SA234-WPB
1511	801-6387	8		STUD, 0.75x4.50, SA193-B7M
1512	801-6402	8		STUD, 0.75x5.00, SA193-B7M

SPOOL DESIGN/TEST DATA

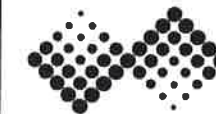
SERVICE/LINE No.	D.P. @ D.T.	TEST PRESS.	TEST MEDIUM	VOLUME
1502	645 PSIG @ 350°F	1110 PSIG	HYDRO	cu. ft.

GENERAL NOTES

1. THIS DRAWING IS NOT TO BE USED FOR CONSTRUCTION UNLESS STAMPED "RELEASED FOR FABRICATION".
2. ALL DIMENSIONS ARE IN INCHES.
3. DESIGN TO ASME B31.3-1999 EDITION, 2000 ADDENDA.
4. CORROSION ALLOWANCE: 0.0625"
5. WELDING IN ACCORDANCE WITH PROCEDURE WP970.2
6. ALL TACK WELDS AND NON-PRESSURE RETAINING WELDS PER WPS 101.
7. FABRICATION OF WELDS IN ACCORDANCE WITH WPS 101 AND WPS 103.
8. RADIOGRAPHY 5X
9. OTHER NON-DESTRUCTIVE EXAMINATION - VISUAL
10. POSTWELD HEAT TREATMENT: NOT REQUIRED
11. DIMENSIONS IN BOLD PRINT DENOTE REFERENCES
12. G M A W ROOT PASS ONLY / ALL POSITIONAL WELDS TO BE WPS 101.
13. ALL PIPING IS DESIGNATED WITH 1/8" ROOT GAP AND SHRINKAGE.
14. ALL FLANGE BOLT HOLES SHALL BE STRADDLE HORIZONTAL AND VERTICAL CENTERLINES UNLESS OTHERWISE SPECIFIED.

THIS DOCUMENT IS SUPPLIED IN CONFIDENCE. REPRODUCTION OR DISTRIBUTION IN WHOLE OR IN PART WITHOUT THE WRITTEN PERMISSION OF UNIVERSAL COMPRESSION IS STRICTLY PROHIBITED.

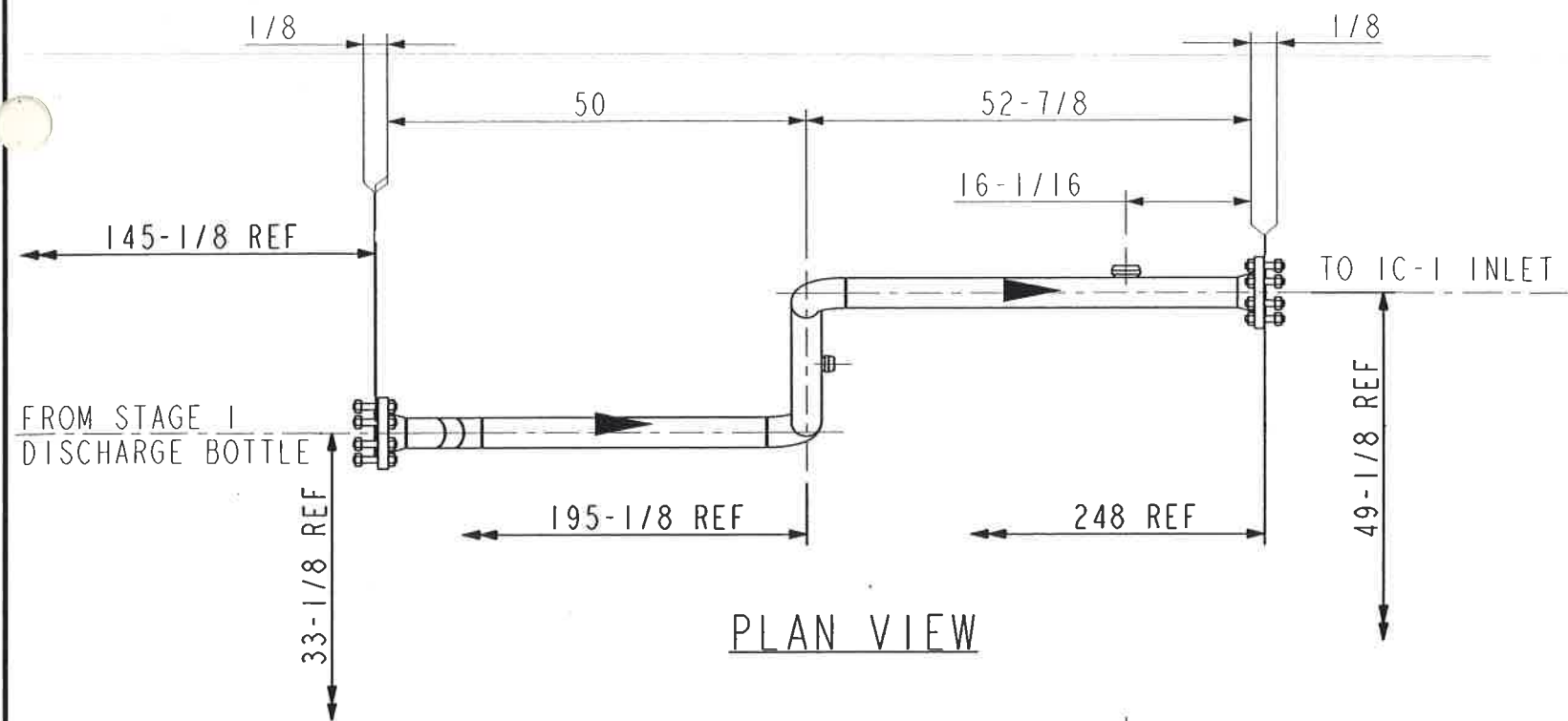
0	KMB	ISSUED FOR FABRICATION	17 MAY 01
REV.	BY	CHK'D	DATE
		ECR No. or REVISION DESCRIPTION	



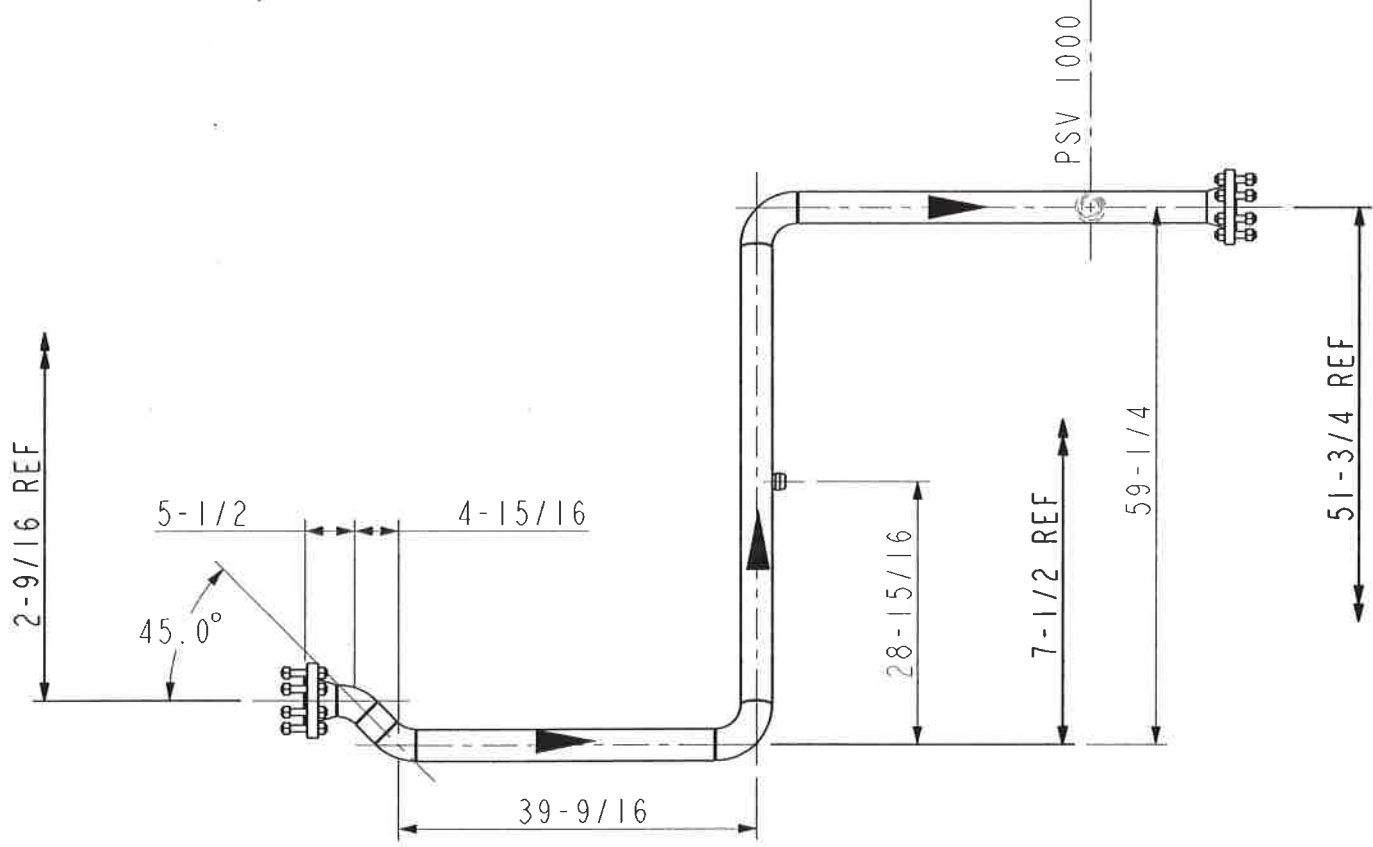
**UNIVERSAL COMPRESSION**

4949 - 76th Avenue S.E. 403/236-5252 Main  
 P.O. Box 5308, Station A 800/661-5252 Toll Free  
 Calgary, Alberta, Canada T2H 1X6 403/236-4261 Fax

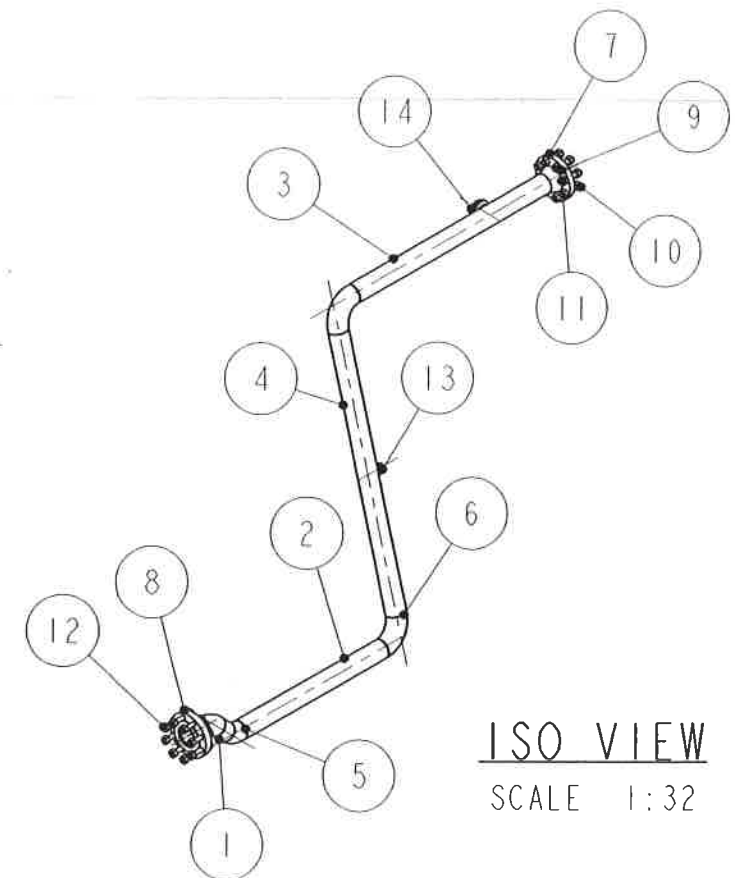
TITLE: <b>PROCESS SPOOL</b>			
STAGE I SCRUBBER TO STAGE I SUCTION BOTTLE			
END USER/CONSULTANT: <b>LEASE FLEET</b>		CUST. P.O. No. <b>TBA</b>	
LOCATION: <b>TBA</b>		REV. <b>0</b>	
DRAWN: <b>J.M.</b>		W.O. No. <b>018077</b>	
DATE: <b>08-Feb-01</b>		UNIT No. <b>WC-215-3STG</b>	
CHK'D: <b>K. BLICK</b>		No REQ'D: <b>ONE PER W.O.</b>	
PRJ LDR: <b>B. MINSHULL</b>		SCALE: <b>3-32</b>	
DWG. REFERENCE: <b>WC215-3STG-1502 Rev. 0</b>			DWG. No. <b>018077-1502</b>
(SHEET 1 OF 1)			



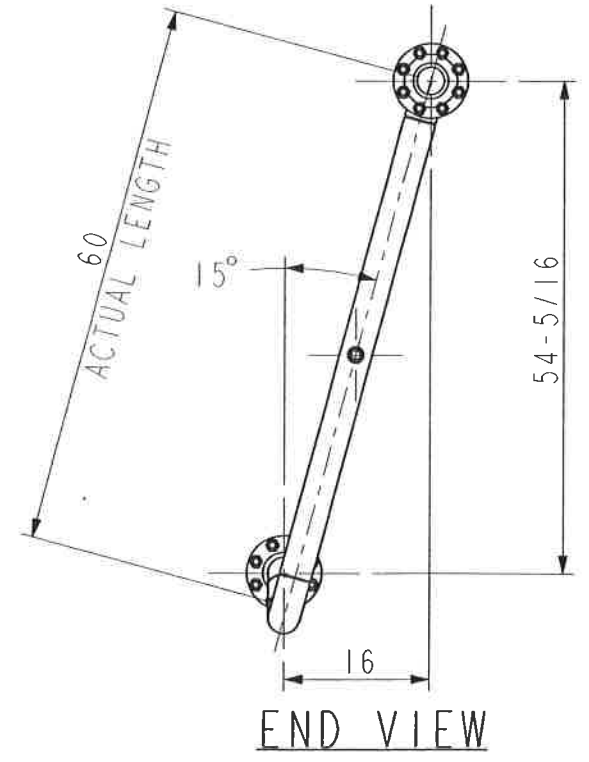
PLAN VIEW



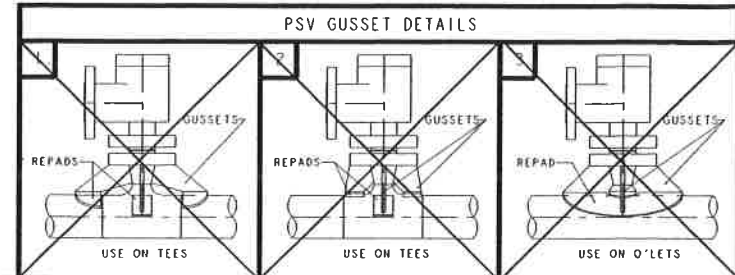
ELEVATION VIEW



ISO VIEW  
SCALE 1:32



END VIEW



BILL OF MATERIAL

NOTE: ITEM No. = FIRST TWO DIGITS (WORK CENTER), LAST TWO DIGITS (ITEM No.)

ITEM	PART No.	QTY	STOCK REQ	DESCRIPTION
1501	600-8253	1	2.991	PIPE, SA106-B, SMLS, 3, STD
1502	600-8253	1	32.959	PIPE, SA106-B, SMLS, 3, STD
1503	600-8253	1	45.125	PIPE, SA106-B, SMLS, 3, STD
1504	600-8253	1	52.113	PIPE, SA106-B, SMLS, 3, STD
1505	600-3385	2		ELBOW, 3, STD, LR, 45, SA234-WPB
1506	601-9755	2		ELBOW, 3, STD, LR, 90, SA234-WPB
1507	600-2867	1		FLANGE, RFWN, 3-300, STD, SA105N
1508	600-8342	1		FLANGE, RFWN, 3-600, STD, SA105N
1509	800-2682	2		GASKET, FLEX, 3-3, 4-60ORF, CHLOROCARB, 316SS
1510	801-8622	32		NUT, 0.75, SA194-2HM
1511	801-6387	8		STUD, 0.75x4.50, SA193-B7M
1512	801-6402	8		STUD, 0.75x5.00, SA193-B7M
1513	802-7101	1		TOL, 0.75-6000, SA105N
1514	601-1654	1		TOL, 1.50-3000, SA105N

SPOOL DESIGN/TEST DATA

SERVICE/LINE No.	D.P. @ D.T.	TEST PRESS.	TEST MEDIUM	VOLUME
1503	645 PSIG @ 350°F	1110 PSIG	HYDRO	cu. ft.

GENERAL NOTES

- THIS DRAWING IS NOT TO BE USED FOR CONSTRUCTION UNLESS STAMPED "RELEASED FOR FABRICATION".
- ALL DIMENSIONS ARE IN INCHES.
- DESIGN TO ASME B31.3-1999 EDITION, 2000 ADDENDA.
- CORROSION ALLOWANCE: 0.0625"
- WELDING IN ACCORDANCE WITH PROCEDURE WP970.2
- ALL TACK WELDS AND NON-PRESSURE RETAINING WELDS PER WPS 101.
- FABRICATION OF WELDS IN ACCORDANCE WITH WPS 101 AND WPS 103.
- RADIOGRAPHY 5%
- OTHER NON-DESTRUCTIVE EXAMINATION - VISUAL.
- POSTWELD HEAT TREATMENT: NOT REQUIRED.
- DIMENSIONS IN BOLD PRINT DENOTE REFERENCES.
- G.M.A.W. ROOT PASS ONLY / ALL POSITIONAL WELDS TO BE WPS 101.
- ALL PIPING IS DESIGNATED WITH 1/8" ROOT GAP AND SHRINKAGE.
- ALL FLANGE BOLT HOLES SHALL BE STRADDLE HORIZONTAL AND VERTICAL CENTERLINES UNLESS OTHERWISE SPECIFIED.

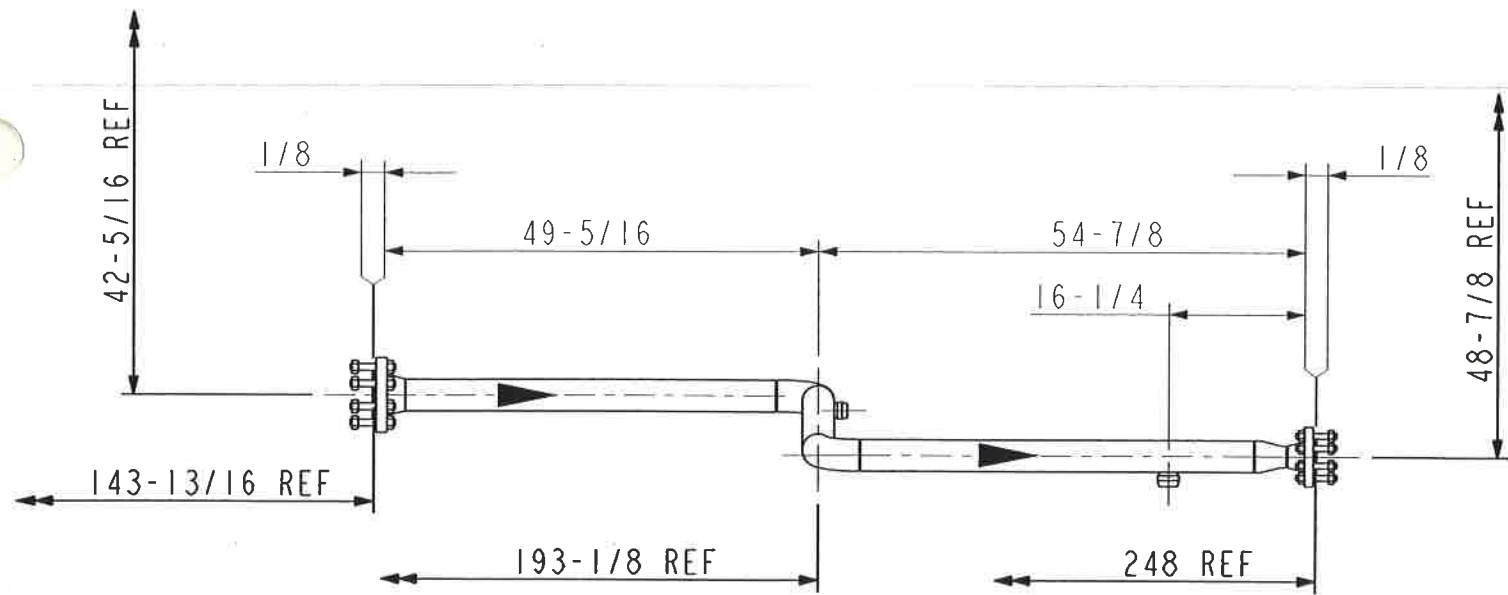
THIS DOCUMENT IS SUPPLIED IN CONFIDENCE. REPRODUCTION OR DISTRIBUTION IN WHOLE OR IN PART WITHOUT THE WRITTEN PERMISSION OF UNIVERSAL COMPRESSION IS STRICTLY PROHIBITED.

0	KMB	ISSUED FOR FABRICATION	17 MAY 01
REV	BY	CHK'D	DATE
		ECR No. or REVISION DESCRIPTION	

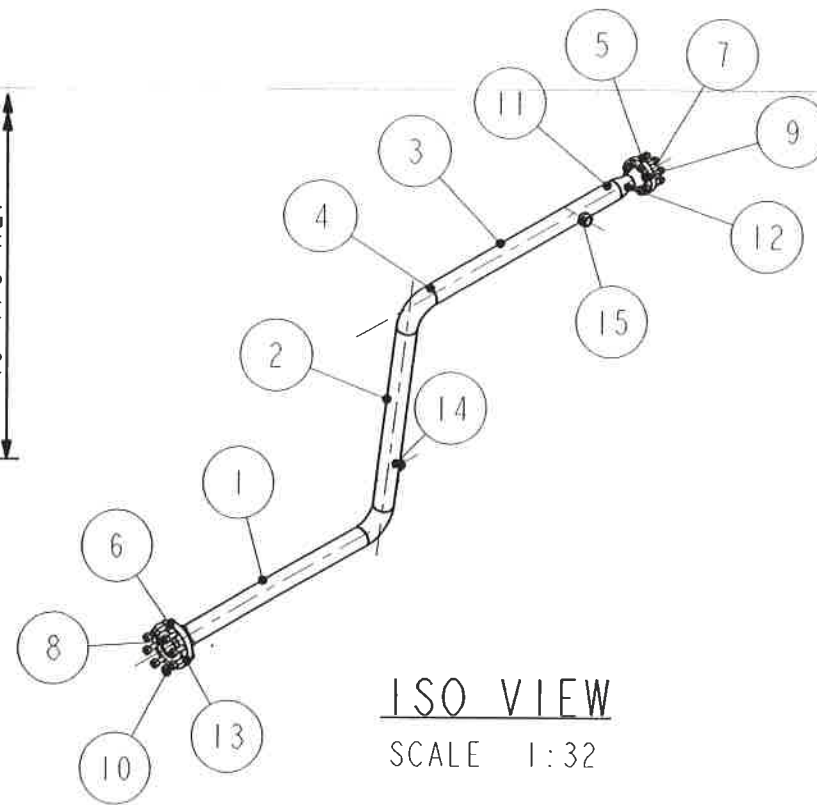
TITLE: PROCESS SPOOL

STAGE 1 DISCHARGE BOTTLE TO IC-1 INLET		CUST. P.O. No. TBA	
END USER/CONSULTANT: LEASE FLEET		REV. 0	
LOCATION: TBA LSD: TBA		DWG. REFERENCE: WC215-3STG-1503 Rev. 0	
DRAWN: J.M.	W.O. No. 018077	DWG. No. 018077-1503	
DATE: 08-Feb-01	UNIT No. WC-215-3STG	ONE PER W.O.	
CHK'D: B. MINSHULL	No. REQ'D: ONE PER W.O.	SCALE: 3:64	
PRJ LDR: B. MINSHULL	SCALE: 3:64	(SHEET 1 OF 1)	

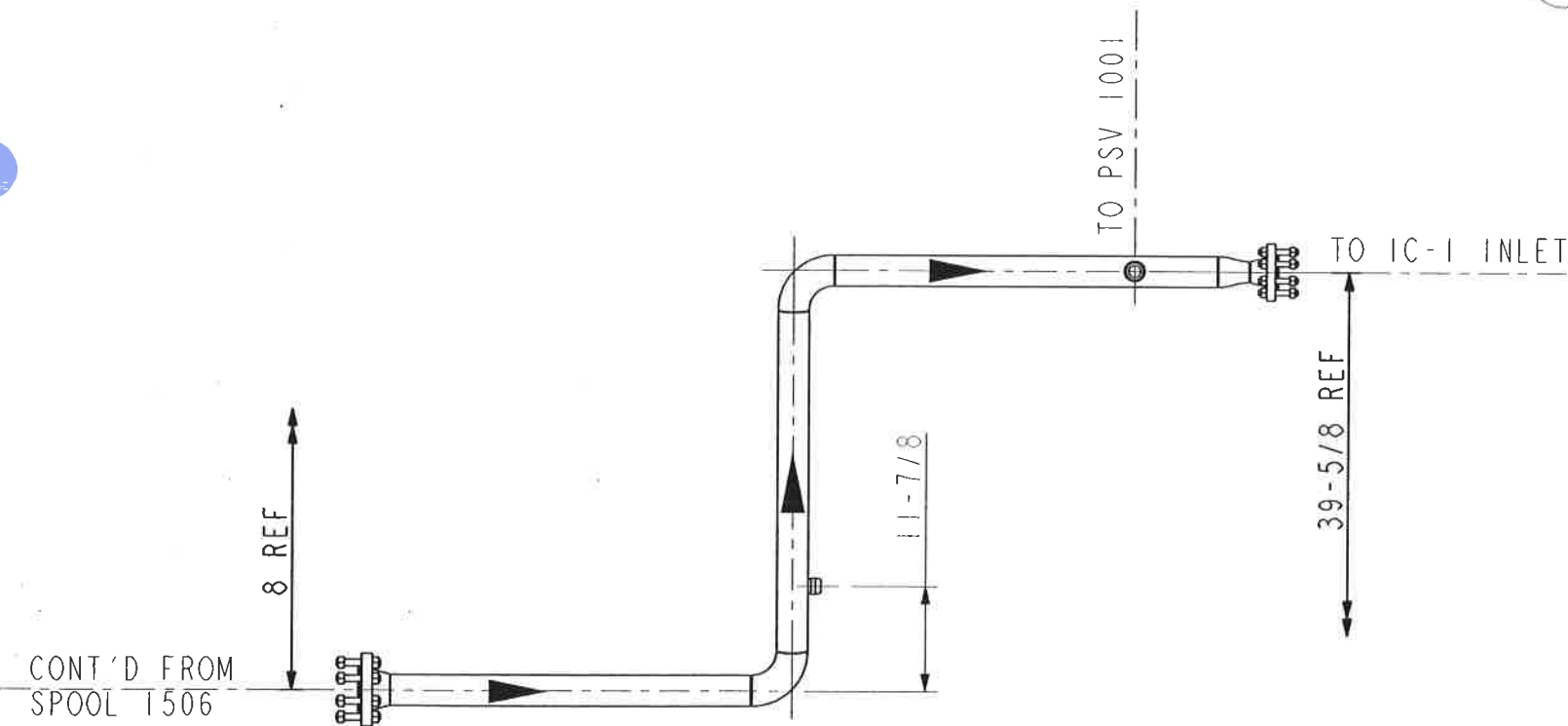




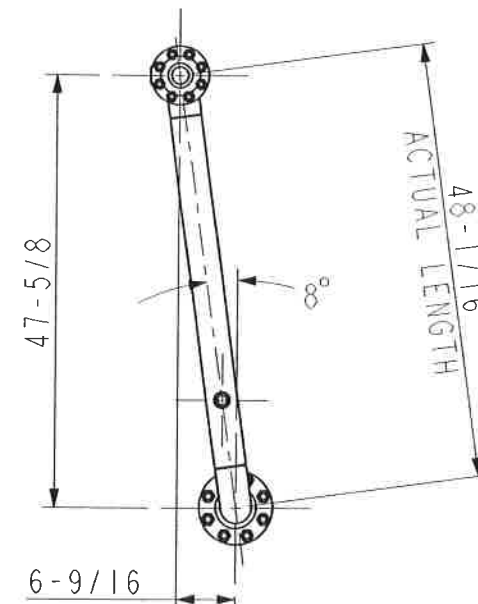
PLAN VIEW



ISO VIEW  
SCALE 1:32



ELEVATION VIEW



END VIEW

CONT'D FROM  
SPOOL 1506

BILL OF MATERIAL

NOTE: ITEM No. - FIRST TWO DIGITS (WORK CENTER), LAST TWO DIGITS (ITEM No.)

ITEM	PART No.	QTY	STOCK REQ	DESCRIPTION
1501	600-8253	1	38.813	PIPE, SA106-B, SMLS, 3, STD
1502	600-8253	1	41.063	PIPE, SA106-B, SMLS, 3, STD
1503	600-8253	1	43.375	PIPE, SA106-B, SMLS, 3, STD
1504	601-9755	2		ELBOW, 3, STD, LR, 90, SA234-WPB
1505	601-1605	1		FLANGE, RFWN, 2-600, XH, SA105N
1506	600-8342	1		FLANGE, RFWN, 3-600, STD, SA105N
1507	800-2666	1		GASKET, FLEX, 2-3, 4-600RF, CHLOROCARB, 316SS
1508	800-2682	1		GASKET, FLEX, 3-3, 4-600RF, CHLOROCARB, 316SS
1509	801-8614	16		NUT, 0.62, SA194-2HM
1510	801-8622	16		NUT, 0.75, SA194-2HM
1511	803-9357	1		RED. CONC, 3x2, STD/XH, SA234-WPB
1512	801-6305	8		STUD, 0.62x4.50, SA193-B7M
1513	801-6402	8		STUD, 0.75x5.00, SA193-B7M
1514	802-7101	1		TOL, 0.75-6000, SA105N
1515	802-7126	1		TOL, 1-6000, SA105N

SPOOL DESIGN/TEST DATA

SERVICE/LINE No.	D.P. @ D.T.	TEST PRESS.	TEST MEDIUM	VOLUME
1504	1290 PSIG @ 350°F	2220 PSIG	HYDRO	cu. ft.

GENERAL NOTES

- THIS DRAWING IS NOT TO BE USED FOR CONSTRUCTION UNLESS STAMPED "RELEASED FOR FABRICATION"
- ALL DIMENSIONS ARE IN INCHES.
- DESIGN TO ASME B31.3-1999 EDITION, 2000 ADDENDA.
- CORROSION ALLOWANCE: 0.0625"
- WELDING IN ACCORDANCE WITH PROCEDURE WP970.2
- ALL TACK WELDS AND NON-PRESSURE RETAINING WELDS PER WPS 101.
- FABRICATION OF WELDS IN ACCORDANCE WITH WPS 101 AND WPS 103.
- RADIOGRAPHY 5X
- OTHER NON-DESTRUCTIVE EXAMINATION - VISUAL
- POSTWELD HEAT TREATMENT: NOT REQUIRED.
- DIMENSIONS IN BOLD PRINT DENOTE REFERENCES.
- G.M.A.W. ROOT PASS ONLY / ALL POSITIONAL WELDS TO BE WPS 101.
- ALL PIPING IS DESIGNATED WITH 1/8" ROOT GAP AND SHRINKAGE.
- ALL FLANGE BOLT HOLES SHALL BE STRADDLE HORIZONTAL AND VERTICAL CENTERLINES UNLESS OTHERWISE SPECIFIED.

THIS DOCUMENT IS SUPPLIED IN CONFIDENCE. REPRODUCTION OR DISTRIBUTION IN WHOLE OR IN PART WITHOUT THE WRITTEN PERMISSION OF UNIVERSAL COMPRESSION IS STRICTLY PROHIBITED.

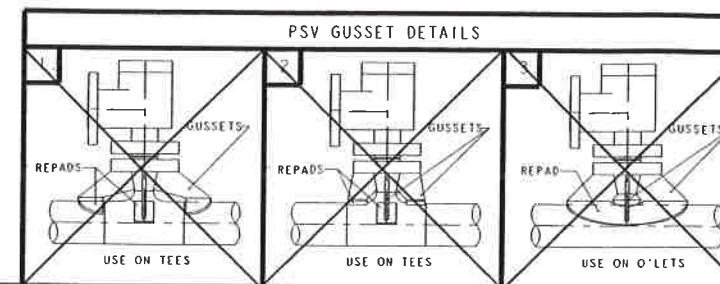
D. KMB	ISSUED FOR FABRICATION	17 MAY 01
REV. BY	CHK'D	ECR No. or REVISION DESCRIPTION
		DATE



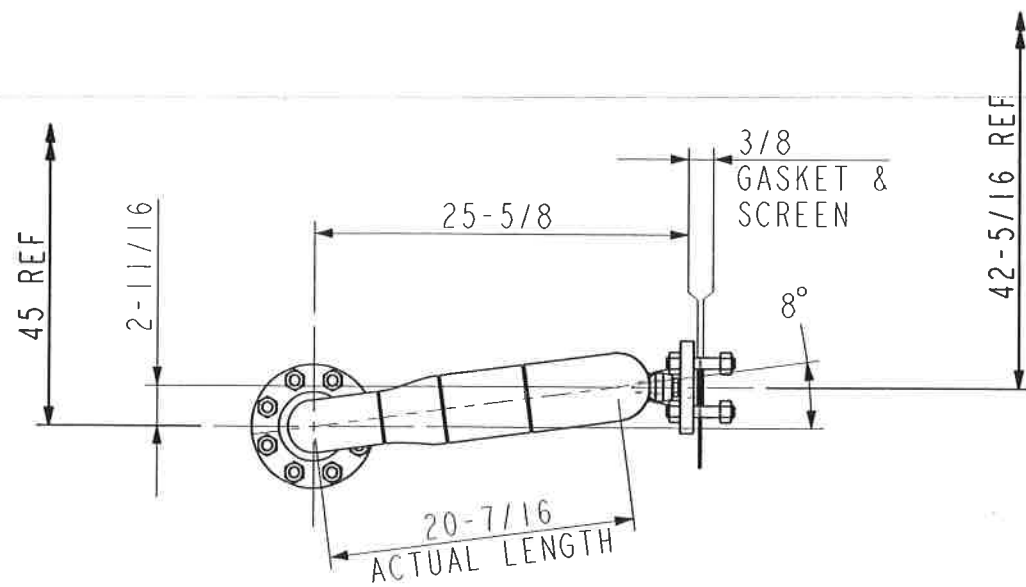
**UNIVERSAL COMPRESSION**  
4949 - 76th Avenue S.E. 403/236-5252 Main  
P.O. Box 5308, Station A 800/661-5252 Toll Free  
Calgary, Alberta, Canada T2H 1X6 403/236-4261 Fax

TITLE: **PROCESS SPOOL**  
FROM SPOOL 1506 TO IC-2 INLET

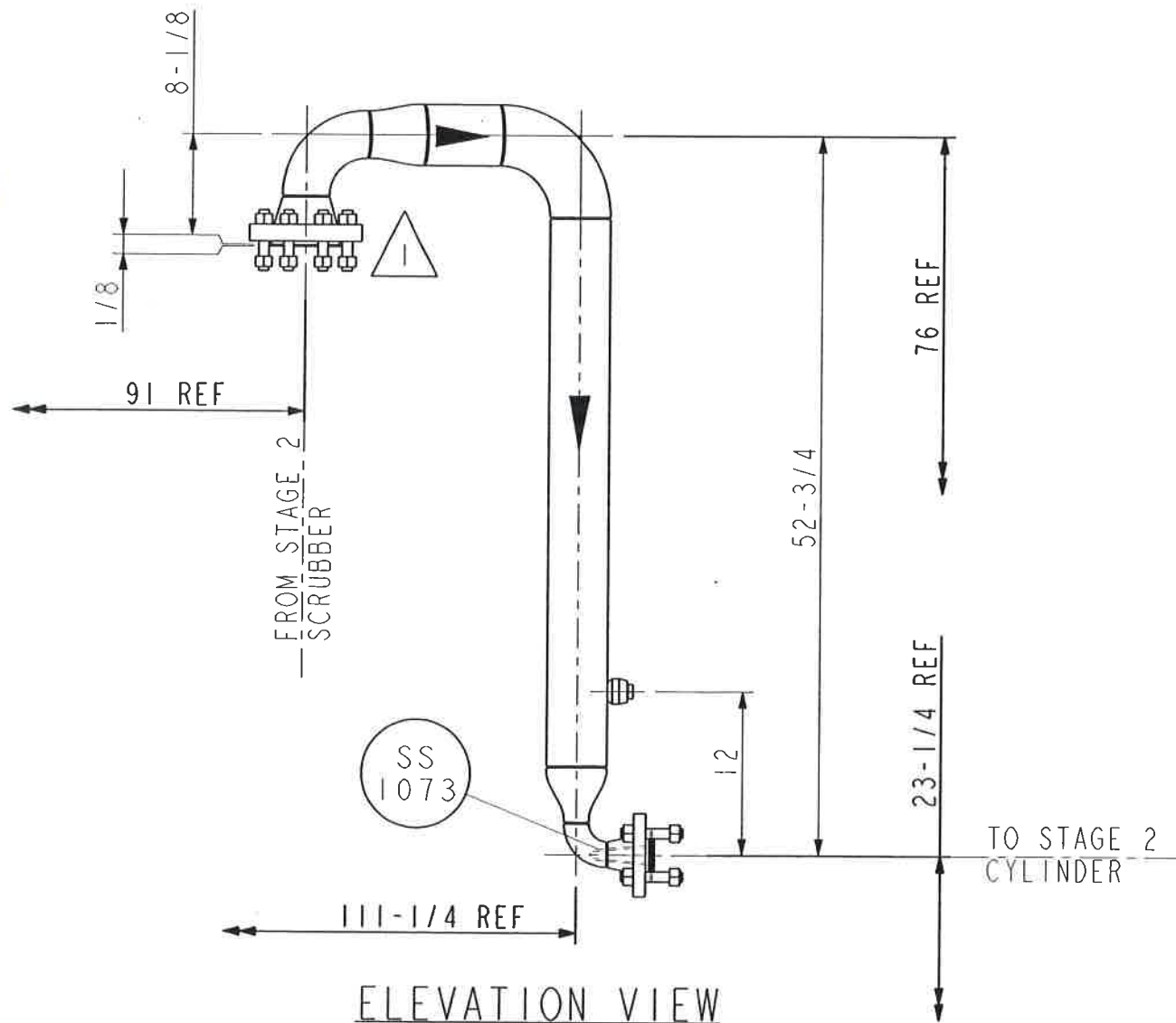
END USER/CONSULTANT:	LEASE FLEET	CUST. P.O. No.	TBA
LOCATION:	TBA LSD: TBA	REV.	0
DRAWN:	J.M.	W.O. No.	018077
DATE:	08-Feb-01	UNIT No.	WC-215-3STG
CHK'D:	K. BULL	No. REQ'D:	ONE PER W.O.
PRJ. LDR.	B. MINSHULL	SCALE:	3:64
		DWG. No.	018077-1504
			(SHEET 1 OF 1)



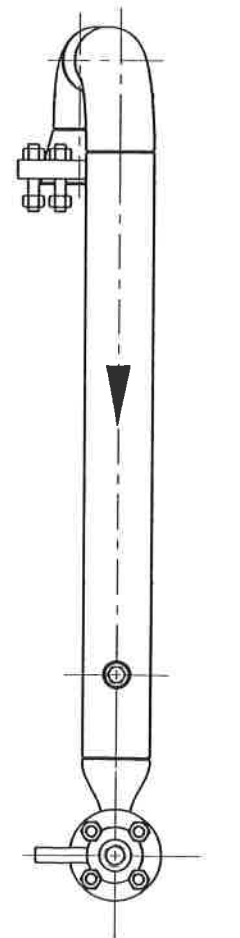




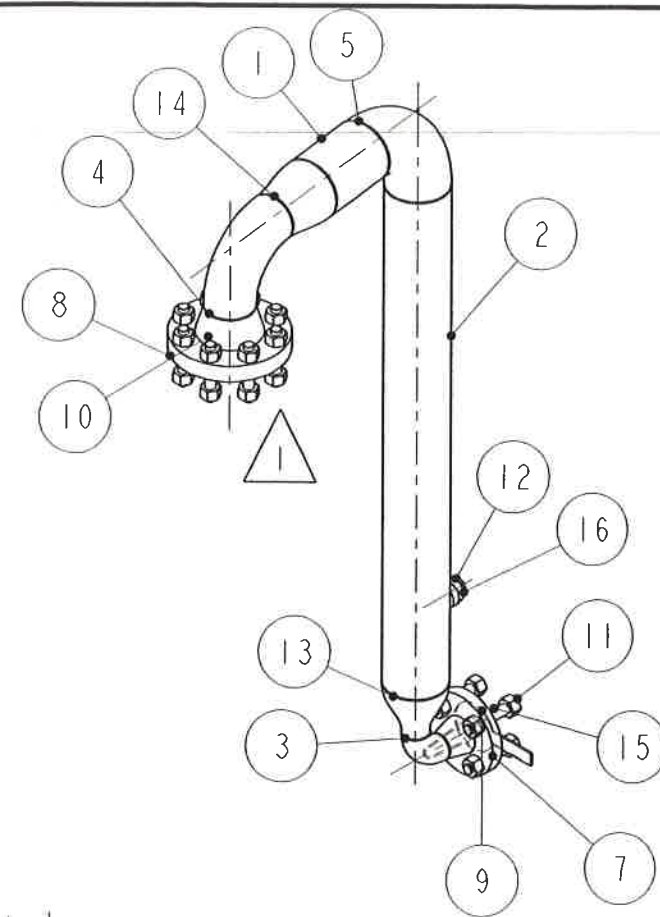
PLAN VIEW



ELEVATION VIEW



END VIEW



ISO VIEW  
SCALE 5:64

BILL OF MATERIAL

NOTE: ITEM No. = FIRST TWO DIGITS (WORK CENTER), LAST TWO DIGITS (ITEM No.)

ITEM	PART No.	QTY	STOCK REQ	DESCRIPTION
1501	600-8245	1	5.554	PIPE, SA106-B, SMLS, 4, STD
1502	600-8245	1	40.125	PIPE, SA106-B, SMLS, 4, STD
1503	802-0987	1		ELBOW, 1.50, XH, LR, 90, SA234-WPB
1504	601-9755	1		ELBOW, 3, STD, LR, 90, SA234-WPB
1505	600-8391	1		ELBOW, 4, STD, LR, 90, SA234-WPB
1506	602-7108	1		FLANGE, RFWN, 1.50-600, SA105N
1507	N/A	1		FLANGE, RFWN, 1.50-600, XH, SA105N
1508	600-8342	1		FLANGE, RFWN, 3-600, STD, SA105N
1509	800-2658	3		GASKET, FLEX, 1.50-3, 4-600RF, CHLOROCARB, 316SS
1510	800-2682	1		GASKET, FLEX, 3-3, 4-600RF, CHLOROCARB, 316SS
1511	801-8622	32		NUT, 0.75, SA194-2HM
1512	600-3911	1		PLUG, HEX, 0.75-6000, SA105N
1513	807-5811	1		RED, CONC, 4x1.50, STD/XH, SA234-WPB
1514	601-1987	1		RED, CONC, 4x3, STD, SA234-WPB
1515	801-6387	16		STUD, 0.75x4.50, SA193-BTM
1516	802-7101	1		TOL, 0.75-6000, SA105N

SPOOL DESIGN/TEST DATA

SERVICE/LINE No.	D.P. @ D.T.	TEST PRESS.	TEST MEDIUM	VOLUME
1505	645 PSIG @ 350°F	1110 PSIG	HYDRO	cu. ft.

GENERAL NOTES

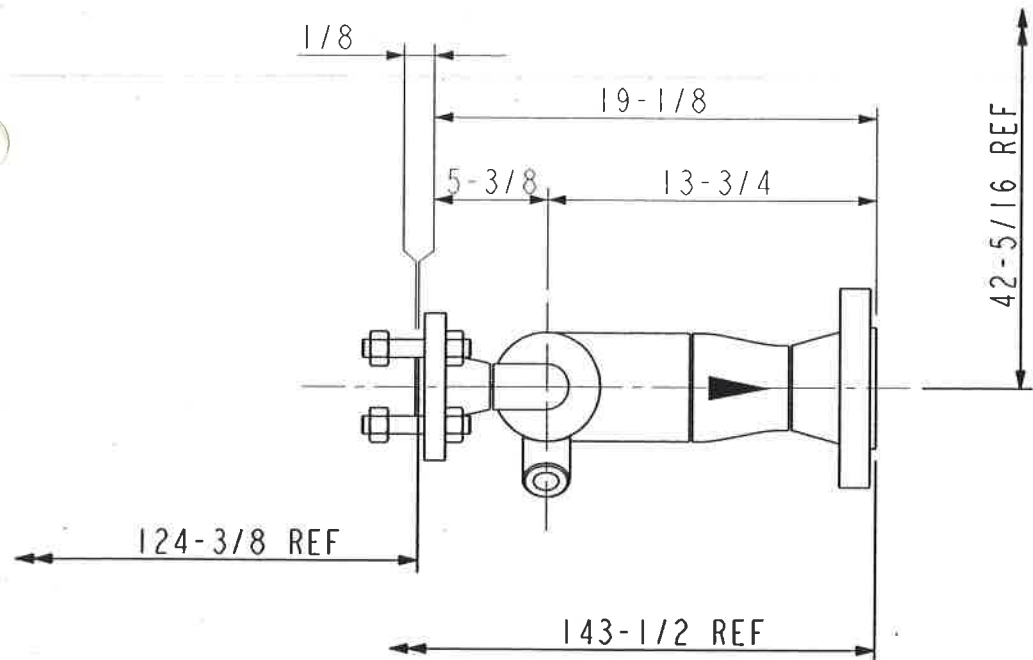
- THIS DRAWING IS NOT TO BE USED FOR CONSTRUCTION UNLESS STAMPED "RELEASED FOR FABRICATION"
- ALL DIMENSIONS ARE IN INCHES
- DESIGN TO ASME B31.3-1999 EDITION, 2000 ADDENDA.
- CORROSION ALLOWANCE: 0.0625"
- WELDING IN ACCORDANCE WITH PROCEDURE WP970.2
- ALL TACK WELDS AND NON-PRESSURE RETAINING WELDS PER WPS 101.
- FABRICATION OF WELDS IN ACCORDANCE WITH WPS 101 AND WPS 103.
- RADIOGRAPHY 5X.
- OTHER NON-DESTRUCTIVE EXAMINATION - VISUAL.
- POSTWELD HEAT TREATMENT: NOT REQUIRED.
- DIMENSIONS IN BOLD PRINT DENOTE REFERENCES.
- G.M.A.W. ROOT PASS ONLY / ALL POSITIONAL WELDS TO BE WPS 101.
- ALL PIPING IS DESIGNATED WITH 1/8" ROOT GAP AND SHRINKAGE.
- ALL FLANGE BOLT HOLES SHALL BE STRADDLE HORIZONTAL AND VERTICAL CENTERLINES UNLESS OTHERWISE SPECIFIED.

THIS DOCUMENT IS SUPPLIED IN CONFIDENCE. REPRODUCTION OR DISTRIBUTION IN WHOLE OR IN PART WITHOUT THE WRITTEN PERMISSION OF UNIVERSAL COMPRESSION IS STRICTLY PROHIBITED.

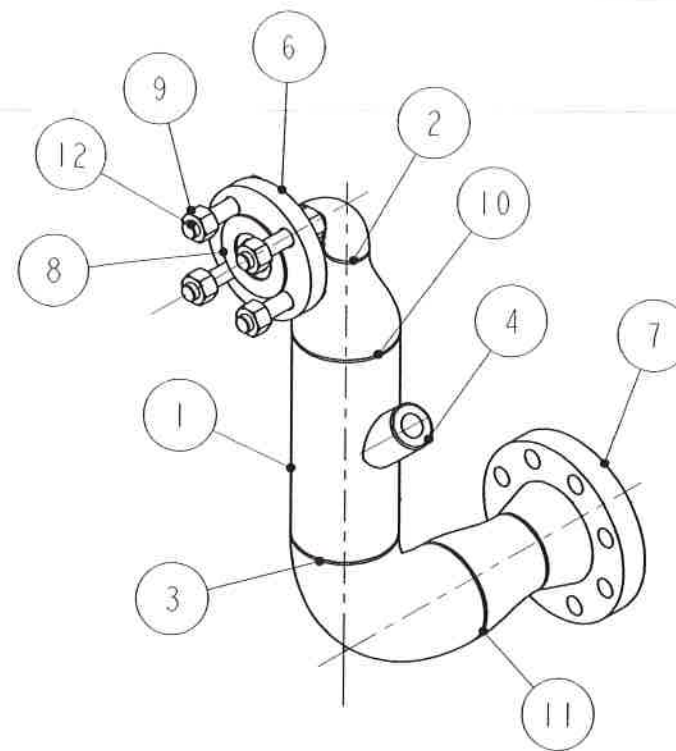
REV.	BY	CHK'D	ECR No. or REVISION DESCRIPTION	DATE
1	KMB	BM	CHANGED FLANGE FROM 300# TO 600#	03 AUG 01
0	KMB	BM	ISSUED FOR FABRICATION	17 MAY 01

**UNIVERSAL COMPRESSION**  
 4949 - 76th Avenue S.E. 403/236-5252 Main  
 P.O. Box 5308, Station A 800/661-5252 Toll Free  
 Calgary, Alberta, Canada T2H 1X6 403/236-4261 Fax

TITLE:	
PROCESS SPOOL	
FROM STAGE 2 SCRUBBER TO STAGE 2 CYLINDER	
END USER/CONSULTANT:	CUST. P.O. No.
LEASE FLEET	TBA
LOCATION:	REV.
TBA LSD: TBA	I
DRAWN:	DWG. REFERENCE:
J.M.	WC215-3STG-1505 Rev. 0
DATE:	DWG. No.
08-Feb-01	018077-1505
CHK'D:	PRJ. LDR.
	B. MINSHULL
W.O. No.	SCALE:
018077	5:64
UNIT No.	
WC-215-3STG	
No. REQ'D	
ONE PER W.O.	
	(SHEET 1 OF 1)

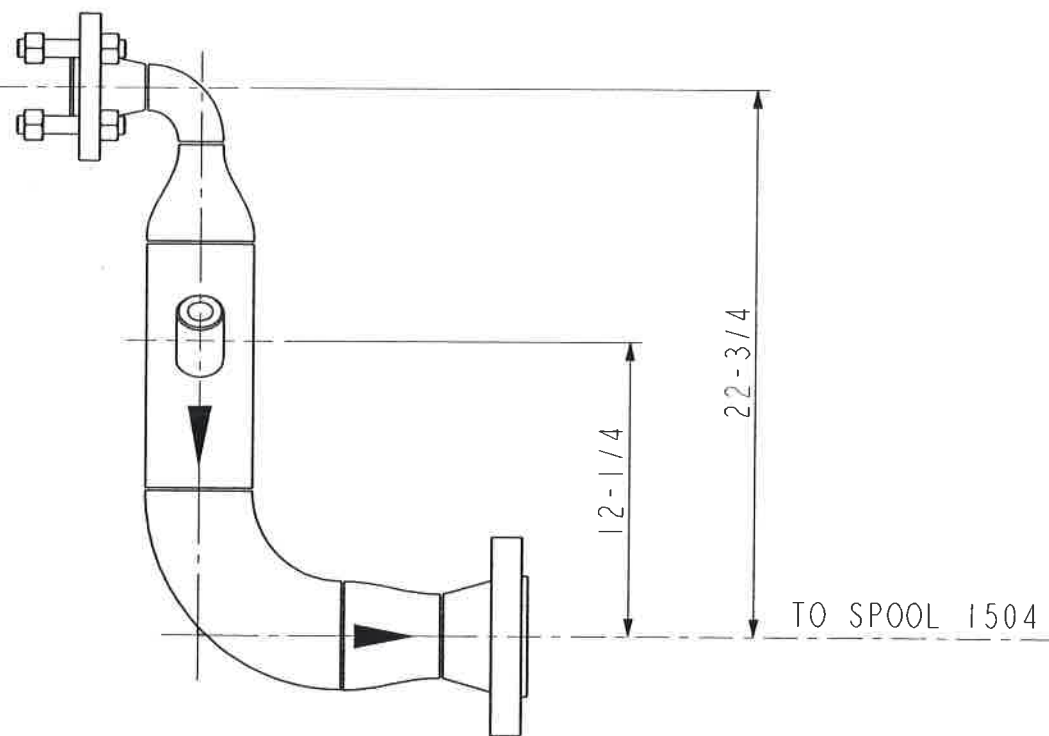


PLAN VIEW

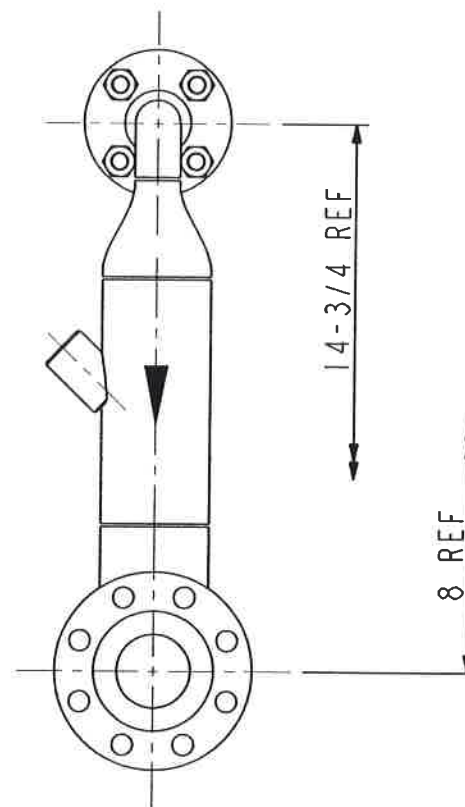


ISO VIEW  
SCALE 1:8

FROM STAGE 2  
CYLINDER



ELEVATION VIEW



END VIEW

BILL OF MATERIAL

NOTE: ITEM No. = FIRST TWO DIGITS (WORK CENTER), LAST TWO DIGITS (ITEM No.)

ITEM	PART No.	QTY	STOCK REQ	DESCRIPTION
1501	600-8245	1	10.115	PIPE, SA106-B, SMLS, 4, STD
1502	802-0987	1		ELBOW, 1.50, XH, LR, 90, SA234-WPB
1503	600-8391	1		ELBOW, 4, STD, LR, 90, SA234-WPB
1504	802-6957	1		EOL, 0.75-6000, SCR, SA105N
1505	602-7108	1		FLANGE, RFBL, 1.50-600, SA105N
1506	605-7368	1		FLANGE, RFWN, 1.50-600, XH, SA105N
1507	600-8342	1		FLANGE, RFWN, 3-600, STD, SA105N
1508	800-2658	2		GASKET, FLEX, 1.50-3, 4-600RF, CHLOROCARB, 316SS
1509	801-8622	16		NUT, 0.75, SA194-2HM
1510	807-5811	1		RED, CONC, 4x1.50, STD/XH, SA234-WPB
1511	601-1987	1		RED, CONC, 4x3, STD, SA234-WPB
1512	801-6387	8		STUD, 0.75x4.50, SA193-BTM

SPOOL DESIGN/TEST DATA

SERVICE/LINE No.	D.P. @ D.T.	TEST PRESS.	TEST MEDIUM	VOLUME
1506	1290 PSIG @ 350°F	2220 PSIG	HYDRO	cu. ft.

GENERAL NOTES

- THIS DRAWING IS NOT TO BE USED FOR CONSTRUCTION UNLESS STAMPED "RELEASED FOR FABRICATION".
- ALL DIMENSIONS ARE IN INCHES.
- DESIGN TO ASME B31.3-1999 EDITION, 2000 ADDENDA.
- CORROSION ALLOWANCE: 0.0625"
- WELDING IN ACCORDANCE WITH PROCEDURE WP970.2
- ALL TACK WELDS AND NON-PRESSURE RETAINING WELDS PER WPS 101.
- FABRICATION OF WELDS IN ACCORDANCE WITH WPS 101 AND WPS 103.
- RADIOGRAPHY ST
- OTHER NON-DESTRUCTIVE EXAMINATION - VISUAL.
- POSTWELD HEAT TREATMENT: NOT REQUIRED.
- DIMENSIONS IN BOLD PRINT DEMOTE REFERENCES.
- G.M.A.W. ROOT PASS ONLY / ALL POSITIONAL WELDS TO BE WPS 101.
- ALL PIPING IS DESIGNATED WITH 1/8" ROOT GAP AND SHRINKAGE.
- ALL FLANGE BOLT HOLES SHALL BE STRADDLE HORIZONTAL AND VERTICAL CENTERLINES UNLESS OTHERWISE SPECIFIED.

THIS DOCUMENT IS SUPPLIED IN CONFIDENCE. REPRODUCTION OR DISTRIBUTION IN WHOLE OR IN PART WITHOUT THE WRITTEN PERMISSION OF UNIVERSAL COMPRESSION IS STRICTLY PROHIBITED.

0	KMB	ISSUED FOR FABRICATION	17 MAY 01
REV.	BY	CHK'D	DATE

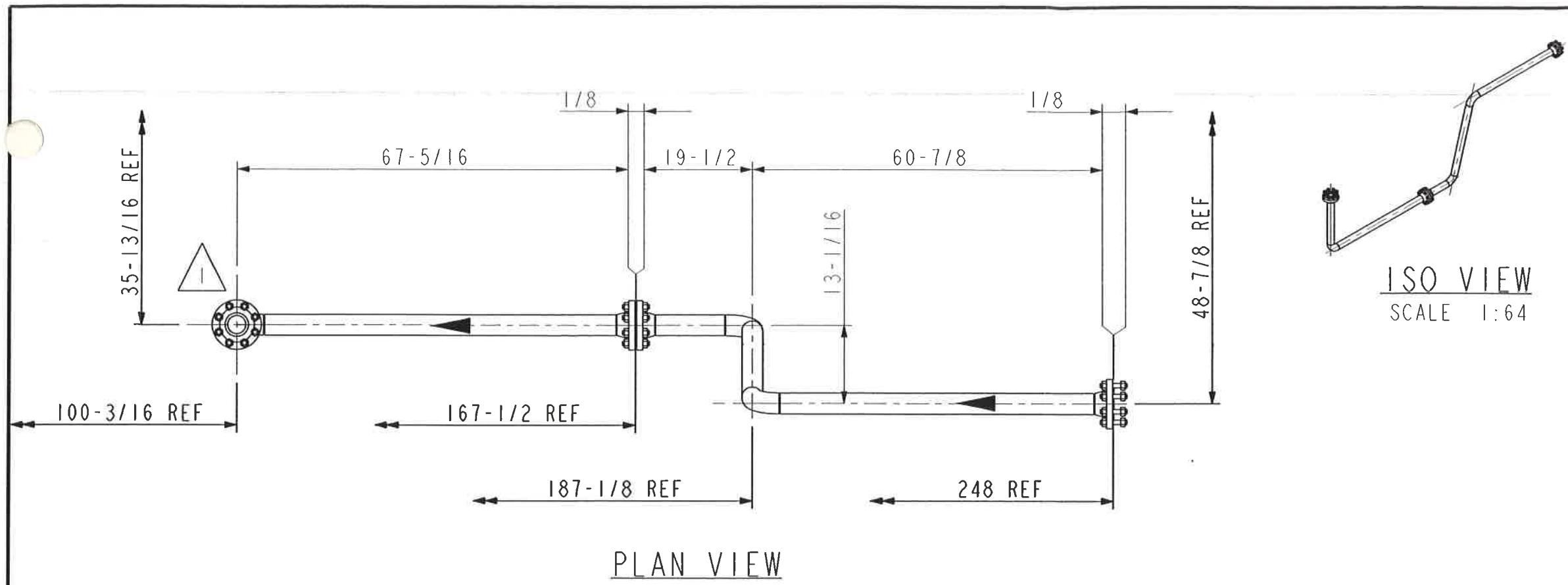


**UNIVERSAL COMPRESSION**

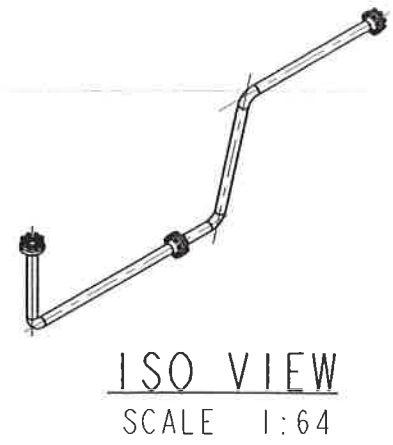
4949 - 75th Avenue S.E. 403/236-5252 Main  
P.O. Box 5308, Station A 800/661-5252 Toll Free  
Calgary, Alberta, Canada T2H 1X6 403/236-4261 Fax

TITLE: <b>PROCESS SPOOL</b> FROM STAGE 2 CYLINDER TO SPOOL 1504	
END USER/CONSULTANT: LEASE FLEET	CUST. P.O. No. TBA
LOCATION: TBA LSD: TBA	REV. 0 DWG. REFERENCE: WC215-3STG-1506 Rev 0
DRAWN: J.M.	W.O. No. 018077
DATE: 08-Feb-01	UNIT No. WC-215-3STG
CHK'D: <i>[Signature]</i>	No REQ'D ONE PER W.O.
PRJ LDR: B. MINSHULL	SCALE: 1:8
DWG. No. <b>018077-1506</b> (SHEET 1 OF 1)	

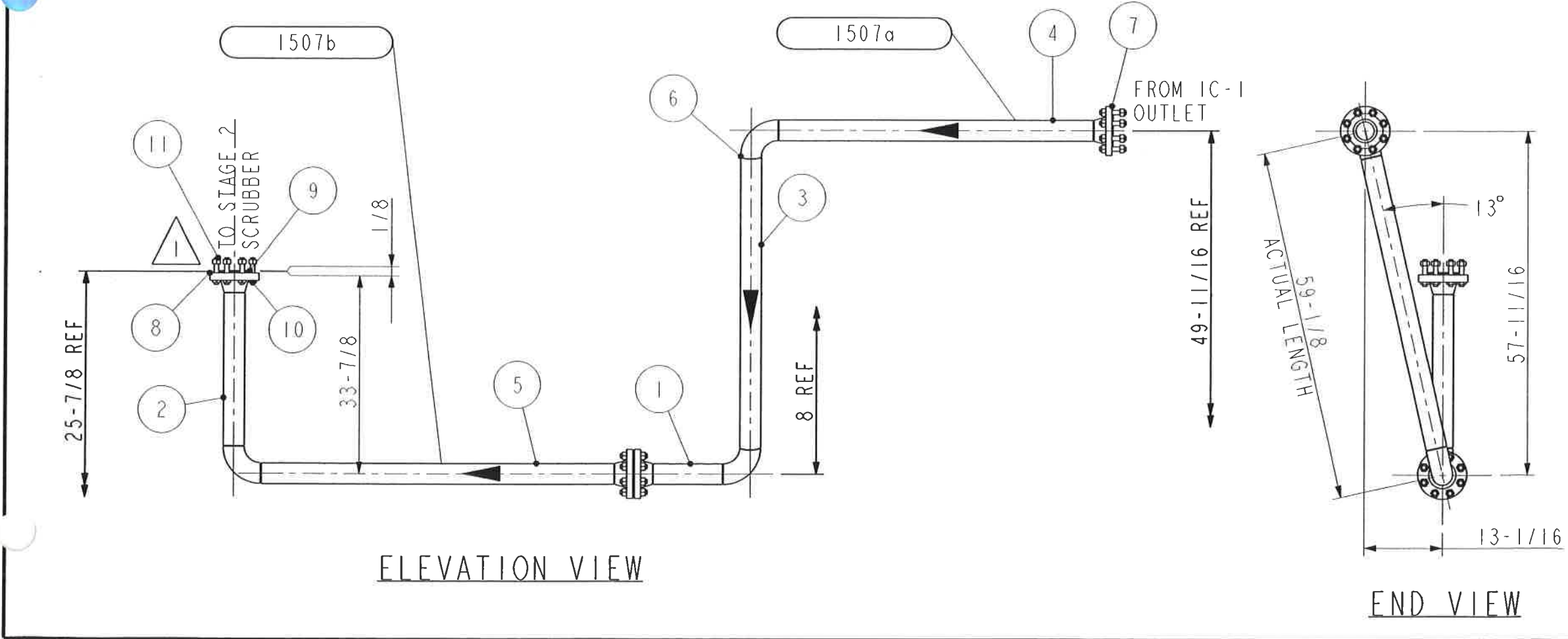




PLAN VIEW



ISO VIEW  
SCALE 1:64



ELEVATION VIEW

END VIEW

BILL OF MATERIAL

NOTE: ITEM No. - FIRST TWO DIGITS (WORK CENTER), LAST TWO DIGITS (ITEM No.)

ITEM	PART No.	QTY	STOCK REQ	DESCRIPTION
1501	600-8253	1	11.625	PIPE, SA106-B, SMLS, 3, STD
1502	600-8253	1	25.625	PIPE, SA106-B, SMLS, 3, STD
1503	600-8253	1	49.892	PIPE, SA106-B, SMLS, 3, STD
1504	600-8253	1	53.000	PIPE, SA106-B, SMLS, 3, STD
1505	600-8253	1	59.433	PIPE, SA106-B, SMLS, 3, STD
1506	601-9755	3		ELBOW, 3, STD, LR, 90, SA234-WPB
1507	600-2867	3		FLANGE, RFWN, 3-300, STD, SA105N
1508	600-8342	1		FLANGE, RFWN, 3-600, STD, SA105N
1509	800-2682	3		GASKET, FLEX, 3-3, 4-600RF, CHLOROCARB, 316SS
1510	801-8622	48		NUT, 0.75, SA194-2HM
1511	801-6387	24		STUD, 0.75x4.50, SA193-B7M

SPOOL DESIGN/TEST DATA

SERVICE/LINE No.	D.P. @ D.T.	TEST PRESS.	TEST MEDIUM	VOLUME
1507a/b	645 PSIG @ 350°F	1110 PSIG	HYDRO	cu. ft.

GENERAL NOTES

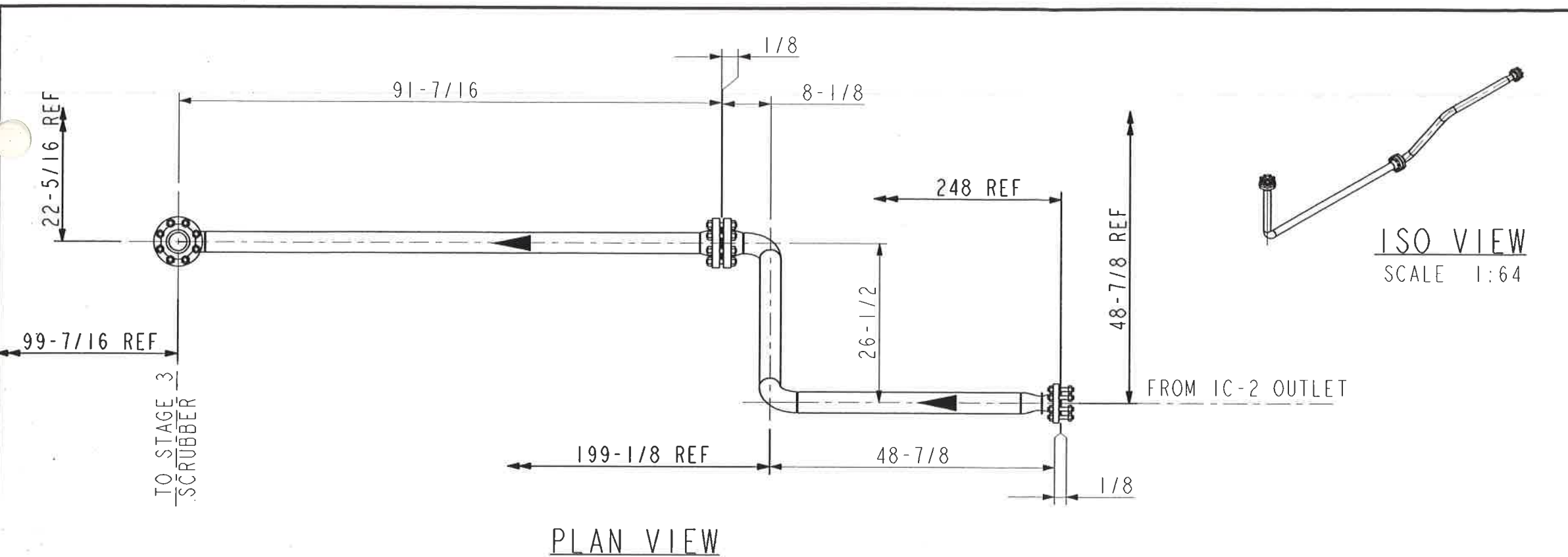
- THIS DRAWING IS NOT TO BE USED FOR CONSTRUCTION UNLESS STAMPED "RELEASED FOR FABRICATION".
- ALL DIMENSIONS ARE IN INCHES.
- DESIGN TO ASME B31.3-1999 EDITION, 2000 ADDENDA.
- CORROSION ALLOWANCE: 0.0625"
- WELDING IN ACCORDANCE WITH PROCEDURE WP970.2.
- ALL TACK WELDS AND NON-PRESSURE RETAINING WELDS PER WPS 101.
- FABRICATION OF WELDS IN ACCORDANCE WITH WPS 101 AND WPS 103.
- RADIOGRAPHY 5X.
- OTHER NON-DESTRUCTIVE EXAMINATION - VISUAL.
- POSTWELD HEAT TREATMENT: NOT REQUIRED.
- DIMENSIONS IN BOLD PRINT DENOTE REFERENCES.
- G.M.A.W. ROOT PASS ONLY / ALL POSITIONAL WELDS TO BE WPS 101.
- ALL PIPING IS DESIGNATED WITH 1/8" ROOT GAP AND SHRINKAGE.
- ALL FLANGE BOLT HOLES SHALL BE STRADDLE HORIZONTAL AND VERTICAL CENTERLINES UNLESS OTHERWISE SPECIFIED.

THIS DOCUMENT IS SUPPLIED IN CONFIDENCE. REPRODUCTION OR DISTRIBUTION IN WHOLE OR IN PART WITHOUT THE WRITTEN PERMISSION OF UNIVERSAL COMPRESSION IS STRICTLY PROHIBITED.

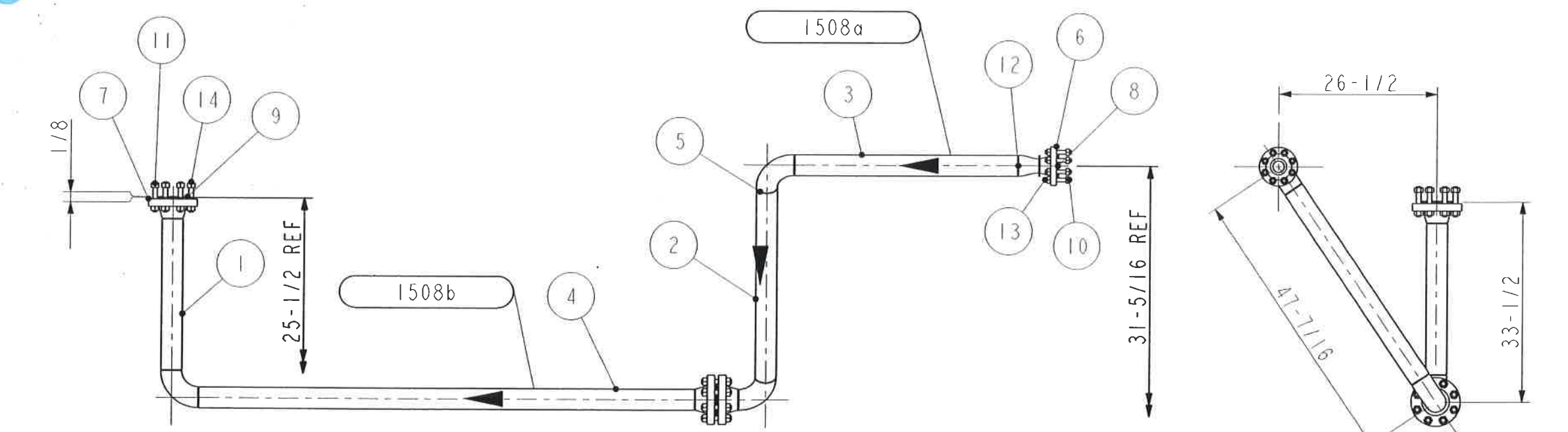
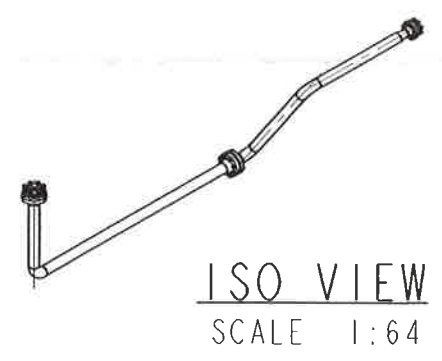
REV.	BY	CHK'D	ECR No. or REVISION DESCRIPTION	DATE
1	KMB	BM	CHANGED FLANGE FROM 300# TO 600#	03 AUG 01
0	KMB	BM	ISSUED FOR FABRICATION	17 MAY 01

TITLE: <b>PROCESS SPOOL</b> FROM IC-1 OUTLET TO STAGE 2 SCRUBBER	
END USER/CONSULTANT: LEASE FLEET	CUST. P.O. No. TBA
LOCATION: TBA LSD: TBA	REV. I DWG. REFERENCE: WC215-3STG-1507 Rev.0
DRAWN: J.M.	W.O. No. 018077
DATE: 08-Feb-01	UNIT No. WC-215-3STG
CHK'D:	No. REQ'D ONE PER W.O.
PRJ LDR. B. MINSHULL	SCALE: 3:64
DWG. No. <b>018077-1507</b> (SHEET 1 OF 1)	





PLAN VIEW



ELEVATION VIEW

END VIEW

BILL OF MATERIAL

NOTE: ITEM No. = FIRST TWO DIGITS (WORK CENTER), LAST TWO DIGITS (ITEM No.)

ITEM	PART No.	QTY	STOCK REQ	DESCRIPTION
1501	600-8253	1	25.240	PIPE, SA106-B, SMLS, 3, STD
1502	600-8253	1	37.375	PIPE, SA106-B, SMLS, 3, STD
1503	600-8253	1	38.162	PIPE, SA106-B, SMLS, 3, STD
1504	600-8253	1	83.200	PIPE, SA106-B, SMLS, 3, STD
1505	601-9755	3		ELBOW, 3, STD, LR, 90, SA234-WPB
1506	601-1605	1		FLANGE, RFWN, 2-600, XH, SA105N
1507	600-8342	3		FLANGE, RFWN, 3-600, STD, SA105N
1508	800-2666	1		GASKET, FLEX, 2-3, 4-600RF, CHLOROCARB, 316SS
1509	800-2682	2		GASKET, FLEX, 3-3, 4-600RF, CHLOROCARB, 316SS
1510	801-8614	16		NUT, 0.62, SA194-2HM
1511	801-8622	32		NUT, 0.75, SA194-2HM
1512	803-9357	1		RED, CONC, 3x2, STD/XH, SA234-WPB
1513	801-6305	8		STUD, 0.62x4.50, SA193-B7M
1514	801-6402	16		STUD, 0.75x5.00, SA193-B7M

SPOOL DESIGN/TEST DATA

SERVICE/LINE No.	D.P. @ D.T.	TEST PRESS.	TEST MEDIUM	VOLUME
1508a/b	1290 PSIG @ 350°F	2220 PSIG	HYDRO	cu. ft.

GENERAL NOTES

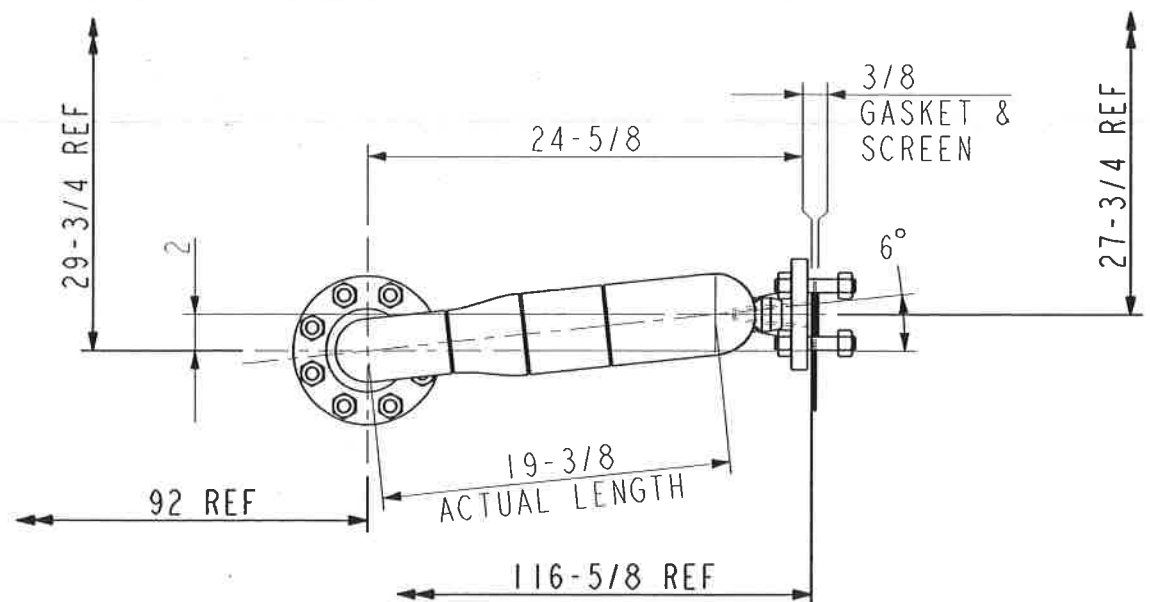
- THIS DRAWING IS NOT TO BE USED FOR CONSTRUCTION UNLESS STAMPED "RELEASED FOR FABRICATION"
- ALL DIMENSIONS ARE IN INCHES
- DESIGN TO ASME B31.3-1999 EDITION, 2000 ADDENDA
- CORROSION ALLOWANCE: 0.0625"
- WELDING IN ACCORDANCE WITH PROCEDURE WP970.2
- ALL TACK WELDS AND NON-PRESSURE RETAINING WELDS PER WPS 101
- FABRICATION OF WELDS IN ACCORDANCE WITH WPS 101 AND WPS 103
- RADIOGRAPHY 5X
- OTHER NON-DESTRUCTIVE EXAMINATION - VISUAL
- POSTWELD HEAT TREATMENT: NOT REQUIRED
- DIMENSIONS IN BOLD PRINT DENOTE REFERENCES
- G.M.A.W. ROOT PASS ONLY / ALL POSITIONAL WELDS TO BE WPS 101
- ALL PIPING IS DESIGNATED WITH 1/8" ROOT GAP AND SHRINKAGE
- ALL FLANGE BOLT HOLES SHALL BE STRADDLE HORIZONTAL AND VERTICAL CENTERLINES UNLESS OTHERWISE SPECIFIED

THIS DOCUMENT IS SUPPLIED IN CONFIDENCE. REPRODUCTION OR DISTRIBUTION IN WHOLE OR IN PART WITHOUT THE WRITTEN PERMISSION OF UNIVERSAL COMPRESSION IS STRICTLY PROHIBITED

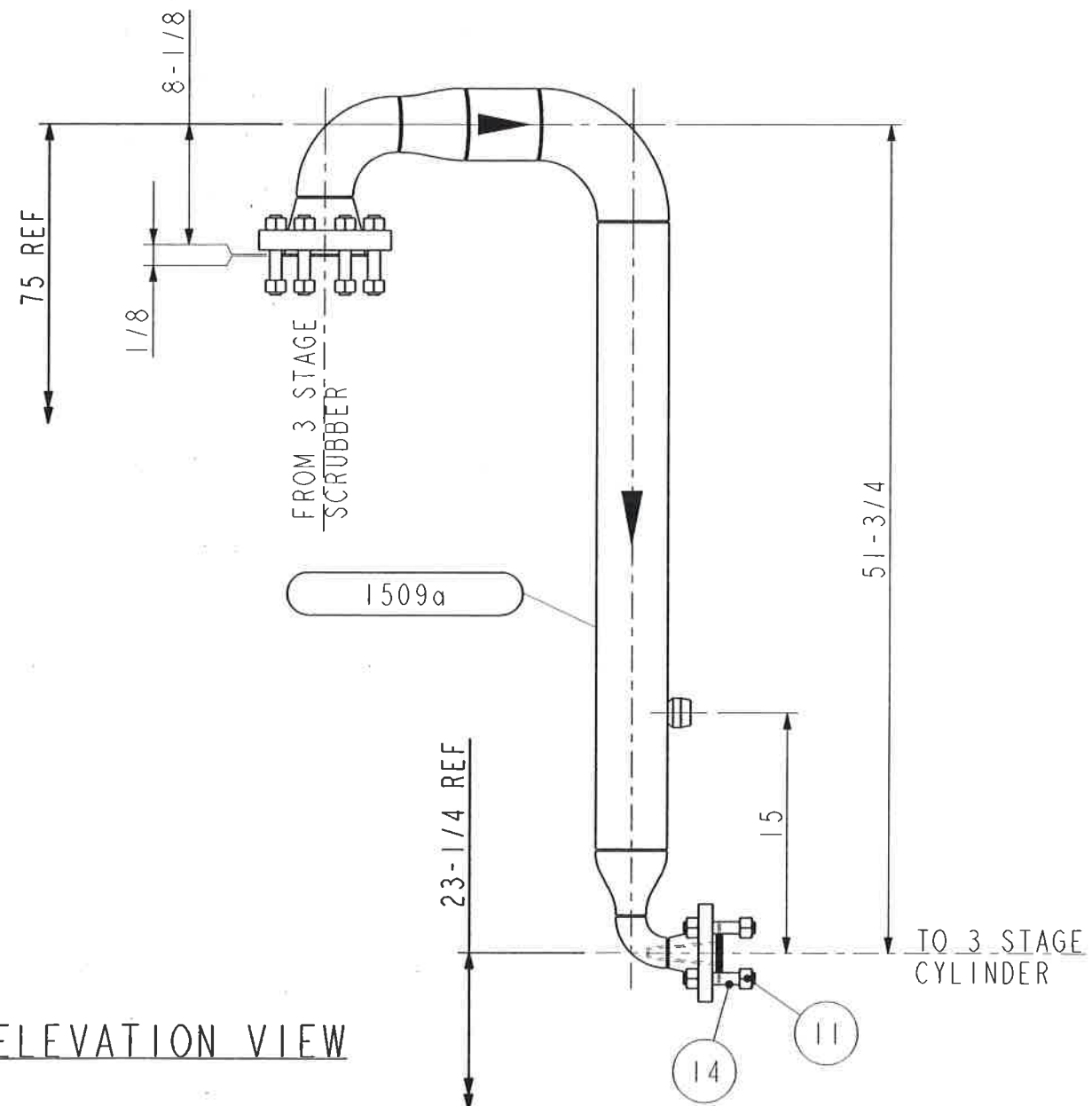
0	KMB	ISSUED FOR TBA	17 MAY 01
REV.	BY	CHK'D	DATE
		ECR No. or REVISION DESCRIPTION	

TITLE: **PROCESS SPOOL**  
FROM IC-2 OUTLET TO STAGE 3 SCRUBBER

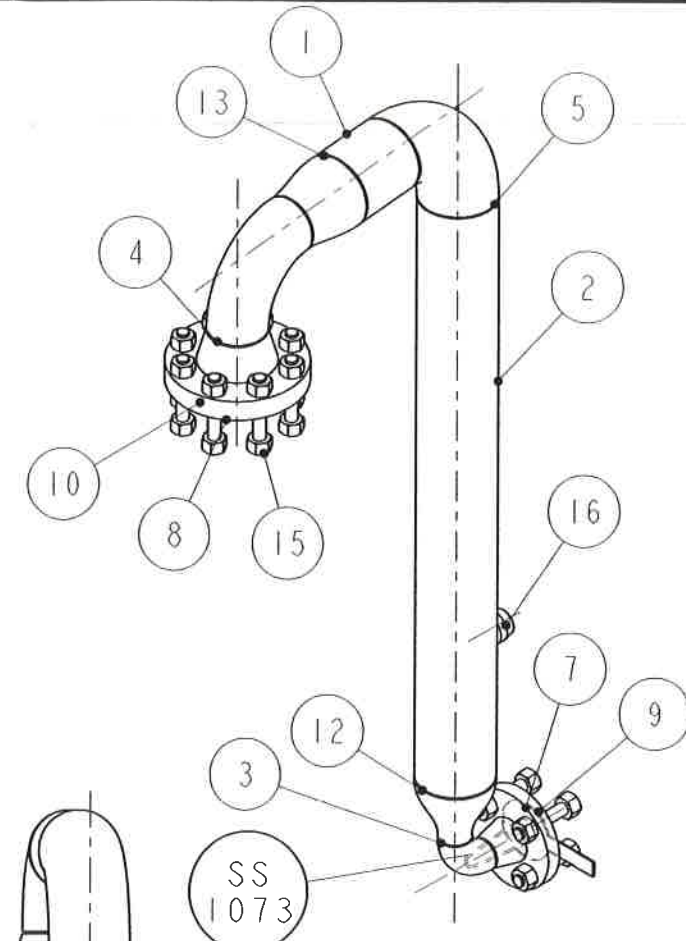
END USER/CONSULTANT:	LEASE FLEET	CUST. P.O. No.	TBA
LOCATION:	TBA LSD: TBA	REV.	0
DRAWN:	J.M.	W.O. No.	018077
DATE:	08-Feb-01	UNIT No.	WC-215-3STG
CHK'D:	<i>[Signature]</i>	No. REQ'D	ONE PER W.O.
PRJ. LDR.	B. MINSHULL	SCALE:	3:64
DWG. REFERENCE:			WC215-3STG-1508 Rev.0
DWG. No.			018077-1508
(SHEET 1 OF 1)			



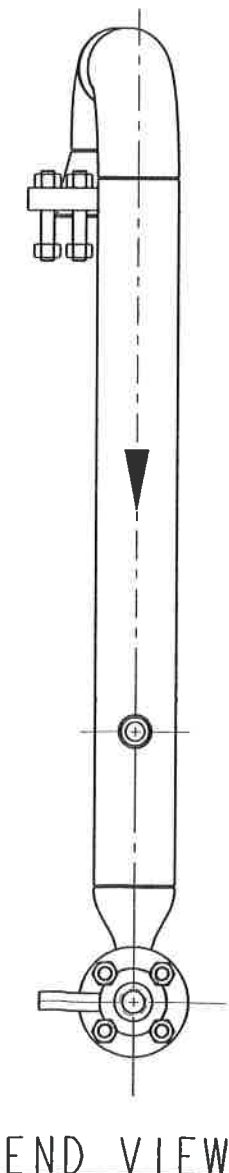
PLAN VIEW



ELEVATION VIEW



ISO VIEW  
SCALE 3:32



END VIEW

BILL OF MATERIAL

NOTE: ITEM No. = FIRST TWO DIGITS (WORK CENTER), LAST TWO DIGITS (ITEM No.)

ITEM	PART No.	QTY	STOCK REQ	DESCRIPTION
1501	600-8245	1	4.480	PIPE, SA106-B, SMLS, 4, STD
1502	600-8245	1	39.125	PIPE, SA106-B, SMLS, 4, STD
1503	802-0987	1		ELBOW, 1.50, XH, LR, 90, SA234-WPB
1504	601-9755	1		ELBOW, 3, STD, LR, 90, SA234-WPB
1505	600-8391	1		ELBOW, 4, STD, LR, 90, SA234-WPB
1506	602-7108	1		FLANGE, RFBL, 1.50-600, SA105N
1507	605-7368	1		FLANGE, RFWN, 1.50-600, XH, SA105N
1508	600-8342	1		FLANGE, RFWN, 3-600, STD, SA105N
1509	800-2658	3		GASKET, FLEX, 1.50-3, 4-600RF, CHLOROCARB, 316SS
1510	800-2682	1		GASKET, FLEX, 3-3, 4-600RF, CHLOROCARB, 316SS
1511	801-8622	32		NUT, 0.75, SA194-2HM
1512	807-5811	1		RED, CONC, 4x1.50, STD/XH, SA234-WPB
1513	601-1987	1		RED, CONC, 4x3, STD, SA234-WPB
1514	801-6387	8		STUD, 0.75x4.50, SA193-B7M
1515	801-6402	8		STUD, 0.75x5.00, SA193-B7M
1516	802-7101	1		TOL, 0.75-6000, SA105N

SPOOL DESIGN/TEST DATA

SERVICE/LINE No.	D. P. @ D. T.	TEST PRESS.	TEST MEDIUM	VOLUME
1509a	1290 PSIG @ 350°F	2220 PSIG	HYDRO	cu. ft.

GENERAL NOTES

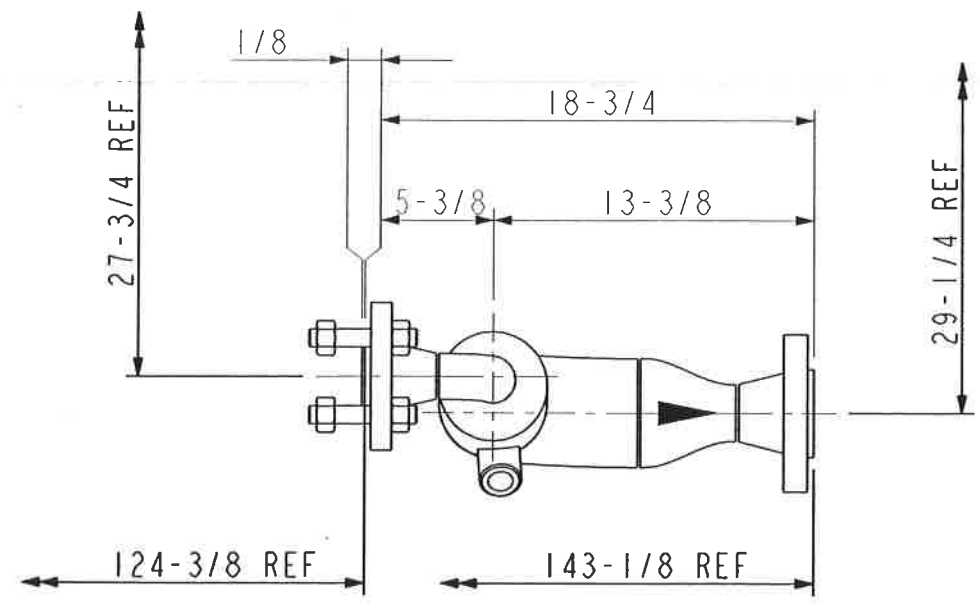
- THIS DRAWING IS NOT TO BE USED FOR CONSTRUCTION UNLESS STAMPED "RELEASED FOR FABRICATION".
- ALL DIMENSIONS ARE IN INCHES.
- DESIGN TO ASME B31.3-1999 EDITION, 2000 ADDENDA.
- CORROSION ALLOWANCE: 0.0625".
- WELDING IN ACCORDANCE WITH PROCEDURE WP970.2.
- ALL TACK WELDS AND NON-PRESSURE RETAINING WELDS PER WPS 101.
- FABRICATION OF WELDS IN ACCORDANCE WITH WPS 101 AND WPS 103.
- RADIOGRAPHY 5x.
- OTHER NON-DESTRUCTIVE EXAMINATION - VISUAL.
- POSTWELD HEAT TREATMENT: NOT REQUIRED.
- DIMENSIONS IN BOLD PRINT DENOTE REFERENCES.
- G. M. A. W. ROOT PASS ONLY / ALL POSITIONAL WELDS TO BE WPS 101.
- ALL PIPING IS DESIGNATED WITH 1/8" ROOT GAP AND SHRINKAGE.
- ALL FLANGE BOLT HOLES SHALL BE STRADDLE HORIZONTAL AND VERTICAL CENTERLINES UNLESS OTHERWISE SPECIFIED.

THIS DOCUMENT IS SUPPLIED IN CONFIDENCE. REPRODUCTION OR DISTRIBUTION IN WHOLE OR IN PART WITHOUT THE WRITTEN PERMISSION OF UNIVERSAL COMPRESSION IS STRICTLY PROHIBITED.

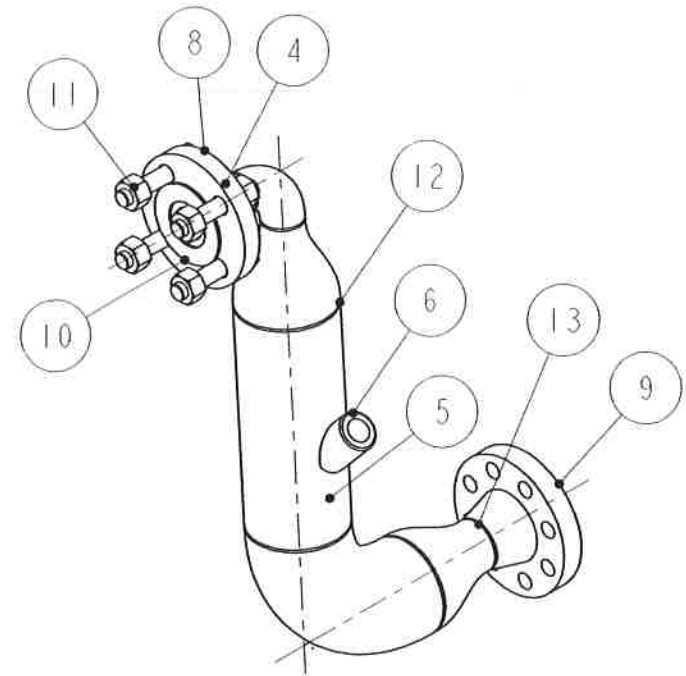
0	KMB	ISSUED FOR FABRICATION	17 MAY 01
REV.	BY	CHK'D	DATE

TITLE: <b>PROCESS SPOOL</b> FROM STAGE 3 SCRUBBER TO STAGE 3 CYLINDER	
END USER/CONSULTANT: LEASE FLEET	CUST. P.O. No. TBA
LOCATION TBA LSD: TBA	REV. 0
DRAWN: J.M.	DWG. REFERENCE: WC215-3STG-1509 Rev. 0
DATE: 08-Feb-01	
CHK'D: [Signature]	DWG. No. 018077-1509
PRJ. LDR: B. MINSHULL	SCALE: 3:32
	(SHEET 1 OF 1)



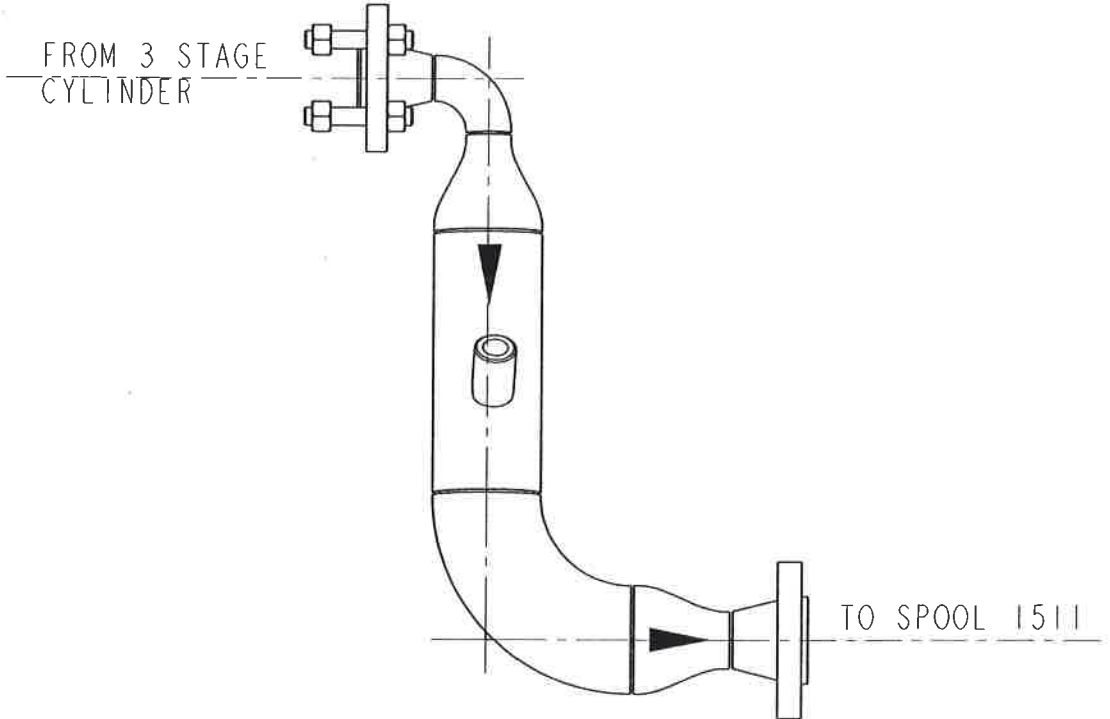


PLAN VIEW

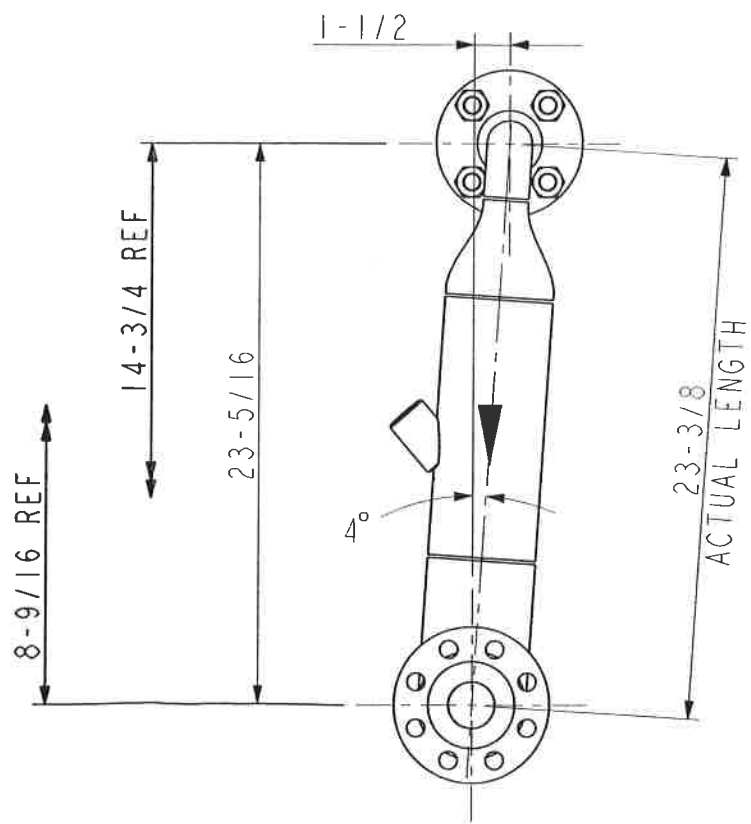


ISO VIEW

SCALE 1:8



ELEVATION VIEW



END VIEW

BILL OF MATERIAL

NOTE: ITEM No. - FIRST TWO DIGITS (WORK CENTER), LAST TWO DIGITS (ITEM No.)

ITEM	PART No.	QTY	STOCK REQ	DESCRIPTION
1501	600-8245	1	3.000	PIPE, SA106-B, SMLS, 4, STD
1502	600-8245	1	3.125	PIPE, SA106-B, SMLS, 4, STD
1503	600-8245	1	10.726	PIPE, SA106-B, SMLS, 4, STD
1504	802-0987	1		ELBOW, 1.50, XH, LR, 90, SA234-WPB
1505	600-8391	1		ELBOW, 4, STD, LR, 90, SA234-WPB
1506	802-2569	1		EOL, 0.75-3000, SCR, SA105N
1507	602-7108	1		FLANGE, RFBL, 1.50-600, SA105N
1508	605-7368	1		FLANGE, RFWN, 1.50-600, XH, SA105N
1509	601-1605	1		FLANGE, RFWN, 2-600, XH, SA105N
1510	800-2658	2		GASKET, FLEX, 1.50-3, 4-600RF, CHLOROCARB, 316SS
1511	801-8622	16		NUT, 0.75, SA194-2HM
1512	807-5811	1		RED, CONC, 4x1.50, STD/XH, SA234-WPB
1513	809-1562	1		RED, CONC, 4x2, STD/XH, SA234-WPB
1514	801-6387	8		STUD, 0.75x4.50, SA193-B7M

SPOOL DESIGN/TEST DATA

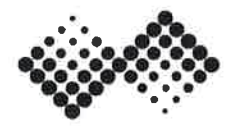
SERVICE/LINE No.	D.P. @ D.T.	TEST PRESS	TEST MEDIUM	VOLUME
1510	1290 PSIG @ 350°F	2220 PSIG	HYDRO	cu. ft.

GENERAL NOTES

- THIS DRAWING IS NOT TO BE USED FOR CONSTRUCTION UNLESS STAMPED "RELEASED FOR FABRICATION".
- ALL DIMENSIONS ARE IN INCHES.
- DESIGN TO ASME B31.3-1999 EDITION, 2000 ADDENDA.
- CORROSION ALLOWANCE: 0.0625".
- WELDING IN ACCORDANCE WITH PROCEDURE WP970.2
- ALL TACK WELDS AND NON-PRESSURE RETAINING WELDS PER WPS 101.
- FABRICATION OF WELDS IN ACCORDANCE WITH WPS 101 AND WPS 103.
- RADIOGRAPHY 5x.
- OTHER NON-DESTRUCTIVE EXAMINATION - VISUAL.
- POSTWELD HEAT TREATMENT: NOT REQUIRED.
- DIMENSIONS IN BOLD PRINT DENOTE REFERENCES.
- G.M.A.W. ROOT PASS ONLY / ALL POSITIONAL WELDS TO BE WPS 101.
- ALL PIPING IS DESIGNATED WITH 1/8" ROOT GAP AND SHRINKAGE.
- ALL FLANGE BOLT HOLES SHALL BE STRADDLE HORIZONTAL AND VERTICAL CENTERLINES UNLESS OTHERWISE SPECIFIED.

THIS DOCUMENT IS SUPPLIED IN CONFIDENCE. REPRODUCTION OR DISTRIBUTION IN WHOLE OR IN PART WITHOUT THE WRITTEN PERMISSION OF UNIVERSAL COMPRESSION IS STRICTLY PROHIBITED.

0	KMB	ISSUED FOR FABRICATION	17 MAY 01
REV	BY	CHK'D	DATE

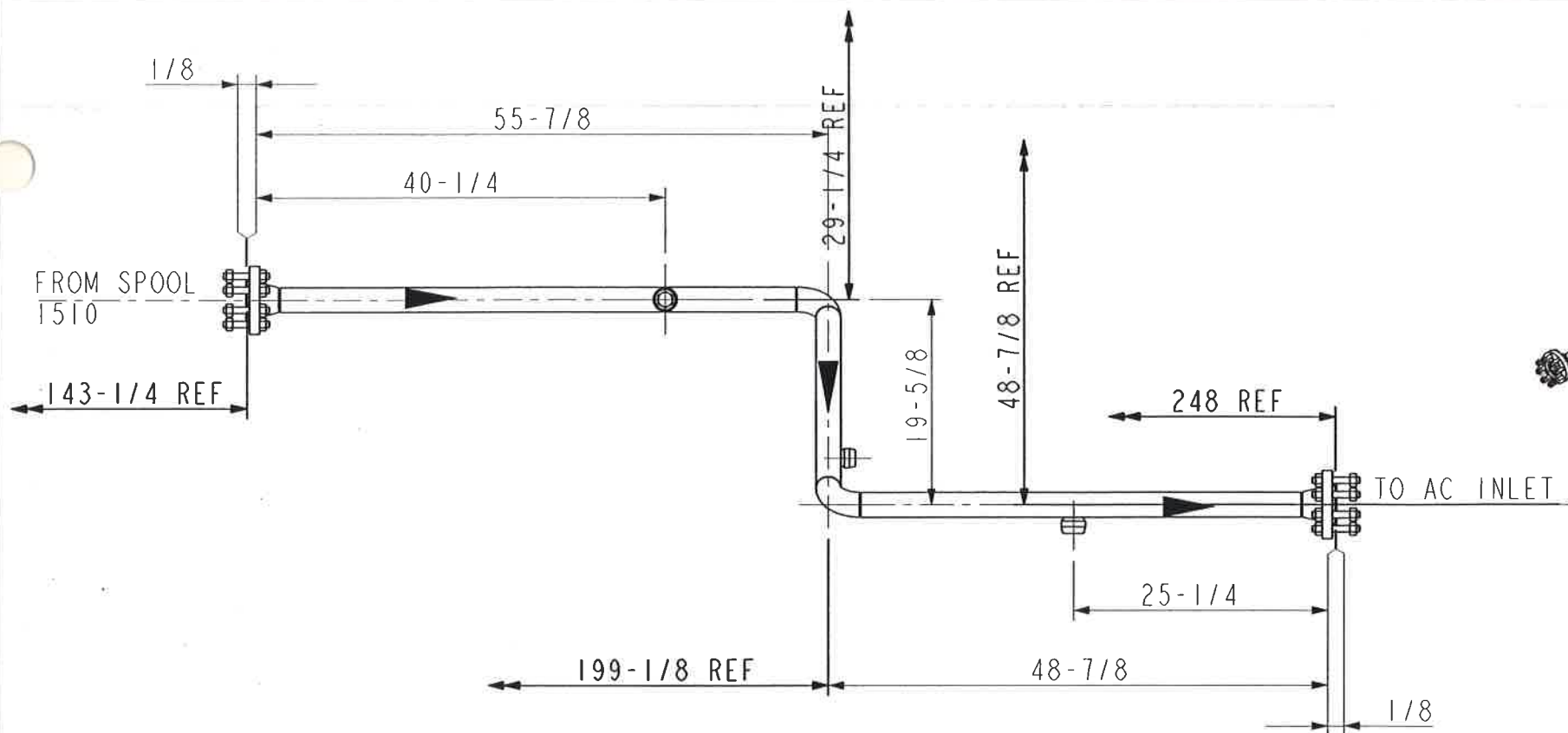


**UNIVERSAL COMPRESSION**  
 4949 - 76th Avenue S.E. 403/236-5252 Main  
 P.O. Box 5308, Station A 800/661-5252 Toll Free  
 Calgary, Alberta, Canada T2H 1X6 403/236-4261 Fax

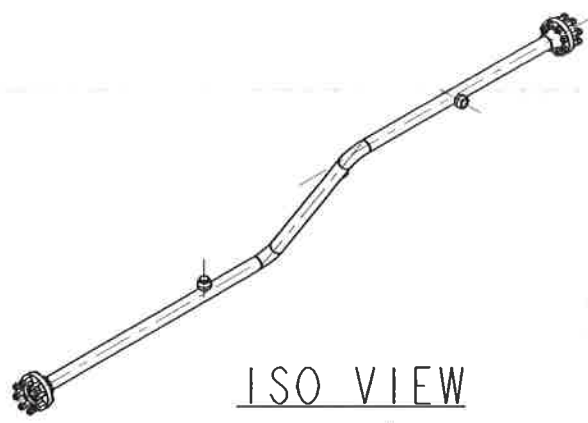
TITLE: **PROCESS SPOOL**  
 FROM 3 STAGE CYLINDER TO SPOOL 1511

END USER/CONSULTANT:		LEASE FLEET		CUST. P.O. No.		TBA	
LOCATION:		TBA LSD: TBA		REV.		0	
DRAWN:		J.M.		W.O. No.		018077	
DATE:		08-Feb-01		UNIT No.		WC-215-3STG	
CHK'D:		B. Minshull		No REQ'D		ONE PER W.O.	
PRJ. LDR.		B. Minshull		SCALE:		1:8	
						DWG. No. 018077-1510	
						1 SHEET OF 11	

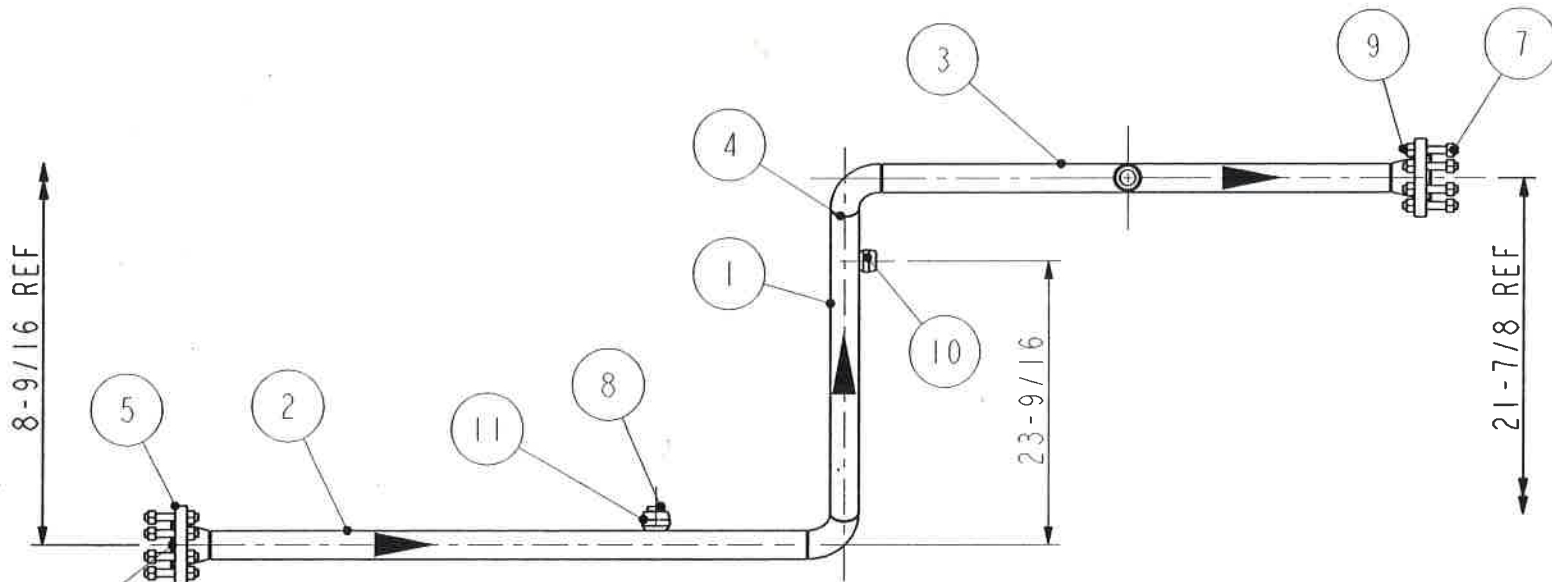




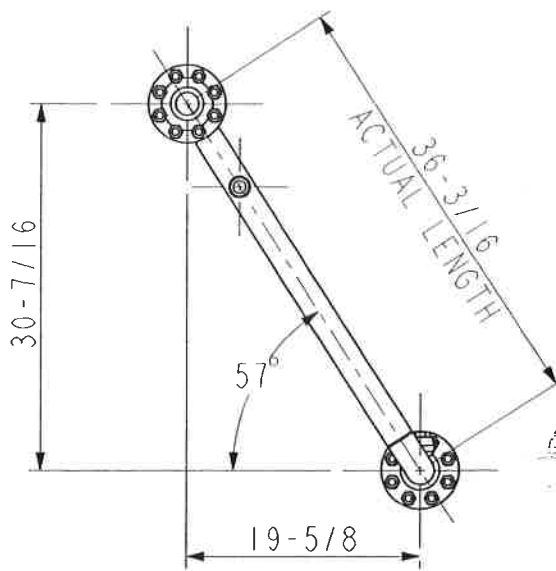
PLAN VIEW



ISO VIEW  
SCALE 1:32



ELEVATION VIEW



END VIEW

BILL OF MATERIAL

NOTE: ITEM No. - FIRST TWO DIGITS (WORK CENTER), LAST TWO DIGITS (ITEM No.)

ITEM	PART No.	QTY	STOCK REQ	DESCRIPTION
1501	601-1679	1	29.947	PIPE, SA106-B, SMLS, 2, XH
1502	601-1679	1	42.500	PIPE, SA106-B, SMLS, 2, XH
1503	601-1679	1	49.500	PIPE, SA106-B, SMLS, 2, XH
1504	601-1816	2		ELBOW, 2, XH, LR, 90, SA234-WPB
1505	601-1605	2		FLANGE, RFWN, 2-600, XH, SA105N
1506	800-2666	2		GASKET, FLEX, 2-3, 4-600RF, CHLOROCARB, 316SS
1507	801-8614	32		NUT, 0.62, SA194-2HM
1508	600-3928	1		PLUG, HEX, 1-6000, SA105N, IML
1509	801-6305	16		STUD, 0.62x4.50, SA193-B7M
1510	802-7101	1		TOL, 0.75-6000, SA105N
1511	802-7126	2		TOL, 1-6000, SA105N

SPOOL DESIGN/TEST DATA

SERVICE/LINE No.	D.P. @ D.T.	TEST PRESS.	TEST MEDIUM	VOLUME
1511	1290 PSIG @ 350°F	2220 PSIG	HYDRO	cu. ft.

GENERAL NOTES

- THIS DRAWING IS NOT TO BE USED FOR CONSTRUCTION UNLESS STAMPED "RELEASED FOR FABRICATION".
- ALL DIMENSIONS ARE IN INCHES.
- DESIGN TO ASME B31.3-1999 EDITION, 2000 ADDENDA.
- CORROSION ALLOWANCE: 0.0625".
- WELDING IN ACCORDANCE WITH PROCEDURE WP970.2
- ALL TACK WELDS AND NON-PRESSURE RETAINING WELDS PER WPS 101.
- FABRICATION OF WELDS IN ACCORDANCE WITH WPS 101 AND WPS 103.
- RADIOGRAPHY 5X.
- OTHER NON-DESTRUCTIVE EXAMINATION - VISUAL.
- POSTWELD HEAT TREATMENT: NOT REQUIRED.
- DIMENSIONS IN BOLD PRINT DENOTE REFERENCES.
- G.M.A.W. ROOT PASS ONLY / ALL POSITIONAL WELDS TO BE WPS 101.
- ALL PIPING IS DESIGNATED WITH 1/8" ROOT GAP AND SHRINKAGE.
- ALL FLANGE BOLT HOLES SHALL BE STRADDLE HORIZONTAL AND VERTICAL CENTERLINES UNLESS OTHERWISE SPECIFIED.

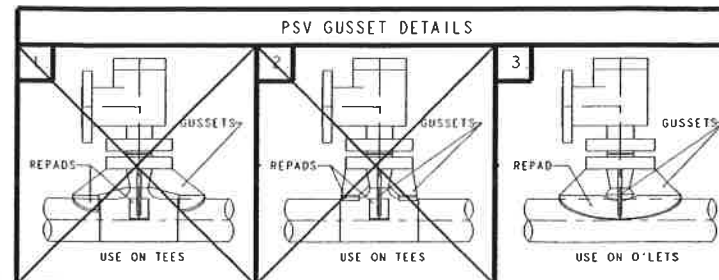
THIS DOCUMENT IS SUPPLIED IN CONFIDENCE. REPRODUCTION OR DISTRIBUTION IN WHOLE OR IN PART WITHOUT THE WRITTEN PERMISSION OF UNIVERSAL COMPRESSION IS STRICTLY PROHIBITED.

0	KMB	ISSUED FOR FABRICATION	17 MAY 01
REV.	BY	CHK'D	DATE

**UNIVERSAL COMPRESSION**  
4949 - 76th Avenue S.E. 403/236-5252 Main  
P.O. Box 5308, Station A 800/661-5252 Toll Free  
Calgary, Alberta, Canada T2H 1X6 403/236-4261 Fax

PROCESS SPOOL

FROM SPOOL 1510 TO AC INLET



END USER/CONSULTANT:	LEASE FLEET	CUST. P.O. No.	TBA
LOCATION:	TBA LSD: TBA	REV.	0
DRAWN:	J.M.	W.O. No.	018077
DATE:	08-Feb-01	UNIT No.	WC-215-3STG
CHK'D:	<i>[Signature]</i>	No REQ'D	ONE PER W.O.
PRJ. LDR.	B. MINSHULL	SCALE:	1:16
DWG REFERENCE:			WC215-3STG-1511 Rev. 0
DWG No.			018077-1511
(SHEET 1 OF 1)			