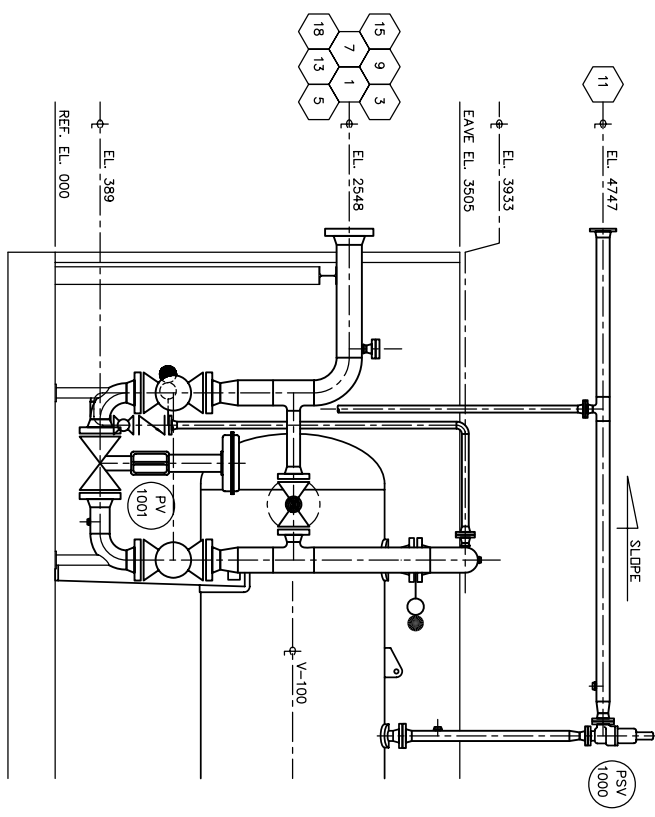
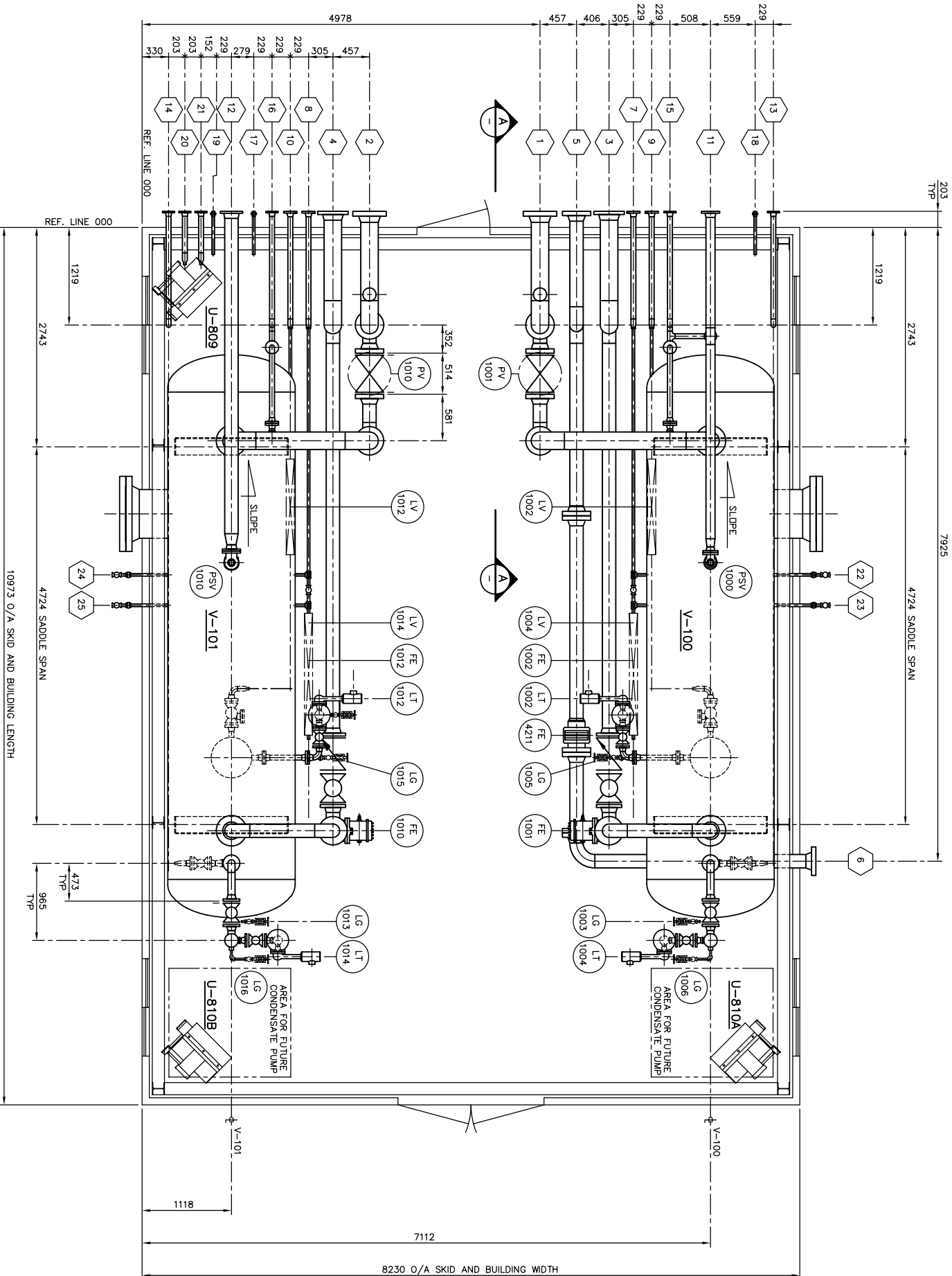


THE-IN SCHEDULE

- 1 8" 600# RF L.P. INLET EL. 2438 B.O.P.
- 2 8" 600# RF H.P. INLET EL. 2438 B.O.P.
- 3 8" 300# RF GAS INLET EL. 2438 B.O.P.
- 4 8" 300# RF GAS OUTLET EL. 2438 B.O.P.
- 5 6" 600# RF SALES GAS INLET EL. 2438 B.O.P.
- 6 6" 600# RF SALES GAS OUTLET EL. 305 B.O.P.
- 7 2" 300# RF CONDENSATE OUTLET EL. 2438 B.O.P.
- 8 2" 300# RF CONDENSATE INLET EL. 2438 B.O.P.
- 9 2" 600# RF PROD'D WATER OUTLET EL. 2438 B.O.P.
- 10 2" 600# RF PROD'D WATER OUTLET EL. 2438 B.O.P.
- 11 4" 150# RF RELEF LINE O.P. EL. 4690 B.O.P.
- 12 6" 150# RF RELEF LINE O.P. EL. 4695 B.O.P.
- 13 2" 300# RF DRAIN EL. 2438 B.O.P.
- 14 2" 300# RF DRAIN EL. 2438 B.O.P.
- 15 2" 150# RF FUEL GAS SUPPLY EL. 2438 B.O.P.
- 16 2" 150# RF INSTRUMENT AIR SUPPLY EL. 2438 B.O.P.
- 17 1" 3000 NPT INSTRUMENT AIR SUPPLY EL. 2438 B.O.P.
- 18 1" 3000 NPT INSTRUMENT AIR SUPPLY EL. 2438 B.O.P.
- 19 1" 3000 NPT INSTRUMENT VENT OUTLET EL. 2438 B.O.P.
- 20 2" 150# RF HEAT MEDIUM SUPPLY EL. 2540 B.O.P.
- 21 2" 150# RF HEAT MEDIUM RETURN EL. 2540 B.O.P.
- 22 1" 3000 NPT PROVER CONNECTION EL. 305 B.O.P.
- 23 1" 3000 NPT PROVER CONNECTION EL. 305 B.O.P.
- 24 1" 3000 NPT PROVER CONNECTION EL. 305 B.O.P.
- 25 1" 3000 NPT PROVER CONNECTION EL. 305 B.O.P.



- NOTES:
- 1) ALL ELEVATIONS ARE TAKEN FROM TOP OF CHECKER PLATE REFERENCE ELEVATION 000.
 - 2) FOR PIPING SURFACE PREPARATION AND PAINT NOTES SEE INSTRUMENT LIST.
 - 3) SHOP SUPPORT ALL 2" NPS IS SHOWN FOR REFERENCE ONLY.
 - 4) ALL PIPING UNDER 2" NPS IS SHOWN FOR REFERENCE ONLY.
 - 5) TOTAL APPROXIMATE PACKAGE WEIGHT: 131,000 lbs (59,420 kg).

		PRESSON MANUFACTURING LTD. ENGINEERING — DESIGN — FABRICATION
CUSTOMER: UNION PACIFIC RESOURCES INC.	PROJECT: TELFORDVILLE GAS PLANT LSD 16-29-50-02 W5M	JOB NO.: B6286-02
TITLE: INLET SEPARATOR PACKAGE GENERAL ARRANGEMENT		
DRAWN: GRS	CHECKED: GRS	DATE: 98/07/09
SCALE: 3/8" = 1'-0"		DRAWING NUMBER: B6286-320