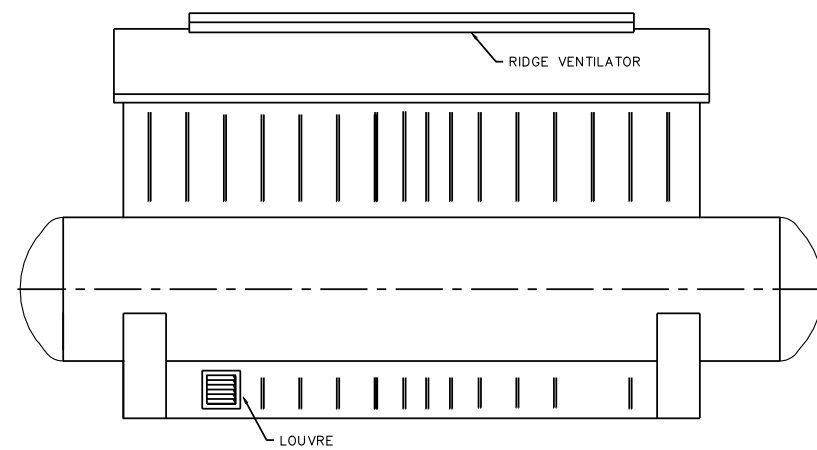
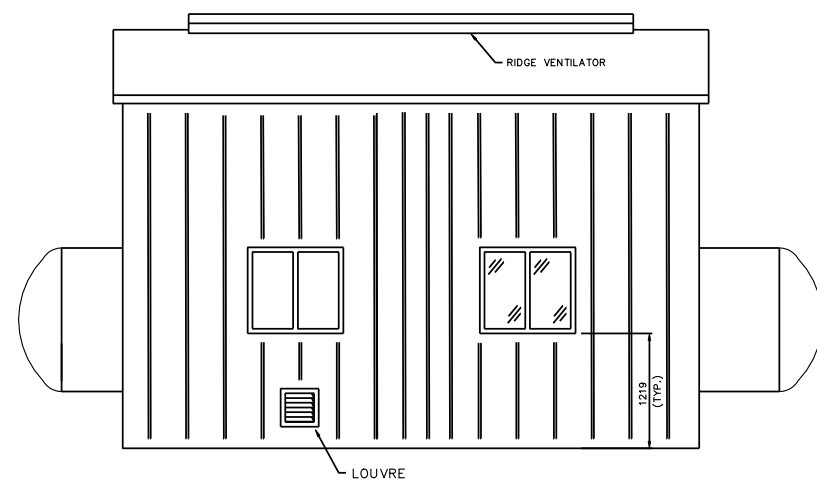


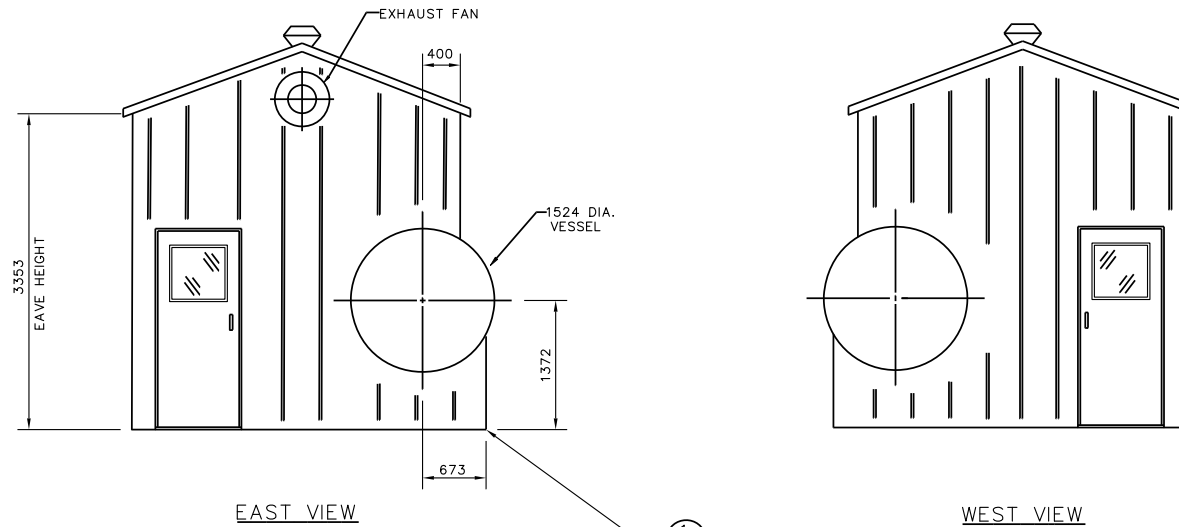
PLAN



SOUTH VIEW



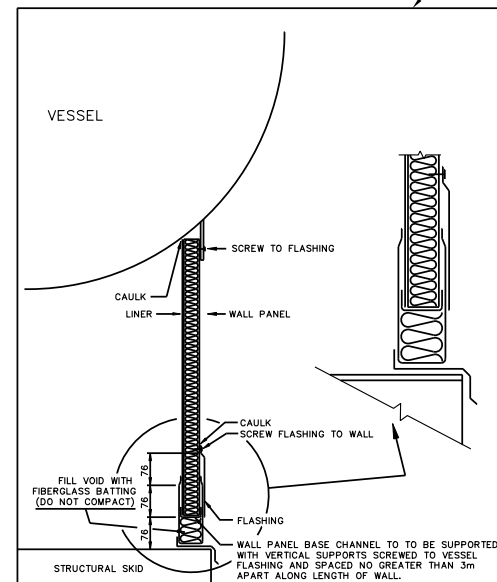
NORTH VIEW



EAST VIEW

WEST VIEW

1
2
DETAIL



FLASHING DETAIL
(BETWEEN VESSEL SADDLES)

NOTE:
1. BDR ENGINEERING MUST SEE ENGINEERED, APPROVED & STAMPED DRAWINGS BEFORE CONSTRUCTION.

BUILDING SPECIFICATIONS

DESIGN NOTES

- THE BUILDING SHALL BE DESIGNED FOR MIN. WIND LOADS OF 160 KMPH, SNOW LOADS OF 2 KPA AND AS PER THE LATEST EDITION OF THE ALBERTA BUILDING CODE.
LOCATION:
- ALL BOLTS, SCREWS, ETC. USED FOR FASTENING ALUMINUM TO ALUMINUM AND ALUMINUM TO STEEL SHALL BE AUSTINETIC STAINLESS STEEL OR CADMIUM PLATED.
- PROVIDE PRE-MOULDED RUBBER OR NEOPRENE CLOSURE STRIPS DESIGNED TO WEATHERTIGHT AND WATERTIGHT JOINTS AT ALL TERMINATIONS BETWEEN PANELS AND ADJOINING INSTALLATIONS.

GENERAL NOTES

- NOTES WHICH ARE APPLICABLE TO THIS JOB WHEN SHADED.
- SUBNOTES WHICH ARE APPLICABLE WHEN SHADED.

1	TYPE OF BUILDING	<input type="checkbox"/> SELF FRAMING - SHED <input checked="" type="checkbox"/> SELF FRAMING - GABLE <input type="checkbox"/> RIGID FRAMING - GABLE
2	MATERIAL - WALL AND ROOF PANELS (22 GA. MIN)	<input type="checkbox"/> GALVANIZED <input type="checkbox"/> ALUMINUM <input checked="" type="checkbox"/> PRE-PAINTED STEEL COLOR: WALLS SURF WHITE DOORS SLATE BLUE ROOF SLATE BLUE TRIM SLATE BLUE
3	ROOF SLOPE	<input type="checkbox"/> 1:12 <input type="checkbox"/> 2:12 <input type="checkbox"/> 3:12 <input checked="" type="checkbox"/> 4:12 <input type="checkbox"/> 5:12
4	INSULATION - FIBREGLASS	<input checked="" type="checkbox"/> WALLS R-10 <input checked="" type="checkbox"/> R-12 <input type="checkbox"/> R-14 <input type="checkbox"/> 3 LB./CU.FT. DENSITY SOUND <input checked="" type="checkbox"/> ROOF R-10 <input checked="" type="checkbox"/> R-12 <input type="checkbox"/> R-14 <input type="checkbox"/> 3 LB./CU.FT. DENSITY SOUND
5	DOORS - 20 GA METAL, INSULATED (NOMINAL SIZES)	<input checked="" type="checkbox"/> 2_914x2134 <input checked="" type="checkbox"/> WS <input checked="" type="checkbox"/> WGW <input checked="" type="checkbox"/> PH <input checked="" type="checkbox"/> LS <input checked="" type="checkbox"/> DC <input checked="" type="checkbox"/> SF <input checked="" type="checkbox"/> CC <input type="checkbox"/> CP <input type="checkbox"/> 1829x2134 <input type="checkbox"/> WS <input type="checkbox"/> WGW <input type="checkbox"/> PH <input type="checkbox"/> LS <input type="checkbox"/> DC <input type="checkbox"/> SF <input type="checkbox"/> CC <input type="checkbox"/> CP WS - WEATHER STRIPPING WGW - WIRE GLAZED WINDOW PH - PANIC HARDWARE LS - LOCKSET DC - DOOR CLOSURE SF - STEEL FRAME CC - CHECKCHAIN CP - CANOPY
6	WINDOWS - HORIZONTAL SLIDING c/w SCREEN (DOUBLE GLAZED)	<input checked="" type="checkbox"/> 2_1016x1016 <input type="checkbox"/> 1016x1270 <input type="checkbox"/> 1016x1524 <input type="checkbox"/> WIRE GLAZED
7	LINING	<input checked="" type="checkbox"/> 24 GA FLUTED ALUMINUM <input type="checkbox"/> 22 GA PERFORATED ALUMINUM
8	ERECTION	<input type="checkbox"/> ON SITE BY BUILDING MANUFACTURER <input checked="" type="checkbox"/> AT FAB. SHOP BY BUILDING MANUFACTURER. <input type="checkbox"/> ON CONCRETE FOUNDATION (BY OTHERS) <input type="checkbox"/> ON STRUCTURAL STEEL SKID (BY OTHERS)
9	WALL LOUVRES (NOMINAL SIZES)	<input checked="" type="checkbox"/> 2-305 SQ. STAMPED LOUVRE C/W SLIDE CLOSURE AND SCREEN <input type="checkbox"/> ADJUSTABLE LOUVRE C/W MANUAL CONTROL AND SCREEN
10	RIDGE VENTILATOR	<input checked="" type="checkbox"/> RIDGE VENTILATOR C/W MANUAL CONTROLS AND BIRDSCREEN (CAPABLE OF 4 AIR CHANGES PER HOUR BASED ON 8 KMPH WINDS)
11	ROLL-UP DOORS / SECTIONAL O/H DOORS / SLIDING DOORS	<input type="checkbox"/> STEEL ROLL-UP DOOR <input type="checkbox"/> DIRECT DRIVE CHAIN HOIST <input type="checkbox"/> STEEL SECTIONAL O/H DOOR <input type="checkbox"/> GEARED CHAIN HOIST <input type="checkbox"/> STEEL SLIDING DOOR <input type="checkbox"/> MANUAL OPER. CHAIN HOIST <input type="checkbox"/> INSULATED
12	FANS - ROOF/WALL	<input type="checkbox"/> ROOF ELECTRIC DRIVEN FAN CAPABLE OF PROVIDING A MIN. OF 12 AIR CHANGES/HOUR AT 1/8" SP c/w BACK DRAFT DAMPERS, ALUM. HOUSING AND BIRDSCREEN. MOTOR TO BE CSA APPROVED. <input checked="" type="checkbox"/> WALL EXPLOSION PROOF (CLASS I, GROUP D, DIVISION I) 120/240 V, 60 Hz, 1 PHASE. EXTERNALLY MOUNTED; PENN DOMEK.
13	POLYETHYLENE VAPOUR BARRIER	<input type="checkbox"/> 2 MIL <input checked="" type="checkbox"/> 4 MIL <input type="checkbox"/> 6 MIL
14	RIGID FRAME - ANCHOR BOLTS/GIRTS	<input type="checkbox"/> COLUMN SIZES, ANCHOR BOLT SIZES AND LOCATIONS TO BE SUBMITTED TO BOWER DAMBERGER ROLSETH ENGINEERING LTD. BY BUILDING CONTRACTOR TO ALLOW FOR COMPLETION OF FOUNDATION DRAWING. BUILDING DRAWING TO BE SUBMITTED WITHIN 5 DAYS AFTER AWARD OF CONTRACT. <input type="checkbox"/> GIRTS TO BE LOCATED INSIDE BUILDING COLUMNS
15	CRANE	<input type="checkbox"/> 3 TON BRIDGE CRANE C/W MANUALLY OPERATED CHAIN HOIST MIN. HOOK HEIGHT _____
16	EAVESTROUGH, DOWNSPOUT AND ICE RAKES	<input type="checkbox"/> EAVESTROUGH <input type="checkbox"/> DOWNSPOUT <input checked="" type="checkbox"/> ICE RAKES

NO.	REVISION	PROJ. No.	BY	DATE	CHK.	DATE
1	MOVED FROM ASSUMPTION GAS PLANT	33516	SW	04.01.07		

PERMIT STAMP:

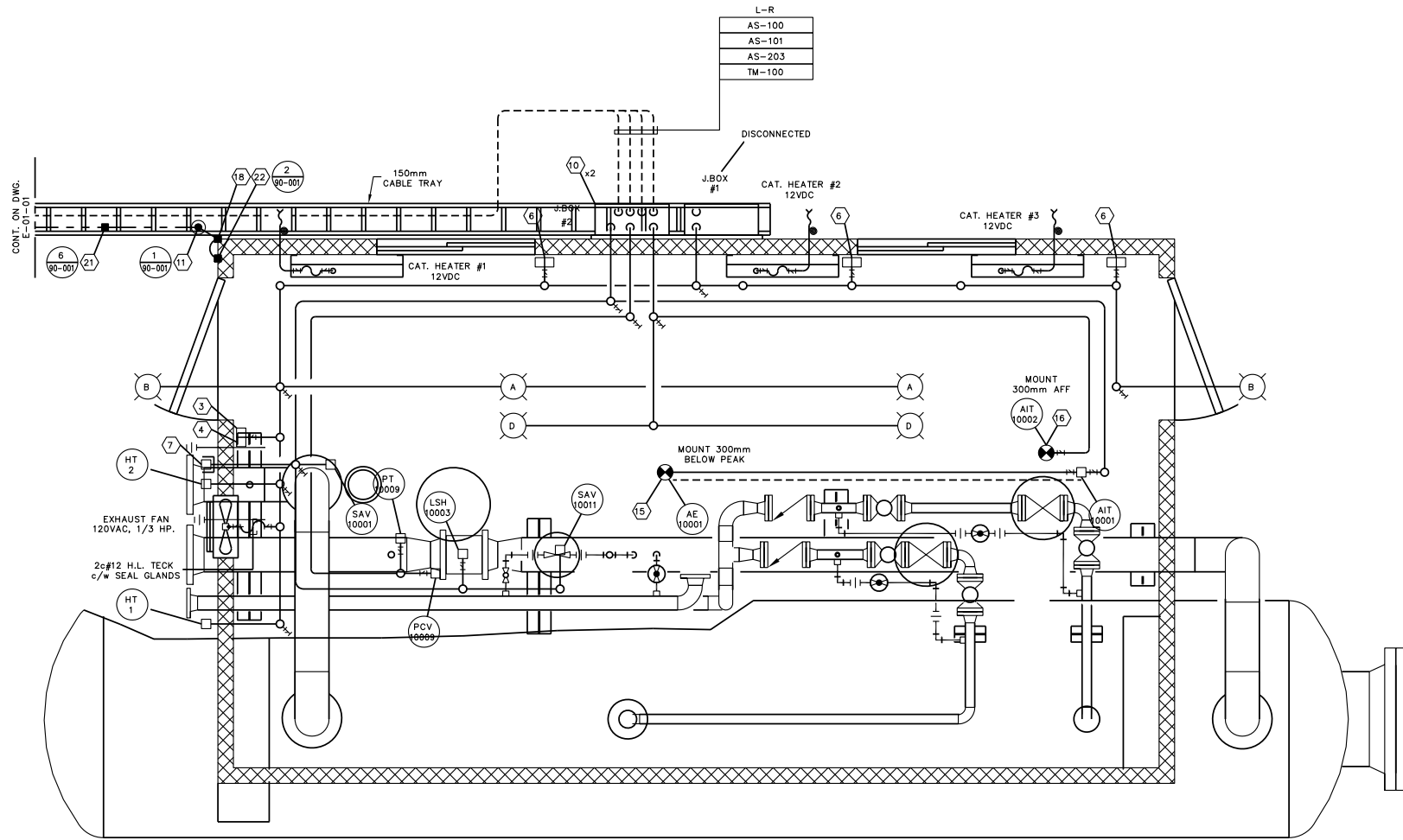
GENERAL NOTES:

- "POST CONSTRUCTION DRAWINGS" ARE GENERATED FROM CONSTRUCTION CHANGE INFORMATION FORWARDED TO BOWER DAMBERGER ROLSETH ENGINEERING LTD. BY THE OWNER'S FIELD SUPERVISOR AND/OR SUB CONTRACTORS. ANY CHANGES NOT DOCUMENTED WILL NOT APPEAR ON THE DRAWINGS AND THEREFORE THE DRAWINGS MAY NOT BE AN ACCURATE REPRESENTATION OF THE CONSTRUCTED FACILITY.
- PRIOR TO THE COMMENCEMENT OF ANY CONSTRUCTION AND/OR EXCAVATION IT SHALL BE THE RESPONSIBILITY OF THE OWNER'S REPRESENTATIVE TO VERIFY THE LOCATION AND STATUS OF ANY PIPING, ELECTRICAL, EQUIPMENT OR BUILDINGS.
- ANY REVISIONS MADE TO EXISTING EQUIPMENT, PIPING OR ELECTRICAL ON A FACILITY NOT DESIGNED BY B.D.R. ENG. LTD. IS ONLY SHOWN AS A REPRESENTATION OF WHAT EXISTS AND MUST BE VERIFIED BY THE OWNER.

BY	DATE
ASA	02.01.20
CHK.	
APP'D.	
L.S.D.	10-10-111-20W5



HUSKY OIL OPERATIONS LIMITED		
EVERGREEN 10-10 BOOSTER COMPRESSOR STATION INLET SKID BUILDING DETAILS		
SCALE	DRAWING NUMBER	REV
1:40	D-33516-B-01-01	1



V-100 INLET BUILDING
3760 x 6150
EAVE HEIGHT - 3200

BILL OF MATERIALS

(AS REQUIRED)

FIXTURES

- A. CROUSE HINDS #EVLPA143151 120V, 150W HPS PENDANT MOUNT, EXPLOSION PROOF FIXTURE c/w GLOBE, GUARD AND LAMP.
- B. CROUSE HINDS #VXB25GP 120V, 150W INCANDESCENT, VAPOUR PROOF, WALL MOUNT OUTDOOR FIXTURE c/w GLOBE, GUARD AND LAMP.
- C. CROUSE HINDS #LPEX142151 120V, 150W HPS WALL MOUNT EXPLOSION PROOF FIXTURE c/w GLOBE, GUARD, LAMP AND WALL MOUNT BASE.
- D. CROUSE HINDS #EVA215 24VDC, 25W INCANDESCENT, EXPLOSION PROOF PENDANT MOUNT INDOOR FIXTURE c/w GLOBE, GUARD AND LAMP.
- E. CROUSE HINDS #VXHA-42GP 120V, 200W INCANDESCENT STANCHION MOUNT c/w GLOBE, GUARD AND LAMP.
- F. CROUSE HINDS #LMV52150GP CLASS I, DIV 2, 120V 150W HPS PENDANT MOUNT FIXTURE c/w GLOBE, GUARD AND LAMP.
- G. CLASS I, DIV 1, 120VAC BEACON - BLUE, ROTATING (FED SIG #FSS121X)
- H. CLASS I, DIV 1, 120VAC BEACON - RED, ROTATING (FED SIG #FSS121X)
- I. 2'x4' FLUORESCENT INDUSTRIAL WRAP AROUND FIXTURE c/w LAMPS.

MATERIALS

1. CROUSE HINDS EXPLOSION PROOF 3 POS. H.O.A. SWITCH.
2. CROUSE HINDS #EFS-2199, 120V, 1hp, EXPLOSION PROOF MANUAL MOTOR STARTING SWITCH c/w PROPERTY SIZED O.L. HEATER.
3. CROUSE HINDS 120V, 20A, EXPLOSION PROOF ON/OFF TUMBLER SWITCH.
4. CROUSE HINDS #CPS-152R 120V, 20A EXPLOSION PROOF FACTORY SEALED RECEPTACLE.
5. CROUSE HINDS EXPLOSION PROOF STOP/START STATION c/w LOCKOUT BAR FOR STOP BUTTON.
6. CATADYNE HEATER, 12VDC.
7. CROUSE HINDS #GHG432KLM005G7551211/2511 CLASS I, ZONE 1 ESD PUSHBUTTON c/w RED SHROUD, AND MIN 4"x6" ESD WARNING LAMICOID.
8. CLASS I ZONE 1 SPEED POTENTIOMETER c/w LOCAL/REMOTE AND ON/OFF SWITCH (BY OWNER).
9. EXPLOSION PROOF THERMOSTAT 120V, 10A 5°C TO 30°C. (OWNER SUPPLIED)
10. NEMA 4 STEEL ENCLOSURE SIZE AS REQUIRED c/w BACK PAN, TERMINAL BLOCKS AND HARDWARE.
11. 10' x 3/4" GROUNDRODS AND GROUNDWELLS c/w COVER.
12. TRUCK GROUNDING CABLE ASSEMBLY #4 WELDING CABLE c/w CLAMP AND STAND.
13. RUFFNECK MODEL 4, 480VAC 3PH ELECTRIC UNIT HEATER c/w BUILT-IN THERMOSTAT. (OWNER SUPPLIES)
14. NET SAFETY #UVU-120-A UNITIZED 120° UV FIRE DETECTOR c/w SWIVEL MOUNT, 3 PIG TAIL AND #B4-UV ASSY 4 WIRE TERMINATION BOX.
15. NET SAFETY #UT-P-SC1100-100-ASEP COMBUSTIBLE GAS DETECTOR c/w SENSOR SEPARATION KIT 24VDC 4-20mA SIGNAL OUTPUT.
16. NET SAFETY #MLP-A-ST1200-100 MILLENIUM H2S GAS DETECTOR, 24VDC c/w 4-20mA SIGNAL OUTPUT AND CCS-1 SPLASH GUARD.
17. HOFFMAN #A-NMVB DRAIN SEAL.
18. #2 GROUNDING SERVIT POST, OR #2 CRIMP-ON LUG.
19. #2/0-#2/0 C-TAP SPLICE, INSTALLED c/w TAPE & GLYPTOL SPRAY.
20. #2/0-#2 C-TAP SPLICE, INSTALLED c/w TAPE & GLYPTOL SPRAY.
21. #2/0 CABLE TRAY BONDING CONNECTOR.
22. BUILDING BONDING PLATE c/w #2 CRIMPLUG.
23. 1' 390V BU BRASS PIPE GROUNDING CLAMP OR EQUIVALENT. (x - THE LAST NUMBER REPRESENTS PIPE SIZE.)

NOTES:

1. ALL WIRING TO THE SKID DEVICES SHALL BE TAKEN FROM THE RIGHTHAND SIDE OF THE TERMINALS, DIRECT WITHOUT SPLICES OF ANY KIND.
2. WIRING FOR ALL DEVICES SHALL BE TAGGED AS PER J.BOX LAYOUTS.
3. FIELD CONTRACTOR TO ENSURE ALL INCOMING/EXITING TECK CABLES ARE c/w GROUNDING BUSHINGS.
4. ALL J.BOXES ARE TO HAVE LAMICOID NAME PLATES AS PER DRAWINGS.
5. FIELD CONTRACTOR WILL BE RESPONSIBLE FOR GROUNDING AS WELL AS THE PACKING AND POURING OF ALL SEALS. THIS APPLIES WHETHER OR NOT THE SKID ARRIVES PRE-WIRED.
6. CONDUIT METHOD WILL BE RA c/w ALL FITTINGS.
7. ALL CABLES TO ENTER/EXIT THE BOTTOM OF THE J.BOXES. ALL CONDUIT TO ENTER/EXIT THE TOP OF THE J.BOXES VIA MYERS HUB.
8. THIS SKID'S INTERIOR TO BE CLASSIFIED CLASS I, ZONE 1. THIS EXTERIOR TO BE CLASSIFIED CLASS I, ZONE 2.
9. INSTALLATION TO BE DONE ACCORDING TO GENERAL SPEC. INCLUDED WITH BID PACKAGE.
10. LEL DETECTORS TO BE INSTALLED USING OWNER SUPPLIED SEPARATION KITS. SEPARATION KITS TO BE MOUNTED @ APPROXIMATELY 1500mm TO CENTER.
11. WINDOWS AND DOORS MUST NOT BE USED FOR VENTILATION.

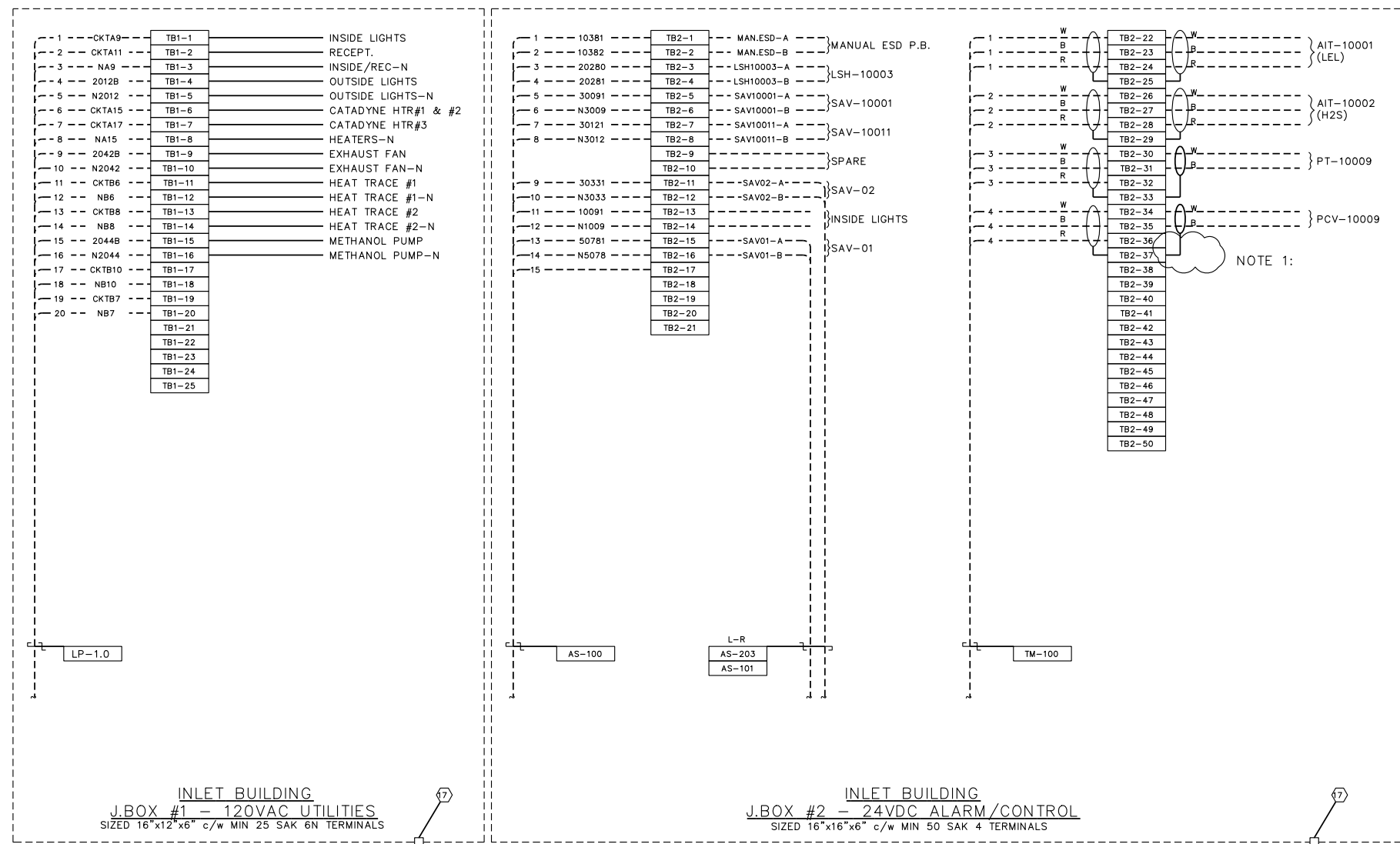
NO.	REVISION	PROJ. No.	BY	DATE	CHK.	DATE
7	AS BUILT FOR EWR 13595 EXCELSIOR 2408	13595	AK	2010/07/13	PK	10.08.30
6	POST CONSTRUCTION REVISIONS	33516	PC	04.04.13	BGO	04.04.13
5	GENERAL REVISION	33516	FC	04.02.27	BGO	04.02.27
4	GENERAL REVISION	33516	FC	04.02.18	BGO	04.02.18
3	ISSUED FOR CONSTRUCTION	33516	FC	04.02.04	BGO	04.02.04
2	ISSUED FOR BID	33516	FC	04.01.28	BGO	04.01.28
1	ISSUED FOR APPROVAL	33516	FC	04.01.19	BGO	04.01.28
0	TRANSFERRED FROM PROJ. #12756	33516	FC	04.01.12	BGO	04.01.12

PERMIT STAMP:	STAMP APPLIED TO REV. 3 ONLY

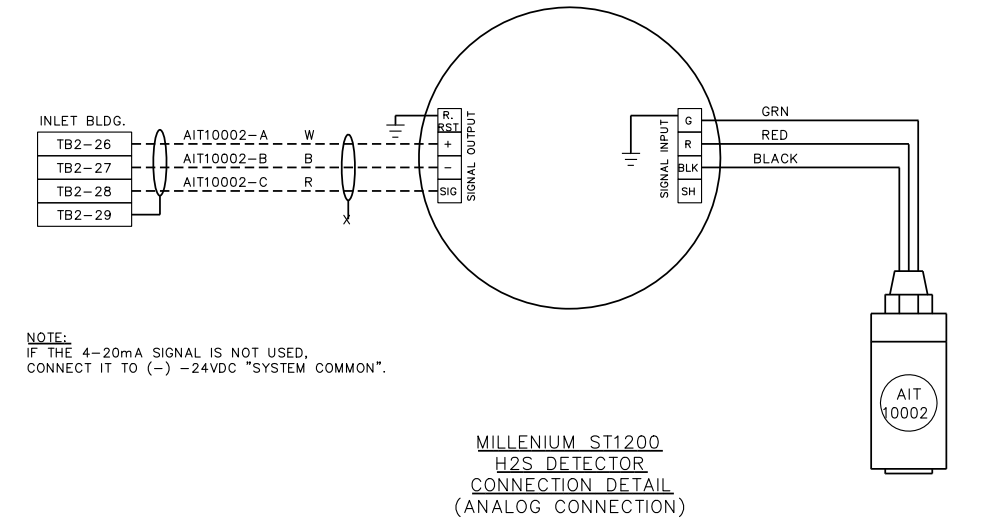
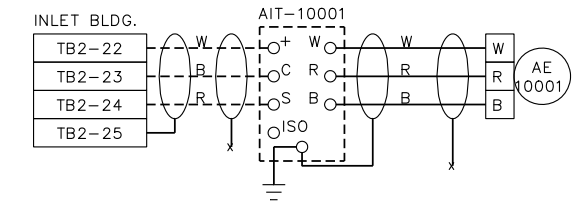
GENERAL NOTES:
1. "POST CONSTRUCTION DRAWINGS" ARE GENERATED FROM CONSTRUCTION CHANGE INFORMATION FORWARDED TO BOWEN DAMPFRIDER ROLETT ENGINEERING LTD. BY THE OWNER'S FIELD SUPERVISORS AND OWNED CONTRACTORS. ANY CHANGES NOT DOCUMENTED WILL NOT APPEAR ON THE DRAWINGS AND THEREFORE THE DRAWING MAY NOT BE AN ACCURATE REPRESENTATION OF THE CONSTRUCTED FACILITY.
2. PRIOR TO THE COMMENCEMENT OF ANY CONSTRUCTION AND OR ELEVATION IT SHALL BE THE RESPONSIBILITY OF THE OWNER'S REPRESENTATIVE TO VERIFY THE LOCATION AND STATUS OF ANY PIPING, ELECTRICAL EQUIPMENT OR BUILDINGS.
3. ANY REVISIONS MADE TO EXISTING EQUIPMENT, PIPING OR ELECTRICAL ON A FACILITY NOT DESIGNED BY B.D.P. ENG. LTD. IS ONLY SHOWN AS A REPRESENTATION OF WHAT EXISTS AND MUST BE VERIFIED BY THE OWNER.

DRN.	BY	DATE
CHK.	FC	04.01.12
APP'D.	BGO	04.02.27
L.S.D.	10-10-111-20W5	

Husky Oil Operations Limited		
EVERGREEN 10-10 BOOSTER COMPRESSOR STATION V-100 INLET BUILDING ELECTRICAL LAYOUT		
SCALE	DRAWING NUMBER	REV
1 : 20	D-33516-E-11-001	7



LEL CONNECTION DETAIL



NOTE 1: Field JB #2 should have shield wire changed from terminal 36 to terminal 37. (for proper function of the valve)
See photo #P6040047

NO.	REVISION	PROJ. No.	BY	DATE	CHK.	DATE
7	AS BUILT FOR EWR 13595 EXCELSIOR 2408	13595	AK	2010/07/13	PK	10.08.30
6	POST CONSTRUCTION REVISIONS	33516	PC	04.04.13	BGO	04.04.13
5	GENERAL REVISIONS	33516	FC	04.02.27	BGO	04.02.27
4	GENERAL REVISIONS	33516	FC	04.02.18	BGO	04.02.18
3	ISSUED FOR CONSTRUCTION	33516	FC	04.02.04	BGO	04.02.04
2	ISSUED FOR BID	33516	FC	04.01.28	BGO	04.01.28
1	ISSUED FOR APPROVAL	33516	FC	04.01.19	BGO	04.01.28
0	TRANSFERRED FROM PROJ. #12756	33516	FC	04.01.12	BGO	04.01.12

PERMIT STAMP:	STAMP APPLIED TO REV. 3 ONLY

GENERAL NOTES:	BY	DATE
1. "POST CONSTRUCTION DRAWINGS" ARE GENERATED FROM CONSTRUCTION CHANGE INFORMATION FORWARDED TO BOMER DAMBERGER ROSETH ENGINEERING LTD. BY THE OWNER'S FIELD SUPERVISOR AND/OR SUB-CONTRACTORS. ANY CHANGES NOT DOCUMENTED WILL NOT APPEAR ON THE DRAWINGS AND THEREFORE THE DRAWINGS MAY NOT BE AN ACCURATE REPRESENTATION OF THE CONSTRUCTED FACILITY.	DRN.	FC 04.01.27
2. PRIOR TO THE COMMENCEMENT OF ANY CONSTRUCTION AND/OR EXCAVATION IT SHALL BE THE RESPONSIBILITY OF THE OWNER'S REPRESENTATIVE TO VERIFY THE LOCATION AND STATUS OF ANY PIPING, ELECTRICAL, EQUIPMENT OR BUILDINGS.	CHK.	BGO 04.02.27
3. ANY REVISIONS MADE TO EXISTING EQUIPMENT, PIPING OR ELECTRICAL ON A FACILITY NOT DESIGNED BY B.O.E. ENG. LTD. IS ONLY SHOWN AS A REPRESENTATION OF WHAT EXISTS AND MUST BE VERIFIED BY THE OWNER.	APP'D.	
	L.S.D.	10-10-111-20W5

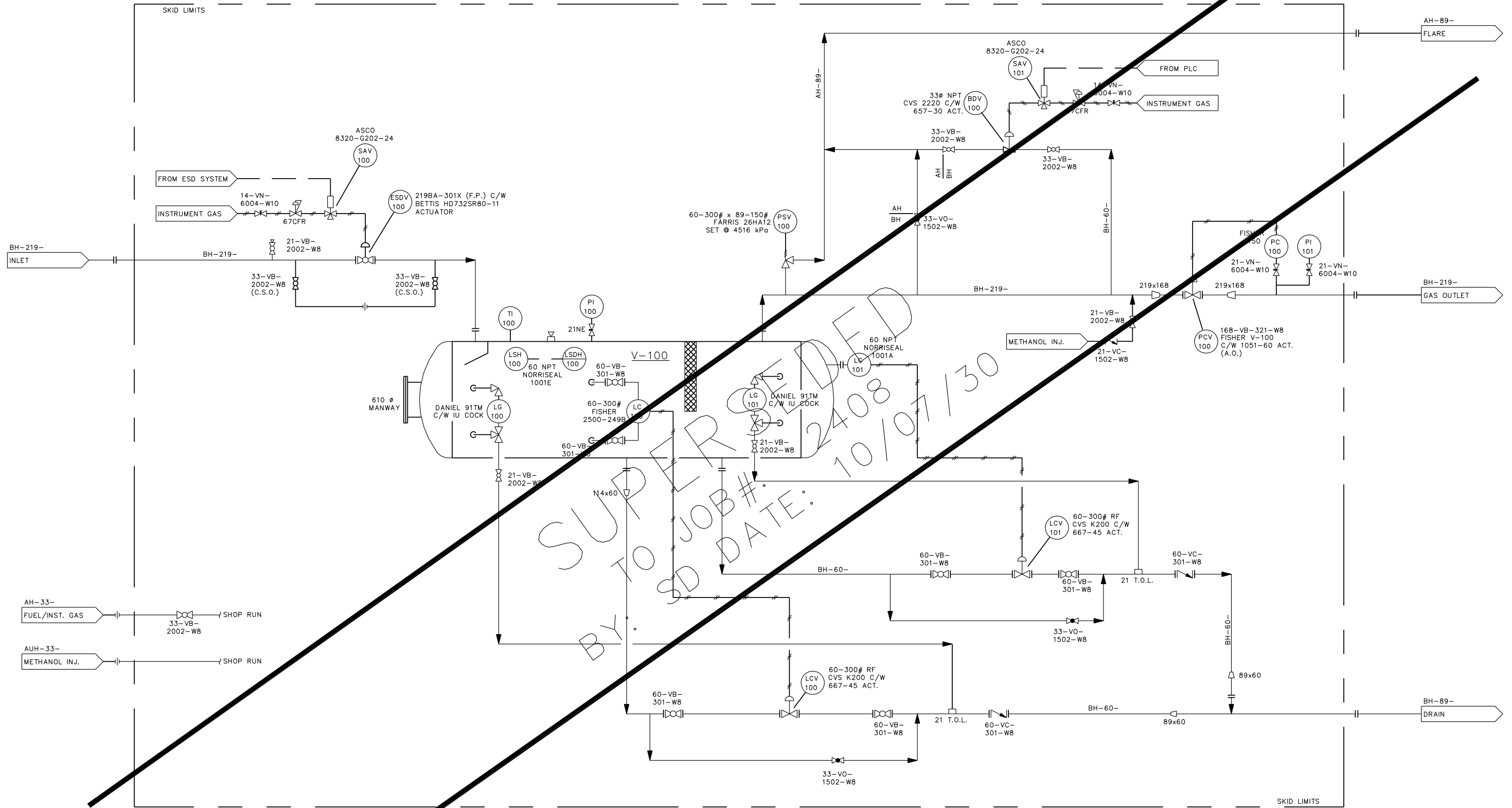
SCALE	DRAWING NUMBER	REV
N/A	D-33516-E-11-002	7

Husky Oil Operations Limited

EVERGREEN 10-10 BOOSTER COMPRESSOR STATION
V-100 INLET BUILDING JUNCTION BOX DETAILS

10-10-111-20W5-EL-0007-02

V-100
INLET SEPARATOR
 1524mm O.D. x 7620mm S/S
 DESIGN : 5102 KP @ -29/38' C



NO.	REVISION	PROJ. No.	BY	DATE	CHK.	DATE
1	AS BUILT FOR EWR 13595 EXCELSIOR 2408			2010/07/13		
0	ISSUED FOR CONSTRUCTION	33516	SW	03.12.		

GENERAL NOTES:

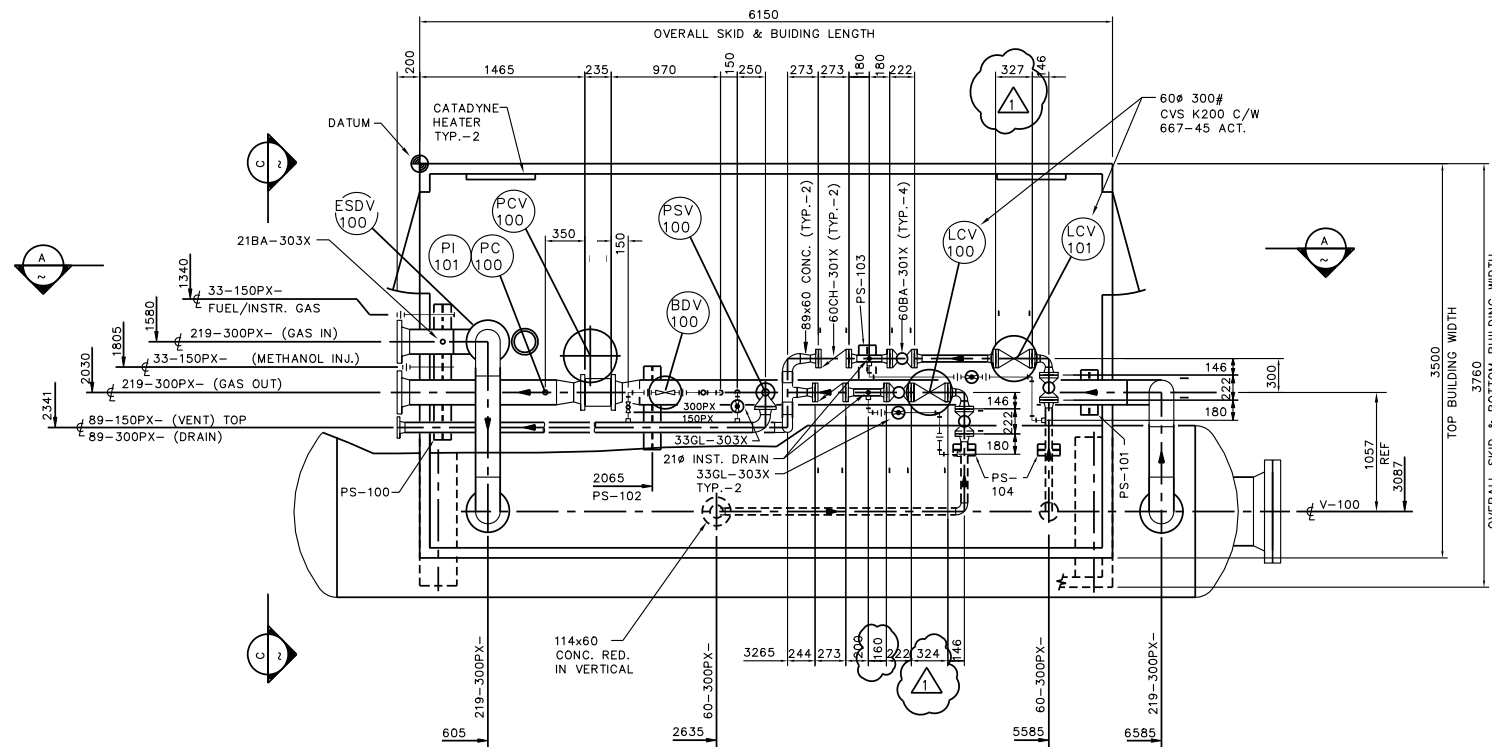
- "POST CONSTRUCTION DRAWINGS" ARE GENERATED FROM CONSTRUCTION CHANGE INFORMATION FORWARDED TO BOWEN DAMBERGER ROLSETH ENGINEERING LTD. BY THE OWNER'S FIELD SUPERVISORS AND OR HIRED CONTRACTORS. ANY CHANGES NOT DOCUMENTED WILL NOT APPEAR ON THE DRAWINGS AND THEREFORE THE DRAWING MAY NOT BE AN ACCURATE REPRESENTATION OF THE CONSTRUCTED FACILITY.
- PRIOR TO THE COMMENCEMENT OF ANY CONSTRUCTION AND OR EXCAVATION IT SHALL BE THE RESPONSIBILITY OF THE OWNER'S REPRESENTATIVE TO VERIFY THE LOCATION AND STATUS OF ANY PIPING, ELECTRICAL, EQUIPMENT OR BUILDINGS.
- ANY REVISIONS MADE TO EXISTING EQUIPMENT, PIPING OR ELECTRICAL ON A FACILITY NOT DESIGNED BY B.D.R. ENG. LTD. IS ONLY SHOWN AS A REPRESENTATION OF WHAT EXISTS AND MUST BE VERIFIED BY THE OWNER.

	BY	DATE
DRN.	SW	03.12.17
CHK.		
APP'D.		
L.S.D.	10-10-111-20W5	

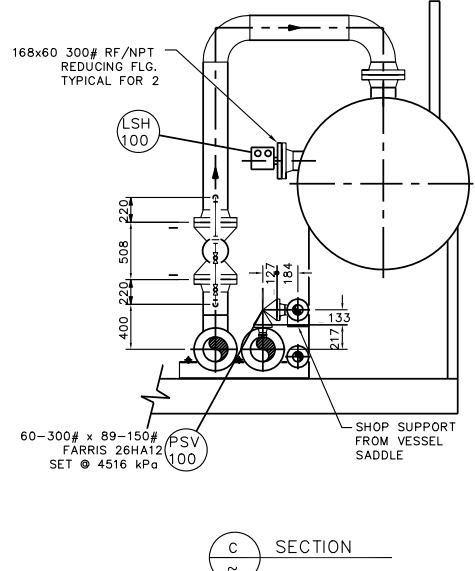
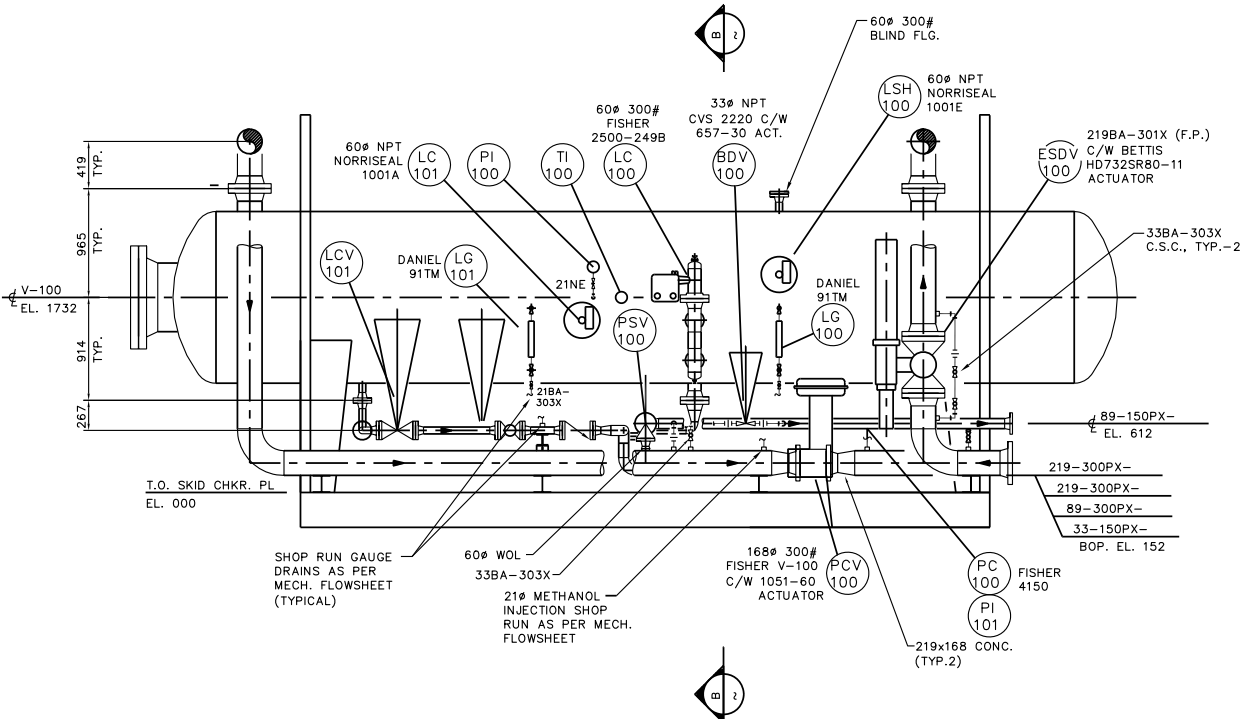
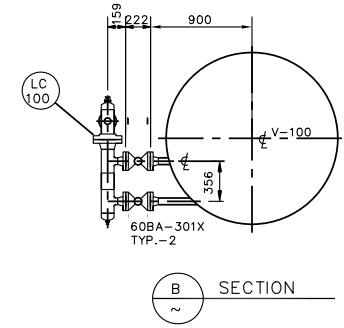
Husky Oil Operations Limited

EVERGREEN
 INLET SKID MECHANICAL FLOWSHEET

SCALE	DRAWING NUMBER	REV
N/A	B-33516-F-01-01	1



PLAN



GENERAL NOTES

- THE MANUFACTURER IS TO SUPPLY THE FOLLOWING :
 - PIPE, FITTINGS, STUDS, NUTS, GASKETS, CLAMPS, PIPE SUPPORTS, STAINLESS STEEL TUBING, AND TUBE FITTINGS.
 - INSTRUMENTATION, TUBING & TUBE FITTINGS
 - ALL INSTRUMENTATION TUBING IS TO BE SWAGelok STAINLESS STEEL. EACH INSTRUMENT SHALL HAVE A VALVED TAKE-OFF FROM THE SUPPLY HEADER AND WILL BE COMPLETE WITH ARMOUR CHANNEL TO ITS LOCATION.
- HUSKY SHALL SUPPLY THE FOLLOWING FOR INSTALLATION BY THE SKID MANUFACTURER :
 - ONE (1) INLET SEPARATOR TAGGED V-100
 - ALL INSTRUMENTATION AS DESCRIBED ON THE DRAWINGS AND PURCHASE ORDERS.
 - TWO (2) 22,500 BTU CATADYNE GAS BUILDING HEATER

VALVES

 - ALL VALVES ARE TO BE STANDARD TRIM THE FOLLOWING MAKES BEING ACCEPTABLE :
 - BALL VALVES - KF
 - CHECK VALVES - NUTRON (THREADED VALVES ONLY)
 - GLOBE & GATE VALVES - KF
 - KINKA

VALVE DESIGNATIONS

 - 151X, 152X AND 153X ARE TO BE SUITABLE FOR 150# ANSI
 - 301X, 302X AND 303X ARE TO BE SUITABLE FOR 300# ANSI
- MATERIALS OF CONSTRUCTION
 - PIPE - ALL WELDED PIPE 60# AND LARGER TO BE A-106-B, SCH. 40 FOR 150# & 300# ANSI SERVICE.
 - ALL SCREWED PIPE 60# AND SMALLER TO BE A-106-B, SCH. 80 FOR 150#, AND 300# ANSI SERVICE.
 - ALL PIPE NIPPLES TO BE SCH. 80

WELD FITTINGS - A234 GR. WPB

FLANGES - A-105

SCREWED FITTINGS - A-105, 3000# F.S.

STUDS AND NUTS - A-193-B7, A-194-2H

GASKETS - 3mm THK. FLEXITALLIC, T304SS (OR EQUAL)
- TESTING
 - ALL LINES TO HAVE A RANDOM 10% RADIOGRAPHIC INSPECTION OF ALL WELDED PIPE JOINTS.
 - ALL LINES TO BE HYDRO TESTED TO 1.5 TIMES THE FLANGE RATING.
- APPLICABLE CODES
 - PIPING - ANSI B31.3
 - VESSELS - ASME SEC. VIII, DIV. 1 (LATEST REVISION)
- SURFACE PREPARATION
 - SKIDS AND SUPPORTS - MECHANICAL CLEAN TO SSPC-SP2
 - PRIME WITH 1 s/c RUSTEX PRIMER
 - FINISH WITH 1 s/c CLOVERDALE 74 INDUSTRIAL OR III MARINE ENAMEL (COLORS AS PER HUSKY'S SPECIFICATIONS)
 - PIPING AND OTHER EQUIPMENT - COMMERCIAL SANDBLAST TO SSPC-SP6
 - PRIME WITH 1 s/c RUSTEX 71029
 - FINISH WITH 1 s/c CLOVERDALE 74 INDUSTRIAL OR III MARINE ENAMEL (COLORS AS PER HUSKY'S SPECIFICATIONS)
- ALL OPEN ENDS OF PIPE TO BE COVERED FOR SHIPPING. SKID MANUFACTURER SHALL LOAD SKID PACKAGE ON A HUSKY SUPPLIED TRUCK.
- ALL LINES ARE TO BE ADEQUATELY SUPPORTED, CLAMPED AND SHIMMED.
- PIPING SHALL BE ADEQUATELY BRACED TO PREVENT SHIPPING DAMAGE, OR SHALL BE REMOVED FOR REASSEMBLY ON SITE BY OTHERS.
- PIPE SUPPORT LOCATIONS ARE SHOWN ON THE PIPING PLAN AND SECTIONS. THE SKID MANUFACTURER IS TO VERIFY PIPE SUPPORT LOCATIONS PRIOR TO WELDING SUPPORTS TO THE SKID.
- ALL ITEMS SHALL BE REGISTERED FOR ALBERTA LOCATION 14-3-110-3 W6M.

GENERAL NOTES:

- "POST CONSTRUCTION" DRAWINGS ARE GENERATED FROM CONSTRUCTION CHANGE INFORMATION FORWARDED TO BOWER DAMBERGER ROLSETH ENGINEERING LTD. BY THE OWNER'S FIELD SUPERVISORS AND OR HIRED CONTRACTORS. ANY CHANGES NOT DOCUMENTED WILL NOT APPEAR ON THE DRAWINGS AND THEREFORE THE DRAWING MAY NOT BE AN ACCURATE REPRESENTATION OF THE CONSTRUCTED FACILITY.
- PRIOR TO THE COMMENCEMENT OF ANY CONSTRUCTION AND OR EXCAVATION IT SHALL BE THE RESPONSIBILITY OF THE OWNER'S REPRESENTATIVE TO VERIFY THE LOCATION AND STATUS OF ANY PIPING, ELECTRICAL, EQUIPMENT OR BUILDINGS.
- ANY REVISIONS MADE TO EXISTING EQUIPMENT, PIPING, OR ELECTRICAL ON A FACILITY NOT DESIGNED BY B.D.R. ENG. LTD. IS ONLY SHOWN AS A REPRESENTATION OF WHAT EXISTS AND MUST BE VERIFIED BY THE OWNER.

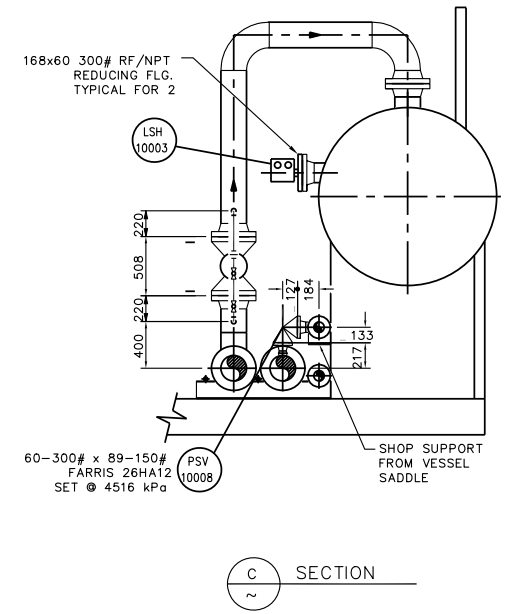
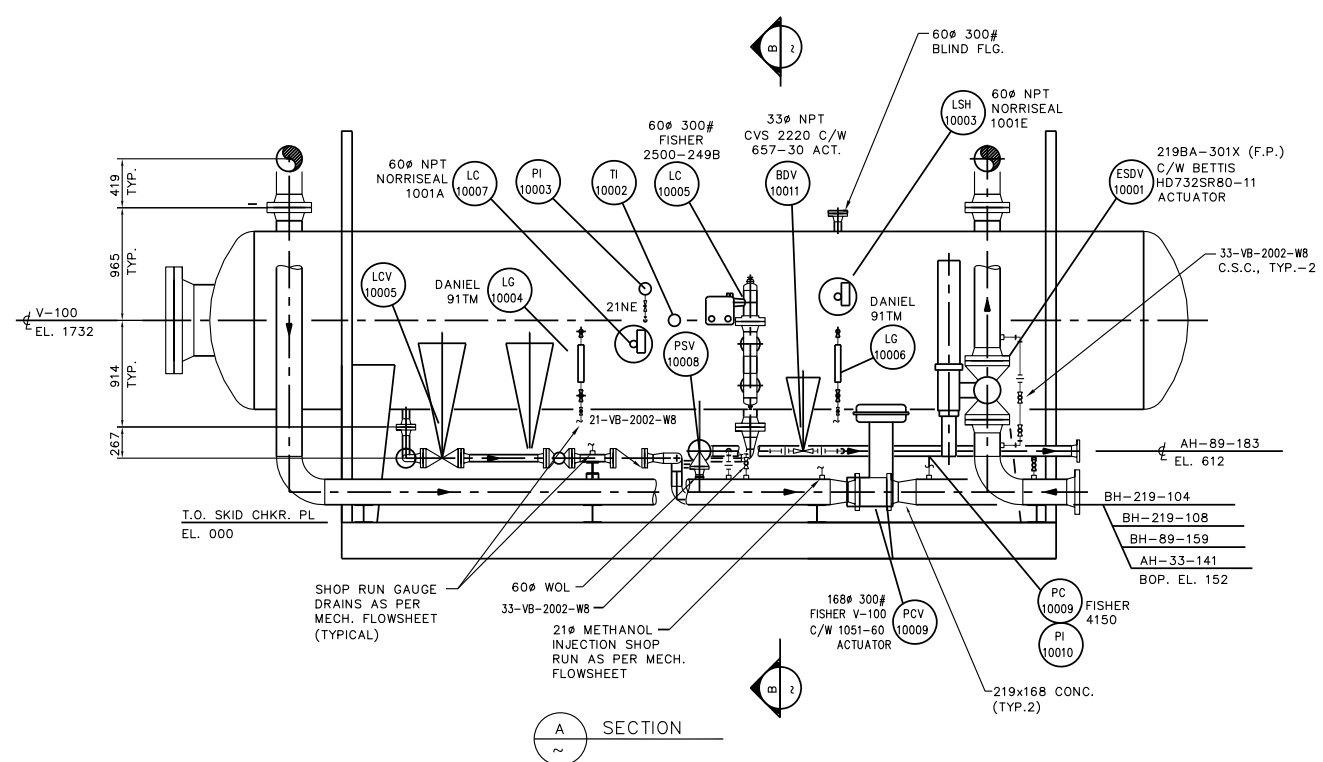
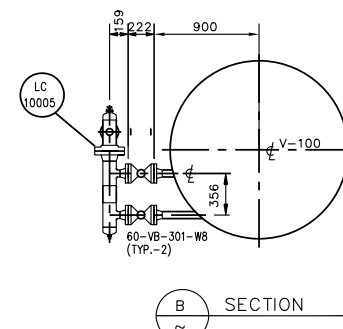
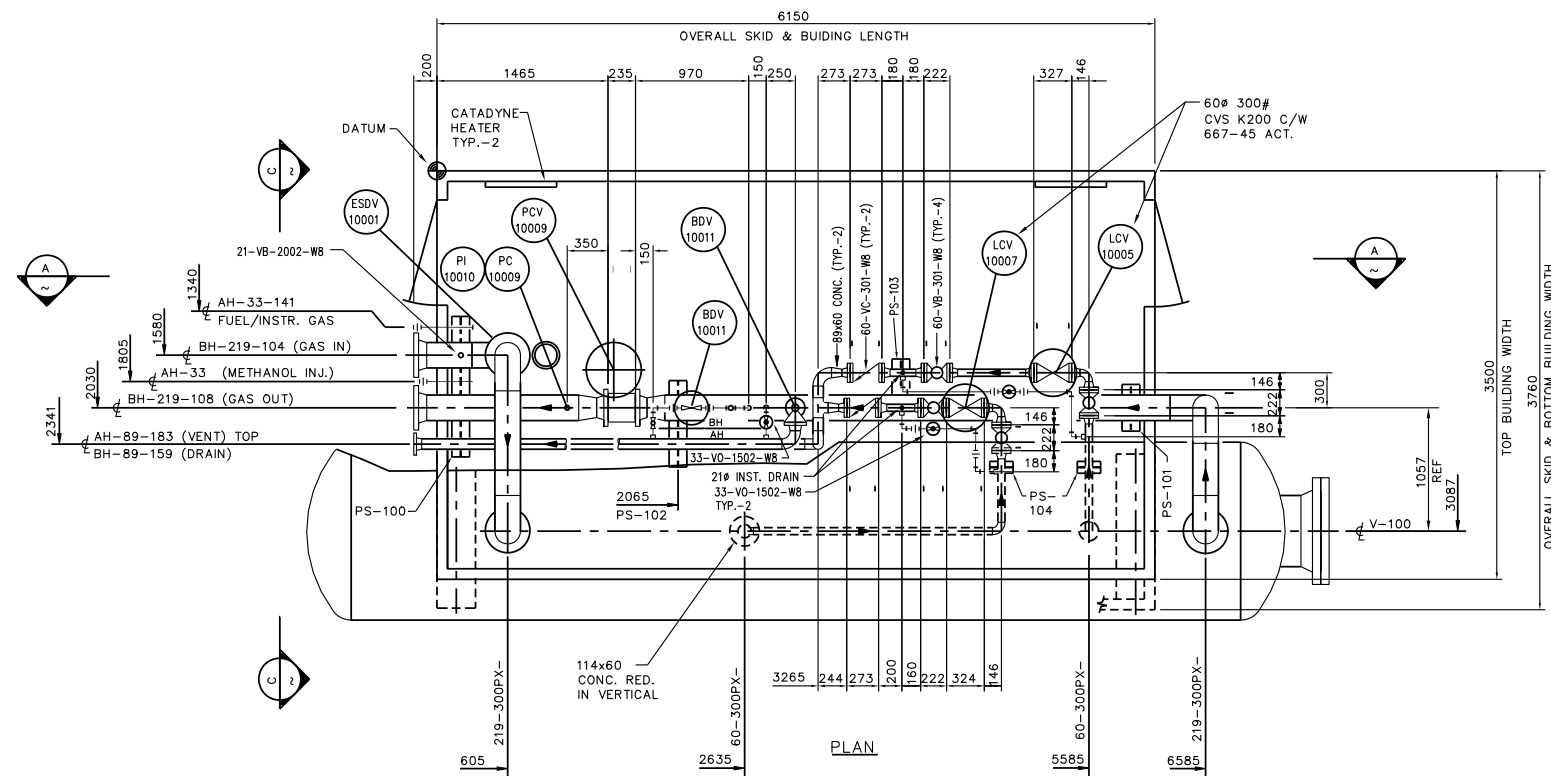
REF DWG NO	REFERENCE DRAWING DESCRIPTION	NO	REVISION HISTORY	REV AUTHOR	REV DATE	ISSUED FOR	NO	CURRENT REVISION	ISSUED FOR
		0	ISSUED FOR CONSTRUCTION	EPC_BDR	2002/01/23	CONSTRUCTION	03	EQUIPMENT MOVED FROM ASSUMPTION 14-03-110-03W6 TO EVERGREEN 10-10	DOC DATE 2006-09-19
		1	REVISED LCV-100/101	EPC_BDR	2002/03/04				DOC AUTHOR EPC_BDR
		2	POST CONSTRUCTION REVISION	EPC_BDR	2002/05/22	CONSTRUCTION			SCALE 1:30
		3							ALTERNATE IDENTIFIER D-12756-P-01-01
		4							SURFACE LSO 10-10-111-20W5
		5							DOCUMENT IDENTIFIER PM-0001
		6							

Husky Energy

Evergreen North Booster 10-10-111-20W5

INLET BUILDING
PIPING DETAILS

CAD DRAWING: DO NOT CHANGE MANUALLY



GENERAL NOTES

1. THE MANUFACTURER IS TO SUPPLY THE FOLLOWING :
 - PIPE, FITTINGS, STUDS, NUTS, GASKETS, CLAMPS, PIPE SUPPORTS, STAINLESS STEEL TUBING, AND TUBE FITTINGS.

INSTRUMENTATION, TUBING & TUBE FITTINGS

 - ALL INSTRUMENTATION TUBING IS TO BE SWAGelok STAINLESS STEEL. EACH INSTRUMENT SHALL HAVE A VALVED TAKE-OFF FROM THE SUPPLY HEADER AND WILL BE COMPLETE WITH ARMOUR CHANNEL TO ITS LOCATION.

2. HUSKY SHALL SUPPLY THE FOLLOWING FOR INSTALLATION BY THE SKID MANUFACTURER :
 - ONE (1) INLET SEPARATOR TAGGED V-100
 - ALL INSTRUMENTATION AS DESCRIBED ON THE DRAWINGS AND PURCHASE ORDERS.
 - TWO (2) 22,500 BTU CATADYNE GAS BUILDING HEATER

VALVES

 - ALL VALVES ARE TO BE STANDARD TRIM THE FOLLOWING MAKES BEING ACCEPTABLE :
 - BALL VALVES - KF
 - NUTRON (THREADED VALVES ONLY)
 - CHECK VALVES - KF
 - GLOBE & GATE VALVES - KINKA

- VALVE DESIGNATIONS**
- 151X, 152X AND 153X ARE TO BE SUITABLE FOR 150# ANSI
 - 301X, 302X AND 303X ARE TO BE SUITABLE FOR 300# ANSI

3. **MATERIALS OF CONSTRUCTION**
 - PIPE - ALL WELDED PIPE 60# AND LARGER TO BE A-106-B, SCH. 40 FOR 150# & 300# ANSI SERVICE.
 - ALL SCREWED PIPE 60# AND SMALLER TO BE A-106-B, SCH. 80 FOR 150#, AND 300# ANSI SERVICE.
 - ALL PIPE NIPPLES TO BE SCH. 80

- WELD FITTINGS** - A234 GR. WPB
FLANGES - A-105
SCREWED FITTINGS - A-105, 3000# F.S.
STUDS AND NUTS - A-193-B7, A-194-2H
GASKETS - 3mm THK. FLEXITALLIC, T304SS (OR EQUAL)

4. **TESTING**
 - ALL LINES TO HAVE A RANDOM 10% RADIOGRAPHIC INSPECTION OF ALL WELDED PIPE JOINTS.
 - ALL LINES TO BE HYDRO TESTED TO 1.5 TIMES THE FLANGE RATING.

5. **APPLICABLE CODES**
 - PIPING - ANSI B31.3
 - VESSELS - ASME SEC. VIII, DIV. I (LATEST REVISION)

6. **SURFACE PREPARATION**
 - SKIDS AND SUPPORTS
 - MECHANICAL CLEAN TO SSPC-SP2
 - PRIME WITH 1 s/c RUSTEX PRIMER
 - FINISH WITH 1 s/c CLOVERDALE 74 INDUSTRIAL OR III MARINE ENAMEL (COLORS AS PER HUSKY'S SPECIFICATIONS)
 - PIPING AND OTHER EQUIPMENT
 - COMMERCIAL SANDBLAST TO SSPC-SP6
 - PRIME WITH 1 s/c RUSTEX 71029
 - FINISH WITH 1 s/c CLOVERDALE 74 INDUSTRIAL OR III MARINE ENAMEL (COLORS AS PER HUSKY'S SPECIFICATIONS)

7. ALL OPEN ENDS OF PIPE TO BE COVERED FOR SHIPPING. SKID MANUFACTURER SHALL LOAD SKID PACKAGE ON A HUSKY SUPPLIED TRUCK.

8. ALL LINES ARE TO BE ADEQUATELY SUPPORTED, CLAMPED AND SHIMMED.

9. PIPING SHALL BE ADEQUATELY BRACED TO PREVENT SHIPPING DAMAGE, OR SHALL BE REMOVED FOR REASSEMBLY ON SITE BY OTHERS.

10. PIPE SUPPORT LOCATIONS ARE SHOWN ON THE PIPING PLAN AND SECTIONS. THE SKID MANUFACTURER IS TO VERIFY PIPE SUPPORT LOCATIONS PRIOR TO WELDING SUPPORTS TO THE SKID.

11. ALL ITEMS SHALL BE REGISTERED FOR ALBERTA LOCATION 10-10-111-20 WSM.

NO.	REVISION	PROJ. No.	BY	DATE	CHK.	DATE
3	MOVED FROM ASSUMPTION GAS PLANT	33516	SW	04.01.07	RDB	04.01.27

PERMIT STAMP:			
NO.	REVISION	PROJ. No.	DATE

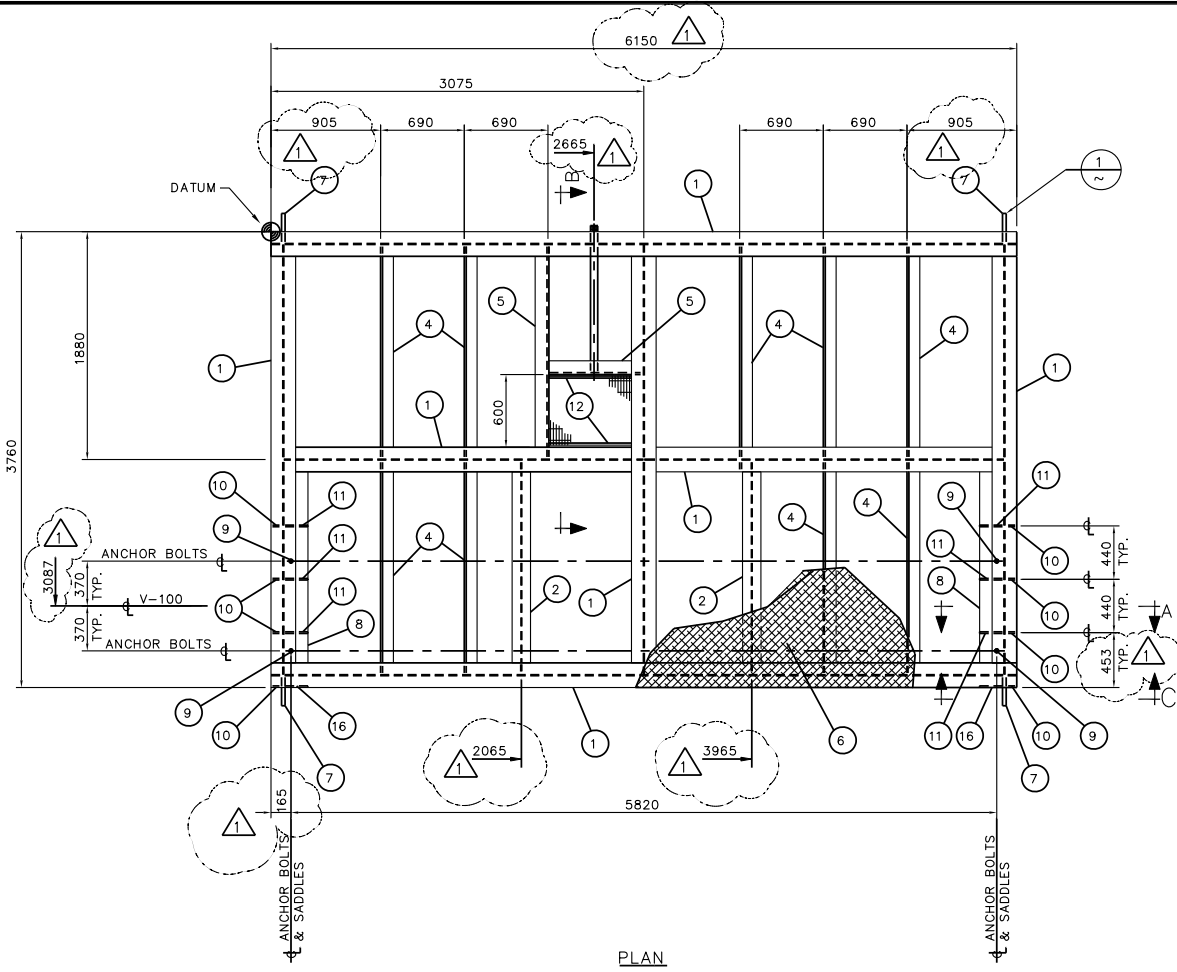
GENERAL NOTES:

1. "POST CONSTRUCTION DRAWINGS" ARE GENERATED FROM CONSTRUCTION CHANGE INFORMATION FORWARDED TO BOWER DAMBERGER ROLSETH ENGINEERING LTD. BY THE OWNER'S FIELD SUPERVISORS AND/OR SUBCONTRACTORS. ANY CHANGES NOT DOCUMENTED WILL NOT APPEAR ON THE DRAWINGS AND THEREFORE THE DRAWING MAY NOT BE AN ACCURATE REPRESENTATION OF THE CONSTRUCTED FACILITY.
2. PRIOR TO THE COMMENCEMENT OF ANY CONSTRUCTION AND/OR ERECTION IT SHALL BE THE RESPONSIBILITY OF THE OWNER REPRESENTATIVE TO VERIFY THE LOCATION AND STATUS OF ANY PIPING, ELECTRICAL EQUIPMENT OR BUILDINGS.
3. ANY REVISIONS MADE TO EXISTING EQUIPMENT, PIPING OR ELECTRICAL ON A FACILITY NOT DESIGNED BY BDR ENGINEERING LTD. IS ONLY SHOWN AS A REPRESENTATION OF WHAT EXISTS AND MUST BE VERIFIED BY THE OWNER.

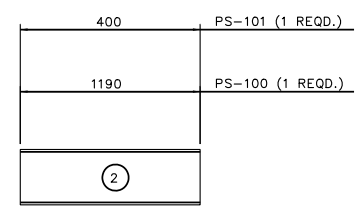
BY	DATE
DRN. ASA	02.01.16
CHK. RDB	02.01.23
APP'D.	
L.S.D.	10-10-111-20W5



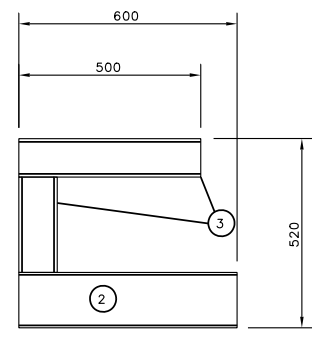
HUSKY OIL OPERATIONS LIMITED		
EVERGREEN 10-10 BOOSTER COMPRESSOR STATION INLET SKID PIPING		
SCALE	DRAWING NUMBER	REV
1:30	D-33516-P-01-01	3



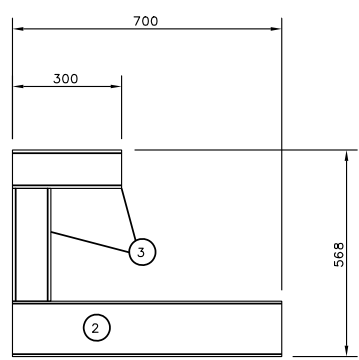
PLAN



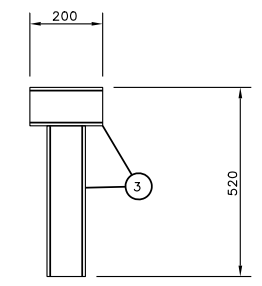
PS-100 & PS-101
NTS



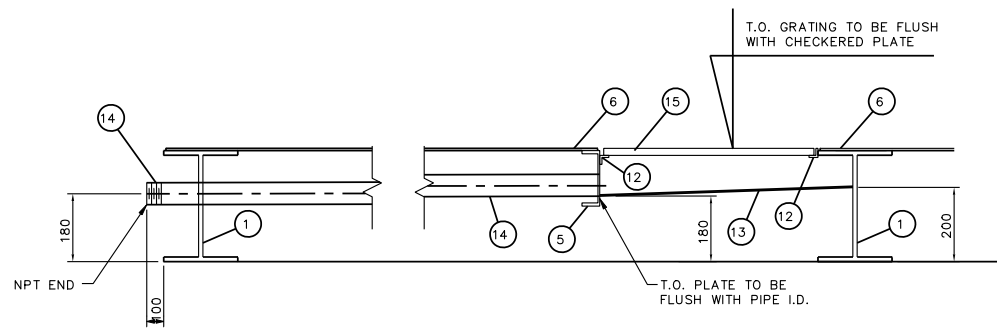
PS-103
SCALE: 1:10
(1 REQD.)



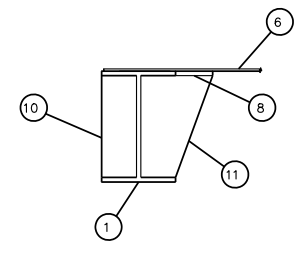
PS-102
SCALE: 1:10
(1 REQD.)



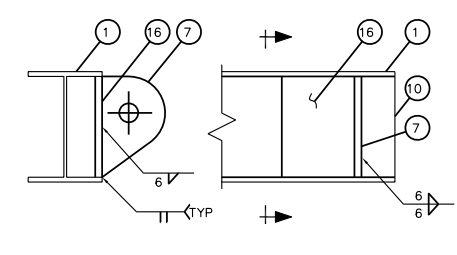
PS-104
SCALE: 1:10
(2 REQD.)



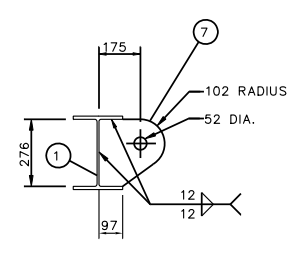
B SECTION
FLOOR DRAIN
1:10



A SECTION
STIFFNER DETAIL
TYPICAL FOR 6 PLACES
1:10



C SECTION
STIFFNER DETAIL
TYPICAL FOR 2 PLACES
1:10



1 DETAIL
LIFTING LUG
(TYP. 2)

BILL OF MATERIAL				
ITEM	QTY.	DESCRIPTION		
1	29.1m	W 310 x 60		G40.21-44W
2	6.5m	W 150 x 22		G40.21-44W
3	3.1m	W 100 x 19		G40.21-44W
4	16.0m	L 75 x 75 x 6		G40.21-44W
5	2.6m	C 150 x 12		G40.21-44W
6	23.2m ²	CHECKERED PLATE 6mm THK.		A-36
7	4	PLATE 276 x 277 x 19mm THK. CUT TO SUIT		A-36
8	3.2m	102 X 13mm THK. FLAT BAR		A-36
9	4	MACH. BOLT 1"Ø x 4" LG. c/w WASHER & 2 HEX. NUTS EACH		GRADE 8
10	8	PLATE 97 x 277 x 19mm THK.		A-36
11	6	PLATE 197 x 277 x 19mm THK. (CUT TO SUIT)		A-36
12	1.4m	L 25 x 25 x 5		G40.21-44W
13	1	PLATE 786 x 698 x 6mm THK.		A-36
14	1.3m	60Ø SCH. 80 PIPE		A-106-B
15	1	GRATING, W102-30 - 19x4.8, 583 x 676		A-36
16	2	PLATE 197 x 277 x 19mm THK. (CUT TO SUIT)		A-36

NOTES

- ALL WELDS TO BE 6mm CONTINUOUS FILLETS UNLESS NOTED OTHERWISE.
- ALL JOINING MEMBERS TO BE COPED.
- ALL CHECKERED PLATE JOINTS TO BE MADE ON SUPPORTING MEMBERS AND JOINED WITH CONTINUOUS FULL PENETRATION WELDS.
- CHECKERED PLATE TO BE STITCH WELDED ON UNDERSIDE OF SKID (50-150 CENTRES) TO SUPPORTING MEMBERS AND AROUND THE SKID PERIMETER.
- ALL PIPE SUPPORTS TO BE WELDED DIRECTLY TO CHECKERED PLATE AFTER PIPING IS IN PLACE.
- CLEANING: SSPC-SP2 HAND TOOL CLEANING
PRIME: 1 S/C RUSTEX 71029 PRIMER
PAINT: SKID STEEL & CHKR'D PLATE: 1 S/C WARM GREY (F-34)
PIPE SUPPORTS & OTHER STEEL: 1 S/C GLOSS BLACK (J-5)
- ALL GRATING TO BE BANDED AROUND PERIMETER.
- SKID MANUFACTURER TO SPRAY ON 51mm OF INSULATION TO UNDERSIDE OF SKID.

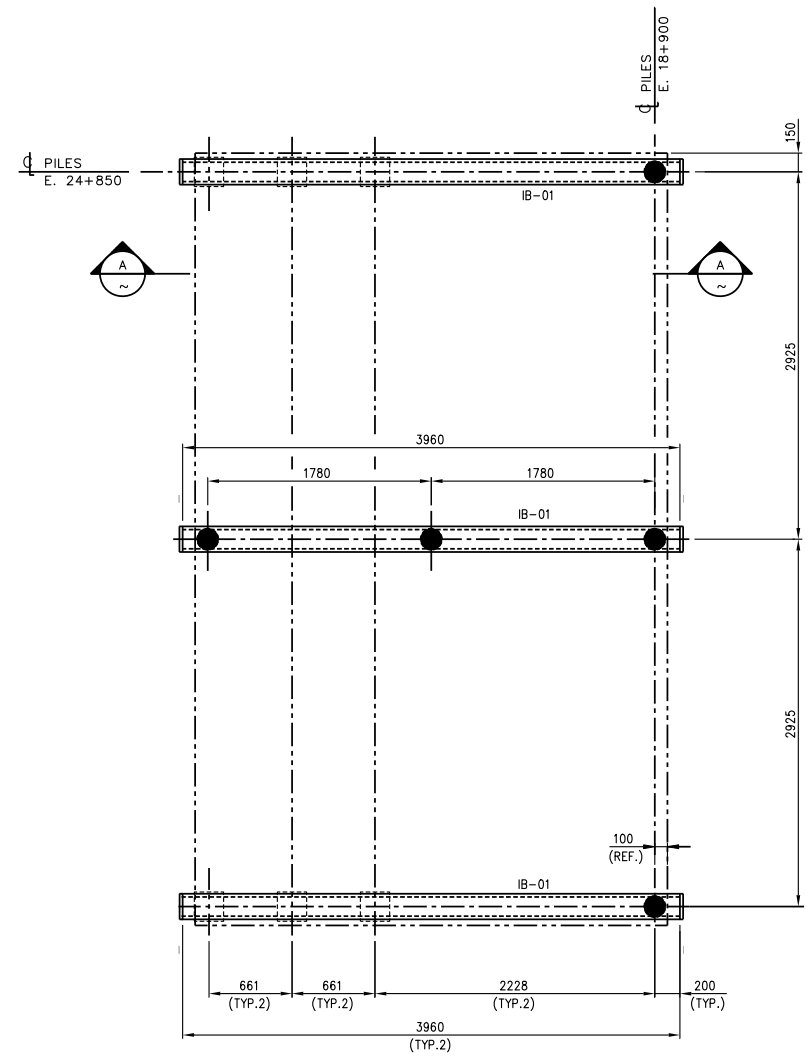
REF DWG NO	REFERENCE DRAWING DESCRIPTION	NO	REVISION HISTORY	REV AUTHOR	REV DATE	ISSUED FOR	NO	CURRENT REVISION	ISSUED FOR
		0	ISSUED FOR CONSTRUCTION	EPC_BDR	2002/01/21	CONSTRUCTION	1	EQUIPMENT MOVED FROM ASSUMPTION 14-03-110-03W6 TO EVERGREEN 10-10	DOC DATE 2006-09-19
		1	REVISED AS NOTED	EPC_BDR	2002/01/23				DOC AUTHOR EPC_BDR
		2							SCALE 1:30
		3							ALTERNATE IDENTIFIER D-12756-S-01-01
		4							SURFACE LSD
		5							10-10-111-20W5
		6							DOCUMENT IDENTIFIER SS-0001



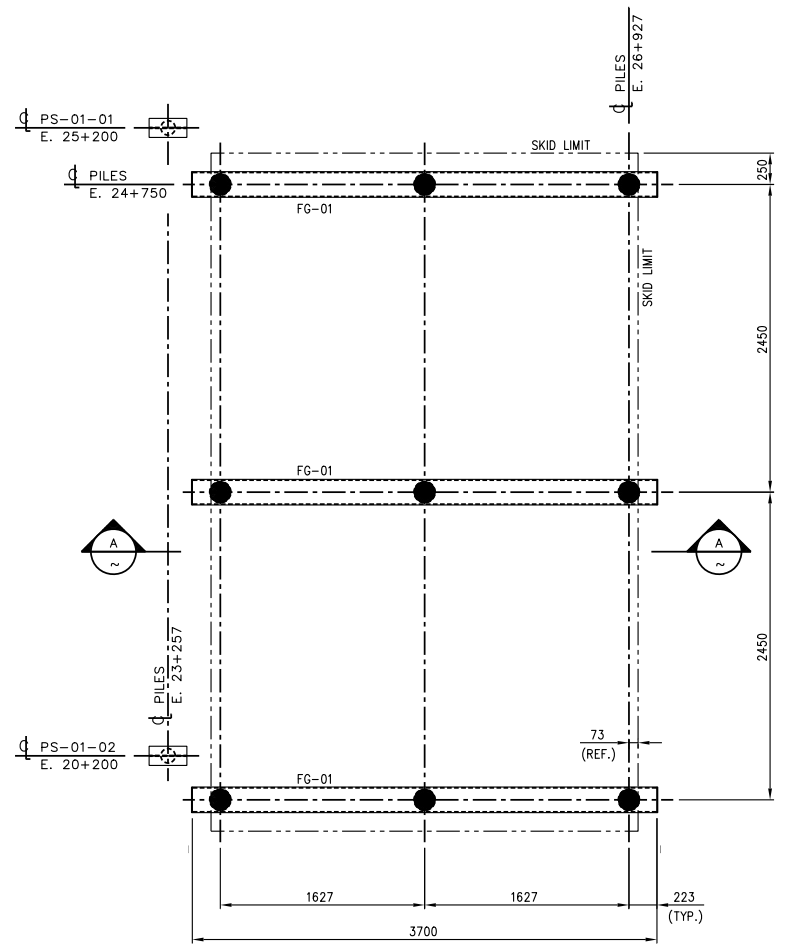
Evergreen North Booster 10-10-111-20W5

INLET BUILDING STRUCTURAL
STEEL SKID DETAILS

CAD DRAWING: DO NOT CHANGE MANUALLY

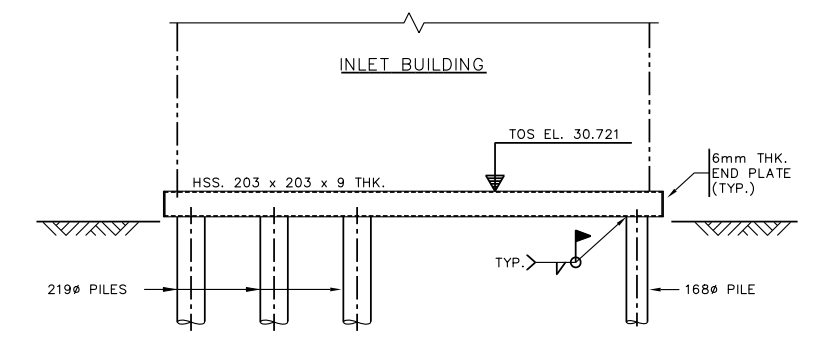


INLET SKID

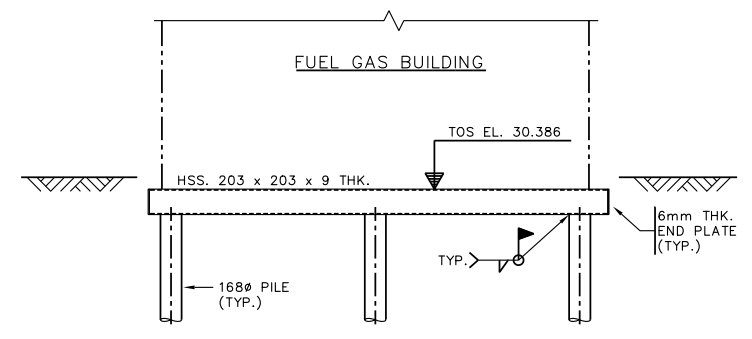


FUEL GAS SKID

PLAN



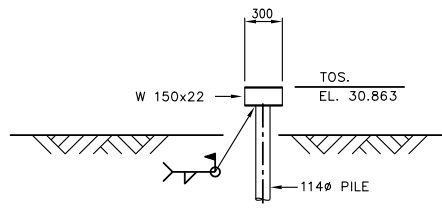
A SECTION



B SECTION

NOTES

1. THE SITE IS ASSUMED TO BE FLAT. THE MECHANICAL CONTRACTOR IS TO ESTABLISH A BENCHMARK SET AT 30+480 (GRADE). ELEVATIONS THEREAFTER ARE TO BE REFERENCED TO THE BENCH MARK.
2. ALL PILES SHALL BE DRIVEN TO DEPTH OR REFUSAL, WHICHEVER COMES FIRST. REFUSAL SHALL BE DEFINED AS THE POINT AT WHICH IT REQUIRES FIFTY(50) BLOWS WITH A 20 KILOJOULE (14,750 FT.LB) FORCE TO DRIVE THE PILE (305 mm, 1'-0")
3. STRUCTURAL CONTRACTOR TO SUPPLY STEEL PRE-CUT, CLEANED TO SSPC-SP2, PRIMED WITH 1 S/C CLOVERDALE, TAGGED AND CAPPED WITH 6mm THICK END PLATES WHERE APPLICABLE.
4. PILE CONTRACTOR TO LEAVE 600mm MINIMUM PILE PROJECTION FOR FINAL TRIMMING.
5. MECHANICAL CONTRACTOR TO TRIM PILES, POSITION STEEL AND ATTACH TO PILES WITH 6mm CONTINUOUS FILLET WELD.
6. TOTAL PILES THIS DRAWING:
 - : 219 DIA. (6 REQ'D.)
DRIVEN TO A MINIMUM DEPTH OF 8 METERS BELOW GRADE OR REFUSAL.
 - : 168 DIA. (14 REQ'D.)
DRIVEN TO A MINIMUM DEPTH OF 8 METERS BELOW GRADE OR REFUSAL.
 - : 114 DIA. (2 REQ'D.)
DRIVEN TO A MINIMUM DEPTH OF 8 METERS BELOW GRADE OR REFUSAL.



LOOKING NOTTH
PS-01-01/01-02
(2-REQ'D.)

NO.	REVISION	PROJ. No.	BY	DATE	CHK.	DATE
0	ISSUED FOR CONSTRUCTION	33516	SW	04.01.30	RDB	04.02.02

PERMIT STAMP:

GENERAL NOTES:	
1.	"POST CONSTRUCTION DRAWINGS" ARE GENERATED FROM CONSTRUCTION CHANGE INFORMATION FORWARDED TO BOWER DAMBERGER ROLSETH ENGINEERING LTD. BY THE OWNER'S FIELD SUPERVISORS AND/OR SUB-CONTRACTORS. ANY CHANGES NOT DOCUMENTED WILL NOT APPEAR ON THE DRAWINGS AND THEREFORE THE DRAWINGS MAY NOT BE AN ACCURATE REPRESENTATION OF THE CONSTRUCTED FACILITY.
2.	PRIOR TO THE COMMENCEMENT OF ANY CONSTRUCTION AND/OR EXCAVATION IT SHALL BE THE RESPONSIBILITY OF THE OWNER'S REPRESENTATIVE TO VERIFY THE LOCATION AND STATUS OF ANY PIPING, ELECTRICAL, EQUIPMENT OR BUILDINGS.
3.	ANY REVISIONS MADE TO EXISTING EQUIPMENT, PIPING OR ELECTRICAL ON A FACILITY NOT DESIGNED BY B.D.R. ENG. LTD. IS ONLY SHOWN AS A REPRESENTATION OF WHAT EXISTS AND MUST BE VERIFIED BY THE OWNER.

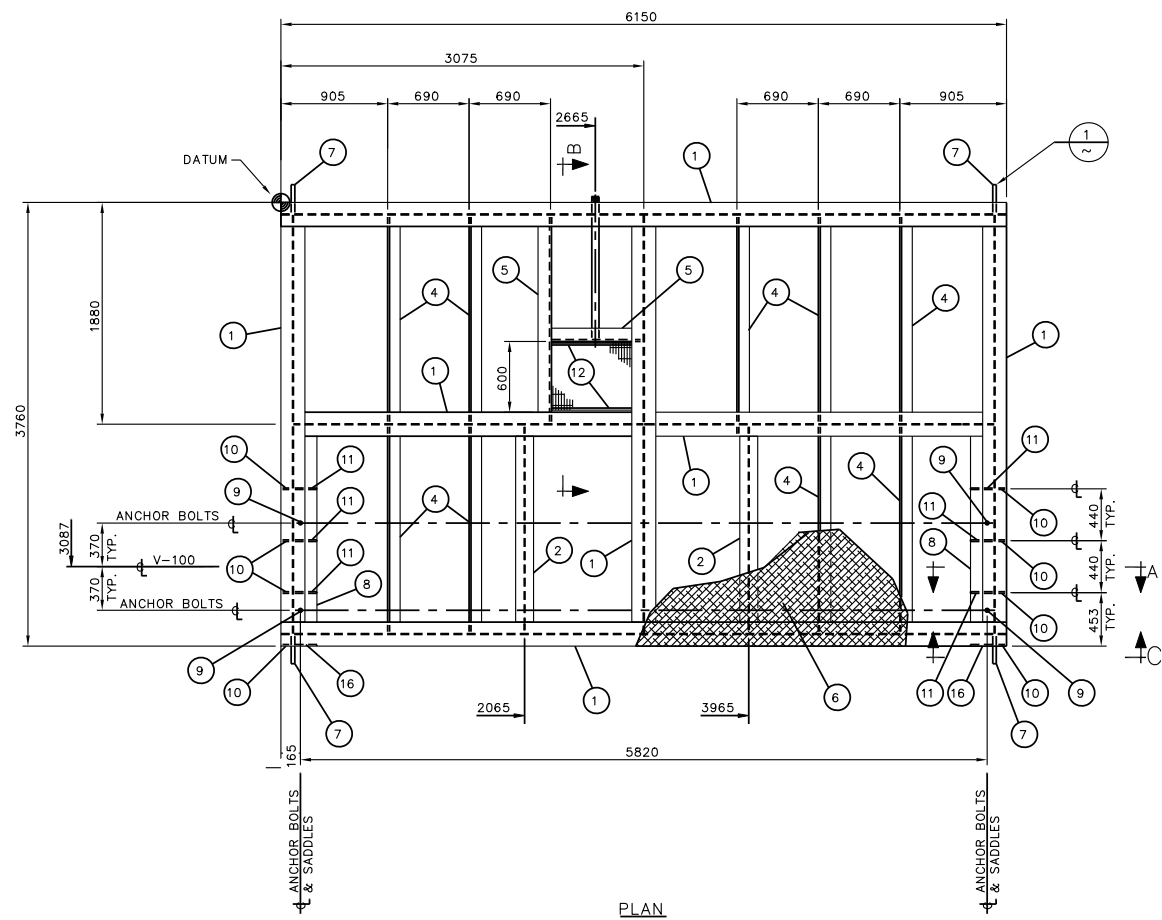
BY	DATE
DRN. SW	03.12.17
CHK. RDB	04.01.30
APP'D.	
L.S.D.	10-10-111-20W5

bdr
Bower Damberger Rolseth
Engineering Ltd.

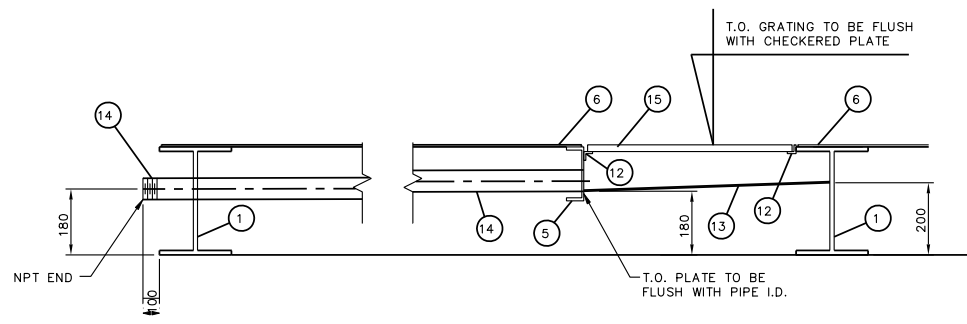
HUSKY OIL OPERATIONS LIMITED

EVERGREEN 10-10 BOOSTER COMPRESSOR STATION
INLET & FUEL GAS SKID FOUNDATION DETAILS

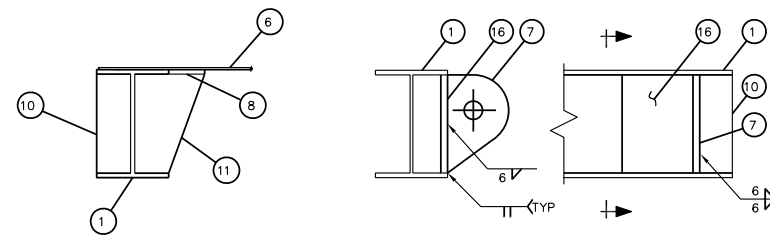
SCALE	DRAWING NUMBER	REV
1:30	D-33516-C-01-01	0



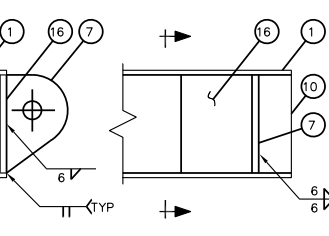
PLAN



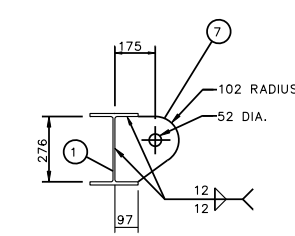
SECTION B
FLOOR DRAIN
1 : 10



SECTION A
STIFFENER DETAIL
TYPICAL FOR 6 PLACES
1 : 10

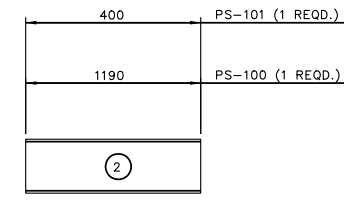


SECTION C
STIFFENER DETAIL
TYPICAL FOR 2 PLACES
1 : 10

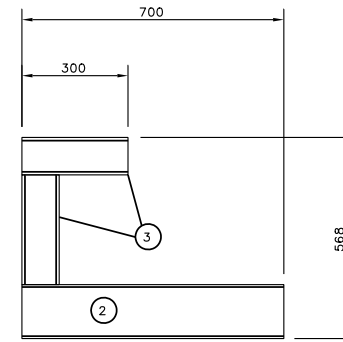


DETAIL 1
LIFTING LUG
(TYP. 2)

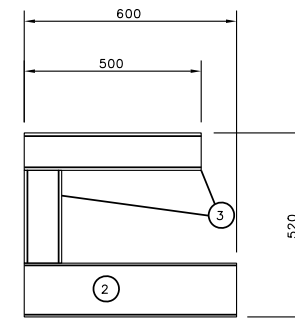
BILL OF MATERIAL		
ITEM	QTY.	DESCRIPTION
1	29.1m	W 310 x 60 G40.21-44W
2	6.5m	W 150 x 22 G40.21-44W
3	3.1m	W 100 x 19 G40.21-44W
4	16.0m	L 75 x 75 x 6 G40.21-44W
5	2.6m	C 150 x 12 G40.21-44W
6	23.2m ²	CHECKERED PLATE 6mm THK. A-36
7	4	PLATE 276 x 277 x 19mm THK. CUT TO SUIT A-36
8	3.2m	102 X 13mm THK. FLAT BAR A-36
9	4	MACH. BOLT 1"Ø x 4" LG. c/w WASHER & 2 HEX. NUTS EACH GRADE 8
10	8	PLATE 97 x 277 x 19mm THK. A-36
11	6	PLATE 197 x 277 x 19mm THK. (CUT TO SUIT) A-36
12	1.4m	L 25 x 25 x 5 G40.21-44W
13	1	PLATE 786 x 698 x 6mm THK. A-36
14	1.3m	60Ø SCH. 80 PIPE A-106-B
15	1	GRATING, W102-30 - 19x4.8, 583 x 676 A-36
16	2	PLATE 197 x 277 x 19mm THK. (CUT TO SUIT) A-36



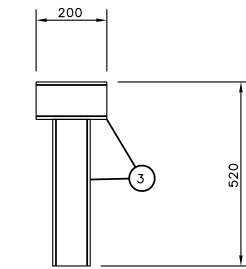
PS-100 & PS-101
NTS



PS-102
SCALE: 1:10
(1 REQD.)



PS-103
SCALE: 1:10
(1 REQD.)



PS-104
SCALE: 1:10
(2 REQD.)

NOTES

- ALL WELDS TO BE 6mm CONTINUOUS FILLETS UNLESS NOTED OTHERWISE.
- ALL JOINING MEMBERS TO BE COPED.
- ALL CHECKERED PLATE JOINTS TO BE MADE ON SUPPORTING MEMBERS AND JOINED WITH CONTINUOUS FULL PENETRATION WELDS.
- CHECKERED PLATE TO BE STITCH WELDED ON UNDERSIDE OF SKID (50-150 CENTRES) TO SUPPORTING MEMBERS AND AROUND THE SKID PERIMETER.
- ALL PIPE SUPPORTS TO BE WELDED DIRECTLY TO CHECKERED PLATE AFTER PIPING IS IN PLACE.
- CLEANING: SSPC-SP2 HAND TOOL CLEANING
PRIME: 1 S/C RUSTEX 71029 PRIMER
PAINT: SKID STEEL & CHKR'D PLATE: 1 S/C WARM GREY (F-34)
PIPE SUPPORTS & OTHER STEEL: 1 S/C GLOSS BLACK (J-5)
- ALL GRATING TO BE BANDED AROUND PERIMETER.
- SKID MANUFACTURER TO SPRAY ON 51mm OF INSULATION TO UNDERSIDE OF SKID.

NO.	REVISION	PROJ. No.	BY	DATE	CHK.	DATE
2	MOVED FROM ASSUMPTION GAS PLANT	33516	SW	04.01.07		

PERMIT STAMP:	

GENERAL NOTES:
1. "POST CONSTRUCTION DRAWINGS" ARE GENERATED FROM CONSTRUCTION CHANGE INFORMATION FORWARDED TO BOWER DAMBERGER ROLSETH ENGINEERING LTD. BY THE OWNER'S FIELD SUPERVISOR AND/OR SKID CONTRACTOR. ANY CHANGES NOT DOCUMENTED WILL NOT APPEAR ON THE DRAWINGS AND THEREFORE THE DRAWING MAY NOT BE AN ACCURATE REPRESENTATION OF THE CONSTRUCTED FACILITY.
2. PRIOR TO THE COMMENCEMENT OF ANY CONSTRUCTION AND/OR ERECTION IT SHALL BE THE RESPONSIBILITY OF THE OWNER'S REPRESENTATIVE TO VERIFY THE LOCATION AND STATUS OF ANY PIPING, ELECTRICAL EQUIPMENT OR BUILDINGS.
3. ANY REVISIONS MADE TO EXISTING EQUIPMENT, PIPING OR ELECTRICAL ON A FACILITY NOT DESIGNED BY BDR ENGINEERING LTD. IS ONLY SHOWN AS A REPRESENTATION OF WHAT EXISTS AND MUST BE VERIFIED BY THE OWNER.

BY	DATE
DRN. ASA	02.01.18
CHK. RDB	02.01.23
APP'D.	
L.S.D.	10-10-111-20W5



HUSKY OIL OPERATIONS LIMITED		
EVERGREEN 10-10 BOOSTER COMPRESSOR STATION INLET SKID STRUCTURAL STEEL DETAILS		
SCALE	DRAWING NUMBER	REV
1:30	D-33516-S-01-01	2