

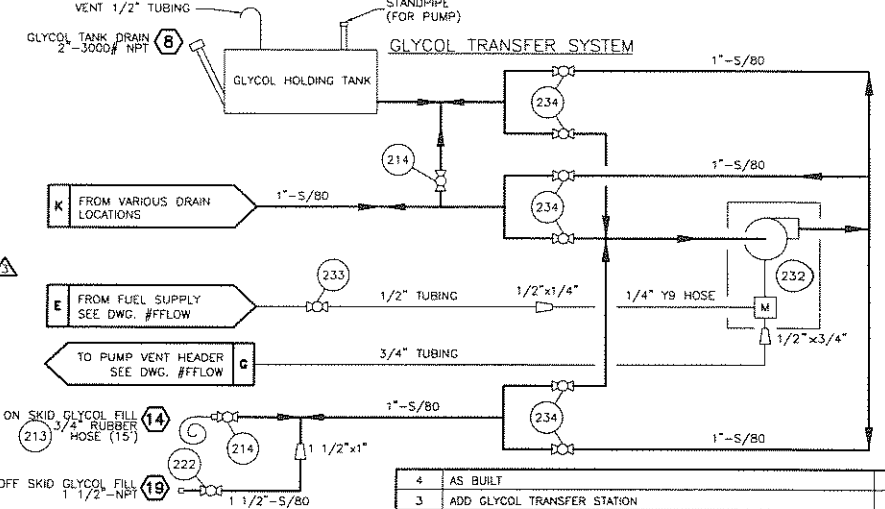
PROPRIETARY MATERIAL
 NOT TO BE RE-PRODUCED OR DISTRIBUTED
 WITHOUT THE PRIOR WRITTEN CONSENT OF
 TOROMONT ENERGY SYSTEMS INC.

TOROMONT ENERGY SYSTEMS
 JUN 02 2005
 AS BUILT
 PER

NOTES:
 1. FOR ALL OTHER NOTES & GENERAL INFORMATION SEE DWG. #PFLOW.

SERVICE:	TUBING	FITTINGS
PROCESS	304 (SS)	ZINC PLATED (S)
UTILITY (CONTACTING PROCESS)	304 (SS)	ZINC PLATED (S)
INSTRUMENT	304 (SS)	ZINC PLATED (S)
FRAME INTERNALS	304 (SS)	304 (SS)
SOUR:	316 (SS)	316 (SS)
UTILITY (CONTACTING PROCESS)	316 (SS)	316 (SS)
INSTRUMENT	304 (SS)	ZINC PLATED (S)
FRAME INTERNALS	304 (SS)	304 (SS)

No.	PART No.	DESCRIPTION	QUANTITY
201	TRC-104	CAP. RADIATOR, STANT, STN-10294, SET AT 15 PSIG	2
202	0038-0057-011	COUPLING, PIPE, DRESSER, 0038-0057-011, 6" PIPE, 1500 PSIG, MAX 212°F, STYLE 38, CARBON STEEL W/ BUNA S GASKET	2
203	0038-0051-011	COUPLING, PIPE, DRESSER, 0038-0051-011, 5" PIPE, 1029 PSIG, 212°F, STYLE 38, CARBON STEEL W/ BUNA S GASKET	2
204	11A306	COUPLING, PIPE, AEROCOUP, 1 1/2"	4
205	12C281	GLYCOL, UCATHERM, 50% ETHYLENE GLYCOL - 50% WATER (SEE STEP #921)	1725 L
206	BBE057	SIGHT GLASS, REDLINE, PEACOCK, 411001108, 0.625" OD, 330 PSIG @ 100 F, 12" LG	2
207	NPN	SURGE TANK, 20" x 60" LG., DUAL COMPARTMENT (DWG. #ST20X60D) (SEE STEP #621)	1
208	11A913	SWITCH, LEVEL, MURPHY, 45-LJ200, 2" MNPT, CSA, CLASS1, DIV. 1, GR. C.D.	2
209	-	-	-
210	BBA185	THERMOMETER, BI METALLIC, TREND, 33025A006G40, 0.5" MNPT, 0-250°F, 3" FACE, 4.0" PROBE, 0.250" OD, DUAL SCALE	4
211	37D002	THERMOWELL, 0.5" FNPT X 0.75" MNPT, 4.0" DEPTH, 0.260" BORE, 304 SS	6
212	BB45D4	CONNECTOR, BRAIDED, HALESON, 1.5" FNPT HEX HEAD BOTH ENDS, 500 PSIG @ 400°F, 12" LG, T321 SS HOSE, T304 SS BRAD, 5/40 C.S. NIPPLE, DUCTILE IRON HEX, CARBON STEEL FITTINGS	1
213	H1700.75K	HOSE 0.75" RUBBER 200PSI W.P./GOODYEAR SINGLE NYLON BRAID	15'
214	M22CR-1.0	VALVE, BALL, MERIDIAN, 1" FNPT, M22CR-1.0, 2000PSIG @ 100°F, ASTM A216 WCB, NACE MR01-75	12
215	0090-0004-082	COUPLING PIPE, DRESSER, 0090-0004-82, 1.5" PIPE, 150 PSIG MAX, 212°F, STYLE 90, CARBON STEEL W/ BUNA S GASKET	1
216	BBA608	VALVE, NEEDLE, CENTURY, CM2-3-M44T-B-V, 0.5" MNPT X 0.5" FNPT, 6000 PSIG @ 150°F, ASTM A108	2
217	11C	VALVE, GAUGE, DANIEL, 209-01-049C 11C, 0.5" FNPT X 0.625" TUBE, 1 SET, CARBON STEEL	2
218	BBE271	VALVE, GLOBE, NEWCO, 1.5" 2BT-FS2, 1.5" FNPT CLASS 800, 2000 PSIG @ 100 F, REG. PORT, ASTM A105	1
219	NPN	THERMOSTAT, AUXILIARY JACKET WATER, 215-3890, 130°F OUTLET (c/w ENGINE)	1
220	NPN	THERMOSTAT, ENGINE JACKET WATER, 117-9984, 180°F OUTLET (c/w ENGINE)	1
221	BBA909	VALVE, BUTTERFLY, INSERT, DEMCO, 6"-150#	4
222	M22CR-1.5	VALVE, BALL, MERIDIAN, M22CR-1.5, 1.5" FNPT, 2000 PSIG @ 150°F, ASTM A216 WCB, NACE MR01-75	5
223	0090-0004-082	COUPLING PIPE, DRESSER, 0090-0004-82, 1.5" PIPE, 150 PSIG MAX, 212°F, STYLE 90, CARBON STEEL W/ BUNA S GASKET	1
224	NPN	HEATER, GLYCOL, KIM HOTSTART, CLER 32404, 3/4 HP PUMP, 24 KW HEATER, 480V/3PH/60HZ 31.7 AMPS, (WIRED BY OTHERS)	1
225	BBA751	VALVE, BLEED, HOKE, 6610M2Y, 0.125" MNPT, 6000 PSIG @ -40 TO 160°F, STAINLESS STEEL	1
226	BBA306	VALVE, CHECK, WHEATLEY, 1" FNPT, 275 PSIG, MR01-75	1
227	-	-	-
228	NPN	THERMOCOUPLE, TYPE 'K', THERMOKINETICS, K-250-316-008.08-80X99, 0.25" O.D. x 8" LG. PROBE, 316SS, UNGROUNDED JUNCTION, 60" CAPILLARY	2
229	67CFR/0-35	REGULATOR, PRESSURE, FISHER, 67CFR-362, 0.5" FNPT, 0-35PSIG RANGE, 150 PSIG INLET, SILVER SPRING, ALUMINUM	1
230	M22CR-25	VALVE, BALL, MERIDIAN, 0.25" FNPT, M22CR-25, 2000PSIG@150°F, ASTM A216 WCB, NACE MR01-75	1
231	NPN	ACTUATOR, FISHER 656-30, C/W FIELDVUE DVC6010 POSITIONER c/w COOLER	2
△ TRANSFER PUMP STATION			
232	D73-525	PUMP, PNEUMATIC, DIAPHRAGM, GRACO, D73-525, 1" FNPT, MAX 100 PSIG SUPPLY, ALUMINUM	1
233	M22CR-5	VALVE, BALL, MERIDIAN, M22CR-5, 0.5" FNPT, 2000 PSIG @ 150°F, ASTM A216 WCB, NACE MR01-75	1
234	M22CR-1.0	VALVE, BALL, MERIDIAN, M22CR-1.0, 1" FNPT, 2000 PSIG @ 150°F, ASTM A216 WCB, NACE MR01-75	6



No.	REVISION	DATE	BY
4	AS BUILT	05-30-05	BM
3	ADD GLYCOL TRANSFER STATION	04-08-05	BM
2	ADD GLYCOL STORAGE TANK AND DRAIN DETAIL	03-11-05	BM
1	ISSUED FOR CONSTRUCTION	03-09-05	BM
0	ISSUED FOR APPROVAL	01-20-05	BM

PROPRIETARY MATERIAL: NOT TO BE REPRODUCED OR DISTRIBUTED WITHOUT THE PRIOR WRITTEN CONSENT OF TOROMONT ENERGY SYSTEMS INC.

TOROMONT ENERGY SYSTEMS	10121 - BARLOW TRAIL N.E. CALGARY ALBERTA CANADA
TITLE: WATER FLOW DIAGRAM CATERPILLAR 3606TAW-LE	CUSTOMER: PARAMOUNT RESOURCES LTD. DELTA SWEET GAS COMPRESSOR LSD: 7-15-32-18 WAW
SCALE: NONE	DATE: 01-20-05 BY: BM
STEP # 520	DATE RELEASED: 04/15/05 RELEASED BY: 700
UNIT # 31262	DRAWING NO.: 31262-WFLOW
	REV. 4