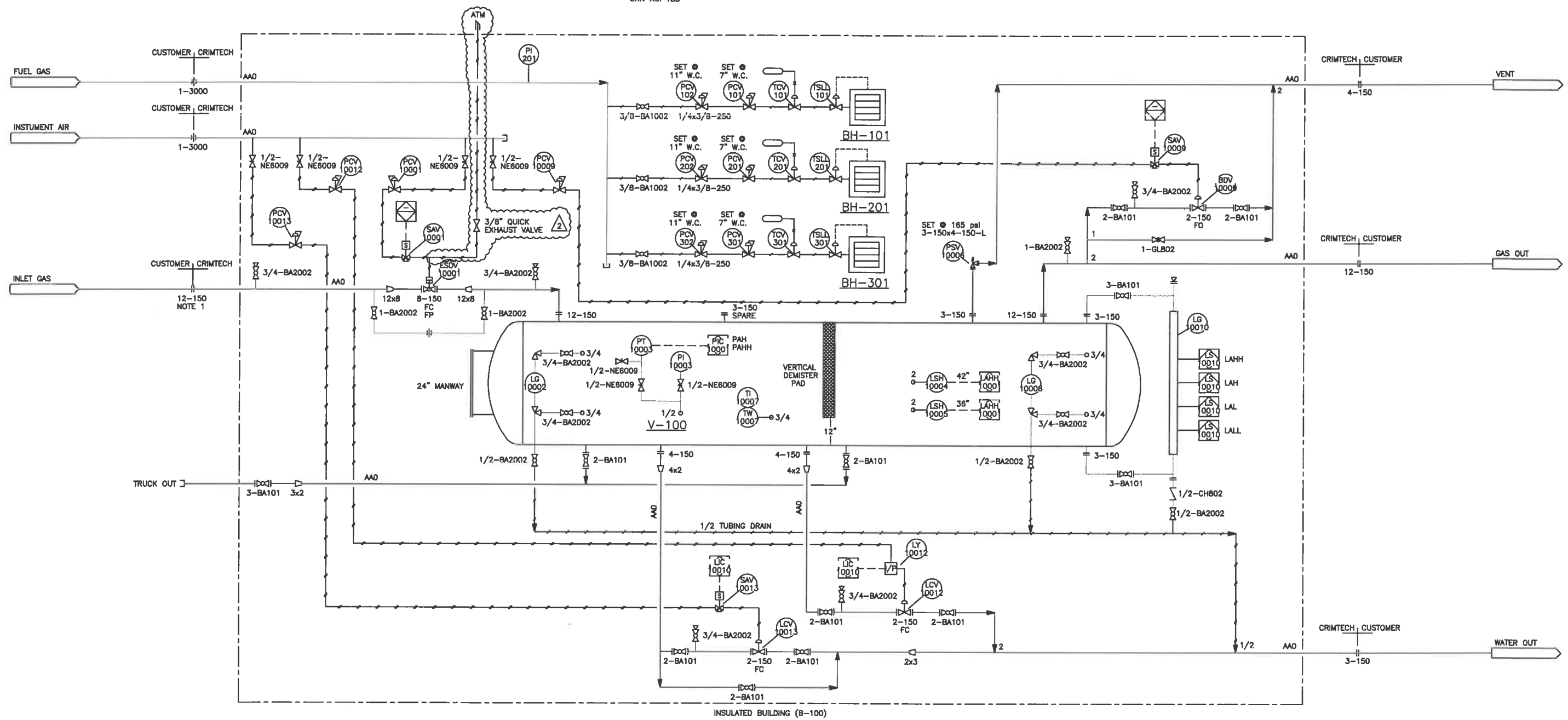


THIS DRAWING IS THE PROPERTY OF CRIMTECH SERVICES LTD. AND IS NOT TO BE COPIED, REPRODUCED OR DISTRIBUTED WITHOUT THE PRIOR WRITTEN CONSENT OF CRIMTECH SERVICES LTD.

V-100
72017 SEPARATOR
 72" ID x 240" S/S
 MAWP: 165 psi @ 100°F
 MDMT: -20°F @ MAWP
 CA: 1/16" (min)
 CRN No: TBD

BH-101/201/301
ENCLOSURE HEATER
 DUTY: 48000 BTU/HR
 MFR: CATADYNE
 MODEL No: WX 24 x 48
 120 VDC



NO.	DATE	REVISION DESCRIPTION	BY	CHECKED	REVIEW STAGE	APPD.	DATE
A	05 08 02	ISSUED FOR CLIENT APPROVAL	DJB	.	PROCESS	.	-
0	05 07 08	ISSUED FOR CONSTRUCTION	JMB	DJB	MECHANICAL	.	-
1	05 08 01	ADDED BALL VALVES AS PER CLIENT REQUEST	JMB	.	STRUCTURAL	.	-
2	05 09 13	ADDED QUICK EXHAUST VALVE	JMB	.	INSTRUMENT	.	-
.	ELECTRICAL	.	-
.	SHOP	.	-
.	Q.C.	.	-
.	ESTIMATOR	.	-

NOTES:

- MAXIMUM INLET PRESSURE 165 psi.
- ALL INSTRUMENT ARE VENTED OUTSIDE, AT LEAST 1.5M FROM ELECTRICAL PANEL.
- SET PRESSURES EXCLUDING PSV'S TO BE FIELD SET.
- UNIT DESIGNED TO MEET CRIMTECH PLANT AND FACILITIES PIPING SPECIFICATIONS AS SHOWN REV 3 03/10/01. WITH THE EXCEPTION OF THREADED PIPE 2" AND SMALLER TO BE SCH 160, AS WELL AS 316SS GASKETS.

PH 1-800-993-9958 www.crimtech.com

PATENT AND COPYRIGHT NOTICE

THIS DRAWING HAS NOT BEEN PUBLISHED AND IS THE SOLE PROPERTY OF CRIMTECH SERVICES LTD. AND IS LENT TO THE BORROWER FOR THEIR CONFIDENTIAL USE ONLY. NO PART OF THIS DRAWING MAY BE REPRODUCED OR TRANSMITTED IN ANY FORM OR BY ANY MEANS, ELECTRONIC OR MECHANICAL, FOR ANY PURPOSE, WITHOUT THE EXPRESS WRITTEN PERMISSION OF CRIMTECH SERVICES LTD. THE FLOORRIP WELLHEAD SEPARATOR AND FLOORRIP WELLHEAD SEPARATOR SYSTEM ARE PROTECTED BY CANADIAN PATENT 2,235,452 AND US PATENT 5,972,061.

TITLE SWEET GAS HORIZONTAL SEPARATOR PACKAGE MODEL NO. C72017X2H-000 PIPING AND INSTRUMENTATION DIAGRAM		
END USER TRIDENT EXPLORATION	CLIENT NUMBER TBD	SCALE NTS
ORDERED BY BDR ENGINEERING LTD	ORIGINAL DESIGN NUMBER 1011274	REV 2
LSD TBD	ORDER DRAWING NUMBER MF-4544250-01	

PRINTED Jul 17, 2017 11:49pm - Product: (544250)MF-4544250-01.dwg