

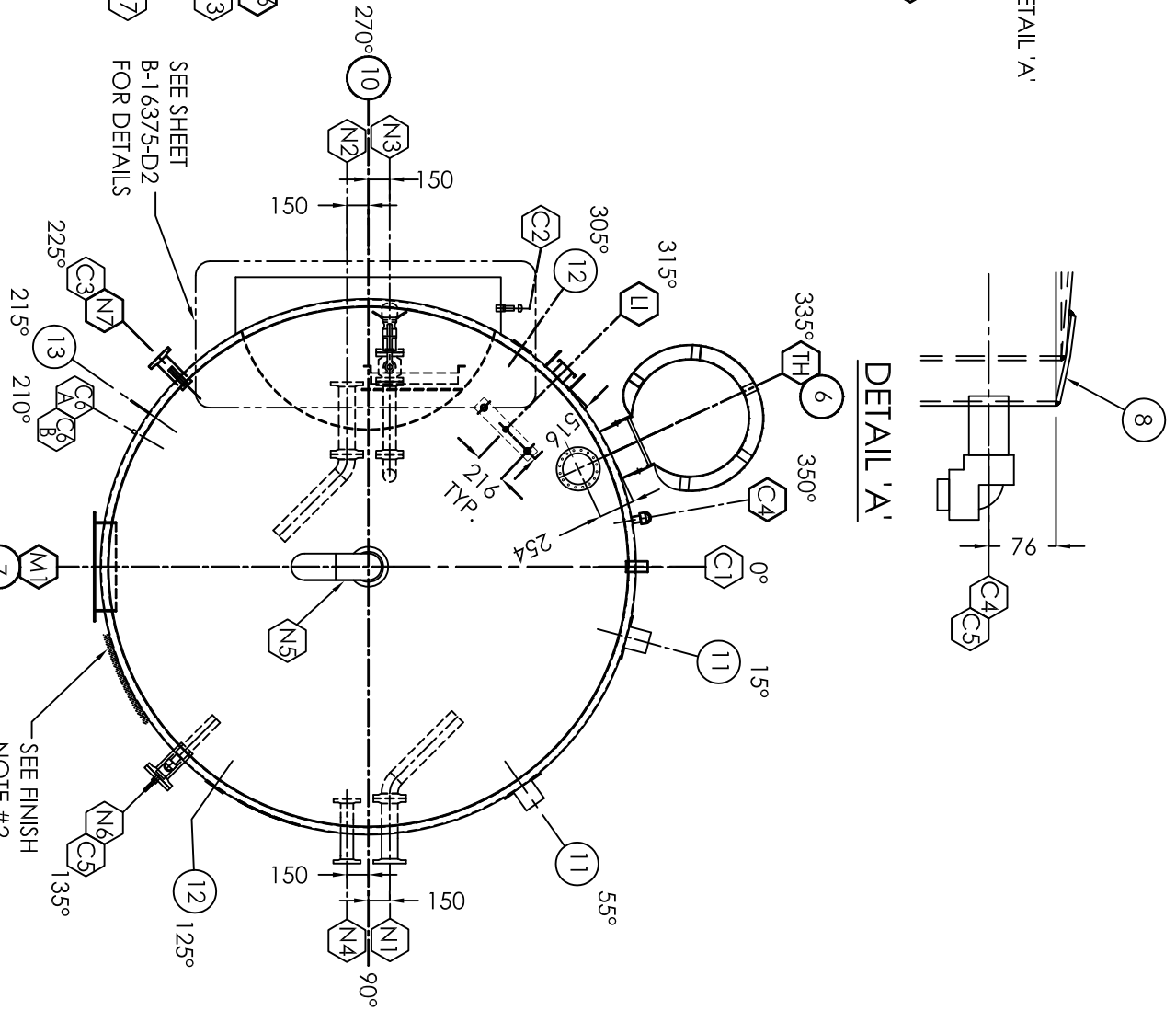
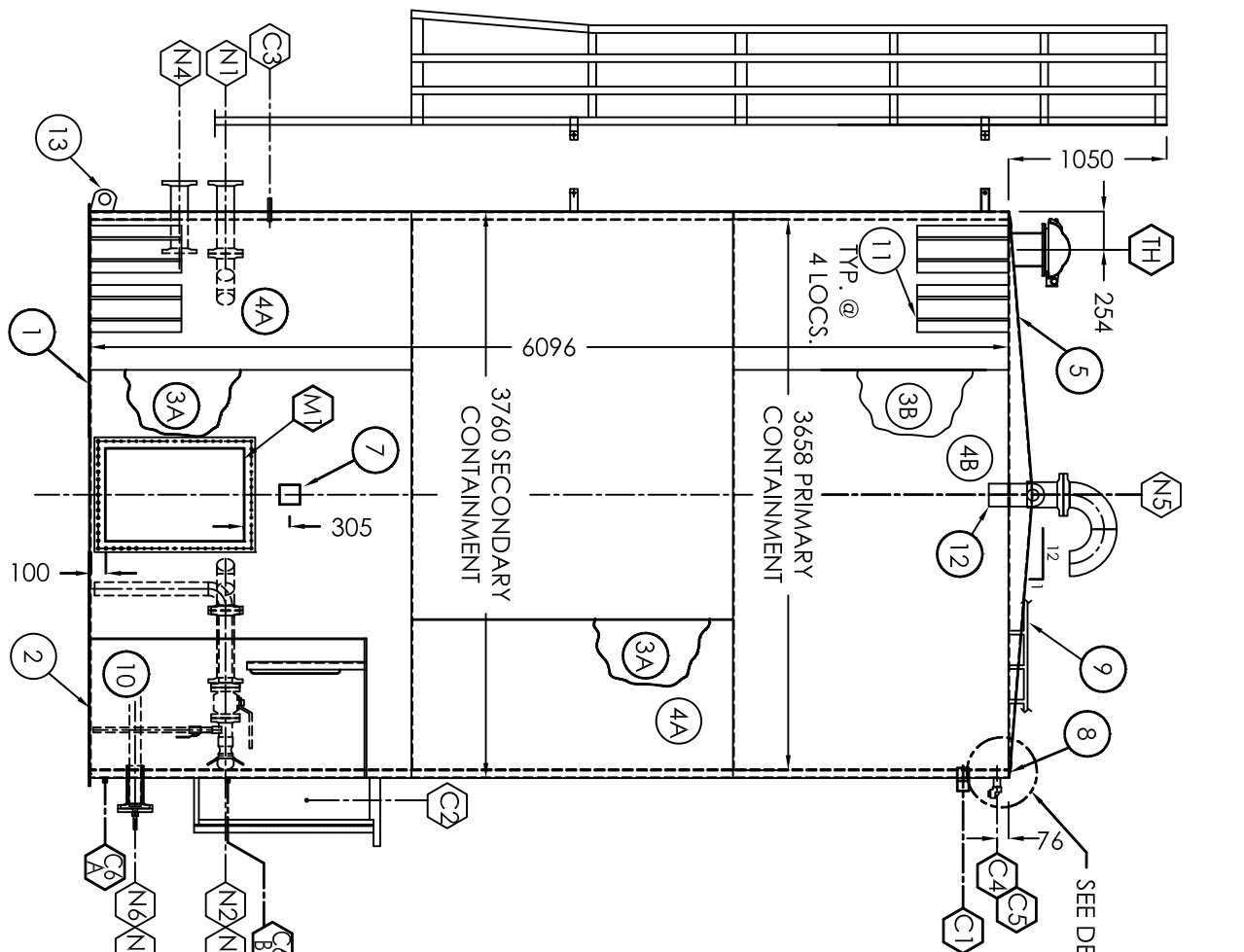
BILL OF MATERIALS

MARK	QTY	MATL	DESCRIPTION	SERVICE
1	1	A36	4.8 PL. x 38&2 DIA. FLAT BOTTOM	SECONDARY BOTTOM
2	1	A36	6.4 PL. x 3710 DIA. FLAT BOTTOM	PRIMARY BOTTOM
3A	2	A36	4.8 PL. x 2142 x 11492 LG. SHELLS	PRIMARY SHELL
3B	1	A36	4.8 PL. x 1829 x 11492 LG. SHELL	PRIMARY SHELL
4A	2	A36	4.8 PL. x 2142 x 11813 LG. SHELLS	SECONDARY SHELL
4B	1	A36	4.8 PL. x 1829 x 11813 LG. SHELLS	SECONDARY SHELL
5	1	A36	4.8 PL. x 3685 DIA. CONED ROOF	PRIMARY ROOF
6	1	A36	400 BBL CAGED LADDER (SEE SHIT. B-16375-CL FOR DETAILS)	
7	1	A36	NAMEPLATE & BRACKET	
8	2	A36	4.8 x 100 FLAT BAR ROLLED TO 37&0 O.D. (HARD WAY)	CLOSURE BAR
9	1	A36	400 BBL SAFETY TOE RAIL	
10	1	A36	ENVIRO VAULT MODEL # EV 6W&6H-112 c/w 1 - 24" x 24" CATADYNE HEATER	
11	4	A36	VAULT HEIGHT EQUAL TO 1829mm	
12	2	A36	HAULING PADS	
13	1	A36	LARGE LIFT LUGS	
11	2	316SS	33 DIA. (1") 3000# NPT CPLG.	
12	2	316SS	42 DIA. (1.1-1.4") 3000# NPT CPLG.	
13	1	316SS	AMGAS SOUR SERVICE LEVEL GAUGE w/ COMPLETE ASSEMBLY & METRIC LEVEL GAUGE BOARD	
M1	1	A36	610 x 914 (24" x 36") RECI. MANWAY (RAISED 100mm ABOVE FLOOR)	
TH	1	A36	7&2 x 10&6 RECTANGULAR SPLIT MANWAY COVER	
C1	1	A36	219 DIA. (8") ENARDO 6&0 SOUR SERVICE THIEF HATCH SET @ 1.6 OZ. PRESS./0.4 OZ VAC.	
C2	1	A36	8" ARGO FAB. THIEF HATCH EXTENSION	
C3	1	316SS	60 DIA. (2") 3000# NPT 152 (6") LG. FULL CPLG.	HLS
C4-C5	2	316SS	21 DIA. (1/2") 3000# NPT FULL CPLG.	FUEL GAS
C6A	1	316SS	21 DIA. (1/2") 3000# NPT FULL CPLG.	SIGHT GLASS CONN.
C6B	1	316SS	21 DIA. (1/2") 3000# NPT FULL CPLG.	SIGHT GLASS FOR DUAL CONTAINMENT TANKS
N1	2	A105	114 DIA. (4") 150# RFSO FLG.	INLET
N2	2	A105	114 DIA. (4") SCH STD. SMLS x 426 LG.	
N3	2	A105	89 DIA. (3") 150# RFSO FLG.	TRUCK OUT
N4	2	A105	89 DIA. (3") 150# RFSO FLG.	SPARE
N5	1	A105	1&8 DIA. (6") 150# RFSO FLG.	VENT
N6	1	A105	114 DIA. (4") 150# RFSO FLG.	ANODE
N7	1	A105	89 DIA. (3") 150# RFSO FLG.	DRAIN

CUSTOMER: TRIDENT EXPLORATION CORPORATION c/o BDR ENGINEERING LTD.
RUMSEY COMPRESSOR STATION 13-31-33-20-W4M
RPO# 53955-9

TITLE: ONE (1) 64 CU. M. (400 BBL)
3760 x 6096 HIGH
NON-SKIDDED DOUBLE WALL STORAGE TANK W/ CATADYNE HTR

APPROVED BY:	CHECKED BY:	DRAWN BY:	WE
DATE: 02/25/05	TAG #:	DRAWING#: B-16375	REV. 3
SHEET: 1 OF 4	SCALE:	SERIAL#: 16375	QUOTE #: TQ05-285



ELEVATION

ORIENTATION

MARK	ELEV.	PROJECTION	SERVICE	DESIGN NOTES
C1	5794mm	INTERNAL (APPROX.)	HLS	1) TANK TO BE BUILT AND TESTED TO API - 12E SPEC. MODIFIED (NON LABELLED)
C2	1194mm	N/A	FUEL GAS	2) ROOF/SHELL JOINTS NOT BE BACKWELDED TO MEET API-2000 SPECS.
C3	1194mm	N/A	TI	3) TANK TO BE AIR/SOAP LEAK TESTED TO 1.5 PSI.
C4	SEE DWG	N/A	SECONDARY VENT	4) REFER TO ORIENTATION DRAWING FOR PROPER LOCATION OF ALL NOZZLES, COUPLINGS, ETC.
C5	SEE DWG	N/A	SECONDARY VENT	5) ALL DIMENSIONS ARE IN mm.
C6A	100mm	N/A	SIGHT GLASS CONN.	6) STUDS / NUTS / GASKETS : B7M / 2HM / 316SS FLEX
C6B	914mm	N/A	SIGHT GLASS CONN.	7) SIGHT GLASS TO BE SHIPPED LOOSE.
N1	894mm	191mm	INLET	8) RECORD HEAT NUMBERS AND MTR'S.
N2	894mm	181mm	OUTLET	9) BOLT HOLES TO STRADDLE PRIMARY CENTER LINES.
N3	894mm	181mm	TRUCK OUT	10) CAGED LADDER TO BE SHIPPED LOOSE.
N4	594mm	188mm	SPARE	11) ANODE TO BE SHIPPED LOOSE.
N5	SEE DWG	25mm	VENT	
N6	294mm	203mm	ANODE	
N7	294mm	203mm	DRAIN	

NO.	REVISIONS	DATE
3	ISSUED FOR FABRICATION	08.03.05
2	RE-ISSUED FOR REVIEW/ APPROVAL	08.02.05
1	ISSUED FOR FINAL APPROVAL	07.13.05
0	ISSUED FOR REVIEW/APPROVAL	06.08.05

NO.	DESCRIPTION	BY	DATE
3	ISSUED FOR FABRICATION	RR	08.03.05
2	RE-ISSUED FOR REVIEW/ APPROVAL	RR	08.02.05
1	ISSUED FOR FINAL APPROVAL	RR	07.13.05
0	ISSUED FOR REVIEW/APPROVAL	WE	06.08.05